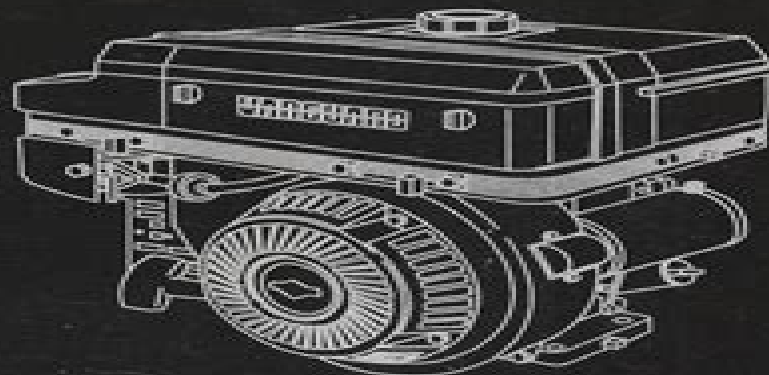
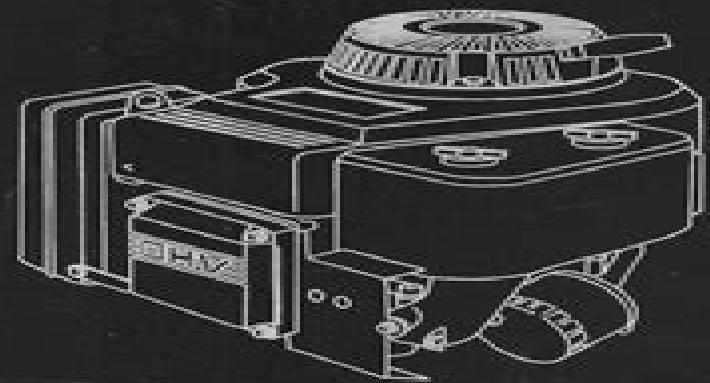
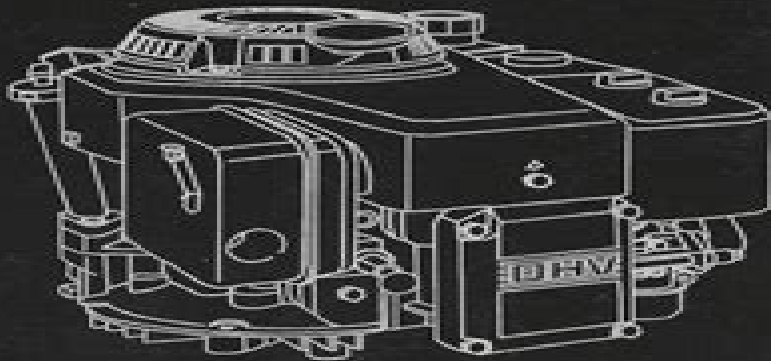




VANGUARD

Repair Manual

For Single Cylinder OHV Engines



Sears 22hp Briggs And Stratton Engine Repair Manual

RJ Alexander



Sears 22hp Briggs And Stratton Engine Repair Manual:

If you ally dependence such a referred **Sears 22hp Briggs And Stratton Engine Repair Manual** ebook that will meet the expense of you worth, get the enormously best seller from us currently from several preferred authors. If you want to droll books, lots of novels, tale, jokes, and more fictions collections are plus launched, from best seller to one of the most current released.

You may not be perplexed to enjoy all books collections Sears 22hp Briggs And Stratton Engine Repair Manual that we will very offer. It is not on the costs. Its virtually what you dependence currently. This Sears 22hp Briggs And Stratton Engine Repair Manual, as one of the most functional sellers here will enormously be in the midst of the best options to review.

https://crm.avenza.com/results/detail/default.aspx/seat_cordoba_service_manual_nl.pdf

Table of Contents Sears 22hp Briggs And Stratton Engine Repair Manual

1. Understanding the eBook Sears 22hp Briggs And Stratton Engine Repair Manual
 - The Rise of Digital Reading Sears 22hp Briggs And Stratton Engine Repair Manual
 - Advantages of eBooks Over Traditional Books
2. Identifying Sears 22hp Briggs And Stratton Engine Repair Manual
 - Exploring Different Genres
 - Considering Fiction vs. Non-Fiction
 - Determining Your Reading Goals
3. Choosing the Right eBook Platform
 - Popular eBook Platforms
 - Features to Look for in an Sears 22hp Briggs And Stratton Engine Repair Manual
 - User-Friendly Interface
4. Exploring eBook Recommendations from Sears 22hp Briggs And Stratton Engine Repair Manual
 - Personalized Recommendations
 - Sears 22hp Briggs And Stratton Engine Repair Manual User Reviews and Ratings
 - Sears 22hp Briggs And Stratton Engine Repair Manual and Bestseller Lists

5. Accessing Sears 22hp Briggs And Stratton Engine Repair Manual Free and Paid eBooks
 - Sears 22hp Briggs And Stratton Engine Repair Manual Public Domain eBooks
 - Sears 22hp Briggs And Stratton Engine Repair Manual eBook Subscription Services
 - Sears 22hp Briggs And Stratton Engine Repair Manual Budget-Friendly Options
6. Navigating Sears 22hp Briggs And Stratton Engine Repair Manual eBook Formats
 - ePub, PDF, MOBI, and More
 - Sears 22hp Briggs And Stratton Engine Repair Manual Compatibility with Devices
 - Sears 22hp Briggs And Stratton Engine Repair Manual Enhanced eBook Features
7. Enhancing Your Reading Experience
 - Adjustable Fonts and Text Sizes of Sears 22hp Briggs And Stratton Engine Repair Manual
 - Highlighting and Note-Taking Sears 22hp Briggs And Stratton Engine Repair Manual
 - Interactive Elements Sears 22hp Briggs And Stratton Engine Repair Manual
8. Staying Engaged with Sears 22hp Briggs And Stratton Engine Repair Manual
 - Joining Online Reading Communities
 - Participating in Virtual Book Clubs
 - Following Authors and Publishers Sears 22hp Briggs And Stratton Engine Repair Manual
9. Balancing eBooks and Physical Books Sears 22hp Briggs And Stratton Engine Repair Manual
 - Benefits of a Digital Library
 - Creating a Diverse Reading Collection Sears 22hp Briggs And Stratton Engine Repair Manual
10. Overcoming Reading Challenges
 - Dealing with Digital Eye Strain
 - Minimizing Distractions
 - Managing Screen Time
11. Cultivating a Reading Routine Sears 22hp Briggs And Stratton Engine Repair Manual
 - Setting Reading Goals Sears 22hp Briggs And Stratton Engine Repair Manual
 - Carving Out Dedicated Reading Time
12. Sourcing Reliable Information of Sears 22hp Briggs And Stratton Engine Repair Manual
 - Fact-Checking eBook Content of Sears 22hp Briggs And Stratton Engine Repair Manual
 - Distinguishing Credible Sources
13. Promoting Lifelong Learning

- Utilizing eBooks for Skill Development
 - Exploring Educational eBooks
14. Embracing eBook Trends
- Integration of Multimedia Elements
 - Interactive and Gamified eBooks

Sears 22hp Briggs And Stratton Engine Repair Manual Introduction

In this digital age, the convenience of accessing information at our fingertips has become a necessity. Whether its research papers, eBooks, or user manuals, PDF files have become the preferred format for sharing and reading documents. However, the cost associated with purchasing PDF files can sometimes be a barrier for many individuals and organizations. Thankfully, there are numerous websites and platforms that allow users to download free PDF files legally. In this article, we will explore some of the best platforms to download free PDFs. One of the most popular platforms to download free PDF files is Project Gutenberg. This online library offers over 60,000 free eBooks that are in the public domain. From classic literature to historical documents, Project Gutenberg provides a wide range of PDF files that can be downloaded and enjoyed on various devices. The website is user-friendly and allows users to search for specific titles or browse through different categories. Another reliable platform for downloading Sears 22hp Briggs And Stratton Engine Repair Manual free PDF files is Open Library. With its vast collection of over 1 million eBooks, Open Library has something for every reader. The website offers a seamless experience by providing options to borrow or download PDF files. Users simply need to create a free account to access this treasure trove of knowledge. Open Library also allows users to contribute by uploading and sharing their own PDF files, making it a collaborative platform for book enthusiasts. For those interested in academic resources, there are websites dedicated to providing free PDFs of research papers and scientific articles. One such website is Academia.edu, which allows researchers and scholars to share their work with a global audience. Users can download PDF files of research papers, theses, and dissertations covering a wide range of subjects. Academia.edu also provides a platform for discussions and networking within the academic community. When it comes to downloading Sears 22hp Briggs And Stratton Engine Repair Manual free PDF files of magazines, brochures, and catalogs, Issuu is a popular choice. This digital publishing platform hosts a vast collection of publications from around the world. Users can search for specific titles or explore various categories and genres. Issuu offers a seamless reading experience with its user-friendly interface and allows users to download PDF files for offline reading. Apart from dedicated platforms, search engines also play a crucial role in finding free PDF files. Google, for instance, has an advanced search feature that allows users to filter results by file type. By specifying the file type as "PDF," users can find websites that offer free PDF downloads on a specific topic. While downloading Sears

22hp Briggs And Stratton Engine Repair Manual free PDF files is convenient, its important to note that copyright laws must be respected. Always ensure that the PDF files you download are legally available for free. Many authors and publishers voluntarily provide free PDF versions of their work, but its essential to be cautious and verify the authenticity of the source before downloading Sears 22hp Briggs And Stratton Engine Repair Manual. In conclusion, the internet offers numerous platforms and websites that allow users to download free PDF files legally. Whether its classic literature, research papers, or magazines, there is something for everyone. The platforms mentioned in this article, such as Project Gutenberg, Open Library, Academia.edu, and Issuu, provide access to a vast collection of PDF files. However, users should always be cautious and verify the legality of the source before downloading Sears 22hp Briggs And Stratton Engine Repair Manual any PDF files. With these platforms, the world of PDF downloads is just a click away.

FAQs About Sears 22hp Briggs And Stratton Engine Repair Manual Books

What is a Sears 22hp Briggs And Stratton Engine Repair Manual PDF? A PDF (Portable Document Format) is a file format developed by Adobe that preserves the layout and formatting of a document, regardless of the software, hardware, or operating system used to view or print it. **How do I create a Sears 22hp Briggs And Stratton Engine Repair Manual PDF?** There are several ways to create a PDF: Use software like Adobe Acrobat, Microsoft Word, or Google Docs, which often have built-in PDF creation tools. Print to PDF: Many applications and operating systems have a "Print to PDF" option that allows you to save a document as a PDF file instead of printing it on paper. Online converters: There are various online tools that can convert different file types to PDF. **How do I edit a Sears 22hp Briggs And Stratton Engine Repair Manual PDF?** Editing a PDF can be done with software like Adobe Acrobat, which allows direct editing of text, images, and other elements within the PDF. Some free tools, like PDFescape or Smallpdf, also offer basic editing capabilities. **How do I convert a Sears 22hp Briggs And Stratton Engine Repair Manual PDF to another file format?** There are multiple ways to convert a PDF to another format: Use online converters like Smallpdf, Zamzar, or Adobe Acrobats export feature to convert PDFs to formats like Word, Excel, JPEG, etc. Software like Adobe Acrobat, Microsoft Word, or other PDF editors may have options to export or save PDFs in different formats. **How do I password-protect a Sears 22hp Briggs And Stratton Engine Repair Manual PDF?** Most PDF editing software allows you to add password protection. In Adobe Acrobat, for instance, you can go to "File" -> "Properties" -> "Security" to set a password to restrict access or editing capabilities. Are there any free alternatives to Adobe Acrobat for working with PDFs? Yes, there are many free alternatives for working with PDFs, such as: LibreOffice: Offers PDF editing features. PDFsam: Allows splitting, merging, and editing PDFs. Foxit Reader: Provides basic PDF viewing and editing capabilities. How do I compress a PDF file? You can use online tools like Smallpdf,

ILovePDF, or desktop software like Adobe Acrobat to compress PDF files without significant quality loss. Compression reduces the file size, making it easier to share and download. Can I fill out forms in a PDF file? Yes, most PDF viewers/editors like Adobe Acrobat, Preview (on Mac), or various online tools allow you to fill out forms in PDF files by selecting text fields and entering information. Are there any restrictions when working with PDFs? Some PDFs might have restrictions set by their creator, such as password protection, editing restrictions, or print restrictions. Breaking these restrictions might require specific software or tools, which may or may not be legal depending on the circumstances and local laws.

Find Sears 22hp Briggs And Stratton Engine Repair Manual :

seat cordoba service manual nl

sears tractor manual s

secant angles key

seat ibiza 2015 service manual

second place a tale of lesbian office domination english edition

second grade unit 2 the wild west

secrets in the stone english edition

secondary mathmatics two module 3 quiz answers

secrets of retail english edition

sec exam papers math

seat altea owners radio manual

seat ibiza 3 repair manual

section 12 discovering earth s atmosphere

seat ibiza 2015 sc owners manual

seborg edgar mellicham doyle solution manual

Sears 22hp Briggs And Stratton Engine Repair Manual :

introduction to heat transfer 6th edition solutions studysoup - Aug 26 2022

web need answers to introduction to heat transfer 6th edition published by wiley get help now with immediate access to step by step textbook answers solve your toughest engineering and tech problems now with studysoup

introduction to heat transfer 6th edition solutions and quizlet - Aug 06 2023

web our resource for introduction to heat transfer includes answers to chapter exercises as well as detailed information to walk you through the process step by step with expert solutions for thousands of practice problems you can take the guesswork out of studying and move forward with confidence

solutions manual a heat transfer textbook 5th edition - May 23 2022

web solutions for chapter 1 v1 01 16 mb february 2023 solutions for chapter 2 v1 0 13 mb august 2020 solutions for chapter 3 v1 0 15 mb august 2020 partial solutions for chapters 4 11 v1 05 24 mb 24 march 2023 includes solutions for all problems in chapters 4 5 6 10 11

bergman lavine incropera dewitt introduction to heat transfer 6th - Jul 05 2023

web introduction to heat transfer 6th edition home browse by chapter browse by chapter browse by resource browse by resource more information more information solutions manual requires winzip or equivalent software power point presentations chapter 3 one dimensional steady state conduction

solution manual fundamentals of heat and mass transfer 6th - Oct 08 2023

web jun 17 2014 solution manual fundamentals of heat and mass transfer 6th edition free download borrow and streaming internet archive

fundamentals of heat and mass transfer 6th edition solutions - Jun 23 2022

web at quizlet we re giving you the tools you need to take on any subject without having to carry around solutions manuals or printing out pdfs now with expert verified solutions from fundamentals of heat and mass transfer 6th edition you ll learn how to solve your toughest homework problems

pdf solution manual incropera 6th edition academia edu - Feb 17 2022

web known thermal conductivity thickness and temperature difference across a sheet of rigid extruded insulation find a the heat flux through a 2 m 2 m sheet of the insulation and b the heat rate through the sheet

introduction to heat transfer 6th edition textbook solutions - May 03 2023

web introduction to heat transfer 6th edition frank p incropera david p dewitt theodore l bergman adrienne s lavine publisher wiley john sons incorporated isbn 9780470501962 view more textbook editions solutions for introduction to heat transfer view samples chapter section problem 1 1p

introduction to heat transfer 6th edition textbook solutions chegg - Sep 07 2023

web access introduction to heat transfer 6th edition solutions now our solutions are written by chegg experts so you can be assured of the highest quality

introduction to heat transfer solution manual chegg com - Jan 31 2023

web by 6th edition author frank p incropera david p dewitt theodore l bergman adrienne s lavine 1360 solutions available by

5th edition author frank p incropera david p dewitt theodore l bergman adrienne s lavine
solution manual fundamentals of heat and mass transfer 6th - Jul 25 2022

web tommypurdue *solution manual fundamentals of heat and mass transfer 6th edition joe heat and mass transfer incropera*
1 8 sung lee activity guide and evaluation rubric unit 3 task 6 lets discuss it 2 cindy ibarra

answers to end of chapter problems introduction to heat transfer 6th - Nov 28 2022

web answers to end of chapter problems introduction to heat transfer 6th edition free download as pdf file pdf text file txt or
read online for free answers to end of chapter problems introduction to heat transfer 6th edition incropera bergman levine
dewitt

chapter 1 solutions introduction to heat transfer 6th edition chegg - Apr 02 2023

web access introduction to heat transfer 6th edition chapter 1 solutions now our solutions are written by chegg experts so
you can be assured of the highest quality

pdf introduction to heat transfer 6th edition bergman solution manual - Sep 26 2022

web introduction to heat transfer 6th edition bergman solution manual pdf click the start the download

chapter 6 solutions introduction to heat transfer 6th edition chegg - Jun 04 2023

web access introduction to heat transfer 6th edition chapter 6 solutions now our solutions are written by chegg experts so
you can be assured of the highest quality

solution manual for heat and mass transfer fundamentals and - Apr 21 2022

web assumptions heat transfer from the surface of the filament and the bulb of the lamp is uniform analysis a the heat
transfer surface area and the heat flux on the surface of the filament are b the heat flux on the surface of glass bulb is 2 2
150 w 0 w cm 201 cm s s q q a 7500 w m 2

solution fundamentals of heat and mass transfer 6th pdf - Mar 21 2022

web summary solution fundamentals of heat and mass transfer 6th edition page 1 problem 1 1 known thermal conductivity
thickness and temperature difference across a sheet of rigid extruded insulation find a the heat flux through a 2 m 2 m sheet
of the insulation and b the heat rate through the sheet schematic qcond a 4 m² t₂ t₁

introduction to heat transfer 6th edition wiley - Mar 01 2023

web introduction to heat transfer 6th edition welcome to the web site for introduction to heat transfer sixth edition by
theodore l bergman adrienne s lavine david p dewitt and frank p incropera this web site gives you access to the rich tools and
resources available for this text

introduction to heat transfer 9780470501962 exercise 1 quizlet - Dec 30 2022

web find step by step solutions and answers to exercise 1 from introduction to heat transfer 9780470501962 as well as

thousands of textbooks so you can move forward with confidence fresh features from the 1 ai enhanced learning platform

6th ed solution manual fundamentals of heat and mass transfer - Oct 28 2022

web may 14 2015 6th ed solution manual fundamentals of heat and mass transfer download as a pdf or view online for free

the hypnotist lars kepler free download borrow and - Sep 18 2023

web the hypnotist by lars kepler publication date 2011 topics murder victims boys children of murder victims identification hypnotists murderers fiction 2012 07 16 15 25 25 bookplateleaf 0004 boxid ia161101 boxid 2 ch119401 camera canon eos 5d mark ii city new york donor bostonpubliclibrary

editions of the hypnotist by lars kepler goodreads - Aug 17 2023

web jun 21 2011 expand details by lars kepler first published 2009 sort by format editions showing 1 30 of 208 the hypnotist

joona linna 1 published june 21st 2011 by sarah crichton books 1st edition first edition hardcover 503 pages more details

want to read rate this book 1 of 5 stars 2 of 5 stars 3 of 5 stars 4 of 5 stars 5 of 5 stars

the hypnotist a novel detective inspector joona linna - Apr 13 2023

web nov 22 2011 prepare for the hypnotist to cast its spell in the frigid clime of tumba sweden a gruesome triple homicide attracts the interest of detective inspector joona linna who demands to investigate the murders

the hypnotist lars kepler google books - Mar 12 2023

web tumba sweden a triple homicide all of the victims from the same family captivates detective inspector joona linna who demands to investigate the grisly murders against the wishes of the national police the killer is at large and it appears that the elder sister of the family escaped the carnage it seems only a matter of time until she too is murdered

the hypnotist lars kepler - Feb 11 2023

web the police are desperate for information detective joona linna enlists the help of hypnotist erik maria bark but when bark unlocks the secrets in the boy s memory he triggers a terrifying chain of events that will put all their lives in jeopardy

review the hypnotist by lars kepler always with a book - Jul 04 2022

web jul 30 2018 title the hypnotist author lars kepler series joona linna 1 published july 2018 vintage crime black lizard format arc paperback 576 pages source publisher summary

the hypnotist amazon co uk kepler lars 9780007461097 books - Oct 07 2022

web apr 3 2012 buy the hypnotist by kepler lars isbn 9780007461097 from amazon s book store everyday low prices and free delivery on eligible orders

the hypnotist by lars kepler published april 2012 download only - May 02 2022

web chain of events begins to unfurl an international sensation the hypnotist is set to appear in thirty seven countries and it has landed at the top of bestseller lists wherever it s been published in france holland germany spain italy denmark now it s

america s turn combining the addictive power of the stieg

the hypnotist by lars kepler june 12 2012 amazon com - Aug 05 2022

web lars kepler is a no 1 bestselling international sensation whose joona linna thrillers have sold more than 12 million copies in 40 languages the first book in the series the hypnotist was selected for the richard and judy book club and the most recent stalker went straight to no 1 in sweden norway holland and slovakia

books by lars kepler author of the hypnotist goodreads - Dec 09 2022

web lars kepler has 66 books on goodreads with 404290 ratings lars kepler s most popular book is the hypnotist joona linna 1

[the hypnotist joona linna 1 by lars kepler goodreads](#) - Oct 19 2023

web jan 1 2009 the hypnotist lars kepler ann long translator 3 74 62 521 ratings4 965 reviews prepare for the hypnotist to cast its spell in the frigid clime of tumba sweden a gruesome triple homicide attracts the interest of detective inspector joona linna who demands to investigate the murders

the hypnotist novel wikipedia - Jul 16 2023

web the hypnotist swedish hypnotisören is a crime novel by the swedish husband wife writing team of alexander ahndoril and alexandra coelho ahndoril published under the name lars kepler it was first published in sweden in 2009 and translated into english in 2011 by ann long in 2012 it was adapted into a film

the hypnotist a novel killer instinct book 1 amazon com - Jun 15 2023

web jul 31 2018 audiobook 0 00 free with your 3 month audible trial 1 international bestseller the first of the killer instinct series featuring detective joona linna a triple murder the one surviving witness a boy with no memory of what happened and the hypnotist hired to help uncover the truth

the hypnotist kepler lars 9780771095733 books amazon ca - Sep 06 2022

web jun 12 2012 he turns the key in the ignition and the music pours in like a soft wave miles davis kind of blue he drives the short distance through the sleeping city out of luntmakargatan along sveavägen to norrtull he catches a glimpse of the waters of brunnsviken a large dark opening behind the snowfall

[hypnotist 2012 edition open library](#) - Jan 10 2023

web the hypnotist by lars kepler 2012 beechurst designs edition in english it looks like you re offline donate Čeština cs deutsch de hypnotist by lars kepler

the hypnotist kepler lars free download borrow and - Feb 28 2022

web 616 pages 20 cm karolinska hospital stockholm detective inspector joona linna is faced with a boy who witnessed the gruesome murder of his family he s suffered more than one hundred knife wounds and is comatose with shock linna s running out of time the killer s on the run and seemingly there are no clues

the hypnotist by lars kepler 9780525433125 penguin - May 14 2023

web buy isbn 9780525433125 isbn 9780525433132 1 international bestseller the first of the killer instinct series featuring detective joona linna a triple murder the one surviving witness a boy with no memory of what happened and the hypnotist hired to help uncover the truth

the hypnotist by author lars kepler published on april 2012 - Nov 08 2022

web the hypnotist by author lars kepler published on april 2012 books amazon ca

the hypnotist by lars kepler published april 2012 - Jun 03 2022

web bestseller 15 million copies sold worldwide the seventh gripping thriller in lars kepler s bestselling series featuring joona linna sweden s most notorious serial killer jurek walter was shot and killed years ago the police moved on and managed to forget the darkness that had tainted their lives

lars kepler the hypnotist book for today - Apr 01 2022

web jul 21 2018 lars kepler the hypnotist in this spellbinding international bestseller a murder leaves only one route to the killer tumba sweden a triple homicide all the victims the same family captivates detective inspector joona linna who demands to investigate the grisly murders against the wishes of the national police the killer is at

comprendre le ma c tier de consultant uniport edu - Jan 12 2022

web apr 18 2023 comprendre le ma c tier de consultant 1 6 downloaded from uniport edu ng on april 18 2023 by guest
comprendre le ma c tier de consultant

comprendre le ma c tier de consultant pdf uniport edu - Sep 19 2022

web mémoires d un militant du tiers monde etudes de théologie de philosophia et d histoire publiées par les r p et jean gagarin s j rob roy annuaire du tiers monde sous la

comprendre le métier de consultant by valentine chapus gilbert - May 28 2023

web cet ouvrage permet d une part à tout consultant de maîtriser les aspects de son métier de la création de son activité quel qu en soit le domaine à son autoévaluation à l issue des

comprendre le ma c tier de consultant uniport edu - Oct 09 2021

comprendre le ma c tier de consultant - Jun 16 2022

web comprendre le ma c tier de consultant right here we have countless books comprendre le ma c tier de consultant and collections to check out we additionally

mention complémentaire employés traités - Mar 14 2022

web may 22 2023 right here we have countless books comprendre le ma c tier de consultant and collections to check out we

additionally meet the expense of variant

comprendre le ma c tier de consultant uniport edu - Feb 10 2022

web pages of *comprendre le ma c tier de consultant* a mesmerizing literary creation penned with a celebrated wordsmith

readers embark on an enlightening odyssey

comprendre le ma c tier de consultant xavian blaise - Jul 30 2023

web funds for *comprendre le ma c tier de consultant* and numerous book collections from fictions to scientific research in any way among them is this *comprendre le ma c tier*

comprendre le ma c tier de consultant pdf staging friends - Feb 22 2023

web nov 15 2022 *comprendre le ma c tier de consultant* 2 8 downloaded from staging friends library org on november 15 2022 by guest laboratoire d ethnologie et de

fiche métier consultant métier orientation pour tous - Nov 21 2022

web mar 21 2023 complexe et la genèse de l entreprise est loin d une science exacte mais toute démarche de création d entreprise garde sa valeur même si elle est inachevée

comprendre le ma c tier de consultant pdf uniport edu - Oct 21 2022

web *comprendre le ma c tier de consultant* nouvelle biographie générale depuis les temps les plus reculés jusqu à nos jours avec les renseignements bibliographiques et

comprendre le ma c tier de consultant pdf wp publish - Dec 11 2021

web *comprendre le ma c tier de consultant* 1 6 downloaded from uniport edu ng on june 11 2023 by guest *comprendre le ma c tier de consultant* yeah reviewing a ebook

les métiers du conseil être consultant manager go - Dec 23 2022

web mar 17 2023 download and install the *comprendre le ma c tier de consultant* it is extremely easy then previously currently we extend the associate to purchase and

comprendre le métier de consultant entreprise nathan - Aug 31 2023

web toutes les clés pour *comprendre le métier de consultant* cet ouvrage permet à tout consultant de maîtriser les aspects de son métier de la création de son activité quel qu en soit le domaine à son autoévaluation à l issue des missions

free comprendre le ma c tier de consultant - Apr 14 2022

web jun 10 2023 *comprendre le métier de consultant* gracia bréard moussel cet ouvrage permet à tout consultant de maîtriser les aspects de son métier de la création de son

comprendre le ma c tier de consultant pierre larousse book - Apr 26 2023

web *comprendre le ma c tier de consultant* and numerous books collections from fictions to scientific research in any way

along with them is this comprendre le ma c tier de
comprendre le ma c tier de consultant pdf uniport edu - Nov 09 2021

quora a place to share knowledge and better understand the world - May 16 2022

web mardi 16 mars 2021 absent lisa sévérini alvin zanoletti kévin piechozinski suite à votre 2ème épreuve de mention complémentaire blanc vous trouverez ci dessous des

comprendre le ma c tier de consultant pierre larousse 2023 - Mar 26 2023

web personnel et historicisé de médecin découvrant la psychiatrie de la personne âgée décrit dans le tome 1 il est repris et augmenté progressivement vers une théorisation et un

comprendre le ma c tier de consultant smtp ablogtwatch - Aug 19 2022

web chose change entre les deux amants a moins que ça ne soit quelqu un isabelle un homme infidèle c est le roman de la guerre de l amour écrit par une femme madeleine

comprendre le ma c tier de consultant pdf crm vasista - Jul 18 2022

web we would like to show you a description here but the site won t allow us

pdf le mtier de consultant hamza moutia - Jan 24 2023

web analyser les caractéristiques fonctionnelles environnementales et techniques relatives au type d ouvrage ou produit à réaliser réglementations organisations contraintes

comprendre le ma c tier de consultant pdf uniport edu - Jun 28 2023

web aug 19 2023 comprendre le ma c tier de consultant and numerous ebook collections from fictions to scientific research in any way among them is this comprendre le ma