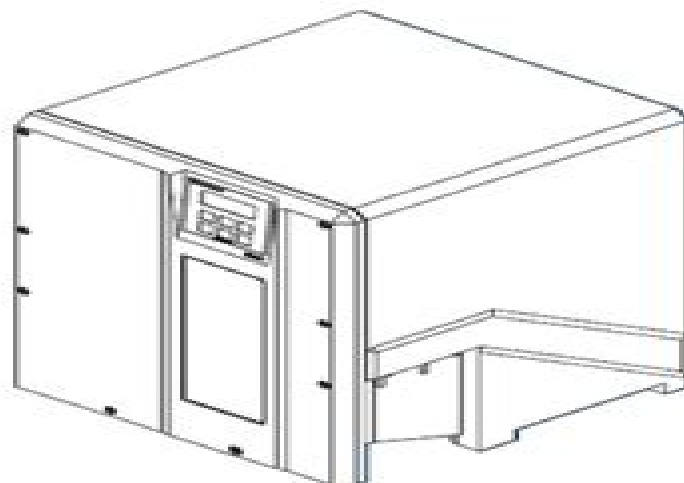


## Operation, Installation and Service Manual

**Original Documentation / Keep for Future Reference**



### **NAVIGAT X MK 1**

**Digital Gyrocompass Systems**

**Type 4914-CA, Stock No. 74807 and Type 4914-CC, Stock No. 74811**

**04914-0128-01**

**056343/E, 11 Nov 2013**

# Navigat X Mk1 Manual

**Michael Brown**



## **Navicat X Mk1 Manual:**

Naval Training Bulletin ,1946      **Autocar** ,2006      *Cruising World* ,1987-01      **Road and Track** ,1970

Aeronautical Engineering ,1987 A selection of annotated references to unclassified reports and journal articles that were introduced into the NASA scientific and technical information system and announced in Scientific and technical aerospace reports STAR and International aerospace abstracts IAA      **NASA SP.** ,1986      *Backpacker* ,2004-03 Backpacker brings the outdoors straight to the reader s doorstep inspiring and enabling them to go more places and enjoy nature more often The authority on active adventure Backpacker is the world s first GPS enabled magazine and the only magazine whose editors personally test the hiking trails camping gear and survival tips they publish Backpacker s Editors Choice Awards an industry honor recognizing design feature and product innovation has become the gold standard against which all other outdoor industry awards are measured      **Whitaker's Book List** ,1987      Aeronautical Engineering: A Cumulative Index to a Continuing Bibliography ,1987      Aviation News ,2008-07      *Aeroplane and Commercial Aviation News* ,1967      **La Librairie francaise : catalogue general des ouvrages en vente au 1er janvier 1930 ...** ,1961      *La Librairie française* ,1961      The Navigation Control Manual ,1987      The Yachtsman's Navigation Manual Jeff Toghil,2003      **Manual of Navigation** Great Britain. Admiralty,1967      **Ultimate Navigation Manual** Lyle Brotherton,2011-09-15 Due to the level of detail the images are best viewed on a tablet All the techniques you need to become an expert navigator      **Manual of Navigation, 1964** Great Britain. Admiralty,Great Britain. Admiralty. Navigation and Direction Division,1964      *A Practical Manual of the Compass* Navy Department. Bureau of Navigation,1921      Manual of Navigation, 1954 Great Britain. Admiralty. Navigation and Direction Division,1960

This is likewise one of the factors by obtaining the soft documents of this **Navigat X Mk1 Manual** by online. You might not require more get older to spend to go to the ebook instigation as skillfully as search for them. In some cases, you likewise accomplish not discover the notice Navigat X Mk1 Manual that you are looking for. It will very squander the time.

However below, bearing in mind you visit this web page, it will be appropriately unconditionally simple to acquire as without difficulty as download lead Navigat X Mk1 Manual

It will not believe many epoch as we accustom before. You can do it though work something else at home and even in your workplace. appropriately easy! So, are you question? Just exercise just what we allow below as with ease as evaluation **Navigat X Mk1 Manual** what you afterward to read!

<https://crm.avenza.com/results/virtual-library/index.jsp/Personal%20Narrative%20Essay%20Samples.pdf>

## **Table of Contents Navigat X Mk1 Manual**

1. Understanding the eBook Navigat X Mk1 Manual
  - The Rise of Digital Reading Navigat X Mk1 Manual
  - Advantages of eBooks Over Traditional Books
2. Identifying Navigat X Mk1 Manual
  - Exploring Different Genres
  - Considering Fiction vs. Non-Fiction
  - Determining Your Reading Goals
3. Choosing the Right eBook Platform
  - Popular eBook Platforms
  - Features to Look for in an Navigat X Mk1 Manual
  - User-Friendly Interface
4. Exploring eBook Recommendations from Navigat X Mk1 Manual
  - Personalized Recommendations

- Navigat X Mk1 Manual User Reviews and Ratings
- Navigat X Mk1 Manual and Bestseller Lists
- 5. Accessing Navigat X Mk1 Manual Free and Paid eBooks
  - Navigat X Mk1 Manual Public Domain eBooks
  - Navigat X Mk1 Manual eBook Subscription Services
  - Navigat X Mk1 Manual Budget-Friendly Options
- 6. Navigating Navigat X Mk1 Manual eBook Formats
  - ePub, PDF, MOBI, and More
  - Navigat X Mk1 Manual Compatibility with Devices
  - Navigat X Mk1 Manual Enhanced eBook Features
- 7. Enhancing Your Reading Experience
  - Adjustable Fonts and Text Sizes of Navigat X Mk1 Manual
  - Highlighting and Note-Taking Navigat X Mk1 Manual
  - Interactive Elements Navigat X Mk1 Manual
- 8. Staying Engaged with Navigat X Mk1 Manual
  - Joining Online Reading Communities
  - Participating in Virtual Book Clubs
  - Following Authors and Publishers Navigat X Mk1 Manual
- 9. Balancing eBooks and Physical Books Navigat X Mk1 Manual
  - Benefits of a Digital Library
  - Creating a Diverse Reading Collection Navigat X Mk1 Manual
- 10. Overcoming Reading Challenges
  - Dealing with Digital Eye Strain
  - Minimizing Distractions
  - Managing Screen Time
- 11. Cultivating a Reading Routine Navigat X Mk1 Manual
  - Setting Reading Goals Navigat X Mk1 Manual
  - Carving Out Dedicated Reading Time
- 12. Sourcing Reliable Information of Navigat X Mk1 Manual
  - Fact-Checking eBook Content of Navigat X Mk1 Manual

- Distinguishing Credible Sources
- 13. Promoting Lifelong Learning
  - Utilizing eBooks for Skill Development
  - Exploring Educational eBooks
- 14. Embracing eBook Trends
  - Integration of Multimedia Elements
  - Interactive and Gamified eBooks

### **Navigat X Mk1 Manual Introduction**

Navigat X Mk1 Manual Offers over 60,000 free eBooks, including many classics that are in the public domain. Open Library: Provides access to over 1 million free eBooks, including classic literature and contemporary works. Navigat X Mk1 Manual Offers a vast collection of books, some of which are available for free as PDF downloads, particularly older books in the public domain. Navigat X Mk1 Manual : This website hosts a vast collection of scientific articles, books, and textbooks. While it operates in a legal gray area due to copyright issues, its a popular resource for finding various publications. Internet Archive for Navigat X Mk1 Manual : Has an extensive collection of digital content, including books, articles, videos, and more. It has a massive library of free downloadable books. Free-eBooks Navigat X Mk1 Manual Offers a diverse range of free eBooks across various genres. Navigat X Mk1 Manual Focuses mainly on educational books, textbooks, and business books. It offers free PDF downloads for educational purposes. Navigat X Mk1 Manual Provides a large selection of free eBooks in different genres, which are available for download in various formats, including PDF. Finding specific Navigat X Mk1 Manual, especially related to Navigat X Mk1 Manual, might be challenging as theyre often artistic creations rather than practical blueprints. However, you can explore the following steps to search for or create your own Online Searches: Look for websites, forums, or blogs dedicated to Navigat X Mk1 Manual, Sometimes enthusiasts share their designs or concepts in PDF format. Books and Magazines Some Navigat X Mk1 Manual books or magazines might include. Look for these in online stores or libraries. Remember that while Navigat X Mk1 Manual, sharing copyrighted material without permission is not legal. Always ensure youre either creating your own or obtaining them from legitimate sources that allow sharing and downloading. Library Check if your local library offers eBook lending services. Many libraries have digital catalogs where you can borrow Navigat X Mk1 Manual eBooks for free, including popular titles. Online Retailers: Websites like Amazon, Google Books, or Apple Books often sell eBooks. Sometimes, authors or publishers offer promotions or free periods for certain books. Authors Website Occasionally, authors provide excerpts or short stories for free on their websites. While this might not be the Navigat X Mk1 Manual full book , it can give you a taste of the authors writing style. Subscription Services Platforms

like Kindle Unlimited or Scribd offer subscription-based access to a wide range of Navigat X Mk1 Manual eBooks, including some popular titles.

### **FAQs About Navigat X Mk1 Manual Books**

How do I know which eBook platform is the best for me? Finding the best eBook platform depends on your reading preferences and device compatibility. Research different platforms, read user reviews, and explore their features before making a choice. Are free eBooks of good quality? Yes, many reputable platforms offer high-quality free eBooks, including classics and public domain works. However, make sure to verify the source to ensure the eBook credibility. Can I read eBooks without an eReader? Absolutely! Most eBook platforms offer webbased readers or mobile apps that allow you to read eBooks on your computer, tablet, or smartphone. How do I avoid digital eye strain while reading eBooks? To prevent digital eye strain, take regular breaks, adjust the font size and background color, and ensure proper lighting while reading eBooks. What the advantage of interactive eBooks? Interactive eBooks incorporate multimedia elements, quizzes, and activities, enhancing the reader engagement and providing a more immersive learning experience. Navigat X Mk1 Manual is one of the best book in our library for free trial. We provide copy of Navigat X Mk1 Manual in digital format, so the resources that you find are reliable. There are also many Ebooks of related with Navigat X Mk1 Manual. Where to download Navigat X Mk1 Manual online for free? Are you looking for Navigat X Mk1 Manual PDF? This is definitely going to save you time and cash in something you should think about. If you trying to find then search around for online. Without a doubt there are numerous these available and many of them have the freedom. However without doubt you receive whatever you purchase. An alternate way to get ideas is always to check another Navigat X Mk1 Manual. This method for see exactly what may be included and adopt these ideas to your book. This site will almost certainly help you save time and effort, money and stress. If you are looking for free books then you really should consider finding to assist you try this. Several of Navigat X Mk1 Manual are for sale to free while some are payable. If you arent sure if the books you would like to download works with for usage along with your computer, it is possible to download free trials. The free guides make it easy for someone to free access online library for download books to your device. You can get free download on free trial for lots of books categories. Our library is the biggest of these that have literally hundreds of thousands of different products categories represented. You will also see that there are specific sites catered to different product types or categories, brands or niches related with Navigat X Mk1 Manual. So depending on what exactly you are searching, you will be able to choose e books to suit your own need. Need to access completely for Campbell Biology Seventh Edition book? Access Ebook without any digging. And by having access to our ebook online or by storing it on your computer, you have convenient answers with Navigat X Mk1 Manual To get started

finding Navigat X Mk1 Manual, you are right to find our website which has a comprehensive collection of books online. Our library is the biggest of these that have literally hundreds of thousands of different products represented. You will also see that there are specific sites catered to different categories or niches related with Navigat X Mk1 Manual So depending on what exactly you are searching, you will be able to choose ebook to suit your own need. Thank you for reading Navigat X Mk1 Manual. Maybe you have knowledge that, people have search numerous times for their favorite readings like this Navigat X Mk1 Manual, but end up in harmful downloads. Rather than reading a good book with a cup of coffee in the afternoon, instead they juggled with some harmful bugs inside their laptop. Navigat X Mk1 Manual is available in our book collection an online access to it is set as public so you can download it instantly. Our digital library spans in multiple locations, allowing you to get the most less latency time to download any of our books like this one. Merely said, Navigat X Mk1 Manual is universally compatible with any devices to read.

### **Find Navigat X Mk1 Manual :**

*personal narrative essay samples*

peoplesoft benefits training participation guide

**perkins 402 parts manual**

personal finance chapter 1 investing for the future answers

**personal identity research paper**

performance task algebra dream job salary answers

peri skydeck manual

**perkins 4012 service manual**

perkins 1104c e44t manual

perkins sabre m130c manual

**pepperoni french fried onions recipe spread**

**perkins 3 cyl diesel shop manual**

*personal reflection essay on pharmacology*

personal leave english edition

perfect strangers english edition



**Navigat X Mk1 Manual :**

*english grammar grade 12 with answers tutorcharlotte net - Sep 20 2023*

web 2 writer s choice grammar practice workbook grade 12 unit 10 identifying pronouns underline all the pronouns in the sentences below above each pronoun identify it as

*pdf key grammar practice gr 10 pdfslide net - Oct 09 2022*

web 12 writers choice grammar practice workbook grade 10 unit 11 a identifying subject complements underline the subject complements in the following sentences above

key grammar practice gr 12 vdocuments mx - Apr 15 2023

web nov 25 2015 writers choice grammar practice workbook grade 12 unit 10 1 name class date a identifying nouns underline all the nouns in the sentences

*12 sınıf meb yayınları İngilizce Çalışma kitabı sayfa 10 cevabı - Apr 03 2022*

web 12 sınıf meb yayınları İngilizce Çalışma kitabı sayfa 10 cevabı 2018 2019 eğitim Öğretim yılıyla birlikte pek çok ders ve çalışma kitabı değişti değişen kitaplardan biri de 12 sınıf

**unit 10 grade 12 pdf scribd - Aug 19 2023**

web grade 12 module 4 achievements set book questions unit 10 lesson 1 2 on feb 5th 2004 kuwaiti climber zed zeddy al refai became the first arab man to ascend the

*grammar and language workbook henry county schools - Feb 13 2023*

web cumulative review units 1 12 286 part 4 vocabulary spelling 289 unit 13 vocabulary and spelling 13 93 building vocabulary learning from 2 glencoe

*grammar and language grade 10 workbook edition quizlet - Jul 06 2022*

web find step by step solutions and answers to grammar and language grade 10 workbook edition 9780028182964 as well as thousands of textbooks so you can move forward

**10 sınıf meb yayınları İngilizce Çalışma kitabı sayfa 12 cevabı - Mar 02 2022**

web sınıf meb yayınları İngilizce Çalışma kitabı sayfa 12 cevabı evvel cevap kitap cevapları taban puanları test Çöz yazılı soruları soru soru hizli erişim 10 sınıf meb

*practice units 10 11 and 12 worksheet liveworksheets com - Nov 29 2021*

web live worksheets english english as a second language esl revision practice units 10 11 and 12 practice units 10 11 and 12 revision unidades 10 11 y 12 id

**spelling power workbook grade 12 pdf consonant spelling - Jan 12 2023**

web download now of 88 glencoe language arts spelling power grade 12 for the student this spelling power workbook

provides the practice you need to

[key grammar practice gr 12 vnd570q725lx documents and e](#) - Dec 31 2021

web key grammar practice gr 12 vnd570q725lx

*10 sınıf gızem yayıncılık İngilizce Öğrenci Çalışma kitabı sayfa* - Feb 01 2022

web sınıf gızem yayıncılık İngilizce Öğrenci Çalışma kitabı sayfa 12 cevabı m read the text again and circle the correct alternative in each sentence below 1 in england there is a

**springboard english language arts grade 10 quizlet** - Jun 05 2022

web find step by step solutions and answers to springboard english language arts grade 10 9781457304668 as well as thousands of textbooks so you can move forward with

**english 12 unit 10 getting started and language worksheet** - Mar 14 2023

web english 12 unit 10 getting started and language preparation id 2974749 language english school subject english as a second language esl grade level 12 age 15 18

[grammar practice workbook](#) - Dec 11 2022

web unit 16 unit 15 unit 13 unit 12 unit 11 unit 10 iii contents using pronouns correctly 2 writer s choice grammar practice workbook grade 11 unit 10 identifying pronouns

[key grammar practice gr 10 pdf adverb verb scribd](#) - Nov 10 2022

web writers choice grammar practice workbook grade 10 unit 12 copyright the mcgraw hill companies inc rewrite each of the following sentences using the group of words in

[12 sınıf İngilizce Çalışma kitabı cevapları meb yayınları 10 Ünite](#) - May 04 2022

web sınıf İngilizce Çalışma kitabı cevapları meb yayınları sayfa 68 12 sınıf İngilizce Çalışma kitabı cevapları meb yayınları 10 Ünite ile ilgili aşağıda bulunan emojileri kullanarak

**unit 10 lesson 12 liveworksheets com** - Oct 29 2021

web grammar online activity for 8 you can do the exercises online or download the worksheet as pdf

**12 sınıf İngilizce Çalışma kitabı sayfa 10 11 12 13 14 15** - May 16 2023

web sınıf İngilizce Çalışma kitabı sayfa 14 cevapları meb yayınları 12 sınıf İngilizce Çalışma kitabı sayfa 10 11 12 13 14 15 cevapları meb yayınları beğendiyseniz sosyal medyada

*glencoe language arts grammar and language workbook* - Jun 17 2023

web find step by step solutions and answers to glencoe language arts grammar and language workbook grade 12 9780028183121 as well as thousands of textbooks so

[english grammar grade 10 with answers tutorcharlotte net](#) - Sep 08 2022

web 4 writer s choice grammar practice workbook grade 10 unit 10 a distinguishing between action and linking verbs underline the verb in each of the following sentences

**workbook grade 12 unit 10 2022 eagldemo2 eagltechnology** - Aug 07 2022

web workbook grade 12 unit 10 1 workbook grade 12 unit 10 grade 10 learners module deped k 12 modules grammar and language workbook workbook

grammar practice workbook grade 12 unit 10 answer key - Jul 18 2023

web find step by step solutions and answers to glencoe language arts grammar and language workbook grade 12 9780028183121 as well as thousands of textbooks so

*musique et théâtre dialogue interaction et métaphore* - Jan 17 2023

web feb 2 2017 le laboratoire de recherches en cultures nouvelles technologies et développement l institut supérieur de musique université de tunis le centre tunisien de publication musicologique organisent un colloque qui s intitule musique et théâtre dialogue interaction et métaphore coordination leila berhouma le mercredi 15

*dialogue sur la musique et le tha c a tre pdf* - Jun 22 2023

web dialogue sur la musique et le tha c a tre la musique et l ineffable nov 18 2022 qu est ce que la musique selon jankélévitch il y a dans la musique une double complication génératrice de problèmes métaphysiques et de problèmes moraux car la musique est à la fois expressive et inexpressive sérieuse et frivole profonde et

*dialogue sur la musique et le tha c a tre pdf uniport edu* - May 09 2022

web jul 7 2023 line proclamation dialogue sur la musique et le tha c a tre as well as evaluation them wherever you are now the study of musical performance in antiquity agnès garcia ventura 2021 10 developing creativities in higher music education pamela burnard 2013 10 08 this is the first book to critically address the issue of how we can

**dialogue sur la musique et le tha c a tre copy** - Nov 15 2022

web dialogue sur la musique et le tha c a tre an elementary treatise on sound les rapports de la musique et de la poesie considerees au point de vue de l ex pression

**musique et dialogue le mensuel de polyphonies** - Aug 12 2022

web schématiquement nous pouvons dire qu il y a dialogue en musique lorsqu il y a interaction entre des éléments ou entités mélodiques thèmes motifs cellules distincts les uns des autres donc clairement identifiables reconnaissables d où l importance en un second temps de déterminer si ces dernières interagissent

dialogue sur la musique et le tha c a tre book oldcove - Aug 24 2023

web dialogue sur la musique et le tha c a tre dialogue sur la musique et le tha c a tre 2 downloaded from oldcove com on 2023 02 20 by guest to understanding rameau s role in the enlightenment verba illuminates important aspects of the theory

practice relationship and shows how his music embraced enlightenment values

**dialogue avec bach sur arte entre jean guihen queyras et** - Oct 14 2022

web oct 22 2023 lire la vidéo dialogue avec bach par jean guihen queyras violoncelliste et anne teresa de keersmaecker danseuse et chorégraphe captation réalisée par corentin leconte all 2022 111

**traduction de musique en turc reverso context** - Jun 10 2022

web traductions en contexte de musique en français turc avec reverso context un peu de musique musique classique boîte à musique écouter de la musique genre de musique traduction context correcteur synonymes conjugaison conjugaison documents dictionnaire dictionnaire collaboratif grammaire expressio reverso corporate

**dialogue sur la musique et le théâtre by daniel barenboim** - Mar 19 2023

web comment s opère le tissage entre paroles et musique jeu et chant À travers cet échange le lecteur entre au cœur de l'art de ces deux immenses talents une occasion unique de partager leur analyse des textes livret et partition de comprendre leurs choix musicaux et

**dialogue sur la musique et le théâtre pdf uniport edu** - Dec 16 2022

web aug 21 2023 dialogue sur la musique et le théâtre 1 15 downloaded from uniport edu ng on august 21 2023 by guest dialogue sur la musique et le théâtre right here we have countless ebook dialogue sur la musique et le théâtre and collections to check out we additionally pay for variant types and as a consequence

*dialogue sur la musique et le théâtre etherpad arts ac* - Apr 20 2023

web dialogue sur la musique et le théâtre précis de l'histoire de la poésie avec des jugements critiques sur les plus célèbres poètes et des extraits nombreux etc catalogue of the library of the peabody institute of the city of baltimore dialogue sur la musique et le théâtre downloaded from etherpad arts ac uk by guest diamond isabel

**dialogue sur la musique et le théâtre** - Sep 13 2022

web dialogue sur la musique et le théâtre is available in our book collection an online access to it is set as public so you can download it instantly our books collection spans in multiple countries allowing you to get the most less latency time to download any of our books like this one

**dialogue sur la musique et le théâtre pdf poczta builduk** - May 21 2023

web dialogue sur la musique et le théâtre downloaded from poczta builduk org by guest mason perez response faite À un curieux sur le sentiment de la musique d'italie peter lang first published in 2002 routledge is an imprint of taylor francis an informa company recevez ce mien petit labeur

*dialogue sur la musique et le théâtre download only* - Feb 06 2022

web 4 dialogue sur la musique et le théâtre 2023 07 17 of music histoire de la musique susquehanna university press each

volume in this series for the study of pictorial documents on musical subjects contains articles a catalog published in installments devoted to the complete documentatio n of specific sources and an annual

[dialogue sur la musique et le tha c a tre gianmario borio](#) - Feb 18 2023

web range from the relations of music and the soundtrack to opera and film textual representation of film sound and film music as studied by cognitive scientists part ii addresses genre and medium with chapters focusing on cartoons and animated films the film musical music in arcade and early video games and the interplay of film music and

**dialogue sur la musique et le théâtre by daniel barenboim** - Jul 11 2022

web sep 18 2023 ple thtre associ de reims le rseau de une musique du monde faite en allemagne les ptitions fiche de vocabulaire apprendre l anglais facilement et textes de thtre du thme relations le proscenium mim les dialogues et expressions qui vous restent en tte le dialogue a la boulangerie cours et exercices de april 29th 2020

[dialogue sur la musique et le tha c a tre download only](#) - Jul 23 2023

web dialogue sur la musique et le tha c a tre catalogue of the allen a brown collection of music in the public library of the city of boston précis de l histoire de la poésie avec des jugements critiques sur les plus célèbres poètes et des extraits nombreux etc response faite À un curieux sur le sentiment de la musique d italie

**dialogue sur la musique et le tha c a tre gianmario borio** - Mar 07 2022

web dialogue sur la musique et le tha c a tre but end up in malicious downloads rather than enjoying a good book with a cup of tea in the afternoon instead they are facing with some malicious virus inside their laptop dialogue sur la musique et le tha c a tre is available in our digital library an online access to it is set as public so you can

*apprendre 8 heures turc avec musique etudier des phrases en* - Apr 08 2022

web oct 27 2019 apprendre 8 heures turc avec musique s abonner learningphrases com plus de videos learningphrases usefultrenchaide

*pdf dialogue sur la musique et le tha c a tre* - Sep 25 2023

web dialogue sur la musique et le tha c a tre le visage du christ dans la musique baroque sep 08 2020 revisiter les grandes oeuvres sacrées du répertoire baroque en mettant en évidence les liens existant entre leur discours musical et la réalité spirituelle qu elles entendent exprimer tel est le propos de ce livre

**nine theories of religion paperback 8 sept 2014** - Jul 02 2022

web sociology sociological theories of religion sociological theories of religion the ideas of three early sociological theorists continue to strongly influence the sociology of religion

**pdf daniel pals nine theories of religion** - Feb 09 2023

web sep 2 2015 daniel pals nine theories of religion 3rd ed new york and oxford oxford university press 2015 1996 pp ix 374

cusack 2015 journal of

**ten theories of religion paperback oxford university press** - Nov 25 2021

**daniel pals nine theories of religion 3rd ed new york and** - Sep 23 2021

*theories about religion wikipedia* - Apr 11 2023

web nine theories of religion daniel l pals published in 2015 2015 in new york oxford by oxford university press introduction

1 animism and magic e b tylor and j g frazer

**nine theories of religion 3rd edition oxford university press** - Apr 30 2022

web nine theories of religion pals daniel amazon com tr kitap Çerez tercihlerinizi seçin Çerez bildirimimizde detaylandırıldığı üzere satın alım yapmanızı sağlamak alışveriş

nine theories of religion in searchworks catalog - May 12 2023

web abstract nine theories of religion third edition considers nine of the most important religious theories that have been put forward since the scientific approach to religion

*nine theories of religion university of miami* - Dec 07 2022

web ideal as a supplementary text in introductory religion courses or as the main text in theory and method in religious studies or in sociology of religion courses nine theories of

*daniel pals nine theories of religion 3rd ed new york and* - Oct 05 2022

web sep 1 2015 home usa north america geoscience new york daniel pals nine theories of religion 3rd ed new york and oxford oxford university press 2015 1996 pp ix

*nine theories of religion by daniel pals open library* - Aug 03 2022

web sep 8 2014 206 99 free delivery sold by smaller world future au see all 3 images follow the author daniel l pals nine theories of religion paperback 8 september

*an armored train and a dangerous new alliance the new* - Oct 25 2021

**pdf daniel pals nine theories of religion 3rd ed** - Jun 01 2022

web oct 23 2014 ideal as a supplementary text in introductory religion courses or as the main text in theory and method in religious studies or in sociology of religion courses nine

**nine theories of religion daniel l pals google books** - Aug 15 2023

web ideal as a supplementary text in introductory religion courses or as the main text in theory and method in religious

studies or in sociology of religion courses nine theories of

**daniel pals nine theories of religion philpapers** - Mar 10 2023

web revised and updated in this third edition nine theories of religion considers how these fundamental questions have engaged the most important thinkers of the modern era

**nine theories of religion pals daniel amazon com tr kitap** - Dec 27 2021

web discover and share books you love on goodreads

nine theories of religion pals daniel amazon sg books - Jan 28 2022

web click on the article title to read more

*nine theories of religion pals 9780199859092 amazon com au* - Mar 30 2022

web jul 1 2021 ideal as a supplementary text in introductory religion courses or as the main text in theory and method in religious studies or in sociology of religion courses ten

*nine theories of religion ghent university library* - Jan 08 2023

web sep 2 2015 daniel pals nine theories of religion 3rd ed new york and oxford oxford university press 2015 1996 pp ix 374 cusack 2015 journal of

nine theories of religion 3rd edition amazon com - Jul 14 2023

web 1 animism and magic e b taylor and j g frazer 2 religion and personality sigmund freud 3 society as sacred emile durkheim 4 religion as alienation karl marx 5 a

loading interface goodreads - Aug 23 2021

daniel pals nine theories of religion 3rd ed new york and - Nov 06 2022

web dec 20 2022 nine theories of religion by daniel pals 2014 oxford university press incorporated edition in english

**nine theories of religion by daniel l pals goodreads** - Sep 04 2022

web revised and updated in this third edition nine theories of religion considers how these fundamental questions have engaged the most important thinkers of the modern era

**sociological theories of religion cliffsnotes** - Feb 26 2022

web sep 14 2023 the meeting between president vladimir v putin of russia and north korea s leader kim jong un could have malign consequences for the world sept 14

*daniel pals nine theories of religion 2015* - Jun 13 2023

sociological psychological and anthropological theories about religion generally attempt to explain the origin and function of religion these theories define what they present as universal characteristics of religious belief and practice

