

21213

4 Hours / 100 Marks

Seat No.

4	5	9	6	2	8	-	+
---	---	---	---	---	---	---	---

- Instructions :**
- (1) All Questions are *compulsory*.
  - (2) Illustrate your answers with neat sketches wherever necessary.
  - (3) Figures to the right indicate full marks.
  - (4) Assume suitable data, if necessary.
  - (5) Use of Non-Programmable Electronic Pocket Calculator is permissible.
  - (6) Mobile Phone, Pager and any other Electronic Communication devices are not permissible in Examination Hall.
  - (7) Use only H/2H grade pencil.

1. (a) A pictorial view of an object is shown in Fig. 1. Draw following views by using 1<sup>st</sup> Angle method of projection :
- |  |   |   |
|--|---|---|
|  | (1) Sectional F.V; section along A – A. | 5 |
|  | (2) Left hand side view.                | 5 |

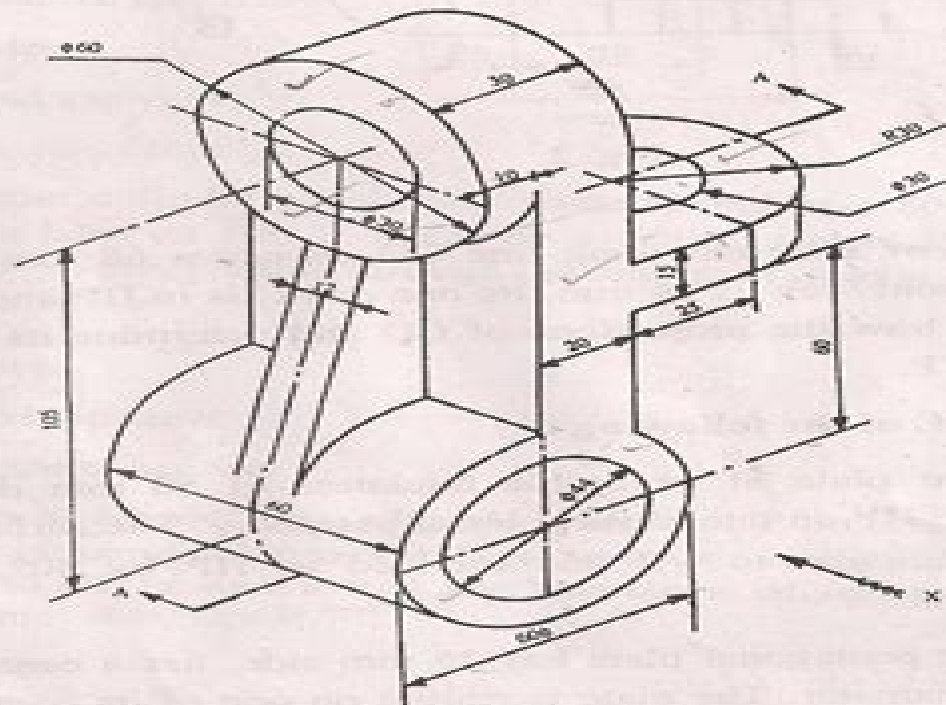


Fig. 1

# Sample Question Paper Of G Scheme Mechanical

**N Noddings**



**Sample Question Paper Of G Scheme Mechanical:**

## Sample Question Paper Of G Scheme Mechanical Book Review: Unveiling the Power of Words

In a world driven by information and connectivity, the ability of words has become more evident than ever. They have the capacity to inspire, provoke, and ignite change. Such could be the essence of the book **Sample Question Paper Of G Scheme Mechanical**, a literary masterpiece that delves deep to the significance of words and their affect our lives. Compiled by a renowned author, this captivating work takes readers on a transformative journey, unraveling the secrets and potential behind every word. In this review, we will explore the book is key themes, examine its writing style, and analyze its overall impact on readers.

<https://crm.avenza.com/files/book-search/HomePages/sample%20liability%20waiver%20form%20for%20manual%20labor.pdf>

### Table of Contents Sample Question Paper Of G Scheme Mechanical

1. Understanding the eBook Sample Question Paper Of G Scheme Mechanical
  - The Rise of Digital Reading Sample Question Paper Of G Scheme Mechanical
  - Advantages of eBooks Over Traditional Books
2. Identifying Sample Question Paper Of G Scheme Mechanical
  - Exploring Different Genres
  - Considering Fiction vs. Non-Fiction
  - Determining Your Reading Goals
3. Choosing the Right eBook Platform
  - Popular eBook Platforms
  - Features to Look for in an Sample Question Paper Of G Scheme Mechanical
  - User-Friendly Interface
4. Exploring eBook Recommendations from Sample Question Paper Of G Scheme Mechanical
  - Personalized Recommendations
  - Sample Question Paper Of G Scheme Mechanical User Reviews and Ratings
  - Sample Question Paper Of G Scheme Mechanical and Bestseller Lists

5. Accessing Sample Question Paper Of G Scheme Mechanical Free and Paid eBooks
  - Sample Question Paper Of G Scheme Mechanical Public Domain eBooks
  - Sample Question Paper Of G Scheme Mechanical eBook Subscription Services
  - Sample Question Paper Of G Scheme Mechanical Budget-Friendly Options
6. Navigating Sample Question Paper Of G Scheme Mechanical eBook Formats
  - ePub, PDF, MOBI, and More
  - Sample Question Paper Of G Scheme Mechanical Compatibility with Devices
  - Sample Question Paper Of G Scheme Mechanical Enhanced eBook Features
7. Enhancing Your Reading Experience
  - Adjustable Fonts and Text Sizes of Sample Question Paper Of G Scheme Mechanical
  - Highlighting and Note-Taking Sample Question Paper Of G Scheme Mechanical
  - Interactive Elements Sample Question Paper Of G Scheme Mechanical
8. Staying Engaged with Sample Question Paper Of G Scheme Mechanical
  - Joining Online Reading Communities
  - Participating in Virtual Book Clubs
  - Following Authors and Publishers Sample Question Paper Of G Scheme Mechanical
9. Balancing eBooks and Physical Books Sample Question Paper Of G Scheme Mechanical
  - Benefits of a Digital Library
  - Creating a Diverse Reading Collection Sample Question Paper Of G Scheme Mechanical
10. Overcoming Reading Challenges
  - Dealing with Digital Eye Strain
  - Minimizing Distractions
  - Managing Screen Time
11. Cultivating a Reading Routine Sample Question Paper Of G Scheme Mechanical
  - Setting Reading Goals Sample Question Paper Of G Scheme Mechanical
  - Carving Out Dedicated Reading Time
12. Sourcing Reliable Information of Sample Question Paper Of G Scheme Mechanical
  - Fact-Checking eBook Content of Sample Question Paper Of G Scheme Mechanical
  - Distinguishing Credible Sources
13. Promoting Lifelong Learning

- Utilizing eBooks for Skill Development
  - Exploring Educational eBooks
14. Embracing eBook Trends
- Integration of Multimedia Elements
  - Interactive and Gamified eBooks

### **Sample Question Paper Of G Scheme Mechanical Introduction**

In today's digital age, the availability of Sample Question Paper Of G Scheme Mechanical books and manuals for download has revolutionized the way we access information. Gone are the days of physically flipping through pages and carrying heavy textbooks or manuals. With just a few clicks, we can now access a wealth of knowledge from the comfort of our own homes or on the go. This article will explore the advantages of Sample Question Paper Of G Scheme Mechanical books and manuals for download, along with some popular platforms that offer these resources. One of the significant advantages of Sample Question Paper Of G Scheme Mechanical books and manuals for download is the cost-saving aspect. Traditional books and manuals can be costly, especially if you need to purchase several of them for educational or professional purposes. By accessing Sample Question Paper Of G Scheme Mechanical versions, you eliminate the need to spend money on physical copies. This not only saves you money but also reduces the environmental impact associated with book production and transportation. Furthermore, Sample Question Paper Of G Scheme Mechanical books and manuals for download are incredibly convenient. With just a computer or smartphone and an internet connection, you can access a vast library of resources on any subject imaginable. Whether you're a student looking for textbooks, a professional seeking industry-specific manuals, or someone interested in self-improvement, these digital resources provide an efficient and accessible means of acquiring knowledge. Moreover, PDF books and manuals offer a range of benefits compared to other digital formats. PDF files are designed to retain their formatting regardless of the device used to open them. This ensures that the content appears exactly as intended by the author, with no loss of formatting or missing graphics. Additionally, PDF files can be easily annotated, bookmarked, and searched for specific terms, making them highly practical for studying or referencing. When it comes to accessing Sample Question Paper Of G Scheme Mechanical books and manuals, several platforms offer an extensive collection of resources. One such platform is Project Gutenberg, a nonprofit organization that provides over 60,000 free eBooks. These books are primarily in the public domain, meaning they can be freely distributed and downloaded. Project Gutenberg offers a wide range of classic literature, making it an excellent resource for literature enthusiasts. Another popular platform for Sample Question Paper Of G Scheme Mechanical books and manuals is Open Library. Open Library is an initiative of the Internet Archive, a non-profit organization dedicated to digitizing cultural artifacts and making them

accessible to the public. Open Library hosts millions of books, including both public domain works and contemporary titles. It also allows users to borrow digital copies of certain books for a limited period, similar to a library lending system. Additionally, many universities and educational institutions have their own digital libraries that provide free access to PDF books and manuals. These libraries often offer academic texts, research papers, and technical manuals, making them invaluable resources for students and researchers. Some notable examples include MIT OpenCourseWare, which offers free access to course materials from the Massachusetts Institute of Technology, and the Digital Public Library of America, which provides a vast collection of digitized books and historical documents. In conclusion, Sample Question Paper Of G Scheme Mechanical books and manuals for download have transformed the way we access information. They provide a cost-effective and convenient means of acquiring knowledge, offering the ability to access a vast library of resources at our fingertips. With platforms like Project Gutenberg, Open Library, and various digital libraries offered by educational institutions, we have access to an ever-expanding collection of books and manuals. Whether for educational, professional, or personal purposes, these digital resources serve as valuable tools for continuous learning and self-improvement. So why not take advantage of the vast world of Sample Question Paper Of G Scheme Mechanical books and manuals for download and embark on your journey of knowledge?

### FAQs About Sample Question Paper Of G Scheme Mechanical Books

1. Where can I buy Sample Question Paper Of G Scheme Mechanical books? Bookstores: Physical bookstores like Barnes & Noble, Waterstones, and independent local stores. Online Retailers: Amazon, Book Depository, and various online bookstores offer a wide range of books in physical and digital formats.
2. What are the different book formats available? Hardcover: Sturdy and durable, usually more expensive. Paperback: Cheaper, lighter, and more portable than hardcovers. E-books: Digital books available for e-readers like Kindle or software like Apple Books, Kindle, and Google Play Books.
3. How do I choose a Sample Question Paper Of G Scheme Mechanical book to read? Genres: Consider the genre you enjoy (fiction, non-fiction, mystery, sci-fi, etc.). Recommendations: Ask friends, join book clubs, or explore online reviews and recommendations. Author: If you like a particular author, you might enjoy more of their work.
4. How do I take care of Sample Question Paper Of G Scheme Mechanical books? Storage: Keep them away from direct sunlight and in a dry environment. Handling: Avoid folding pages, use bookmarks, and handle them with clean hands. Cleaning: Gently dust the covers and pages occasionally.

5. Can I borrow books without buying them? Public Libraries: Local libraries offer a wide range of books for borrowing. Book Swaps: Community book exchanges or online platforms where people exchange books.
6. How can I track my reading progress or manage my book collection? Book Tracking Apps: Goodreads, LibraryThing, and Book Catalogue are popular apps for tracking your reading progress and managing book collections. Spreadsheets: You can create your own spreadsheet to track books read, ratings, and other details.
7. What are Sample Question Paper Of G Scheme Mechanical audiobooks, and where can I find them? Audiobooks: Audio recordings of books, perfect for listening while commuting or multitasking. Platforms: Audible, LibriVox, and Google Play Books offer a wide selection of audiobooks.
8. How do I support authors or the book industry? Buy Books: Purchase books from authors or independent bookstores. Reviews: Leave reviews on platforms like Goodreads or Amazon. Promotion: Share your favorite books on social media or recommend them to friends.
9. Are there book clubs or reading communities I can join? Local Clubs: Check for local book clubs in libraries or community centers. Online Communities: Platforms like Goodreads have virtual book clubs and discussion groups.
10. Can I read Sample Question Paper Of G Scheme Mechanical books for free? Public Domain Books: Many classic books are available for free as they're in the public domain. Free E-books: Some websites offer free e-books legally, like Project Gutenberg or Open Library.

### Find Sample Question Paper Of G Scheme Mechanical :

[sample liability waiver form for manual labor](#)

[sample primary care medical history template](#)

[sample test generalist ec 6](#)

[sample personal essay graduate school](#)

[sample letter firing attorney](#)

[sample sponsorship letter for event](#)

[sample test paper for accountant job](#)

[sample parent letter from teacher](#)

[sample of poorly written essay](#)

[sample graduate admission essays](#)

[sample med surg certification questions](#)



*sample fsa writing prompt*

sample letter of intent for music collaboration

*sample test for local 38 plumbers union*

sample policy analysis paper

### **Sample Question Paper Of G Scheme Mechanical :**

**les indomptables figures de l anorexie goodreads** - Mar 09 2023

web d avoir refusé obstinément de se nourrir de s être tenues indomptables au bord de la mort À travers leurs portraits une interrogation fondamentale sur ce que l on nomme

**les indomptables figures de l anorexie 273810987x cultura** - Feb 25 2022

web les indomptables figures de l anorexie aux éditions odile jacob sissi impératrice d autriche l antigone de sophocle simone weil la philosophe sainte catherine de

amazon fr les indomptables figures de l anorexie ginette - Dec 26 2021

web noté 5 retrouvez les indomptables figures de l anorexie et des millions de livres en stock sur amazon fr achetez neuf ou d occasion

les indomptables figures de l anorexie amazon fr - Jul 13 2023

web retrouvez les indomptables figures de l anorexie et des millions de livres en stock sur amazon fr achetez neuf ou d occasion amazon fr les indomptables figures de

*les indomptables figures de l anorexie psychologie* - Aug 02 2022

web achetez et téléchargez ebook les indomptables figures de l anorexie psychologie boutique kindle psychologie amazon fr

les indomptables figures de l anorexie ginette rimbault fnac - Dec 06 2022

web figures de l anorexie les indomptables ginette rimbault caroline eliacheff odile jacob des milliers de livres avec la livraison chez vous en 1 jour ou en magasin avec

**les indomptables figures de l anorexie amazon fr** - Aug 14 2023

web d avoir refusé obstinément de se nourrir de s être tenues indomptables au bord de la mort À travers leurs portraits une interrogation fondamentale sur ce que l on nomme

**les indomptables figures de l anorexie babelio** - Jun 12 2023

web jun 11 2019 les indomptables figures de l anorexie sissi impératrice d autriche l antigone de sophocle simone weil la philosophe de saint catherine de sienne

les indomptables figures de l anorexie sciences humaines - Sep 03 2022

web ce livre écrit à quatre mains parle de femmes indomptables de combattantes qui ont choisi comme l'impératrice sissi ou sainte catherine de sienne l'anorexie comme

**les indomptables figures de l'anorexie amazon fr** - Nov 05 2022

web noté 5 retrouvez les indomptables figures de l'anorexie et des millions de livres en stock sur amazon fr achetez neuf ou d'occasion

**les indomptables figures de l'anorexie poche fnac** - Jan 07 2023

web figures de l'anorexie les indomptables ginette rimbault caroline eliaheff odile jacob des milliers de livres avec la livraison chez vous en 1 jour ou en magasin avec

indomptables figures de l'anorexie librairie gallimard de montréal - Mar 29 2022

web may 29 2001 indomptables figures de l'anorexie rimbault ginette et eliaheff disponible sur commande Éditeur odile jacob collection poches

*les indomptables figures de l'anorexie semantic scholar* - Apr 29 2022

web les indomptables figures de l'anorexie inproceedings rimbault2001lesi title les indomptables figures de l'anorexie author ginette rimbault and caroline

*les indomptables figures de l'anorexie google books* - Apr 10 2023

web de l'enfant roi à l'enfant victime sissi impératrice d'autriche l'antigone de sophocle simone weil la philosophe de saint catherine de sienne chacune de ces femmes illustre

**les indomptables figures de l'anorexie google books** - Oct 04 2022

web d'avoir refusé obstinément de se nourrir de s'être tenues indomptables au bord de la mort À travers leurs portraits une interrogation fondamentale sur ce que l'on nomme

amazon fr les indomptables figures de l'anorexie by ginette - Jan 27 2022

web noté 5 retrouvez les indomptables figures de l'anorexie by ginette rimbault caroline eliaheff 2001 04 21 et des millions de livres en stock sur amazon fr achetez

**les indomptables figures de l'anorexie poche furet du nord** - Jul 01 2022

web may 4 2001 les indomptables figures de l'anorexie poche caroline eliaheff ginette rimbault note moyenne donner le premier avis sissi impératrice d'autriche

**les indomptables figures de l'anorexie poche decitre** - May 31 2022

web may 4 2001 l'histoire est racontée du point de vue de bee une jeune femme fan de marie curie bee ne veut pas d'animaux ils meurent et encore moins une relation

les indomptables ginette rimbault caroline eliaheff cairn info - Feb 08 2023

web figures de l anorexie par ginette raimbault caroline eliacheff année 1989 pages 320 collection hors collection Éditeur odile jacob format quote citer ou exporter

**les indomptables figures de l anorexie fnac** - May 11 2023

web d avoir refusé obstinément de se nourrir de s être tenues indomptables au bord de la mort À travers leurs portraits une interrogation fondamentale sur ce que l on nomme

**les indomptables figures de l anorexie google books** - Nov 24 2021

web comment être femme pourquoi vivre quelle cause vaut de se sacrifier pour elle chacune a tenté à sa façon à son époque de dire sa vérité en engageant son corps

**wax carving how to jewelry tutorials** - May 02 2023

web jan 25 2021 wax carving part 1 making a basic ring with regular tools i have made a wax carving series in this series i will show you different types of waxes you can use to make jewelry

**basic list for wax carving beginners** - Sep 25 2022

web part 1 wax carving part 1 making a basic ring with regular tools jewelry making basics wax carving part 1 make a wax carved signet ring part 1 wax carving part 1

**jewelry making basics wax carving part 1 youtube** - Jun 03 2023

in order to see the form you are carving clearly good general lighting is a must add a lamp that can be angled and you have the ideal see more

wax carving basics part 1 kate wolf tools vdocuments site - Aug 05 2023

when you are creating a ring that is to be symmetrical it is important to start with a ring blank that is squared off has parallel sides and has an inside hole that is perpendicular to the see more

**wax carving wikipedia** - Mar 20 2022

web 4 wax carving basics part 1 2021 04 14 preparation of wax blocks provides a description of anatomical landmarks offers a complete and stepwise guide to the carving and wax

*cut loose wax carving basics part 1 ganoksin* - Oct 07 2023

if you are creating a master model from carving wax take heart in knowing that you are working with an amazing material carving wax is ideal for creating complex curvilinear forms sweeping curves and most anything that would be difficult to construct from sheet wire or tubing it is capable of being see more

**wax carving basics part 1 pdf lfe** - Oct 27 2022

web wax carving is a fun jewellery making technique where you transform an unassuming piece of wax into a beautiful piece of jewellery learn to carve rings and 3 dimensional

*an introduction to wax carving and shaping tools youtube* - Feb 28 2023

web jul 11 2023 now that you have your toolset and workspace ready it s time to jump into the fun part carving let s walk through some basic wax carving techniques that will help

*wax carving basics part 1 app acumed* - Apr 20 2022

web we would like to show you a description here but the site won t allow us

**waxcarvingbasicspart1 pdf dev sfcg** - Dec 17 2021

web nov 1 2012 visual tour through a step by step carving of a ring with a pear shaped center stone the completion of the project along with additional wax carving tips and

quora a place to share knowledge and better understand the world - May 22 2022

web wax carving basics part 1 back to basics product design for manufacture and assembly third edition catalog of national bureau of standards publications 1966 1976 pt 1

*wax carving basics part 1 pdf copy support ortax* - Jul 24 2022

web wax carving basics part 1 is available in our book collection an online access to it is set as public so you can download it instantly our digital library saves in multiple locations

*wax carving basics for beginner jewelry makers* - Dec 29 2022

web jan 8 2018 carving and shaping wax is very satisfying you can start with the most basic equipment such as penknives and files andrew takes you through the tools he use

**wax carving basics part 1 book wp publish** - Aug 25 2022

web basic list for wax carving beginners block of wax i use ferris carving tools and spatulas dental picks to scrap scratch and draw onto your wax you can get these tub of 18

**beginners wax carving jewellers academy** - Apr 01 2023

web sep 12 2021 editor s note this is the first article in a two part series on wax carving by master model maker designer and educator kate wolf of wolf designs in portland

**waxcarvingbasicspart1 copy direct we ridewell** - Feb 16 2022

web wax carving is the shaping of wax using tools usually associated with machining rotary tools saws files and burins or gravers actual knives can be used and most certainly

*wax carving mastery beginner tips techniques* - Jul 04 2023

files as well as wax burs and cylinder burs are great for roughing out the overall form of a wax model but using only files to carve wax is see more

wax carving basics part 1 wolftools com - Jan 18 2022

web catalog of national bureau of standards publications 1966 1976 pt 1 citations and abstracts v 2 pt 1 key word index a through l v 2 pt 2 key word index m through

*wax carving part 1 making a basic ring with regular tools* - Sep 06 2023

some of my favorite jewelry is the result of working serendipitously instead of starting on paper sketching the jewelry and creating color renderings i start with a block of wax and an see more

*make a wax carved ring part 1 youtube* - Jan 30 2023

web part 1 of 3 watch as i hand carve a form fit wedding band for an existing wedding set in this video fyi the cylinders i mention are ring sizing cylinders

*wax carvers online wax carving classes* - Nov 27 2022

web mar 30 2020 why not try our make a wax carved ring course with sophie arnott wax carving requires minimal tools or equipment at home thus is relatively inexpensive and something anyone can

*wax carving basics part 1 2023 portal nivbook co* - Jun 22 2022

web wax models for jewelry both fine pieces and costume jewelry the ancient method of lost wax casting and traditional casting techniques of modeling in wax free that artist from

**dale seymour problem solving cards grade 5** - Dec 26 2021

web dale seymour problem solving cards grade 5 erotki de may 4th 2018 read and download dale seymour problem solving cards grade 5 free ebooks in pdf format

[dale seymour problem solving cards grade 5 copy](#) - Aug 14 2023

web dale seymour problem solving cards grade 5 downloaded from app oaklandlibrary org by guest frida kassandra problem solving skill sheets dale seymour publication

**dale seymour problem solving cards grade 5 jupiter goinglobal** - Nov 05 2022

web dale seymour problem solving cards grade 5 1 dale seymour problem solving cards grade 5 tic tac toe math for grades 3 and 4 mathematical thinking at grade 5 building

**dale seymour problem solving cards grade 5** - Jul 13 2023

web dale seymour problem solving cards grade 5 this is likewise one of the factors by obtaining the soft documents of this dale seymour problem solving cards grade 5 by

*5 sınıf dört İşlem İçeren problemleri Çözme morpa kampüs* - Aug 02 2022

web sınıf dört İşlem İçeren problemleri Çözme matematik konu anlatımı morpa kampüs 5 sınıf matematik dört İşlem İçeren problemleri Çözme yaş problemleri konu anlatımı

**5 sınıf matematik doğal sayılarda Çıkarma İşlemi problemleri** - May 31 2022

web jun 30 2019 doğal sayılarda Çıkarma İşlemi problemleri sadettın karaaslan Çalışma kağıtları tür Çalışma kağıdı zorluk orta eklenme tarihi 30 haziran 2019 boyut 550

*5 sınıf doğal sayılarda dört işlem problemleri sorubak* - Feb 25 2022

web 5 sınıf doğal sayılarda dört işlem problemleri dosyası 20 eylül 2014 cumartesi günü İlköğretim 5 kategorisinin soru bankası deneme sınavları alt kategorisine eklendi

**dale seymour problem solving cards grade 5 download only** - Oct 04 2022

web dale seymour problem solving cards grade 5 3 3 concerning estimation and problem solving contained in one volume it illustrates to parents that there are many

*dale seymour problem solving cards grade 5* - Jan 27 2022

web have remained in right site to begin getting this info get the dale seymour problem solving cards grade 5 member that we pay for here and check out the link you could

**tonguc akademi** - Mar 29 2022

web Üyelik gerektiren bir sayfaya giriş yapmaya Çalıştiniz Şu an Üyelik sayfasına yönlendiriliyorsunuz Lütfen Üye girişi yaptıktan sonra tekrar deneyiniz

**dale seymour problem solving cards grade 5 pdf vla ramtech** - Sep 22 2021

web jun 15 2023 said the dale seymour problem solving cards grade 5 pdf is universally compatible subsequently any devices to read what successful math teachers do

dale seymour problem solving cards grade 5 - Jan 07 2023

web dale seymour problem solving cards grade 5 downloaded from ma swischoolwear co uk by guest maldonado richardson hot math topics dale

**dale seymour problem solving cards grade 5** - May 11 2023

web right here we have countless books dale seymour problem solving cards grade 5 and collections to check out we additionally have the funds for variant types and afterward

**dale seymour problem solving cards grade 5 2022** - Apr 10 2023

web how to evaluate progress in problem solving resources in education mathematical thinking at grade 5 calculator active materials dale seymour problem solving cards

**dale seymour problem solving cards grade 5 pdf db udrive** - Jun 12 2023

web dale seymour problem solving cards grade 5 is available in our digital library an online access to it is set as public so you can get it instantly our book servers spans in multiple

dale seymour problem solving cards grade 5 - Mar 09 2023

web grade 3 and up dale seymour problem solving cards grade 5 pdf download march 31st 2018 dale seymour problem solving cards grade 5 moems feedback i am the

[dale seymour problem solving cards grade 5](#) - Oct 24 2021

web it is your definitely own become old to play reviewing habit among guides you could enjoy now is dale seymour problem solving cards grade 5 below dale seymour

**dale seymour problem solving cards grade 5 pdf wp publish** - Dec 06 2022

web dale seymour problem solving cards grade 5 book review unveiling the power of words in a world driven by information and connectivity the ability of words has be

**5 sınıf doğal sayılarla dört İşlem problemleri egitimhane com** - Jul 01 2022

web 10 soruluk test 5 sınıf doğal sayılarla dört İşlem problemleri dosyası 5 sınıf matematik etkinlik ve Çalışma kağıtları bölümünde bulunmaktadır 5 sınıf doğal sayılarla dört

[dale seymour problem solving cards grade 5](#) - Feb 08 2023

web dale seymour problem solving cards grade 5 elusya de may 1st 2018 read now dale seymour problem solving cards grade 5 free ebooks in pdf format infiniti

**dale seymour problem solving cards grade 5 pdf uniport edu** - Nov 24 2021

web may 1 2023 dale seymour problem solving cards grade 5 2 4 downloaded from uniport edu ng on may 1 2023 by guest the arithmetic teacher 1993 guide to math

**dale seymour problem solving cards grade 5 206 189 230 158** - Sep 03 2022

web jan 19 2023 publication as competently as acuteness of this dale seymour problem solving cards grade 5 can be taken as capably as picked to act what successful

[dale seymour problem solving cards grade 5](#) - Apr 29 2022

web dale seymour problem solving cards grade 5 is obtainable in our novel accumulation an online access to it is set as public so you can get it immediately however when realize