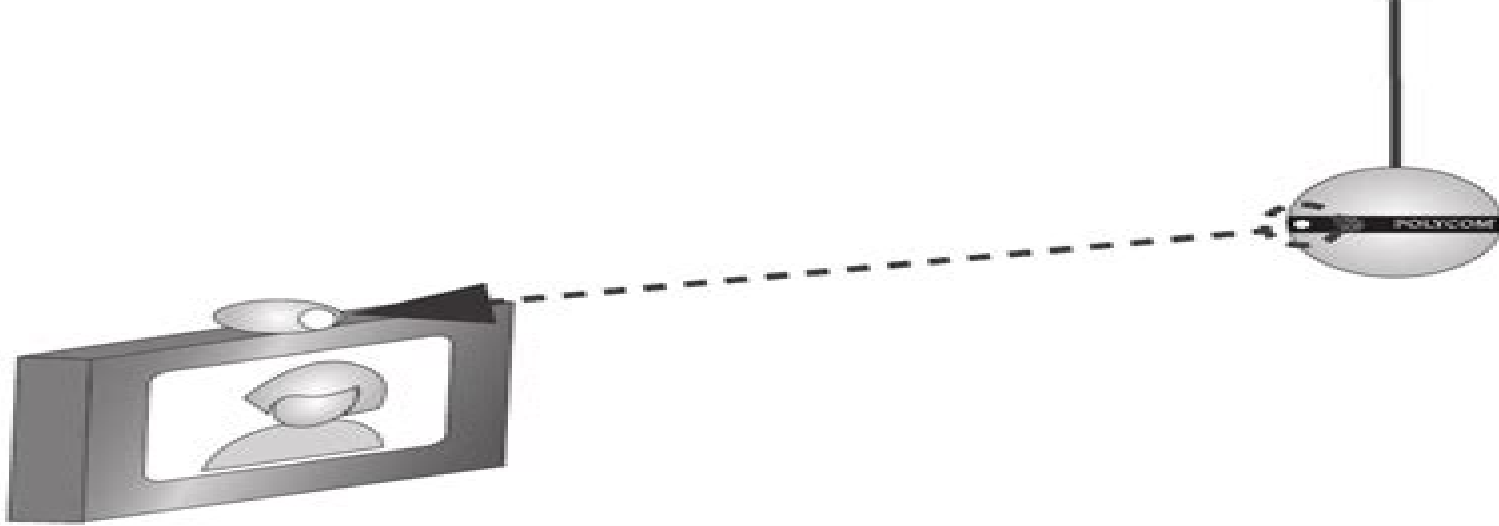
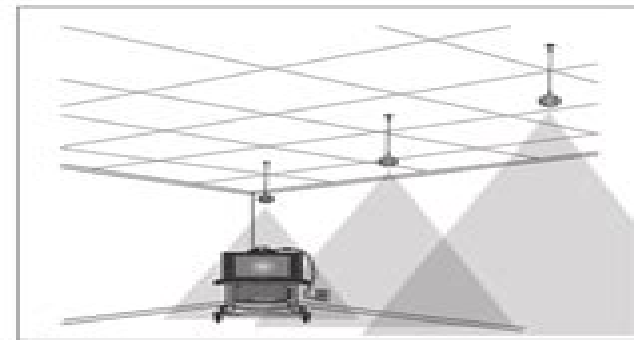
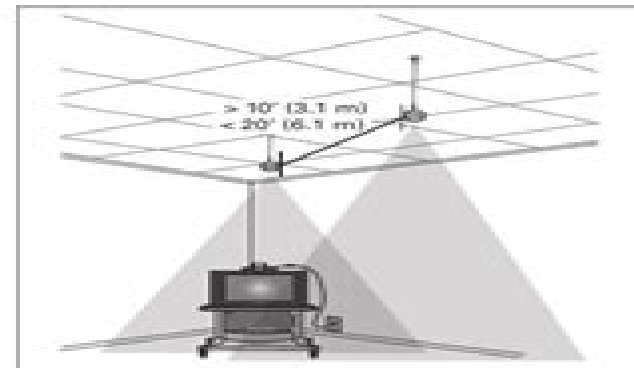
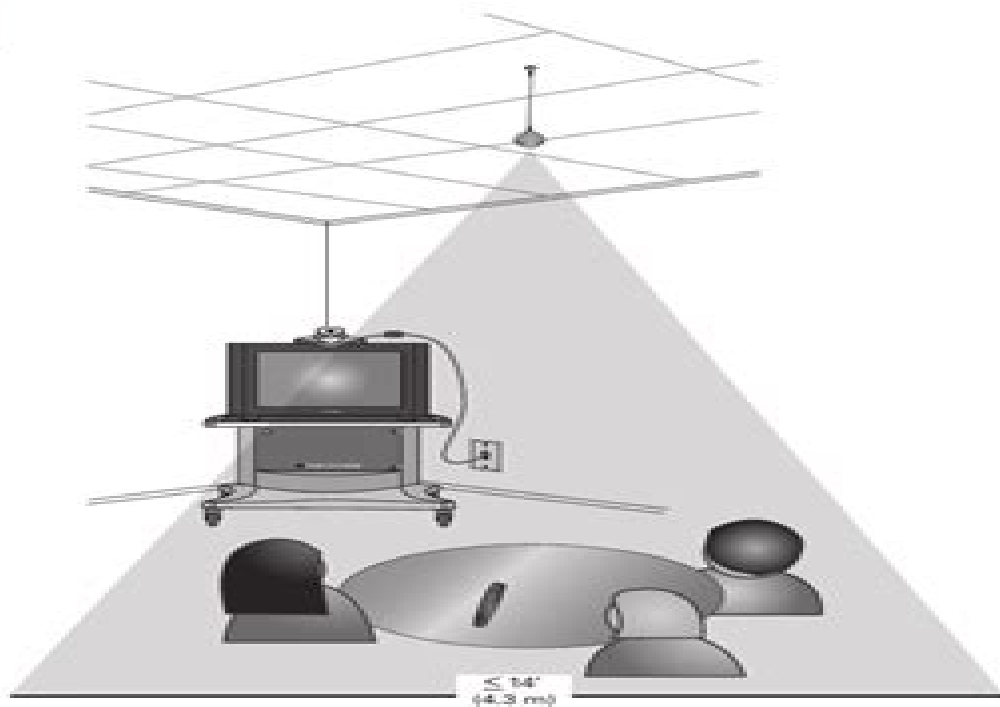


8



9



Polycom Vsx 5000 User Manual

Michael Hoelscher



Polycom Vsx 5000 User Manual:

Eventually, you will no question discover a new experience and deed by spending more cash. still when? complete you take that you require to acquire those every needs in the same way as having significantly cash? Why dont you try to get something basic in the beginning? Thats something that will guide you to understand even more concerning the globe, experience, some places, as soon as history, amusement, and a lot more?

It is your definitely own epoch to take action reviewing habit. in the midst of guides you could enjoy now is **Polycom Vsx 5000 User Manual** below.

https://crm.avenza.com/About/uploaded-files/Documents/organization_theory_and_design_daft_murphy_wilmott.pdf

Table of Contents Polycom Vsx 5000 User Manual

1. Understanding the eBook Polycom Vsx 5000 User Manual
 - The Rise of Digital Reading Polycom Vsx 5000 User Manual
 - Advantages of eBooks Over Traditional Books
2. Identifying Polycom Vsx 5000 User Manual
 - Exploring Different Genres
 - Considering Fiction vs. Non-Fiction
 - Determining Your Reading Goals
3. Choosing the Right eBook Platform
 - Popular eBook Platforms
 - Features to Look for in an Polycom Vsx 5000 User Manual
 - User-Friendly Interface
4. Exploring eBook Recommendations from Polycom Vsx 5000 User Manual
 - Personalized Recommendations
 - Polycom Vsx 5000 User Manual User Reviews and Ratings
 - Polycom Vsx 5000 User Manual and Bestseller Lists
5. Accessing Polycom Vsx 5000 User Manual Free and Paid eBooks

- Polycom Vsx 5000 User Manual Public Domain eBooks
 - Polycom Vsx 5000 User Manual eBook Subscription Services
 - Polycom Vsx 5000 User Manual Budget-Friendly Options
6. Navigating Polycom Vsx 5000 User Manual eBook Formats
- ePub, PDF, MOBI, and More
 - Polycom Vsx 5000 User Manual Compatibility with Devices
 - Polycom Vsx 5000 User Manual Enhanced eBook Features
7. Enhancing Your Reading Experience
- Adjustable Fonts and Text Sizes of Polycom Vsx 5000 User Manual
 - Highlighting and Note-Taking Polycom Vsx 5000 User Manual
 - Interactive Elements Polycom Vsx 5000 User Manual
8. Staying Engaged with Polycom Vsx 5000 User Manual
- Joining Online Reading Communities
 - Participating in Virtual Book Clubs
 - Following Authors and Publishers Polycom Vsx 5000 User Manual
9. Balancing eBooks and Physical Books Polycom Vsx 5000 User Manual
- Benefits of a Digital Library
 - Creating a Diverse Reading Collection Polycom Vsx 5000 User Manual
10. Overcoming Reading Challenges
- Dealing with Digital Eye Strain
 - Minimizing Distractions
 - Managing Screen Time
11. Cultivating a Reading Routine Polycom Vsx 5000 User Manual
- Setting Reading Goals Polycom Vsx 5000 User Manual
 - Carving Out Dedicated Reading Time
12. Sourcing Reliable Information of Polycom Vsx 5000 User Manual
- Fact-Checking eBook Content of Polycom Vsx 5000 User Manual
 - Distinguishing Credible Sources
13. Promoting Lifelong Learning
- Utilizing eBooks for Skill Development

- Exploring Educational eBooks
- 14. Embracing eBook Trends
 - Integration of Multimedia Elements
 - Interactive and Gamified eBooks

Polycom Vsx 5000 User Manual Introduction

In today's digital age, the availability of Polycom Vsx 5000 User Manual books and manuals for download has revolutionized the way we access information. Gone are the days of physically flipping through pages and carrying heavy textbooks or manuals. With just a few clicks, we can now access a wealth of knowledge from the comfort of our own homes or on the go. This article will explore the advantages of Polycom Vsx 5000 User Manual books and manuals for download, along with some popular platforms that offer these resources. One of the significant advantages of Polycom Vsx 5000 User Manual books and manuals for download is the cost-saving aspect. Traditional books and manuals can be costly, especially if you need to purchase several of them for educational or professional purposes. By accessing Polycom Vsx 5000 User Manual versions, you eliminate the need to spend money on physical copies. This not only saves you money but also reduces the environmental impact associated with book production and transportation. Furthermore, Polycom Vsx 5000 User Manual books and manuals for download are incredibly convenient. With just a computer or smartphone and an internet connection, you can access a vast library of resources on any subject imaginable. Whether you're a student looking for textbooks, a professional seeking industry-specific manuals, or someone interested in self-improvement, these digital resources provide an efficient and accessible means of acquiring knowledge. Moreover, PDF books and manuals offer a range of benefits compared to other digital formats. PDF files are designed to retain their formatting regardless of the device used to open them. This ensures that the content appears exactly as intended by the author, with no loss of formatting or missing graphics. Additionally, PDF files can be easily annotated, bookmarked, and searched for specific terms, making them highly practical for studying or referencing. When it comes to accessing Polycom Vsx 5000 User Manual books and manuals, several platforms offer an extensive collection of resources. One such platform is Project Gutenberg, a nonprofit organization that provides over 60,000 free eBooks. These books are primarily in the public domain, meaning they can be freely distributed and downloaded. Project Gutenberg offers a wide range of classic literature, making it an excellent resource for literature enthusiasts. Another popular platform for Polycom Vsx 5000 User Manual books and manuals is Open Library. Open Library is an initiative of the Internet Archive, a non-profit organization dedicated to digitizing cultural artifacts and making them accessible to the public. Open Library hosts millions of books, including both public domain works and contemporary titles. It also allows users to borrow digital copies of certain books for a limited period, similar to a library lending system. Additionally, many universities

and educational institutions have their own digital libraries that provide free access to PDF books and manuals. These libraries often offer academic texts, research papers, and technical manuals, making them invaluable resources for students and researchers. Some notable examples include MIT OpenCourseWare, which offers free access to course materials from the Massachusetts Institute of Technology, and the Digital Public Library of America, which provides a vast collection of digitized books and historical documents. In conclusion, Polycom Vsx 5000 User Manual books and manuals for download have transformed the way we access information. They provide a cost-effective and convenient means of acquiring knowledge, offering the ability to access a vast library of resources at our fingertips. With platforms like Project Gutenberg, Open Library, and various digital libraries offered by educational institutions, we have access to an ever-expanding collection of books and manuals. Whether for educational, professional, or personal purposes, these digital resources serve as valuable tools for continuous learning and self-improvement. So why not take advantage of the vast world of Polycom Vsx 5000 User Manual books and manuals for download and embark on your journey of knowledge?

FAQs About Polycom Vsx 5000 User Manual Books

What is a Polycom Vsx 5000 User Manual PDF? A PDF (Portable Document Format) is a file format developed by Adobe that preserves the layout and formatting of a document, regardless of the software, hardware, or operating system used to view or print it.

How do I create a Polycom Vsx 5000 User Manual PDF? There are several ways to create a PDF: Use software like Adobe Acrobat, Microsoft Word, or Google Docs, which often have built-in PDF creation tools. Print to PDF: Many applications and operating systems have a "Print to PDF" option that allows you to save a document as a PDF file instead of printing it on paper. Online converters: There are various online tools that can convert different file types to PDF.

How do I edit a Polycom Vsx 5000 User Manual PDF? Editing a PDF can be done with software like Adobe Acrobat, which allows direct editing of text, images, and other elements within the PDF. Some free tools, like PDFescape or Smallpdf, also offer basic editing capabilities. **How do I convert a Polycom Vsx 5000 User Manual PDF to another file format?**

There are multiple ways to convert a PDF to another format: Use online converters like Smallpdf, Zamzar, or Adobe Acrobats export feature to convert PDFs to formats like Word, Excel, JPEG, etc. Software like Adobe Acrobat, Microsoft Word, or other PDF editors may have options to export or save PDFs in different formats. **How do I password-protect a Polycom Vsx**

5000 User Manual PDF? Most PDF editing software allows you to add password protection. In Adobe Acrobat, for instance, you can go to "File" -> "Properties" -> "Security" to set a password to restrict access or editing capabilities. Are there any free alternatives to Adobe Acrobat for working with PDFs? Yes, there are many free alternatives for working with PDFs, such as: LibreOffice: Offers PDF editing features. PDFsam: Allows splitting, merging, and editing PDFs. Foxit Reader: Provides

basic PDF viewing and editing capabilities. How do I compress a PDF file? You can use online tools like Smallpdf, ILovePDF, or desktop software like Adobe Acrobat to compress PDF files without significant quality loss. Compression reduces the file size, making it easier to share and download. Can I fill out forms in a PDF file? Yes, most PDF viewers/editors like Adobe Acrobat, Preview (on Mac), or various online tools allow you to fill out forms in PDF files by selecting text fields and entering information. Are there any restrictions when working with PDFs? Some PDFs might have restrictions set by their creator, such as password protection, editing restrictions, or print restrictions. Breaking these restrictions might require specific software or tools, which may or may not be legal depending on the circumstances and local laws.

Find Polycom Vsx 5000 User Manual :

organization theory and design daft murphy wilmott

oreo cheesecake and recipe

organic chemistry william brown solution manual torrent

organelles in eukaryotic cells pogil answers key

organic chemistry morrison and boyd 3rd edition

organic chemistry structure and reactivity

orchestral score the secret garden

organizational behavior robbins 15th edition practice test

organic chemistry smith 4th edition connect

oreo cakester cake recipe

organic chemistry paula 6th solution manual

organizational behavior robbins 11th edition

organic experiments instructor guide 9th edition

organic chem bruice solution manual

oregonian voter guide 2008

Polycom Vsx 5000 User Manual :

Reproductive System Webquest Flashcards Study with Quizlet and memorize flashcards containing terms like reproduction, meiosis, two types of reproduction and more. Reproductive System Webquest 2 .docx What is the male hormone produced in the testicles that plays an important role in male sexual development and the production of sperm? Testosterone is the

male ... Human Reproduction Webquest Why is sexual reproduction important? What is the process of making gametes called? Part II: Spermatogenesis. Go to the following webpage: <http://wps.HumanReproductionWebQuest.doc> HUMAN REPRODUCTION "WEB QUEST" Name. Goal: Increase your understanding of human reproduction by working through several web sites devoted to the topic. human reproduction web quest2015.docx ◦ What is semen? ◦ What is significant about the male reproductive organ as it applies to internal fertilization? Human Reproduction Webquest by Deborah Anderson Human Reproduction Webquest ; Grade Levels. 10th - 12th, Homeschool ; Subjects. Anatomy, Biology ; Pages. 6 pages ; Total Pages. 6 pages ; Answer Key. N/A. Human Reproduction Webquest Where, in the female reproductive tract, does fertilization occur? (vagina, uterus, fallopian tubes or ovaries). 21. Why does the sperm release digestive ... Microsoft Word - Human Reproduction Webquest - Studylib Microsoft Word - Human Reproduction Webquest · 1. Why is sexual reproduction important? · 2. What is the process of making gametes called? · 3. Where does ... Human Reproduction Webquest - Studylib Human Reproduction Webquest · 1. Why is sexual reproduction important? · 2. What is the process of making gametes called? · 3. Where does spermatogenesis occur? · 4 ... Reproductive system webquest - Name Define the term reproduction. What are the 2 kinds of sex cells or gametes that are required for human reproduction? Label/identify the basics of each of ... GE 29875 User Manual - Digital Answering System Digital messaging system (2 pages). Free GE Answering Machine User Manuals GE Answering Machine 2-9991. General Electric Caller ID & Digital Messaging System Owner's Manual. Pages: 24. See Prices. GE Answering ... GE 29875 Answering Machine User Manual Phone manuals and free pdf instructions. Find the user manual you need for your phone and more at ManualsOnline. GE 29888GE1 USER MANUAL Pdf Download View and Download GE 29888GE1 user manual online. Digital Messaging System. 29888GE1 telephone pdf manual download. Also for: 29888. GE Digital Messaging System GE Digital Messaging System identified by the model number 29875GE1 GE 29875GE1 troubleshooting, repair, and service manuals. Owner's Manuals and Installation Instructions - GE Appliance GE Appliance - Owner's Manuals and Installation Instructions. GE Appliances has offered many types of products over the past decades. You may have a newer ... GE Digital Messaging System Instructions Record Greeting and Listening to Messages. Once the machine is set up you can record your greeting. Press and hold the "Greeting" button until you hear a tone. I have a GE 29831A Digital Telephone Answering System. ... Aug 26, 2019 — Hi,. Please find the manual attached - page 10 shows how to fit the batteries. I hope that helps, Best Regards,. Rich. How to operate a Ge answering machine model no. ... Aug 31, 2009 — I have a GE Digital Messaging System telephone answering device. I have a GE Digital Messaging System telephone answering device. It's brand ... GE 29875GE1-B Digital Answering System Test ... - YouTube TELSTA T40C Bucket Trucks / Service Trucks Auction ... Browse a wide selection of new and used TELSTA T40C Bucket Trucks / Service Trucks auction results near you at CraneTrader.com. Late Model TELSTA T-40C Bucket Trucks for Rent Description. Late Model Low Mileage Trucks Cummins 6.7L Diesel-240HP Allison Auto Transmission 40 ft Working Height Reel Carrier Take-up Telsta

T40C PRO Telsta T40C Pro Aerial Stringing unit. Rear reel carrier with winder and brake. Strand reel with brake, intercom, fairleads, tow line and ... TELSTA T40C Construction Equipment Auction Results Browse a wide selection of new and used TELSTA T40C Construction Equipment auction results near you at MachineryTrader.com. Used Telsta T40C for sale. Top quality machinery listings. Telsta T40C, 40 ft, Telescopic Non-Insulated Cable Placing Bucket Truck s/n 02400026F, with single-man bucket, center mounted on 2002 GMC C7500 Utility Truck, ... Telsta T40C - Bucket Trucks Description. Telsta T40C, 40 ft, Telescopic Non-Insulated Cable Placing Bucket Truck s/n 02400026F, with single-man bucket, center mounted on 2002 GMC C7500 ... Used T40C For Sale - Bucket Truck - Boom Trucks CommercialTruckTrader.com always has the largest selection of New Or Used Bucket Truck - Boom Trucks for sale anywhere. Available Colors. (3) TELSTA · (1) ALTEC. 2004 GMC Telsta T40C Details - McCarthyTrucks Completely reconditioned lift and body. Lift completely disassembled and rebuilt using OEM parts. New bushings, inner and outer roller bearings, drive chain, ... TELSTA T40C PARTS Details - McCarthyTrucks TELSTA T40C PARTS Details. TELSTA T40C PARTS AVAILABLE. BASKETS, FORK ARMS, INNER BOOMS, REEL CARRIERS, CAPSTAN WINCHES. CALL FOR PRICES AND AVAILABILITY.