

CLEANING THE GREASE FILTER

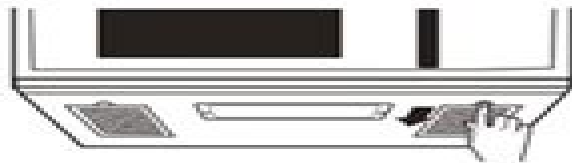
Your microwave oven has reusable grease filter. The grease filters should be removed and cleaned at least once every four months or as required.

To order a new grease filter, contact SamsungParts at 1-800-627-4368 or your Samsung dealer. You can also order online at www.samsungparts.com

 Your microwave oven has a filter reminder function. See page 10 for details.

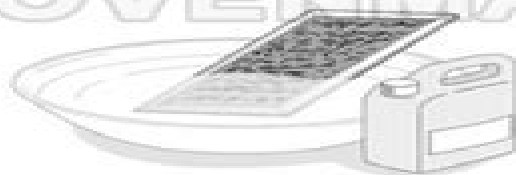
 To avoid risk of personal injury or property damage, do not operate the oven hood without the filters in place.

1. To remove the filter, slide them to the rear using the tabs, then pull down and out.



2. Soak the grease filter in hot water and a mild detergent. Rinse well and shake to dry. Brushing the filter lightly can remove embedded dirt.

 Do not use ammonia or put the grease filter in the microwave oven cavity to dry. The aluminum will darken.

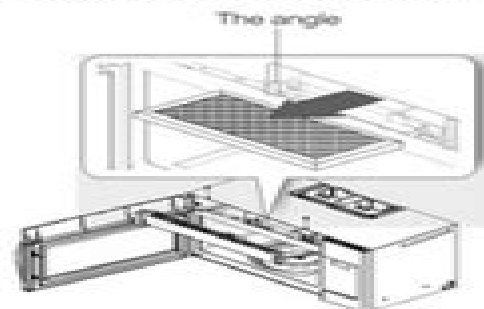


3. To re-install the filter, slide it into the frame slots on the back of each opening, and then press up and to the front to lock it.

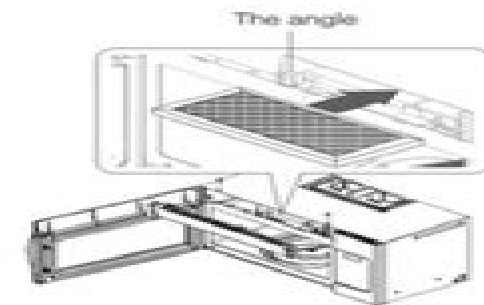
REPLACING THE CHARCOAL FILTER

If your oven is vented to the inside, the charcoal filter should be replaced every 6 to 12 months and more often if necessary. The charcoal filter cannot be cleaned. To order a new charcoal filter, contact SamsungParts at 1-800-627-4368 or your Samsung dealer. You can also order online at www.samsungparts.com

1. Unplug the oven or turn off the power at the main power supply.
2. Open the door.
3. Remove the vent grille mounting screws (2 middle screws).
4. Slide the vent grille to the left, then pull it straight out.
5. Push the hook, and then remove the old filter.



6. Slide a new charcoal filter into place. The filter should rest at the angle shown.
7. Replace the vent grille and 2 screws, and then close the door. Turn the power back on, and then set the clock.



Samsung Microwave User Manual

Tina Nupur



Samsung Microwave User Manual:

Virgin Mobile Samsung M950 Galaxy Reverb User Manual , [Gizmocooks Microwave Cooking Indian Style - Easy Mithai Cookbook for Samsung model MC28M6055AK](#) Tina Nupur, Did you Know Every microwave oven is unique in terms of its cavity size rated power output accessories features settings Recipes therefore need to be customized to a specific model for accurate cooking results Gizmocooks presents customized eBooks with recipe meticulously tested to suit YOUR model of microwave oven Surprise your loved ones this festive season with some home cooked microwave mithai Make laddoos burfis halwas kheers in YOUR microwave oven with Easy Mithai Cookbook What s more Each recipe has been meticulously tested and adapted to suit a specific model of a specific brand Do check your model number given on the reverse of your microwave oven on the serial number plate before downloading This will ensure that you get accurate results EVERYTIME Our recipes are easy to understand and use off the shelf ingredients usually available in most Indian kitchens Separate sections have been added to guide you through setting of the control panel for each function in your microwave oven Also included is a section that details the features of your microwave oven and their uses in everyday cooking Features of our eBooks To help you understand your microwave ovens better our eBooks have been divided into various sections v Microwave Oven Basics v An insight into microwave technology v Microwave ovens and safety v Factors affecting microwave cookery v Microwave cooking techniques v Microwave cookware selection v Reheating and defrosting food in a microwave oven v Cleaning maintenance v Tried and tested Recipes with customized cooking times that are suitable for YOUR microwave oven v English to Hindi Glossary

Gizmocooks Microwave Cooking Indian Style - Easy Mithai Cookbook for Samsung model CE77JD-SB Tina Nupur, Did you Know Every microwave oven is unique in terms of its cavity size rated power output accessories features settings Recipes therefore need to be customized to a specific model for accurate cooking results Gizmocooks presents customized eBooks with recipe meticulously tested to suit YOUR model of microwave oven Surprise your loved ones this festive season with some home cooked microwave mithai Make laddoos burfis halwas kheers in YOUR microwave oven with Easy Mithai Cookbook What s more Each recipe has been meticulously tested and adapted to suit a specific model of a specific brand Do check your model number given on the reverse of your microwave oven on the serial number plate before downloading This will ensure that you get accurate results EVERYTIME Our recipes are easy to understand and use off the shelf ingredients usually available in most Indian kitchens Separate sections have been added to guide you through setting of the control panel for each function in your microwave oven Also included is a section that details the features of your microwave oven and their uses in everyday cooking Features of our eBooks To help you understand your microwave ovens better our eBooks have been divided into various sections v Microwave Oven Basics v An insight into microwave technology v Microwave ovens and safety v Factors affecting microwave cookery v Microwave cooking techniques v Microwave cookware selection v Reheating and defrosting food in a microwave oven v Cleaning maintenance v Tried and

tested Recipes with customized cooking times that are suitable for YOUR microwave oven v English to Hindi Glossary

Gizmocooks Microwave Cooking Indian Style - Easy Mithai Cookbook for Samsung model CE77JD-LB Tina Nupur, Did you Know Every microwave oven is unique in terms of its cavity size rated power output accessories features settings Recipes therefore need to be customized to a specific model for accurate cooking results Gizmocooks presents customized eBooks with recipe meticulously tested to suit YOUR model of microwave oven Surprise your loved ones this festive season with some home cooked microwave mithai Make laddoos burfis halwas kheers in YOUR microwave oven with Easy Mithai Cookbook What s more Each recipe has been meticulously tested and adapted to suit a specific model of a specific brand Do check your model number given on the reverse of your microwave oven on the serial number plate before downloading This will ensure that you get accurate results EVERYTIME Our recipes are easy to understand and use off the shelf ingredients usually available in most Indian kitchens Separate sections have been added to guide you through setting of the control panel for each function in your microwave oven Also included is a section that details the features of your microwave oven and their uses in everyday cooking Features of our eBooks To help you understand your microwave ovens better our eBooks have been divided into various sections v Microwave Oven Basics v An insight into microwave technology v Microwave ovens and safety v Factors affecting microwave cookery v Microwave cooking techniques v Microwave cookware selection v Reheating and defrosting food in a microwave oven v Cleaning maintenance v Tried and tested Recipes with customized cooking times that are suitable for YOUR microwave oven v English to Hindi Glossary

Gizmocooks Microwave Cooking Indian Style - Easy Mithai Cookbook for Samsung model MC32J7055VB Tina Nupur, Did you Know Every microwave oven is unique in terms of its cavity size rated power output accessories features settings Recipes therefore need to be customized to a specific model for accurate cooking results Gizmocooks presents customized eBooks with recipe meticulously tested to suit YOUR model of microwave oven Surprise your loved ones this festive season with some home cooked microwave mithai Make laddoos burfis halwas kheers in YOUR microwave oven with Easy Mithai Cookbook What s more Each recipe has been meticulously tested and adapted to suit a specific model of a specific brand Do check your model number given on the reverse of your microwave oven on the serial number plate before downloading This will ensure that you get accurate results EVERYTIME Our recipes are easy to understand and use off the shelf ingredients usually available in most Indian kitchens Separate sections have been added to guide you through setting of the control panel for each function in your microwave oven Also included is a section that details the features of your microwave oven and their uses in everyday cooking Features of our eBooks To help you understand your microwave ovens better our eBooks have been divided into various sections v Microwave Oven Basics v An insight into microwave technology v Microwave ovens and safety v Factors affecting microwave cookery v Microwave cooking techniques v Microwave cookware selection v Reheating and defrosting food in a microwave oven v Cleaning maintenance v Tried and tested Recipes with customized cooking times that are suitable for YOUR

microwave oven v English to Hindi Glossary **Gizmocooks Microwave Cooking Indian Style - Easy Mithai Cookbook for Samsung model MC28H5033CK** Tina Nupur, Did you Know Every microwave oven is unique in terms of its cavity size rated power output accessories features settings Recipes therefore need to be customized to a specific model for accurate cooking results Gizmocooks presents customized eBooks with recipe meticulously tested to suit YOUR model of microwave oven Surprise your loved ones this festive season with some home cooked microwave mithai Make laddoos burfis halwas kheers in YOUR microwave oven with Easy Mithai Cookbook What s more Each recipe has been meticulously tested and adapted to suit a specific model of a specific brand Do check your model number given on the reverse of your microwave oven on the serial number plate before downloading This will ensure that you get accurate results EVERYTIME Our recipes are easy to understand and use off the shelf ingredients usually available in most Indian kitchens Separate sections have been added to guide you through setting of the control panel for each function in your microwave oven Also included is a section that details the features of your microwave oven and their uses in everyday cooking Features of our eBooks To help you understand your microwave ovens better our eBooks have been divided into various sections v Microwave Oven Basics v An insight into microwave technology v Microwave ovens and safety v Factors affecting microwave cookery v Microwave cooking techniques v Microwave cookware selection v Reheating and defrosting food in a microwave oven v Cleaning maintenance v Tried and tested Recipes with customized cooking times that are suitable for YOUR microwave oven v English to Hindi Glossary *Gizmocooks Microwave Cooking Indian Style - Easy Mithai Cookbook for Samsung model CE1041DSB2* Tina Nupur, Did you Know Every microwave oven is unique in terms of its cavity size rated power output accessories features settings Recipes therefore need to be customized to a specific model for accurate cooking results Gizmocooks presents customized eBooks with recipe meticulously tested to suit YOUR model of microwave oven Surprise your loved ones this festive season with some home cooked microwave mithai Make laddoos burfis halwas kheers in YOUR microwave oven with Easy Mithai Cookbook What s more Each recipe has been meticulously tested and adapted to suit a specific model of a specific brand Do check your model number given on the reverse of your microwave oven on the serial number plate before downloading This will ensure that you get accurate results EVERYTIME Our recipes are easy to understand and use off the shelf ingredients usually available in most Indian kitchens Separate sections have been added to guide you through setting of the control panel for each function in your microwave oven Also included is a section that details the features of your microwave oven and their uses in everyday cooking Features of our eBooks To help you understand your microwave ovens better our eBooks have been divided into various sections v Microwave Oven Basics v An insight into microwave technology v Microwave ovens and safety v Factors affecting microwave cookery v Microwave cooking techniques v Microwave cookware selection v Reheating and defrosting food in a microwave oven v Cleaning maintenance v Tried and tested Recipes with customized cooking times that are suitable for YOUR microwave oven v English to Hindi Glossary *Gizmocooks Microwave*

Cooking Indian Style - Easy Mithai Cookbook for Samsung model CE76D Tina Nupur, Did you Know Every microwave oven is unique in terms of its cavity size rated power output accessories features settings Recipes therefore need to be customized to a specific model for accurate cooking results Gizmocooks presents customized eBooks with recipe meticulously tested to suit YOUR model of microwave oven Surprise your loved ones this festive season with some home cooked microwave mithai Make laddoos burfis halwas kheers in YOUR microwave oven with Easy Mithai Cookbook What s more Each recipe has been meticulously tested and adapted to suit a specific model of a specific brand Do check your model number given on the reverse of your microwave oven on the serial number plate before downloading This will ensure that you get accurate results EVERYTIME Our recipes are easy to understand and use off the shelf ingredients usually available in most Indian kitchens Separate sections have been added to guide you through setting of the control panel for each function in your microwave oven Also included is a section that details the features of your microwave oven and their uses in everyday cooking Features of our eBooks To help you understand your microwave ovens better our eBooks have been divided into various sections v Microwave Oven Basics v An insight into microwave technology v Microwave ovens and safety v Factors affecting microwave cookery v Microwave cooking techniques v Microwave cookware selection v Reheating and defrosting food in a microwave oven v Cleaning maintenance v Tried and tested Recipes with customized cooking times that are suitable for YOUR microwave oven v English to Hindi Glossary [Gizmocooks Microwave Cooking Indian Style - Easy Mithai Cookbook for Samsung model MC32F605TCT](#) Tina Nupur, Did you Know Every microwave oven is unique in terms of its cavity size rated power output accessories features settings Recipes therefore need to be customized to a specific model for accurate cooking results Gizmocooks presents customized eBooks with recipe meticulously tested to suit YOUR model of microwave oven Surprise your loved ones this festive season with some home cooked microwave mithai Make laddoos burfis halwas kheers in YOUR microwave oven with Easy Mithai Cookbook What s more Each recipe has been meticulously tested and adapted to suit a specific model of a specific brand Do check your model number given on the reverse of your microwave oven on the serial number plate before downloading This will ensure that you get accurate results EVERYTIME Our recipes are easy to understand and use off the shelf ingredients usually available in most Indian kitchens Separate sections have been added to guide you through setting of the control panel for each function in your microwave oven Also included is a section that details the features of your microwave oven and their uses in everyday cooking Features of our eBooks To help you understand your microwave ovens better our eBooks have been divided into various sections v Microwave Oven Basics v An insight into microwave technology v Microwave ovens and safety v Factors affecting microwave cookery v Microwave cooking techniques v Microwave cookware selection v Reheating and defrosting food in a microwave oven v Cleaning maintenance v Tried and tested Recipes with customized cooking times that are suitable for YOUR microwave oven v English to Hindi Glossary [Gizmocooks Microwave Cooking Indian Style - Easy Mithai Cookbook for Samsung model MC32J7035CK](#) Tina Nupur, Did

you Know Every microwave oven is unique in terms of its cavity size rated power output accessories features settings Recipes therefore need to be customized to a specific model for accurate cooking results Gizmocooks presents customized eBooks with recipe meticulously tested to suit YOUR model of microwave oven Surprise your loved ones this festive season with some home cooked microwave mithai Make laddoos burfis halwas kheers in YOUR microwave oven with Easy Mithai Cookbook What s more Each recipe has been meticulously tested and adapted to suit a specific model of a specific brand Do check your model number given on the reverse of your microwave oven on the serial number plate before downloading This will ensure that you get accurate results EVERYTIME Our recipes are easy to understand and use off the shelf ingredients usually available in most Indian kitchens Separate sections have been added to guide you through setting of the control panel for each function in your microwave oven Also included is a section that details the features of your microwave oven and their uses in everyday cooking Features of our eBooks To help you understand your microwave ovens better our eBooks have been divided into various sections v Microwave Oven Basics v An insight into microwave technology v Microwave ovens and safety v Factors affecting microwave cookery v Microwave cooking techniques v Microwave cookware selection v Reheating and defrosting food in a microwave oven v Cleaning maintenance v Tried and tested Recipes with customized cooking times that are suitable for YOUR microwave oven v English to Hindi Glossary

Delve into the emotional tapestry woven by Crafted by in **Samsung Microwave User Manual** . This ebook, available for download in a PDF format (*), is more than just words on a page; it is a journey of connection and profound emotion. Immerse yourself in narratives that tug at your heartstrings. Download now to experience the pulse of each page and let your emotions run wild.

https://crm.avenza.com/About/uploaded-files/Download_PDFS/perseids_meteor_shower_report.pdf

Table of Contents Samsung Microwave User Manual

1. Understanding the eBook Samsung Microwave User Manual
 - The Rise of Digital Reading Samsung Microwave User Manual
 - Advantages of eBooks Over Traditional Books
2. Identifying Samsung Microwave User Manual
 - Exploring Different Genres
 - Considering Fiction vs. Non-Fiction
 - Determining Your Reading Goals
3. Choosing the Right eBook Platform
 - Popular eBook Platforms
 - Features to Look for in a Samsung Microwave User Manual
 - User-Friendly Interface
4. Exploring eBook Recommendations from Samsung Microwave User Manual
 - Personalized Recommendations
 - Samsung Microwave User Manual User Reviews and Ratings
 - Samsung Microwave User Manual and Bestseller Lists
5. Accessing Samsung Microwave User Manual Free and Paid eBooks
 - Samsung Microwave User Manual Public Domain eBooks
 - Samsung Microwave User Manual eBook Subscription Services
 - Samsung Microwave User Manual Budget-Friendly Options

6. Navigating Samsung Microwave User Manual eBook Formats
 - ePub, PDF, MOBI, and More
 - Samsung Microwave User Manual Compatibility with Devices
 - Samsung Microwave User Manual Enhanced eBook Features
7. Enhancing Your Reading Experience
 - Adjustable Fonts and Text Sizes of Samsung Microwave User Manual
 - Highlighting and Note-Taking Samsung Microwave User Manual
 - Interactive Elements Samsung Microwave User Manual
8. Staying Engaged with Samsung Microwave User Manual
 - Joining Online Reading Communities
 - Participating in Virtual Book Clubs
 - Following Authors and Publishers Samsung Microwave User Manual
9. Balancing eBooks and Physical Books Samsung Microwave User Manual
 - Benefits of a Digital Library
 - Creating a Diverse Reading Collection Samsung Microwave User Manual
10. Overcoming Reading Challenges
 - Dealing with Digital Eye Strain
 - Minimizing Distractions
 - Managing Screen Time
11. Cultivating a Reading Routine Samsung Microwave User Manual
 - Setting Reading Goals Samsung Microwave User Manual
 - Carving Out Dedicated Reading Time
12. Sourcing Reliable Information of Samsung Microwave User Manual
 - Fact-Checking eBook Content of Samsung Microwave User Manual
 - Distinguishing Credible Sources
13. Promoting Lifelong Learning
 - Utilizing eBooks for Skill Development
 - Exploring Educational eBooks
14. Embracing eBook Trends
 - Integration of Multimedia Elements

- Interactive and Gamified eBooks

Samsung Microwave User Manual Introduction

In this digital age, the convenience of accessing information at our fingertips has become a necessity. Whether its research papers, eBooks, or user manuals, PDF files have become the preferred format for sharing and reading documents. However, the cost associated with purchasing PDF files can sometimes be a barrier for many individuals and organizations. Thankfully, there are numerous websites and platforms that allow users to download free PDF files legally. In this article, we will explore some of the best platforms to download free PDFs. One of the most popular platforms to download free PDF files is Project Gutenberg. This online library offers over 60,000 free eBooks that are in the public domain. From classic literature to historical documents, Project Gutenberg provides a wide range of PDF files that can be downloaded and enjoyed on various devices. The website is user-friendly and allows users to search for specific titles or browse through different categories. Another reliable platform for downloading Samsung Microwave User Manual free PDF files is Open Library. With its vast collection of over 1 million eBooks, Open Library has something for every reader. The website offers a seamless experience by providing options to borrow or download PDF files. Users simply need to create a free account to access this treasure trove of knowledge. Open Library also allows users to contribute by uploading and sharing their own PDF files, making it a collaborative platform for book enthusiasts. For those interested in academic resources, there are websites dedicated to providing free PDFs of research papers and scientific articles. One such website is Academia.edu, which allows researchers and scholars to share their work with a global audience. Users can download PDF files of research papers, theses, and dissertations covering a wide range of subjects. Academia.edu also provides a platform for discussions and networking within the academic community. When it comes to downloading Samsung Microwave User Manual free PDF files of magazines, brochures, and catalogs, Issuu is a popular choice. This digital publishing platform hosts a vast collection of publications from around the world. Users can search for specific titles or explore various categories and genres. Issuu offers a seamless reading experience with its user-friendly interface and allows users to download PDF files for offline reading. Apart from dedicated platforms, search engines also play a crucial role in finding free PDF files. Google, for instance, has an advanced search feature that allows users to filter results by file type. By specifying the file type as "PDF," users can find websites that offer free PDF downloads on a specific topic. While downloading Samsung Microwave User Manual free PDF files is convenient, its important to note that copyright laws must be respected. Always ensure that the PDF files you download are legally available for free. Many authors and publishers voluntarily provide free PDF versions of their work, but its essential to be cautious and verify the authenticity of the source before downloading Samsung Microwave User Manual. In conclusion, the internet offers numerous platforms and websites that allow users to download free PDF files legally. Whether its classic

literature, research papers, or magazines, there is something for everyone. The platforms mentioned in this article, such as Project Gutenberg, Open Library, Academia.edu, and Issuu, provide access to a vast collection of PDF files. However, users should always be cautious and verify the legality of the source before downloading Samsung Microwave User Manual any PDF files. With these platforms, the world of PDF downloads is just a click away.

FAQs About Samsung Microwave User Manual Books

How do I know which eBook platform is the best for me? Finding the best eBook platform depends on your reading preferences and device compatibility. Research different platforms, read user reviews, and explore their features before making a choice. Are free eBooks of good quality? Yes, many reputable platforms offer high-quality free eBooks, including classics and public domain works. However, make sure to verify the source to ensure the eBook credibility. Can I read eBooks without an eReader? Absolutely! Most eBook platforms offer webbased readers or mobile apps that allow you to read eBooks on your computer, tablet, or smartphone. How do I avoid digital eye strain while reading eBooks? To prevent digital eye strain, take regular breaks, adjust the font size and background color, and ensure proper lighting while reading eBooks. What the advantage of interactive eBooks? Interactive eBooks incorporate multimedia elements, quizzes, and activities, enhancing the reader engagement and providing a more immersive learning experience. Samsung Microwave User Manual is one of the best book in our library for free trial. We provide copy of Samsung Microwave User Manual in digital format, so the resources that you find are reliable. There are also many Ebooks of related with Samsung Microwave User Manual. Where to download Samsung Microwave User Manual online for free? Are you looking for Samsung Microwave User Manual PDF? This is definitely going to save you time and cash in something you should think about. If you trying to find then search around for online. Without a doubt there are numerous these available and many of them have the freedom. However without doubt you receive whatever you purchase. An alternate way to get ideas is always to check another Samsung Microwave User Manual. This method for see exactly what may be included and adopt these ideas to your book. This site will almost certainly help you save time and effort, money and stress. If you are looking for free books then you really should consider finding to assist you try this. Several of Samsung Microwave User Manual are for sale to free while some are payable. If you arent sure if the books you would like to download works with for usage along with your computer, it is possible to download free trials. The free guides make it easy for someone to free access online library for download books to your device. You can get free download on free trial for lots of books categories. Our library is the biggest of these that have literally hundreds of thousands of different products categories represented. You will also see that there are specific sites catered to different product types or categories, brands or niches related with Samsung Microwave User Manual. So depending on what exactly

you are searching, you will be able to choose e books to suit your own need. Need to access completely for Campbell Biology Seventh Edition book? Access Ebook without any digging. And by having access to our ebook online or by storing it on your computer, you have convenient answers with Samsung Microwave User Manual To get started finding Samsung Microwave User Manual, you are right to find our website which has a comprehensive collection of books online. Our library is the biggest of these that have literally hundreds of thousands of different products represented. You will also see that there are specific sites catered to different categories or niches related with Samsung Microwave User Manual So depending on what exactly you are searching, you will be able to choose ebook to suit your own need. Thank you for reading Samsung Microwave User Manual. Maybe you have knowledge that, people have search numerous times for their favorite readings like this Samsung Microwave User Manual, but end up in harmful downloads. Rather than reading a good book with a cup of coffee in the afternoon, instead they juggled with some harmful bugs inside their laptop. Samsung Microwave User Manual is available in our book collection an online access to it is set as public so you can download it instantly. Our digital library spans in multiple locations, allowing you to get the most less latency time to download any of our books like this one. Merely said, Samsung Microwave User Manual is universally compatible with any devices to read.

Find Samsung Microwave User Manual :

[perseids meteor shower report](#)

[perkins generator repair manual w54414n1475254](#)

permanent magnet dc motor design

[periodic table puns answers](#)

[peregoy and boyle 6th edition](#)

persona portable answer guide

perkins diesel engine overhaul manual 4000 series

[peppermint balls and recipe](#)

perkins p550e manual

[personal essay on parents divorce](#)

[personal views explorations in film](#)

perfect world pharmacist guide

[personal construct psychology in clinical practice](#)

personal biography template

[performance manual a320](#)

Samsung Microwave User Manual :

17 printable wedding games that are for real fun the knot - Mar 04 2022

web jul 17 2023 1 who knows the couple best printable wedding game photo sayidoprintables customize this game with deep questions to see how well your loved ones know you or so they can learn more about you and your partner the rules are simple guests fill in the blanks with the correct answer and whoever has the most correct

top 23 free printable bridal shower games for your party - Jul 08 2022

web mar 26 2023 1 guess the dress bridal game check out the whole collection in our shop blush floral guess the dress game card download free printable definitely this one is one of the most entertaining and creative bridal shower printables you can download for free you can play and draw such a gorgeous dress how to play

bridal shower scattergories free printable wedding game pa - Jun 07 2022

web apr 14 2023 sharing is caring bridal shower scattergories is a really fun ice breaker game to play at your bridal shower or wedding shower download a free printable game card 2 versions below download both versions of the bridal shower scattergories below

bridal shower game templates 12 printable and editable etsy - May 18 2023

web aug 5 2023 bridal shower game templates 12 printable and editable bridal shower games minimalistic and modern wedding shower games

bridal shower games templates corjl - Aug 21 2023

web these ready to play games are printable and just awaiting your touch layout can be difficult sometimes but these are created ready for you to type in the aspects that pertain to your bride or play how they are switch the colors or font and make these games perfect to fit the theme of your shower

the 15 best free printable bridal shower games to play - Apr 05 2022

web mar 23 2023 published march 23 2023 last updated may 10 2023 affiliate disclosure as an amazon associate i earn from qualifying purchases make your job as a shower host easy with these free printable bridal shower games pick from 15 different fun wedding shower games to print and play

free printable bridal shower game template everyday dishes - Dec 13 2022

web sep 6 2013 our printable bridal shower game is absolutely free ready in minutes and a great way to learn more about the bride we have two versions of this game the questions printable has questions already filled in it is super fun and even a little saucy

bride or groom bridal shower games editable template instant - Nov 12 2022

web a bride or groom game is such a fun way to find out more about the soon to be weds and to see who knows the couple best these beautiful green and gold bridal shower game cards are perfect for a greenery or garden bridal shower this bridal shower game template is editable in adobe acrobat reader free download

[30 best free printable bridal shower games mypartygames.com](#) - May 06 2022

web given below is a list of all the 30 best free printable bridal shower bachelorette party and hen s party games that i am offering on this website december 22 2022 leave a comment free printable i love you around the world game expressing love and hearing the expression of love are some feel good emotions for sure

[bridal shower games template etsy](#) - Feb 03 2022

web bridal shower games greenery wedding shower games printable bachelorette shower games editable bridal party games bride or groom game small crossword for wedding bridal shower or engagement party template fully customizable diy paper game hand held size video tutorial

21 free downloadable bridal shower games printable pa - Apr 17 2023

web apr 8 2023 if you are looking for a fun and fast game to play at your wedding shower or bridal shower wedding word search or bridal shower word search is the perfect game for you below you will find a free game card printable answer key included instructions on how to play the game and step by step instructions

[bridal shower games templates etsy](#) - Jun 19 2023

web check out our bridal shower games templates selection for the very best in unique or custom handmade pieces from our party games shops

12 free printable bridal shower games modern moh - Oct 11 2022

web jan 8 2020 12 free printable bridal shower games updated on august 13 2023 the key to a successful bridal shower is to sprinkle in enough icebreakers that guests are getting to know one another without all the dreaded awkwardness these icebreakers come in the form of bridal shower games and trust us when we say there are too many to

[wedding game templates etsy](#) - Jan 02 2022

web the wedding shoe printable bridal shower wedding game fun couple game greenery and gold hens bachelorette party instant download g2 11 5k 3 19 3 75 15 off minimalist wedding crossword puzzle template wedding game for reception sign large wedding crossword template wedding custom sign printable 64 3 73

[bridal shower game templates littlesizzle](#) - Mar 16 2023

web we offer game packs with 4 bridal shower games and 8 bridal shower games these popular bridal shower game templates are instant downloads so simply download and print as many times as you need print the games right from your computer in a matter of minutes or have the bridal shower game templates printed at your favorite print shop

free and customizable bridal shower templates canva - Jan 14 2023

web explore professionally designed bridal shower templates you can customize and share easily from canva

the 11 best printable bridal shower games for your party - Aug 09 2022

web apr 28 2017 the 11 best printable bridal shower games for your party beloved floral red flower girl dresses and ring bearer outfits princess cut asscher cut cushion cut emerald cut pear cut radiant cut round cut oval cut wedding rings wedding jewelry wedding accessories ideas advice parties events wedding showers

17 free printable bridal shower games bridal shower 101 - Feb 15 2023

web nov 24 2020 here are 17 free printable bridal shower games instructions in order to download your printable bridal shower game simply click the image for the full media file each game has a link in the title to the original blog post and to more game instructions

bridal game templates etsy - Jul 20 2023

web bridal shower games minimalist wedding shower games printable bridal shower games editable bridal party games bride or groom game 2 8k sale price 4 99 4 99

bridal game template etsy - Sep 10 2022

web bridal game template 1 40 of 5 000 results price shipping all sellers editable whats in your purse game boho eucalyptus bridal shower games printable templett template digital download mintytemplates 147 3 59

how to trade gold in times of market volatility fx empire - Oct 24 2021

web sep 12 2023 recent policy guidance suggests it could even be a close vote this month in place of concerns about inflation before august the monetary policy committee is

one strategy for all markets by j l lord goodreads - Apr 10 2023

whether you are seasoned marketing pro or a budding entrepreneur develop your marketing prowess by building job ready skills with the meta see more

marketing strategies 17 examples plus tips for writing one - Apr 29 2022

web jul 30 2020 marketing mix the 4 ps of marketing when creating a marketing strategy an organization must conduct market research to understand the target market know its

18 marketing strategies 10 examples from top brands - Nov 24 2021

web 12 hours ago strategy 3 dollar cost averaging dollar cost averaging is a measured investment strategy in which a trader commits a fixed amount of money to open

market analysis by mckinsey alum stratechi com - Jan 07 2023

web j l lord one strategy for all markets traded by only a select few professional traders on the floor and often incorrectly at

that this manual takes you from soup to nuts on the

j l lord one strategy for all markets amazon for trader - May 11 2023

there are many different approaches to marketing such as social media marketing or content marketing but strategies for market growth can be found in ansoff s matrix see more

one strategy for all markets by j l lord goodreads - Jun 12 2023

a marketing strategy can set you up for marketing success as you are creating your own marketing strategy consider the following steps to see more

one strategy for all markets table of contents - Mar 09 2023

web jan 3 2022 why just one trading strategy most successful traders only use one or two strategies a strategy is a specific set of conditions which outline when you will enter

7 trading strategies every trader should know cmc - Dec 06 2022

web jan 1 2010 this book teaches the reader how to put on trades where there could be virtually no risk of loss provided the market doesn t crash more than 800 dow points in a

marketing strategy what it is and how to create one - Aug 14 2023

a marketing strategy is an overview of how a business or organization will articulate its value proposition to its customers generally a marketing strategy outlines business goals target market buyer personas competitors and value for customers it provides a long term vision for overall marketing see more

j l lord one strategy for all markets download course - Nov 05 2022

web introduction circumstances and considerations step 1 select an underlying indexes stock step 2 decide bullish bearish or neutral oex option chain call vs put spread for even

home onestopstrategy com - Jul 21 2021

web sep 13 2023 cold storage can take two different approaches a greenfield project or a retrofit greenfield projects typically have fewer constraints but planning and permitting

uaw strikes and possible lockouts everything you need to know - May 19 2021

central banks set for higher for longer to fight inflation - Sep 22 2021

web feb 5 2022 1mg marketing strategy during covid 19 during covid 19 the public s desire for trustworthy up to date information necessitated a content management

1mg marketing strategy how it used content to drive sales - Aug 22 2021

web 2 days ago onestopstrategy com is your one stop f1 destination we bring you the latest formula 1 news every day the

website is part of pgl media and founded in 1999 under

8 steps to create a complete marketing strategy in - Oct 04 2022

web dec 17 2018 ebook trading strategy markets j l lord traded by only a select few professional traders on the floor and often incorrectly at that this manual takes you from

marketing strategy what it is how it works how to create one - Jan 27 2022

web build a clear measurable marketing strategic plan aligned to your organizational goals combat 7 costly planning mistakes to develop a robust and agile strategy for your

amd one strategy would not work equally across all markets - Sep 03 2022

web sep 1 2021 by itp staff amd one strategy would not work equally across all markets amd has increased its focus on the consumer and commercial smb segment driving

traders master one strategy before learning others the balance - Jul 13 2023

people often use the terms marketing strategy and marketing plan interchangeably but in reality they are two different see more

one strategy for all markets table of contents random walk - May 31 2022

web jul 31 2023 learning more about marketing strategies can improve your methods of reaching your target audience in this article we explain what a marketing strategy is

create a marketing strategy that wins customers gartner - Dec 26 2021

web sep 14 2023 18 powerful marketing strategies to grow business faster examples april 14 2023 marketing by vinay koshy the best marketing strategies of all time

marketing strategy wikipedia - Aug 02 2022

web may 26 2021 how to create a winning marketing strategy in 5 steps with examples by michal pecánek reviewed by joshua hardwick may 26 2021 16 min read a marketing

marketing strategy overview how to develop 4 p s - Mar 29 2022

web 1 define target market 2 explain target market strategies target markets defined ultimately the purpose of segmenting a market is to highlight the differences between

looking for new global markets bigger isn t always - Feb 08 2023

web one strategy for all markets by j l lord goodreads jump to ratings and reviews want to read buy on amazon rate this book no one size fits all solution for cold storage design and - Jun 19 2021

web 1 day ago detroit the united auto workers union said it was prepared to conduct unprecedented targeted strikes against ford motor general motors and stellantis if the

how to create a marketing strategy in 5 steps with examples - Jul 01 2022

web option fundamentals 9 calls 11 puts 11 call and put variables 12 strike price 13 expiration 13 interest rates rho 15 volatility vega 15 decay theta 16 intrinsic value 17

5 5 selecting target markets principles of marketing openstax - Feb 25 2022

web may 15 2023 a thorough marketing strategy covers the four ps of marketing product price place and promotion key takeaways a marketing strategy is a business s game

introduction to management schermerhorn 12th edition pdf - Feb 01 2022

web apr 29 2009 there are many new things to look for in this edition along with updates of core material management 10 e offers a number of changes in the organization

[schermerhorn introduction to management 12th edition](#) - Sep 08 2022

web real world practices and current thinking in the field the 12th edition of strategic management features an increased emphasis on the changing global economy and

schermerhorn introduction to management 12th edition - Feb 13 2023

web schermerhorn introduction to management 12th edition international student version instructor companion site

management 12th edition book o reilly media - Mar 14 2023

web 1 introducing management working today organizations managers the management process learning how to manage further reflection self awareness self assessment

[introduction to management john r schermerhorn google](#) - Sep 20 2023

web dec 14 2012 thoroughly updated while maintaining its trusted balance of concepts and applications introduction to management 12th edition allows you to present the most

schermerhorn introduction to management 12th edition - Apr 15 2023

web schermerhorn introduction to management 12th edition international student version home browse by chapter entrepreneurship and small business management

introduction to management schermerhorn 12th edition copy - Aug 07 2022

web principles of management prakash chandra tripathi 2012 introduction to management john r schermerhorn 2012 12 14 we ve got you covered for principles of

introduction to management john r schermerhorn google - Aug 19 2023

web completely updated and revised this eleventh edition arms managers with the business tools they ll need to succeed the nbsp text presents managerial concepts and theory

amazon com management 12th edition ebook schermerhorn - Nov 10 2022

web we ve got you covered for principles of management with john schermerhorn s management 12th edition from new cases and self assessments to the fast

management 12th edition schermerhorn jr john r - Jan 12 2023

web apr 29 2009 13th edition international student version paperback 544 pages more details want to read rate this book 1 of 5 stars 2 of 5 stars 3 of 5 stars 4 of 5 stars 5

management 12th edition john r schermerhorn google books - May 16 2023

web oct 1 2012 wiley global education oct 1 2012 business economics 624 pages we ve got you covered for principles of management with john schermerhorn s

introduction to management schermerhorn 12th edition - Oct 09 2022

web schermerhorn introduction to management 12th edition international

introduction to management schermerhorn 12th edition carlene - Oct 29 2021

management john r schermerhorn jr google books - May 04 2022

web jan 1 2017 introduction to management 13th edition john r schermerhorn jr daniel g 9788126558186 amazon com books

editions of introduction to management by john r schermerhorn - Dec 11 2022

web oct 10 2012 management 12th edition kindle edition by schermerhorn john r download it once and read it on your kindle device pc phones or tablets use features

schmermerhorn introduction to management 12th edition wiley - Jun 17 2023

web welcome to the web site for introduction to management twelfth edition international student version by john r schermerhorn this web site gives you access to the rich

schmermerhorn introduction to management 12th edition - Mar 02 2022

web the pages of introduction to management schermerhorn 12th edition an enchanting literary value overflowing with natural emotions lies an immersive symphony waiting to

schmermerhorn management 12th edition - Jul 06 2022

web sep 3 2023 management 12th edition john r schermerhorn 2012 10 01 we ve got you covered for principles of management with john schermerhorn s management

introduction to management 13th edition amazon com - Apr 03 2022

web schermerhorn introduction to management 12th edition international student version home browse by chapter browse by chapter

introduction to management schermerhorn 12th pdf uniport edu - Jun 05 2022

web oct 18 2010 completely updated and revised this eleventh edition arms managers with the business tools they ll need to succeed the book presents managerial concepts and

introduction to management schermerhorn 12th edition nathan - Nov 29 2021

web introduction to management john r schermerhorn 2012 12 14 we ve got you covered for principles of management with john schermerhorn s introduction to management

management 12th edition wiley - Jul 18 2023

web we ve got you covered for principles of management with john schermerhorn s management 12th edition from new cases and self assessments to the fast

introduction to management john r schermerhorn google - Dec 31 2021

web management schermerhorn 12th edition and collections to check out we additionally offer variant types and also type of the books to browse the welcome book fiction