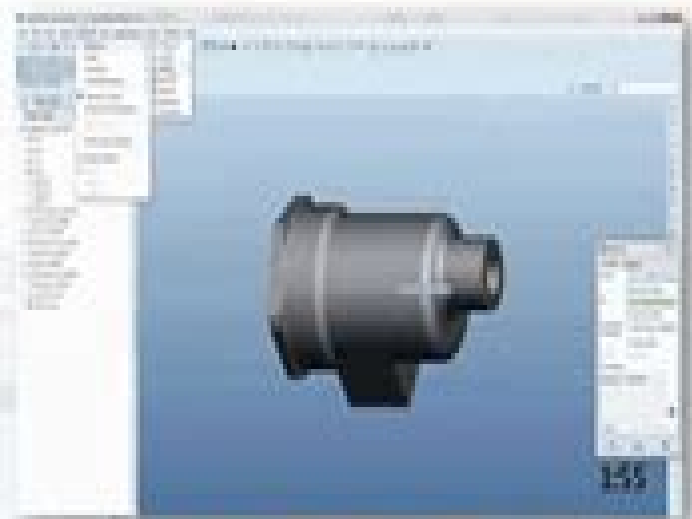


Creo Parametric 2.0



Pro/ENGINEER Wildfire 5.0

PTC

Pro Engineer Creo User Guide

Clemens Wendtner



Pro Engineer Creo User Guide:

Recognizing the pretension ways to get this ebook **Pro Engineer Creo User Guide** is additionally useful. You have remained in right site to start getting this info. acquire the Pro Engineer Creo User Guide associate that we pay for here and check out the link.

You could purchase lead Pro Engineer Creo User Guide or acquire it as soon as feasible. You could speedily download this Pro Engineer Creo User Guide after getting deal. So, next you require the books swiftly, you can straight get it. Its therefore entirely easy and hence fats, isnt it? You have to favor to in this freshen

https://crm.avenza.com/data/publication/Download_PDFS/Payroll%20Accounting%20edition%20Bieg%20And%20Toland%20Answer%20Key.pdf

Table of Contents Pro Engineer Creo User Guide

1. Understanding the eBook Pro Engineer Creo User Guide
 - The Rise of Digital Reading Pro Engineer Creo User Guide
 - Advantages of eBooks Over Traditional Books
2. Identifying Pro Engineer Creo User Guide
 - Exploring Different Genres
 - Considering Fiction vs. Non-Fiction
 - Determining Your Reading Goals
3. Choosing the Right eBook Platform
 - Popular eBook Platforms
 - Features to Look for in an Pro Engineer Creo User Guide
 - User-Friendly Interface
4. Exploring eBook Recommendations from Pro Engineer Creo User Guide
 - Personalized Recommendations
 - Pro Engineer Creo User Guide User Reviews and Ratings
 - Pro Engineer Creo User Guide and Bestseller Lists

5. Accessing Pro Engineer Creo User Guide Free and Paid eBooks
 - Pro Engineer Creo User Guide Public Domain eBooks
 - Pro Engineer Creo User Guide eBook Subscription Services
 - Pro Engineer Creo User Guide Budget-Friendly Options
6. Navigating Pro Engineer Creo User Guide eBook Formats
 - ePub, PDF, MOBI, and More
 - Pro Engineer Creo User Guide Compatibility with Devices
 - Pro Engineer Creo User Guide Enhanced eBook Features
7. Enhancing Your Reading Experience
 - Adjustable Fonts and Text Sizes of Pro Engineer Creo User Guide
 - Highlighting and Note-Taking Pro Engineer Creo User Guide
 - Interactive Elements Pro Engineer Creo User Guide
8. Staying Engaged with Pro Engineer Creo User Guide
 - Joining Online Reading Communities
 - Participating in Virtual Book Clubs
 - Following Authors and Publishers Pro Engineer Creo User Guide
9. Balancing eBooks and Physical Books Pro Engineer Creo User Guide
 - Benefits of a Digital Library
 - Creating a Diverse Reading Collection Pro Engineer Creo User Guide
10. Overcoming Reading Challenges
 - Dealing with Digital Eye Strain
 - Minimizing Distractions
 - Managing Screen Time
11. Cultivating a Reading Routine Pro Engineer Creo User Guide
 - Setting Reading Goals Pro Engineer Creo User Guide
 - Carving Out Dedicated Reading Time
12. Sourcing Reliable Information of Pro Engineer Creo User Guide
 - Fact-Checking eBook Content of Pro Engineer Creo User Guide
 - Distinguishing Credible Sources
13. Promoting Lifelong Learning

- Utilizing eBooks for Skill Development
 - Exploring Educational eBooks
14. Embracing eBook Trends
- Integration of Multimedia Elements
 - Interactive and Gamified eBooks

Pro Engineer Creo User Guide Introduction

In today's digital age, the availability of Pro Engineer Creo User Guide books and manuals for download has revolutionized the way we access information. Gone are the days of physically flipping through pages and carrying heavy textbooks or manuals. With just a few clicks, we can now access a wealth of knowledge from the comfort of our own homes or on the go. This article will explore the advantages of Pro Engineer Creo User Guide books and manuals for download, along with some popular platforms that offer these resources. One of the significant advantages of Pro Engineer Creo User Guide books and manuals for download is the cost-saving aspect. Traditional books and manuals can be costly, especially if you need to purchase several of them for educational or professional purposes. By accessing Pro Engineer Creo User Guide versions, you eliminate the need to spend money on physical copies. This not only saves you money but also reduces the environmental impact associated with book production and transportation. Furthermore, Pro Engineer Creo User Guide books and manuals for download are incredibly convenient. With just a computer or smartphone and an internet connection, you can access a vast library of resources on any subject imaginable. Whether you're a student looking for textbooks, a professional seeking industry-specific manuals, or someone interested in self-improvement, these digital resources provide an efficient and accessible means of acquiring knowledge. Moreover, PDF books and manuals offer a range of benefits compared to other digital formats. PDF files are designed to retain their formatting regardless of the device used to open them. This ensures that the content appears exactly as intended by the author, with no loss of formatting or missing graphics. Additionally, PDF files can be easily annotated, bookmarked, and searched for specific terms, making them highly practical for studying or referencing. When it comes to accessing Pro Engineer Creo User Guide books and manuals, several platforms offer an extensive collection of resources. One such platform is Project Gutenberg, a nonprofit organization that provides over 60,000 free eBooks. These books are primarily in the public domain, meaning they can be freely distributed and downloaded. Project Gutenberg offers a wide range of classic literature, making it an excellent resource for literature enthusiasts. Another popular platform for Pro Engineer Creo User Guide books and manuals is Open Library. Open Library is an initiative of the Internet Archive, a non-profit organization dedicated to digitizing cultural artifacts and making them accessible to the public. Open Library hosts millions of books, including both public domain works and contemporary titles. It also allows users to

borrow digital copies of certain books for a limited period, similar to a library lending system. Additionally, many universities and educational institutions have their own digital libraries that provide free access to PDF books and manuals. These libraries often offer academic texts, research papers, and technical manuals, making them invaluable resources for students and researchers. Some notable examples include MIT OpenCourseWare, which offers free access to course materials from the Massachusetts Institute of Technology, and the Digital Public Library of America, which provides a vast collection of digitized books and historical documents. In conclusion, Pro Engineer Creo User Guide books and manuals for download have transformed the way we access information. They provide a cost-effective and convenient means of acquiring knowledge, offering the ability to access a vast library of resources at our fingertips. With platforms like Project Gutenberg, Open Library, and various digital libraries offered by educational institutions, we have access to an ever-expanding collection of books and manuals. Whether for educational, professional, or personal purposes, these digital resources serve as valuable tools for continuous learning and self-improvement. So why not take advantage of the vast world of Pro Engineer Creo User Guide books and manuals for download and embark on your journey of knowledge?

FAQs About Pro Engineer Creo User Guide Books

1. Where can I buy Pro Engineer Creo User Guide books? Bookstores: Physical bookstores like Barnes & Noble, Waterstones, and independent local stores. Online Retailers: Amazon, Book Depository, and various online bookstores offer a wide range of books in physical and digital formats.
2. What are the different book formats available? Hardcover: Sturdy and durable, usually more expensive. Paperback: Cheaper, lighter, and more portable than hardcovers. E-books: Digital books available for e-readers like Kindle or software like Apple Books, Kindle, and Google Play Books.
3. How do I choose a Pro Engineer Creo User Guide book to read? Genres: Consider the genre you enjoy (fiction, non-fiction, mystery, sci-fi, etc.). Recommendations: Ask friends, join book clubs, or explore online reviews and recommendations. Author: If you like a particular author, you might enjoy more of their work.
4. How do I take care of Pro Engineer Creo User Guide books? Storage: Keep them away from direct sunlight and in a dry environment. Handling: Avoid folding pages, use bookmarks, and handle them with clean hands. Cleaning: Gently dust the covers and pages occasionally.
5. Can I borrow books without buying them? Public Libraries: Local libraries offer a wide range of books for borrowing. Book Swaps: Community book exchanges or online platforms where people exchange books.

6. How can I track my reading progress or manage my book collection? Book Tracking Apps: Goodreads, LibraryThing, and Book Catalogue are popular apps for tracking your reading progress and managing book collections. Spreadsheets: You can create your own spreadsheet to track books read, ratings, and other details.
7. What are Pro Engineer Creo User Guide audiobooks, and where can I find them? Audiobooks: Audio recordings of books, perfect for listening while commuting or multitasking. Platforms: Audible, LibriVox, and Google Play Books offer a wide selection of audiobooks.
8. How do I support authors or the book industry? Buy Books: Purchase books from authors or independent bookstores. Reviews: Leave reviews on platforms like Goodreads or Amazon. Promotion: Share your favorite books on social media or recommend them to friends.
9. Are there book clubs or reading communities I can join? Local Clubs: Check for local book clubs in libraries or community centers. Online Communities: Platforms like Goodreads have virtual book clubs and discussion groups.
10. Can I read Pro Engineer Creo User Guide books for free? Public Domain Books: Many classic books are available for free as they're in the public domain. Free E-books: Some websites offer free e-books legally, like Project Gutenberg or Open Library.

Find Pro Engineer Creo User Guide :

payroll accounting 2edition biegl and toland answer key

paulos last fling english edition

pays de la loire loireatlantique

~~pawn stars autograph expert~~

pathfinder autopilot manual

~~passion fruit liqueur recipe~~

paxnl study guide

patio mate user manual

pat grade11 2014

~~pattern recognition shl tests~~

pay up a hot firefighter book english edition

payphone sungha jung tab capo 2

pathophysiology study guide for health professionals

paula-deen-lemon-drop-recipe
paul martin scouting report

Pro Engineer Creo User Guide :

rapidminer data mining use cases and business analytics - Jul 06 2022

web nov 6 2013 using rapidminer for research experimental evaluation of learners by jovanovic milos vukic evic milan delibas ic boris and suknovic milija abstract powerful flexible tools for a data driven world as the data deluge continues in today s world the need to master data mining predictive analytics and

applications use cases professional rapidminer - Feb 13 2023

web applications use cases professional ai machine learning and data science can become a competitive advantage and so everyone is interested to see if they can be applied on their problems

applications use cases of data science rapidminer - Mar 14 2023

web take a quiz to verify your knowledge and understanding of applications and use cases in rapidminer studio and ai hub at the master level knowing where when and how to put data science and machine learning into action is of great value so we created this learning path to help with that challenge

enterprise use cases rapidminer documentation - May 16 2023

web enterprise use cases the following examples describe real life use cases for rapidminer ai hub a delivery company puts their models to work and thanks to rapidminer s lightning fast real time scoring agent they can predict storage needs and estimated arrival times exactly when they need them

enterprise use cases rapidminer documentation - Aug 19 2023

web enterprise use cases the following examples describe real life use cases for rapidminer ai hub a delivery company puts their models to work and thanks to rapidminer s lightning fast real time scoring agent they can predict storage needs and estimated arrival times exactly when they need them

rapidminer data mining use cases and business analytics - May 04 2022

web apr 19 2016 powerful flexible tools for a data driven world as the data deluge continues in today s world the need to master data mining predictive analytics and business analytics has never been greater

customer stories archive rapidminer - Aug 07 2022

web customer story how ncp is reinventing customer analytics increasing engagement during covid 19 with rapidminer thomas schleicher vp of measurement and data science talks about how ncp uses rapidminer to bolster panelist engagement and provide high quality consumer data to their clients customer story

rapidminer data mining use cases and business analytics - Jan 12 2023

web this book describes data mining and case applications using rapidminer models and analytic techniques rapidminer com
rapidminer is a system for the design and documentation of an overall data mining process

case studies rapidminer - Jun 17 2023

web learn how a ldc in the natural gas industry predicts which parts of its pipeline are at the greatest risk of failure with
rapidminer optimizing water pipeline renewal learn how a water distribution company leverages the insights from
rapidminer to decide where to invest in pipeline rehabilitation replacement

rapidminer data mining and business application use cases - Mar 02 2022

web apr 12 2013 rapid miner is the most latest software used for machine learning data mining deep learning and text
mining rapid miner introduced in 2006 and it has wonderful gui and provides a lot of options

rapidminer amplify the impact of your people expertise data - Apr 03 2022

web rapidminer customer 160over90 uses data science to find hidden insights and patterns to create truly meaningful
customer segmentation and encode their products into consumers minds learn more

rapidminer cloud use cases in the real world rapidminer - Jul 18 2023

web dec 7 2014 explore rapidminer cloud use cases to help you understand real world applications for running data science
processes backed by aws

data science solutions rapidminer - Sep 20 2023

web data science solutions rapidminer has extensive experience across all industries and use cases supports your entire team
across the full analytics lifecycle we understand the specific challenges your industry and role are facing and

applications use cases master rapidminer - Dec 11 2022

web certification look inside applications use cases master when machine learning and data science is addressed it is often
overlooked that there is a great gap between producing a good model and having it run in production

rapidminer data mining use cases and business analytics - Apr 15 2023

web this book describes data mining and case applications using rapidminer models and analytic techniques the book
represents the work of more than 30 contributors managing the writing styles of so many contributors is a challenging task
and the editors are to be commended for their effort

applications use cases master welcome rapidminer - Oct 09 2022

web this course can help you prepare for the applications use cases master exam we do not cover the answers to all
questions on the exam instead we ask you to take ownership for learning understanding and practicing the topics that we
outline

rapidminer data mining use cases and business analytics - Jun 05 2022

web 440 rapidminer data mining use cases and business analytics applications is aimed at discovering the properties of a method for example an algorithm a parameter setting attribute selection

data science resource center rapidminer - Feb 01 2022

web aug 12 2022 resource center blog 12 august 2022 ingo mierswa pinned how to get your data scientists to quit turnover rates for data scientists are at an all time high in fact the average data scientist will remain in their job for less than 2 years so what exactly is causing data scientists to quit en masse let s find out [whitepaper pinned](#)

enterprise use cases rapidminer documentation - Sep 08 2022

web the following examples describe real life use cases for rapidminer server a delivery company puts their models to work and thanks to rapidminer s lightning fast real time scoring agent they can predict storage needs and estimated arrival times exactly when they need them

enterprise use cases rapidminer documentation - Nov 10 2022

web the following examples describe real life use cases for rapidminer server a delivery company puts their models to work and thanks to rapidminer s lightning fast real time scoring agent they can predict storage needs and

paulo coelho s blog the alchemist in arabic free march 21 - Apr 03 2023

web mar 21 2011 the alchemist in arabic free click on the cover and use the button save to download the edition due to the current circumstances several readers tell me that they can t find my books in some arab countries

the alchemist 1988 a novel by paulo coelho - Apr 22 2022

web paulo coelho christina oiticica foundation the alchemist follows the journey of an andalusian shepherd boy named santiago believing a recurring dream to be prophetic he asks a romani fortune teller in a nearby town about its meaning

the alchemist paulo coelho fiyat satın al d r - Aug 27 2022

web the alchemist kitap açıklaması this text is a magical fable about learning to listen to your heart read the omens strewn along life s path and above all following your dreams the book tells the story of santiago an andalusian shepherd boy who dreams of travelling the world in search of a fabulous worldly treasure sayfa sayısı 192

i read for you the alchemist by paulo coelho linkedin - Sep 27 2022

web aug 24 2022 in a less than 100 page novella paulo coelho takes his readers on an eventful exciting and cyclic journey although short and scanty in characters the alchemist stands as an unrivalled

maktub a book a word that changed my life medium - Mar 02 2023

web apr 14 2018 maktub is an arabic word that stands for it is written i first discovered this word when i read the alchemist by paulo coelho to say that the moment i read this book was timely is an

[the alchemist summary enotes com](#) - Feb 18 2022

web sep 13 2022 the alchemist is a novel by paulo coelho in which spanish shepherd santiago dreams of a long buried treasure in egypt he sets out on a quest to obtain the treasure after experiencing a

the alchemist coelho paulo author free download borrow - Feb 01 2023

web mar 9 2022 paulo coelho s masterpiece tells the mystical story of santiago an andalusian shepherd boy who yearns to travel in search of a worldly treasure his quest will lead him to riches far different and far more satisfying than he ever imagined

editions of the alchemist by paulo coelho goodreads - Jul 26 2022

web apr 15 2014 expand details by paulo coelho first published 1988 sort by format editions showing 1 30 of 899 the alchemist paperback published may 1st 1993 by harpercollins trade paperback edition paperback 197 pages more details want to read rate this book 1 of 5 stars 2 of 5 stars 3 of 5 stars 4 of 5 stars 5 of 5 stars the

the alchemist by paulo coelho goodreads - Oct 29 2022

web jan 1 2001 paulo coelho 3 90 2 907 745 ratings 114 552 reviews combining magic mysticism wisdom and wonder into an inspiring tale of self discovery the alchemist has become a modern classic selling millions of copies around the world and transforming the lives of countless readers across generations

the alchemist in arabic free paulo coelho - Sep 08 2023

web mar 21 2011 the alchemist in arabic free author paulo coelho click on the cover and use the button save to download the edition due to the current circumstances several readers tell me that they can t find my books in some arab countries therefore i went to a pirate site and found the current edition

the alchemist by paulo coelho amazon com - May 24 2022

web apr 25 1993 paulo coelho s charming fable now available in english for the first time will enchant and inspire an even wider audience of readers for generations to come the alchemist is the magical story of santiago an andalusian shepherd boy who yearns to travel in search of a worldly treasure as extravagant as any ever found from his home in

books paulo coelho 1 alchimiste en arabe noor library - May 04 2023

web the alchemist the desert wizard paulo coelho 1 harlot paulo coelho 1 like the river that flows paulo coelho a manuscript found in accra paulo coelho paulo coelho unavailable the witch of bartopello paulo coelho 2 light warrior leaves

الخبير الخيميائي [alchemist paulo coelho in arabic](#) - Oct 09 2023

web mar 25 2023 الخيميائي [alquimista](#) 1988 [الخبير الخيميائي](#) [الخيميائي](#) [الخيميائي](#) [الخيميائي](#) [الخيميائي](#) [الخيميائي](#) [الخيميائي](#) [الخيميائي](#) [الخيميائي](#) [الخيميائي](#) [الخيميائي](#)

the alchemist [الخيميائي](#) **sawa books** - Aug 07 2023

web isbn 9789953882819 year 2018 this novel by brazilian author paulo coelho was first published in 1988 and went on to become an international bestseller it is available in more than 70 languages and has been adapted for film theatre and musical composition

the alchemist internet archive - Mar 22 2022

web paulo coelho rio de janeiro november 2002 translated by margaret jull costa prologue translated by clifford e landers t he alchemist picked up a book that someone in the caravan had brought leafing through the pages he found a story about narcissus the alchemist knew the legend of narcissus a youth who knelt

paulo coelho the alchemist free download borrow and - Jun 24 2022

web apr 12 2015 the alchemist a novel by paulo coelho addeddate 2015 04 12 00 28 52 identifier paulocoelhothealchemist identifier ark ark 13960 t3b02jf79 ocr abbyy finereader 9 0 ppi 300 scanner internet archive html5 uploader 1 6 1 plus circle add review comment reviews

the alchemist coelho paulo free download borrow and - Nov 29 2022

web language english x 182 pages 21 cm a special 25th anniversary edition of paulo coelho s extraordinary international bestselling phenomenon the inspiring spiritual tale of self discovery that has touched millions of lives around the world combing magic mysticism wisdom and wonder the alchemist has become a modern classic selling

alkitab com your source for arabic books translated paulo coelho - Jul 06 2023

web translations to arabic of literature by the award winning brazilian writer paulo coelho b 1947 coelho writes in is native portuguese and his novels have been translated and become best sellers world wide his best known novel is the alchemist which has been translated to 81 languages share by title

the alchemist novel wikipedia - Jun 05 2023

web the alchemist portuguese o alquimista is a novel by brazilian author paulo coelho which was first published in 1988 originally written in portuguese it became a widely translated international bestseller

pdf cultural assimilation as a survival technique in paulo coelho - Dec 31 2022

web paulo coelho s the alchemist is the best novel to present ecocritical elements in literature and their interconnectedness the novel is nature oriented and beckons humanity to go back to nature to preserve and protect the environment

wiring 3phase generator changeover switch bing book - Apr 29 2023

web wiring 3phase generator changeover switch bing newnes electrical pocket book may 23 2020 newnes electrical pocket book twenty first edition provides engineers with convenient access to various facts tables and formulae relating to the particular branch of engineering being dealt with

wiring 3phase generator changeover switch bing 2022 - Oct 04 2023

web wiring 3phase generator changeover switch bing downloaded from graph safehousetech com by guest sherlyn adrienne ic electrician 3 2 cengage learning h brooke stauffer and the nfpa have updated this best selling primer for designing and installing residential wiring according to the 2008 national electrical

wiring 3phase generator changeover switch bing book - Feb 25 2023

web micro electromechanical switches for micro satellite power transfer aug 21 2022 in the past few years microelectromechanical systems mems have emerged as a promising new technology

wiring 3phase generator changeover switch bing pdf uniport edu - Mar 17 2022

web apr 20 2023 download and install the wiring 3phase generator changeover switch bing it is unconditionally simple then in the past currently we extend the belong to to buy and create bargains to download and install wiring 3phase generator changeover switch bing for that reason simple

wiring 3phase generator changeover switch bing - Dec 26 2022

web studied again and compared with the previous emulation generator set electric portable diesel driven skid mounted 100 kw 127 220 volt 3 phase 60 cycle or 230 400 volt 3 phase 50 cycle buda model 8dcs 1125 jan 10 2022 operation of generators in the packaged disaster hospital jun 03 2021

wiring 3phase generator changeover switch bing pdf - Feb 13 2022

web wiring 3phase generator changeover switch bing 2 12 downloaded from uniport edu ng on may 21 2023 by guest scientists micro electromechanical switches for micro satellite power transfer glen a kading 1997 12 01 in the past few years microelectromechanical systems mems have emerged as a promising new technology with tremendous

wiring 3phase generator changeover switch bing - Sep 03 2023

web wiring 3phase generator changeover switch bing union de changeover switch nh40sz klinkmann 3 phase manual changeover switch wiring diagram somurich com wiring 3phase generator changeover switch bing

how to use 3 phase manual changeover switch youtube - May 31 2023

web aug 29 2019 this video shows a 3 phase manual changeover switch automatically when the main power resumes minimized physical activity is to start the generator it can operate at low voltage 3 phase manual

wiring 3phase generator changeover switch bing - Aug 02 2023

web wiring 3phase generator changeover switch bing indumo de june 25th 2018 read and download wiring 3phase generator changeover orientation sutd edu sg 3 7

3 phase changeover connection in three phase generator youtube - May 19 2022

web dec 3 2022 in this video you will see how to make 3 phase changeover connection in three phase generator use 4 pole changeover mcb thanks for watch this video for more

[manual changeover switch wiring diagram for 3 phase system](#) - Jul 21 2022

web manual changeover switch wiring diagram for 3 phase system changeover educationalgrow 3phasesystem
manualchangeover wiringdiagram po

wiring 3phase generator changeover switch bing copy - Apr 17 2022

web jul 3 2023 wiring 3phase generator changeover switch bing 1 9 downloaded from uniport edu ng on july 3 2023 by
guest wiring 3phase generator changeover switch bing as recognized adventure as without difficulty as experience roughly
lesson amusement as capably as accord

3 phase manual changeover switch wiring diagram for generator - Jan 27 2023

web jun 3 2017 a post about 3 phase manual changeover switch wiring diagram and installation then this post can help to
wire handle type transfer switch jun 3 3 phase manual changeover switch wiring diagram for generator electrical online 4u
all about electrical electronics

wiring diagram for generator change over switch - Nov 24 2022

web mar 6 2022 a guide to understanding wiring diagrams for generator change over switchesetting up and maintaining a
generator in your home or business requires an understanding of wiring diagrams for generator change over switches
knowing how to read a wiring diagram can make any electrical work simple and safe from changing a

quora a place to share knowledge and better understand the world - Mar 29 2023

web we would like to show you a description here but the site won t allow us

3 phase automatic changeover ats using contactors timer - Jun 19 2022

web oct 3 2023 in this article we will show how to wire an automatic changeover switch using contactors timers relays and
circuit breakers for three phase loads with the help of power and control circuit diagrams

three phase automatic changeover switch system wiring - Aug 22 2022

web in this video i want to explain how to connection automatic changeover switch system automatic changeover is an
electrical switch that switch a load between to source automatic changeover

[read free wiring 3phase generator changeover switch bing](#) - Sep 22 2022

web sep 25 2023 you could buy guide wiring 3phase generator changeover switch bing or acquire it as soon as feasible you
could quickly download this wiring 3phase generator changeover switch bing after getting deal so as soon as you require the
books swiftly you can straight get it its correspondingly categorically easy and therefore fats isnt it

how to wire a generator change over switch step by step - Jul 01 2023

web nov 19 2018 automatic changeover switch generator changeover switch ats electricalroadmap how to wire a single
phase generator change over switch

download free wiring 3phase generator changeover switch bing - Oct 24 2022

web wiring 3phase generator changeover switch bing ethernet networks feb 20 2021 ethernet networks fourth edition provides everything you need to know to plan implement manage and upgrade ethernet networks improve your skills in employing ethernet hubs switches and routers learn how to set up and operate a wireless