

Thank you for your purchasing the RPQ100 Parametric Equalizer. The RPQ100 uses T filters for equalization circuits to avoid the complexity and distortion of state-variable filters. The RPQ100 is a four-band parametric equalizer designed for years of reliable use. Please read this manual carefully to get the best results from your RPQ100.

## INSPECTION

1. Unpack and inspect the RPQ100 box and package.  
If obvious physical damage is noticed, contact the carrier immediately to make a damage claim. We suggest saving the shipping carton and packing materials for safely transporting the unit in the future.

## SPECIFICATIONS

## CONTROLS MAIN SECTION

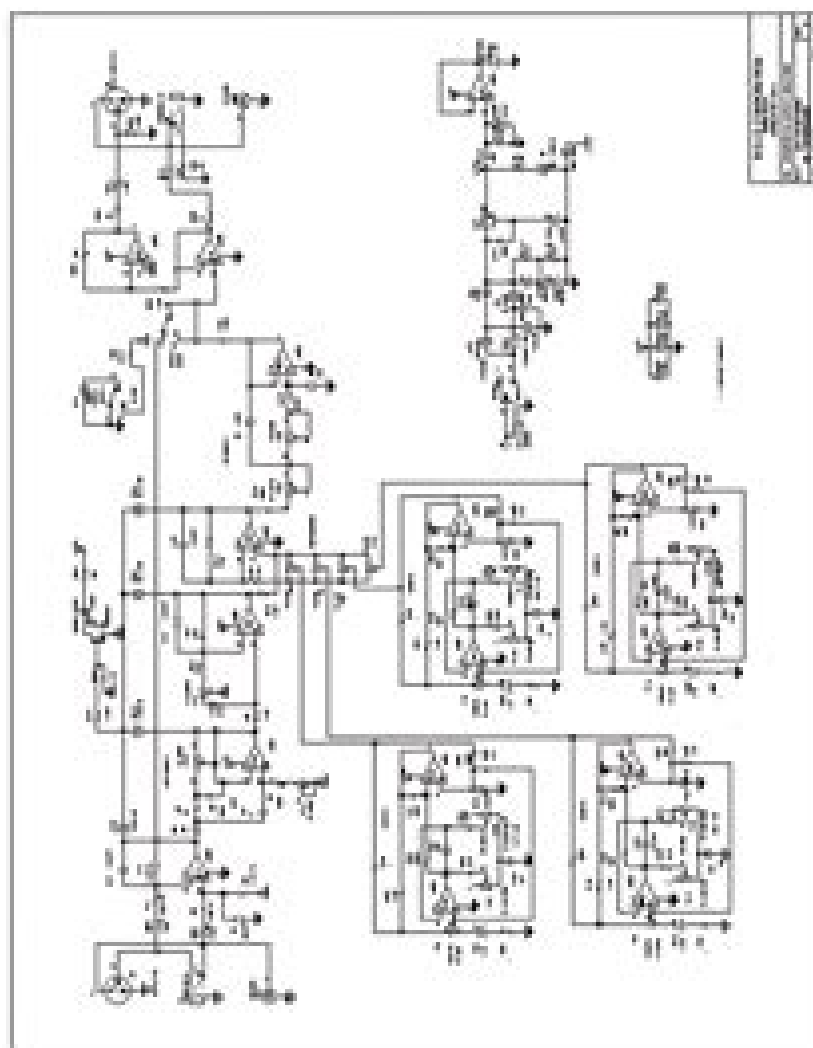
Master Level:	-12 to +12 dB
Low Shelf:	16 to 500 Hz High-pass filter
High Shelf:	1 to 30 kHz Low-pass filter
Active Switch:	Activates/bypasses equalization circuitry

## CONTROLS FREQUENCY SECTIONS

Frequency Controls:	70Hz to 1.5kHz 1.50kHz to 3kHz 3000Hz to 10kHz 6000Hz to 20kHz
Width:	.3 to 3 Octaves each band
Level:	-15 to +15 dB each band

Frequency Response:	16 Hz to 30 kHz $\pm$ 3 dB
THD:	<.03%
S/N Ratio:	>90 dB
Max Input:	+22 dB
Max Output:	+22 dB
Input Impedance:	10K $\Omega$ (20K balanced)
Output Impedance:	50 $\Omega$
Shelving Slope:	12 dB / Octave
Size:	19" x 4" x 1.75"

Weight: 4 lbs.



# Rolls Rpg160 Owners Manual

**JE Gale**



## **Rolls Rpq160 Owners Manual:**

## Reviewing **Rolls Rpq160 Owners Manual**: Unlocking the Spellbinding Force of Linguistics

In a fast-paced world fueled by information and interconnectivity, the spellbinding force of linguistics has acquired newfound prominence. Its capacity to evoke emotions, stimulate contemplation, and stimulate metamorphosis is actually astonishing. Within the pages of "**Rolls Rpq160 Owners Manual**," an enthralling opus penned by a highly acclaimed wordsmith, readers set about an immersive expedition to unravel the intricate significance of language and its indelible imprint on our lives. Throughout this assessment, we shall delve in to the book is central motifs, appraise its distinctive narrative style, and gauge its overarching influence on the minds of its readers.

[https://crm.avenza.com/data/detail/HomePages/nissan\\_primera\\_p11\\_144\\_digital\\_workshop\\_repair\\_manual\\_99\\_02.pdf](https://crm.avenza.com/data/detail/HomePages/nissan_primera_p11_144_digital_workshop_repair_manual_99_02.pdf)

### **Table of Contents Rolls Rpq160 Owners Manual**

1. Understanding the eBook Rolls Rpq160 Owners Manual
  - The Rise of Digital Reading Rolls Rpq160 Owners Manual
  - Advantages of eBooks Over Traditional Books
2. Identifying Rolls Rpq160 Owners Manual
  - Exploring Different Genres
  - Considering Fiction vs. Non-Fiction
  - Determining Your Reading Goals
3. Choosing the Right eBook Platform
  - Popular eBook Platforms
  - Features to Look for in an Rolls Rpq160 Owners Manual
  - User-Friendly Interface
4. Exploring eBook Recommendations from Rolls Rpq160 Owners Manual
  - Personalized Recommendations
  - Rolls Rpq160 Owners Manual User Reviews and Ratings
  - Rolls Rpq160 Owners Manual and Bestseller Lists

5. Accessing Rolls Rpq160 Owners Manual Free and Paid eBooks
  - Rolls Rpq160 Owners Manual Public Domain eBooks
  - Rolls Rpq160 Owners Manual eBook Subscription Services
  - Rolls Rpq160 Owners Manual Budget-Friendly Options
6. Navigating Rolls Rpq160 Owners Manual eBook Formats
  - ePub, PDF, MOBI, and More
  - Rolls Rpq160 Owners Manual Compatibility with Devices
  - Rolls Rpq160 Owners Manual Enhanced eBook Features
7. Enhancing Your Reading Experience
  - Adjustable Fonts and Text Sizes of Rolls Rpq160 Owners Manual
  - Highlighting and Note-Taking Rolls Rpq160 Owners Manual
  - Interactive Elements Rolls Rpq160 Owners Manual
8. Staying Engaged with Rolls Rpq160 Owners Manual
  - Joining Online Reading Communities
  - Participating in Virtual Book Clubs
  - Following Authors and Publishers Rolls Rpq160 Owners Manual
9. Balancing eBooks and Physical Books Rolls Rpq160 Owners Manual
  - Benefits of a Digital Library
  - Creating a Diverse Reading Collection Rolls Rpq160 Owners Manual
10. Overcoming Reading Challenges
  - Dealing with Digital Eye Strain
  - Minimizing Distractions
  - Managing Screen Time
11. Cultivating a Reading Routine Rolls Rpq160 Owners Manual
  - Setting Reading Goals Rolls Rpq160 Owners Manual
  - Carving Out Dedicated Reading Time
12. Sourcing Reliable Information of Rolls Rpq160 Owners Manual
  - Fact-Checking eBook Content of Rolls Rpq160 Owners Manual
  - Distinguishing Credible Sources
13. Promoting Lifelong Learning

- Utilizing eBooks for Skill Development
  - Exploring Educational eBooks
14. Embracing eBook Trends
- Integration of Multimedia Elements
  - Interactive and Gamified eBooks

### **Rolls Rpq160 Owners Manual Introduction**

Rolls Rpq160 Owners Manual Offers over 60,000 free eBooks, including many classics that are in the public domain. Open Library: Provides access to over 1 million free eBooks, including classic literature and contemporary works. Rolls Rpq160 Owners Manual Offers a vast collection of books, some of which are available for free as PDF downloads, particularly older books in the public domain. Rolls Rpq160 Owners Manual : This website hosts a vast collection of scientific articles, books, and textbooks. While it operates in a legal gray area due to copyright issues, its a popular resource for finding various publications. Internet Archive for Rolls Rpq160 Owners Manual : Has an extensive collection of digital content, including books, articles, videos, and more. It has a massive library of free downloadable books. Free-eBooks Rolls Rpq160 Owners Manual Offers a diverse range of free eBooks across various genres. Rolls Rpq160 Owners Manual Focuses mainly on educational books, textbooks, and business books. It offers free PDF downloads for educational purposes. Rolls Rpq160 Owners Manual Provides a large selection of free eBooks in different genres, which are available for download in various formats, including PDF. Finding specific Rolls Rpq160 Owners Manual, especially related to Rolls Rpq160 Owners Manual, might be challenging as theyre often artistic creations rather than practical blueprints. However, you can explore the following steps to search for or create your own Online Searches: Look for websites, forums, or blogs dedicated to Rolls Rpq160 Owners Manual, Sometimes enthusiasts share their designs or concepts in PDF format. Books and Magazines Some Rolls Rpq160 Owners Manual books or magazines might include. Look for these in online stores or libraries. Remember that while Rolls Rpq160 Owners Manual, sharing copyrighted material without permission is not legal. Always ensure youre either creating your own or obtaining them from legitimate sources that allow sharing and downloading. Library Check if your local library offers eBook lending services. Many libraries have digital catalogs where you can borrow Rolls Rpq160 Owners Manual eBooks for free, including popular titles. Online Retailers: Websites like Amazon, Google Books, or Apple Books often sell eBooks. Sometimes, authors or publishers offer promotions or free periods for certain books. Authors Website Occasionally, authors provide excerpts or short stories for free on their websites. While this might not be the Rolls Rpq160 Owners Manual full book , it can give you a taste of the authors writing style. Subscription Services Platforms like Kindle Unlimited or Scribd offer subscription-based access to a wide range of Rolls Rpq160 Owners Manual eBooks, including some

popular titles.

### **FAQs About Rolls Rpq160 Owners Manual Books**

How do I know which eBook platform is the best for me? Finding the best eBook platform depends on your reading preferences and device compatibility. Research different platforms, read user reviews, and explore their features before making a choice. Are free eBooks of good quality? Yes, many reputable platforms offer high-quality free eBooks, including classics and public domain works. However, make sure to verify the source to ensure the eBook credibility. Can I read eBooks without an eReader? Absolutely! Most eBook platforms offer web-based readers or mobile apps that allow you to read eBooks on your computer, tablet, or smartphone. How do I avoid digital eye strain while reading eBooks? To prevent digital eye strain, take regular breaks, adjust the font size and background color, and ensure proper lighting while reading eBooks. What the advantage of interactive eBooks? Interactive eBooks incorporate multimedia elements, quizzes, and activities, enhancing the reader engagement and providing a more immersive learning experience. Rolls Rpq160 Owners Manual is one of the best book in our library for free trial. We provide copy of Rolls Rpq160 Owners Manual in digital format, so the resources that you find are reliable. There are also many Ebooks of related with Rolls Rpq160 Owners Manual. Where to download Rolls Rpq160 Owners Manual online for free? Are you looking for Rolls Rpq160 Owners Manual PDF? This is definitely going to save you time and cash in something you should think about.

### **Find Rolls Rpq160 Owners Manual :**

[nissan primera p11 144 digital workshop repair manual 99 02](#)

[nissan sentra 2010 manual](#)

[nissan quest owners manual 2012](#)

**nissan note service manual torrent**

**nissan murano 2009 factory workshop service repair manual**

[nissan quest 2006 service repair manual](#)

**nissan sentra complete workshop repair manual 2003**

[nissan gt r r35 series full service repair manual 2014 onwards](#)

[nissan p series plp forklift service repair manual](#)

[nissan livina manual book](#)

**nissan sentra engine wiring diagram**

**nissan quest 1998 factory service repair manual**

**nissan primera p12 owners manual**

**nissan maxima qx full service repair manual 2000 2001**

nissan pathfinder model r50 series digital workshop repair manual 2001

**Rolls Rpq160 Owners Manual :**

**critical approaches to shakespeare 1623 2000 dialnet** - Aug 09 2022

web it aims to show that the richness of these different modes of reading shakespeare over time and their productive interactions have been fundamental in the constant resignification of shakespeare as they have gradually conformed and fed our critical perception and interpretation of his works

**critical approaches to shakespeare shakespeare for all time** - Mar 16 2023

web critical approaches to shakespeare shakespeare for all time english edition by marta cerezo moreno approaching shakespeare university of oxford podcasts may 22nd 2020 rather than providing overarching readings or interpretations the series aims to show the variety of different ways we might understand shakespeare the kinds of

*critical approaches to shakespeare shakespeare fo pdf* - Jan 02 2022

web aug 3 2023 critical perceptions of shakespeare s works from renaissance to modern times critical approaches to shakespeare shakespeare fo 2 12 downloaded from uniport edu ng on

*pdf cerezo moreno marta 2022 critical approaches to shakespeare* - Aug 21 2023

web jun 28 2023 critical approaches to macbeth from samuel johnson s praise of shakespeare s knowledge of human nature to alan sinfield s analysis of the tragedy through the lens of cultural materialism

*english 366 critical approaches to shakespeare universitat de* - May 18 2023

web the purpose of this document is to review a few of the more common of these critical approaches to shakespeare s plays this introductory comment should help students reflect upon their own critical practices as they read discuss and write about shakespeare s texts

*critical approaches to shakespeare shakespeare* - Jul 20 2023

web sep 28 2017 critical approaches to shakespeare shakespeare for all time cerezo moreno marta google books critical approaches to shakespeare shakespeare for all time constitue la materia

**of english studies university of murcia researchgate** - Jun 19 2023

web centuries part i is subdivided into two chapters critical approaches to shakespeare from ben jonson 1572 73 1637 to



cleanth brooks 1906 1994 and critical approaches to shakespeare

[shakespeare william poetry plays sonnets britannica](#) - Nov 12 2022

web shakespeare criticism of the 20th and 21st centuries has seen an extraordinary flourishing of new schools of critical approach psychological and psychoanalytic critics such as ernest jones have explored questions of character in terms of oedipal complexes narcissism and psychotic behaviour or more simply in terms of the conflicting needs

*critical approaches to shakespeare shakespeare fo* - Oct 11 2022

web the works of william shakespeare henry v feb 05 2022 shakespeare and cognition jan 12 2020 shakespeare and cognition challenges orthodox approaches to shakespeare by using recent psychological findings about human decision making to analyse the unique characters that populate his plays

*critical approaches to shakespeare shakespeare fo pdf* - Mar 04 2022

web jul 23 2023 research on critical approaches to shakespeare by an international team of leading scholars it contains chapters on 20 specific critical practices each grounded in analysis of a shakespeare play

**critical approaches to shakespeare shakespeare fo sharrell** - May 06 2022

web whereby in the twentieth century shakespeare doesn t mean we mean by shakespeare meaning by shakespeare concludes with bardbiz a review of recent critical approaches to shakespeare which initiated a long running debate 1990 1991 when it first appeared in the london review of books romeo and juliet cedric watts 1991 still one of

**shakespeare and critical thinking washington state university** - Jul 08 2022

web good critical thinking of this type identifies the main problem and subsidiary embedded or implicit aspects of the problem and identifies them clearly addressing their relationships to each other it identifies not only the basics of the issue but recognizes nuances of the issue identifying and presenting the student s own as it is

**critical approaches to shakespeare shakespeare fo download** - Apr 05 2022

web 2 critical approaches to shakespeare shakespeare fo 2021 04 20 with its focus on gender power race sexuality and violence othello is an important site for new critical approaches to the study of shakespeare s works both criticism and culture are

**critical approaches to shakespeare shakespeare fo 2022** - Feb 03 2022

web merely said the critical approaches to shakespeare shakespeare fo is universally compatible with any devices to read critical approaches to shakespeare shakespeare fo downloaded from monograf no by guest heaven kingston shakespearean tragedy rowman littlefield pub incorporated this book combines traditional and

[critical approaches to shakespeare shakespeare fo book](#) - Jan 14 2023

web critical approaches to shakespeare 1623 2000 shakespeare for all time feb 19 2023 critical approaches to shakespeare

1623 2000 shakespeare for all time addresses the keys to understanding the significance of the critical reception of shakespeare from the seventeenth to the end of the twentieth century

**critical approaches to shakespeare shakespeare for all time** - Dec 13 2022

web shakespeare for all time grado tapa blanda 20 agosto 2017 critical approaches to shakespeare shakespeare for all time constituye la materia de la asignatura la recepción crítica del teatro de shakespeare del grado en estudios ingleses de la uned [critical approaches to shakespeare shakespeare for all time](#) - Feb 15 2023

web shakespeare a different critical approach english 366 critical approaches to shakespeare critical essays on shakespeare s othello anthony gerard teaching shakespeare in the secondary english classroom critical approaches to shakespeare ebook 2017 othello critical approaches the british library critical approaches to

**amazon com critical approaches to shakespeare shakespeare** - Apr 17 2023

web aug 20 2017 critical approaches to shakespeare shakespeare for all time constituye la materia de la asignatura la recepción crítica del teatro de shakespeare del grado en estudios ingleses de la uned

**critical approaches to shakespeare shakespeare for all time** - Sep 10 2022

web critical approaches to shakespeare shakespeare for all time cerezo moreno marta studocu *7 approaches to shakespeare that other teachers love* - Jun 07 2022

web 5 maximize student understanding with side by side editions when students first approach shakespeare they need to understand the plot before they dig into everything else one way to help make sure students get the most out of the plays is to use an edition that includes original text right next to an easier to understand modern translation

**how far can you go my 25 year quest to walk again** - Nov 05 2022

web yet he longed for one more victory to walk on the beach with his family holding his wife s hand through a radical therapy he retrained his mind and challenged conventional

**how far can you go my 25 year quest to walk again** - Jul 01 2022

web an inspirational memoir by a man who became an elite wheelchair athlete after suffering a catastrophic spinal injury and who finally walked again 25 years after his accident

[how far can you go my 25 year quest to walk again](#) - Apr 29 2022

web find helpful customer reviews and review ratings for how far can you go my 25 year quest to walk again at amazon com read honest and unbiased product reviews from

**how far can you go my 25 year quest to walk again audio** - Jul 21 2021

[how far can you go my 25 year quest to walk again](#) - Oct 04 2022

web find many great new used options and get the best deals for how far can you go my 25 year quest to walk again by john maclean 2016 hardcover at the best online

**how far can you go my 25 year quest to walk again** - Feb 08 2023

web my 25 year quest to walk again ebook written by john maclean read this book using google play books app on your pc android ios devices download for offline reading

**an armored train and a dangerous new alliance the new** - Oct 24 2021

web it wasn't until he discovered a radical therapy that john was able to reach his full potential by retraining his mind and body to unlock new neural responses and stand walk and

*how far can you go my 25 year quest to walk again* - Jul 13 2023

web mar 29 2016 yet he longed for one more victory to walk on the beach with his family holding his wife's hand through a radical therapy he retrained his mind and challenged

**how far can you go my 25 year quest to walk again** - Dec 06 2022

web oct 1 2020 if you look up mental toughness in the dictionary you'll find a picture of john maclean steve waugh as a br br walking on the beach and holding hands with a

*how far can you go my 25 year quest to walk again* - Aug 14 2023

web 114 ratings 21 reviews an inspirational memoir by a man who became an elite wheelchair athlete after suffering a catastrophic spinal injury and who finally walked again 25 years after his accident

**starfield tips to know before starting polygon** - Jan 27 2022

web sep 11 2023 the 10 week trial amps up efforts to rein in big tech by targeting the core search business that turned google into a 1.7 trillion behemoth a federal judge said

**what is the timed 25 foot walk clinicspeak.com** - Dec 26 2021

web sep 14 2023 the meeting between president vladimir v. putin of russia and north korea's leader kim jong un could have malign consequences for the world sept 14

*how far can you go my 25 year quest to walk again overdrive* - Mar 29 2022

web sep 5 2023 23 things you should know before starting starfield starfield is a whole lot of game there are ships to fly stuffed animals to smuggle outposts to build and oh yeah

**editions of how far can you go my 25 year quest to walk** - Apr 10 2023

web mar 29 2016 an inspirational memoir by a man who became an elite wheelchair athlete after suffering a catastrophic spinal injury and who finally walked again 25 years after

*u s v google the new york times* - Nov 24 2021

web sep 7 2023 but in 2004 when a promising h i v treatment emerged gilead sciences decided to slow walk its release to maximize profit on the company s existing patents

*amazon com customer reviews how far can you go my 25 - May 31 2022*

web oct 1 2020 it wasn t until he discovered a radical therapy that john was able to reach his full potential by retraining his mind and body to unlock new neural responses and

amazon com customer reviews how far can you go my 25 - Feb 25 2022

web measure out 25 feet and stand at one end walk as quickly but as safely as possible to the other end start the stopwatch as soon as the lead foot crosses the start line stop the

**how far can you go my 25 year quest to walk again by - Aug 02 2022**

web find helpful customer reviews and review ratings for how far can you go my 25 year quest to walk again at amazon com read honest and unbiased product reviews from

how far can you go my 25 year quest to walk again kindle edition - Aug 22 2021

web how far can you go my 25 year quest to walk again maclean sir john tabb mark amazon com au books

**how far can you go my 25 year quest to walk again - May 11 2023**

web editions for how far can you go my 25 year quest to walk again 0316262854 hardcover published in 2016 kindle edition published in 2016 kindle e

**how far can you go my 25 year quest to walk again - Jun 19 2021**

*amazon com how far can you go my 25 year quest to walk - Sep 03 2022*

web jan 1 2016 it wasn t until he discovered a radical therapy that john was able to reach his full potential by retraining his mind and body to unlock new neural responses and

**how far can you go my 25 year quest to walk again hardcover - Mar 09 2023**

web it wasn t until he discovered a radical therapy that john was able to reach his full potential by retraining his mind and body to unlock new neural responses and stand walk and

**how far can you go my 25 year quest to walk again - Jun 12 2023**

web mar 29 2016 an inspirational memoir by a man who became an elite wheelchair athlete after suffering a catastrophic spinal injury and who finally walked again 25 years after

how far can you go my 25 year quest to walk again - Jan 07 2023

web an inspirational memoir by a man who became an elite wheelchair athlete after suffering a catastrophic spinal injury and who finally walked again 25 years after his accident

**why one drug company held back a better drug the new** - Sep 22 2021

web how far can you go my 25 year quest to walk again audio download john maclean mark tabb mark englhardt simon schuster australia amazon com au books

**my urohs english edition kindle edition amazon de** - Jul 02 2022

web select the department you want to search in

**my urohs emelihter kihleng google books** - Jun 13 2023

web the first collection of poetry by a pohnpeian poet emelihter kihleng s my urohs is described by distinguished samoan writer and artist albert wendt as refreshingly innovative and compelling a new way of seeing ourselves in our islands an important and influential addition to our pacific literature

my urohs english edition versión kindle amazon es - Jun 01 2022

web lee ahora en digital con la aplicación gratuita kindle

*my urohs kihleng emelihter 9780979378836 amazon com* - Aug 15 2023

web apr 17 2008 the first collection of poetry by a pohnpeian poet emelihter kihleng s my urohs is described by distinguished samoan writer and artist albert wendt as refreshingly innovative and compelling a new way of seeing ourselves in our islands an important and influential addition to our pacific literature read more

*editions of my urohs by emelihter kihleng goodreads* - May 12 2023

web editions for my urohs 0979378834 paperback published in 2008 kindle edition published in 2013 paperback paperback paperback and 125718222

**loading interface goodreads** - Jan 28 2022

web discover and share books you love on goodreads

my urohs english edition 50storiesfortomorrow ilfu com - Apr 11 2023

web my urohs english edition the enigmatic realm of my urohs english edition unleashing the language is inner magic in a fast paced digital era where connections and knowledge intertwine the enigmatic realm of language reveals its inherent magic its capacity to stir emotions ignite contemplation and catalyze

**uros spanish to english translation spanishdictionary com** - Dec 27 2021

web search millions of spanish english example sentences from our dictionary tv shows and the internet regional translations say it like a local browse spanish translations from spain mexico or any other spanish speaking country word of the day exprimir show translation subscribe

*my urohs english edition kindle edition* □□□□ - Apr 30 2022

web dec 28 2013 amazon co jp my urohs english edition ebook kihleng emelihter kindle store

**my urohs de gruyter** - Feb 09 2023

web my urohs should you have institutional access here s how to get it usd en 0 subjects services publications about published by university of hawaii press 2019 my urohs from the book indigenous literatures from micronesia emelihter kihleng doi org 10 1515 9780824877385 095 cite this share this university of hawaii

*amazon my urohs english edition kindle edition by kihleng* - Dec 07 2022

web dec 28 2013 my urohs english edition kindle edition by kihleng emelihter download it once and read it on your kindle device pc phones or tablets use features like bookmarks note taking and highlighting while reading my urohs english edition [my urohs by emelihter kihleng the storygraph](#) - Sep 04 2022

web my urohs emelihter kihleng poetry challenging reflective slow paced 61 pages first published 2008 mark as owned buy browse editions bookshop us bookshop uk blackwell s libro fm audio the storygraph is an affiliate of the featured links we earn commission on any purchases made mark

**my urohs by emelihter kihleng alibris** - Mar 10 2023

web the first collection of poetry by a pohnpeian poet emelihter kihleng s my urohs is described by distinguished samoan writer and artist albert wendt as refreshingly innovative and compelling a new way of seeing ourselves in our islands an important and influential addition to our pacific literature all from 9 50 new from 9 50

**my urohs ebook kihleng emelihter amazon in kindle store** - Mar 30 2022

web select the department you want to search in

*my urohs english edition edición kindle amazon com mx* - Feb 26 2022

web my urohs english edition ebook kihleng emelihter amazon com mx tienda kindle

**my urohs english edition ebooks em inglês na amazon com br** - Oct 05 2022

web compre my urohs english edition de kihleng emelihter na amazon com br confira também os ebooks mais vendidos lançamentos e livros digitais exclusivos

**my urohs english edition formato kindle amazon it** - Nov 06 2022

web my urohs english edition ebook kihleng emelihter amazon it kindle store passa al contenuto principale it ciao scegli il tuo indirizzo kindle store seleziona la categoria in cui desideri effettuare la ricerca ricerca amazon it ciao accedi account e liste

**my urohs english edition kindle ausgabe amazon de** - Jan 08 2023

web the first collection of poetry by a pohnpeian poet emelihter kihleng s my urohs is described by distinguished samoan writer and artist albert wendt as refreshingly innovative and compelling a new way of seeing ourselves in our islands an important and influential addition to our pacific literature

**amazon com my urohs ebook kihleng emelihter books** - Jul 14 2023

web dec 28 2013 the first collection of poetry by a pohnpeian poet emelihter kihleng s my urohs is described by distinguished samoan writer and artist albert wendt as refreshingly innovative and compelling a new way of seeing ourselves in our islands an important and influential addition to our pacific literature print length 72 pages language english

**my urohs english edition ebook amazon fr** - Aug 03 2022

web achetez et téléchargez ebook my urohs english edition boutique kindle poetry amazon fr