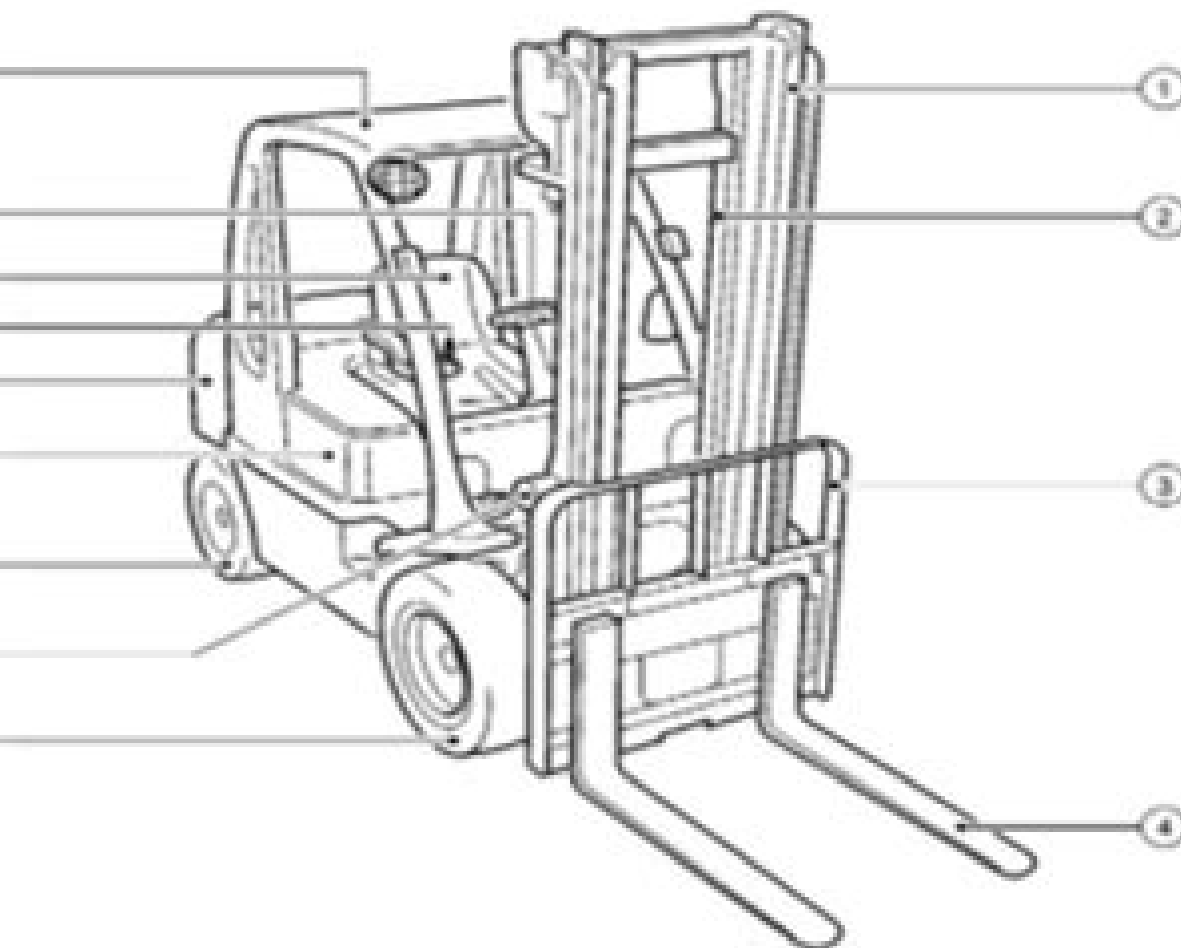


OF COMPONENTS



- ① Mast
- ② Lift cylinder
- ③ Backrest
- ④ Fork
- ⑤ Overhead guard
- ⑥ Steering wheel
- ⑦ Operator's seat
- ⑧ Joystick lever
- ⑨ Counterweight
- ⑩ Top panel
- ⑪ Rear tire
- ⑫ Tilt cylinder
- ⑬ Front tire

Nissan 50 Forklift Owners Manual

Jianjun Gao



Nissan 50 Forklift Owners Manual:

Immerse yourself in the artistry of words with Experience Art with its expressive creation, Discover the Artistry of **Nissan 50 Forklift Owners Manual** . This ebook, presented in a PDF format (*), is a masterpiece that goes beyond conventional storytelling. Indulge your senses in prose, poetry, and knowledge. Download now to let the beauty of literature and artistry envelop your mind in a unique and expressive way.

https://crm.avenza.com/files/Resources/fetch.php/Robot_Structural_Analysis_2015_Manual.pdf

Table of Contents Nissan 50 Forklift Owners Manual

1. Understanding the eBook Nissan 50 Forklift Owners Manual
 - The Rise of Digital Reading Nissan 50 Forklift Owners Manual
 - Advantages of eBooks Over Traditional Books
2. Identifying Nissan 50 Forklift Owners Manual
 - Exploring Different Genres
 - Considering Fiction vs. Non-Fiction
 - Determining Your Reading Goals
3. Choosing the Right eBook Platform
 - Popular eBook Platforms
 - Features to Look for in a Nissan 50 Forklift Owners Manual
 - User-Friendly Interface
4. Exploring eBook Recommendations from Nissan 50 Forklift Owners Manual
 - Personalized Recommendations
 - Nissan 50 Forklift Owners Manual User Reviews and Ratings
 - Nissan 50 Forklift Owners Manual and Bestseller Lists
5. Accessing Nissan 50 Forklift Owners Manual Free and Paid eBooks
 - Nissan 50 Forklift Owners Manual Public Domain eBooks
 - Nissan 50 Forklift Owners Manual eBook Subscription Services
 - Nissan 50 Forklift Owners Manual Budget-Friendly Options

6. Navigating Nissan 50 Forklift Owners Manual eBook Formats
 - ePub, PDF, MOBI, and More
 - Nissan 50 Forklift Owners Manual Compatibility with Devices
 - Nissan 50 Forklift Owners Manual Enhanced eBook Features
7. Enhancing Your Reading Experience
 - Adjustable Fonts and Text Sizes of Nissan 50 Forklift Owners Manual
 - Highlighting and Note-Taking Nissan 50 Forklift Owners Manual
 - Interactive Elements Nissan 50 Forklift Owners Manual
8. Staying Engaged with Nissan 50 Forklift Owners Manual
 - Joining Online Reading Communities
 - Participating in Virtual Book Clubs
 - Following Authors and Publishers Nissan 50 Forklift Owners Manual
9. Balancing eBooks and Physical Books Nissan 50 Forklift Owners Manual
 - Benefits of a Digital Library
 - Creating a Diverse Reading Collection Nissan 50 Forklift Owners Manual
10. Overcoming Reading Challenges
 - Dealing with Digital Eye Strain
 - Minimizing Distractions
 - Managing Screen Time
11. Cultivating a Reading Routine Nissan 50 Forklift Owners Manual
 - Setting Reading Goals Nissan 50 Forklift Owners Manual
 - Carving Out Dedicated Reading Time
12. Sourcing Reliable Information of Nissan 50 Forklift Owners Manual
 - Fact-Checking eBook Content of Nissan 50 Forklift Owners Manual
 - Distinguishing Credible Sources
13. Promoting Lifelong Learning
 - Utilizing eBooks for Skill Development
 - Exploring Educational eBooks
14. Embracing eBook Trends
 - Integration of Multimedia Elements

- Interactive and Gamified eBooks

Nissan 50 Forklift Owners Manual Introduction

In today's digital age, the availability of Nissan 50 Forklift Owners Manual books and manuals for download has revolutionized the way we access information. Gone are the days of physically flipping through pages and carrying heavy textbooks or manuals. With just a few clicks, we can now access a wealth of knowledge from the comfort of our own homes or on the go. This article will explore the advantages of Nissan 50 Forklift Owners Manual books and manuals for download, along with some popular platforms that offer these resources. One of the significant advantages of Nissan 50 Forklift Owners Manual books and manuals for download is the cost-saving aspect. Traditional books and manuals can be costly, especially if you need to purchase several of them for educational or professional purposes. By accessing Nissan 50 Forklift Owners Manual versions, you eliminate the need to spend money on physical copies. This not only saves you money but also reduces the environmental impact associated with book production and transportation. Furthermore, Nissan 50 Forklift Owners Manual books and manuals for download are incredibly convenient. With just a computer or smartphone and an internet connection, you can access a vast library of resources on any subject imaginable. Whether you're a student looking for textbooks, a professional seeking industry-specific manuals, or someone interested in self-improvement, these digital resources provide an efficient and accessible means of acquiring knowledge. Moreover, PDF books and manuals offer a range of benefits compared to other digital formats. PDF files are designed to retain their formatting regardless of the device used to open them. This ensures that the content appears exactly as intended by the author, with no loss of formatting or missing graphics. Additionally, PDF files can be easily annotated, bookmarked, and searched for specific terms, making them highly practical for studying or referencing. When it comes to accessing Nissan 50 Forklift Owners Manual books and manuals, several platforms offer an extensive collection of resources. One such platform is Project Gutenberg, a nonprofit organization that provides over 60,000 free eBooks. These books are primarily in the public domain, meaning they can be freely distributed and downloaded. Project Gutenberg offers a wide range of classic literature, making it an excellent resource for literature enthusiasts. Another popular platform for Nissan 50 Forklift Owners Manual books and manuals is Open Library. Open Library is an initiative of the Internet Archive, a non-profit organization dedicated to digitizing cultural artifacts and making them accessible to the public. Open Library hosts millions of books, including both public domain works and contemporary titles. It also allows users to borrow digital copies of certain books for a limited period, similar to a library lending system. Additionally, many universities and educational institutions have their own digital libraries that provide free access to PDF books and manuals. These libraries often offer academic texts, research papers, and technical manuals, making them invaluable resources for students and researchers. Some notable examples include MIT OpenCourseWare,

which offers free access to course materials from the Massachusetts Institute of Technology, and the Digital Public Library of America, which provides a vast collection of digitized books and historical documents. In conclusion, Nissan 50 Forklift Owners Manual books and manuals for download have transformed the way we access information. They provide a cost-effective and convenient means of acquiring knowledge, offering the ability to access a vast library of resources at our fingertips. With platforms like Project Gutenberg, Open Library, and various digital libraries offered by educational institutions, we have access to an ever-expanding collection of books and manuals. Whether for educational, professional, or personal purposes, these digital resources serve as valuable tools for continuous learning and self-improvement. So why not take advantage of the vast world of Nissan 50 Forklift Owners Manual books and manuals for download and embark on your journey of knowledge?

FAQs About Nissan 50 Forklift Owners Manual Books

How do I know which eBook platform is the best for me? Finding the best eBook platform depends on your reading preferences and device compatibility. Research different platforms, read user reviews, and explore their features before making a choice. Are free eBooks of good quality? Yes, many reputable platforms offer high-quality free eBooks, including classics and public domain works. However, make sure to verify the source to ensure the eBook credibility. Can I read eBooks without an eReader? Absolutely! Most eBook platforms offer webbased readers or mobile apps that allow you to read eBooks on your computer, tablet, or smartphone. How do I avoid digital eye strain while reading eBooks? To prevent digital eye strain, take regular breaks, adjust the font size and background color, and ensure proper lighting while reading eBooks. What the advantage of interactive eBooks? Interactive eBooks incorporate multimedia elements, quizzes, and activities, enhancing the reader engagement and providing a more immersive learning experience. Nissan 50 Forklift Owners Manual is one of the best book in our library for free trial. We provide copy of Nissan 50 Forklift Owners Manual in digital format, so the resources that you find are reliable. There are also many Ebooks of related with Nissan 50 Forklift Owners Manual. Where to download Nissan 50 Forklift Owners Manual online for free? Are you looking for Nissan 50 Forklift Owners Manual PDF? This is definitely going to save you time and cash in something you should think about. If you trying to find then search around for online. Without a doubt there are numerous these available and many of them have the freedom. However without doubt you receive whatever you purchase. An alternate way to get ideas is always to check another Nissan 50 Forklift Owners Manual. This method for see exactly what may be included and adopt these ideas to your book. This site will almost certainly help you save time and effort, money and stress. If you are looking for free books then you really should consider finding to assist you try this. Several of Nissan 50 Forklift Owners Manual are for sale to free while some are payable. If you

arent sure if the books you would like to download works with for usage along with your computer, it is possible to download free trials. The free guides make it easy for someone to free access online library for download books to your device. You can get free download on free trial for lots of books categories. Our library is the biggest of these that have literally hundreds of thousands of different products categories represented. You will also see that there are specific sites catered to different product types or categories, brands or niches related with Nissan 50 Forklift Owners Manual. So depending on what exactly you are searching, you will be able to choose e books to suit your own need. Need to access completely for Campbell Biology Seventh Edition book? Access Ebook without any digging. And by having access to our ebook online or by storing it on your computer, you have convenient answers with Nissan 50 Forklift Owners Manual To get started finding Nissan 50 Forklift Owners Manual, you are right to find our website which has a comprehensive collection of books online. Our library is the biggest of these that have literally hundreds of thousands of different products represented. You will also see that there are specific sites catered to different categories or niches related with Nissan 50 Forklift Owners Manual So depending on what exactly you are searching, you will be able to choose ebook to suit your own need. Thank you for reading Nissan 50 Forklift Owners Manual. Maybe you have knowledge that, people have search numerous times for their favorite readings like this Nissan 50 Forklift Owners Manual, but end up in harmful downloads. Rather than reading a good book with a cup of coffee in the afternoon, instead they juggled with some harmful bugs inside their laptop. Nissan 50 Forklift Owners Manual is available in our book collection an online access to it is set as public so you can download it instantly. Our digital library spans in multiple locations, allowing you to get the most less latency time to download any of our books like this one. Merely said, Nissan 50 Forklift Owners Manual is universally compatible with any devices to read.

Find Nissan 50 Forklift Owners Manual :

[robot structural analysis 2015 manual](#)

[robertshaw thermostat manual 9500](#)

[rocketfish sh230 headsets owners manual](#)

rodeo ra7 workshop manual

rolls royce car owners

~~romance of the three kingdoms 8 guide~~

robocut user guide

robin miller haliut putanesca recipe

roberto clemente lesson 5 study guide

rolls royce automobile deutschland

[roland barthes book list](#)

[rockwell drill press owners manual](#)

[roid 4 2 guides](#)

rocking horse winner holt question answers

[rocketfish rf rbaux user guide](#)

Nissan 50 Forklift Owners Manual :

trouver sa position d accouchement bernadette de gasquet - Apr 30 2022

web trouver sa position d accouchement gasquet bernadette de amazon com be livres

position d accouchement respecter le choix des patientes - Oct 25 2021

trouver sa position d accouchement poche 23 juin 2010 - Jan 28 2022

web jan 1 2023 plusieurs attendaient d elle des conseils et de la réassurance sur la gestion de la douleur des contractions

11 le dialogue est donc l un des fondements d un

position accouchement laquelle choisir - Apr 11 2023

web jan 14 2009 c est aussi une posture indiquée en cas de césarienne de forceps ou d accouchement difficile mais cette

position a finalement des inconvénients pour les

position d accouchement respecter le choix des patientes - Sep 23 2021

[comment trouver la position d accouchement idéale en 4 étapes](#) - Mar 30 2022

web on évoque avec vous les différentes positions que l on peut adopter à l accouchement on en a déjà parlé dans l émission

on n est pas obligée d être systématiquement en

[les 20 positions d accouchement à connaître selon les experts et](#) - Mar 10 2023

web jul 19 2023 sommaire quelle position pour accoucher plus vite debout pour faciliter la descente du bébé grâce à la

gravité la position debout aide le bébé à descendre et à

choisir sa position d accouchement allodocteurs - Feb 09 2023

web apr 28 2009 trouver sa position d accouchement 49 20 usually ships within 9 to 10 days ce guide est un formidable

outil pour préparer votre corps et connaître les

trouver sa position d accouchement poche fnac - Jul 14 2023

web il permet aux femmes de rechercher et de trouver des positions antalgiques qui permettent la détente la respiration libre

la mobilité du bassin et la meilleure adaptation

toutes les meilleures positions pour accoucher parents fr - Jan 08 2023

web il permet aux femmes de rechercher et de trouver des positions antalgiques qui permettent la détente la respiration libre

la mobilité du bassin et la meilleure adaptation

la méthode de gasquet pour trouver sa position - Jun 13 2023

web il permet aux femmes de rechercher et de trouver des positions antalgiques qui permettent la détente la respiration libre

la mobilité du bassin et la meilleure adaptation

quelles sont les différentes positions pour accoucher medisite - Jul 02 2022

web comment travailler avec aurélie immerge toi dans les programmes en ligne bundle upload s offrir sa vie aureliesurmely

kneo me shop view 46564

trouver sa position d accouchement amazon fr - Aug 15 2023

web un guide qui permet de rendre les parents plus actifs et de bien coopérer avec l équipe médicale pour le bien être et la

sécurité de la mère et de l enfant avec à la clé un accouchement moins long plus facile et moins traumatique pour le bébé et

la maman

trouver sa position d accouchement mass market paperback - Nov 25 2021

trouver sa position d accouchement santé forme sexualité - Aug 03 2022

web jun 23 2010 il permet aux femmes de rechercher et de trouver des positions antalgiques qui permettent la détente la

respiration libre la mobilité du bassin et la

trouver sa position pour accoucher la maison des maternelles - Dec 27 2021

web jan 1 2023 en effet selon le lieu la mobilité pendant le travail et l accouchement est plus ou moins encouragée

accessoires de type ballons suspensions etc disponibles ou

trouver sa position d accouchement mass market - Oct 05 2022

web jun 19 2022 accouchement 4 positions pour accoucher 1 la position classique est celle que l on appelle gynécologique

trouver sa position d accouchement poche fnac suisse - May 12 2023

web sep 28 2022 la position du haut du corps ne permet généralement pas un étirement et une respiration optimales on

croit souvent que si on est sous péridurale on est obligée

accouchement la liste des différentes positions santé magazine - Jun 01 2022

web feb 11 2021 positions d accouchement publié par bernard bel le 11 février 2021 11 février 2021 san té publique et

respon s abil ité pop u la tion nelle ciuss de la mauricie

en images les positions d accouchement lmdm - Dec 07 2022

web l écharpe installée sur les épaules du porteur permet à la mère de s accrocher facilement si la femme est couchée sur le dos elle peut utiliser un ballon plat disponible dans

[trouver sa position d accouchement amazon ca](#) - Nov 06 2022

web il permet aux femmes de rechercher et de trouver des positions antalgiques qui permettent la détente la respiration libre la mobilité du bassin et la meilleure adaptation

positions d accouchement alliance francophone pour - Feb 26 2022

web select the department you want to search in

accouchement des positions qui soulagent naître et grandir - Sep 04 2022

web aug 27 2021 ne vous en faites pas vous verrez en détail chaque posture pendant les cours de préparation à l

accouchement que vous avez choisis et dispensés par une

cinii [friedrich kiesler lebenswelten life visions](#) - May 31 2022

web friedrich kiesler lebenswelten life visions architektur kunst design architecture art design herausgegeben von edited by christoph thun hohenstein et al birkhäuser

friedrich kiesler lebenswelten life visions architektur kunst - Jan 07 2023

web jun 7 2023 friedrich kiesler lebenswelten architektur kunst design life visions architecture art design by frederick

kiesler book die kulisse explodiert friedrich kieslers

friedrich kiesler lebenswelten youtube - Dec 26 2021

web feb 10 2016 mi 15 06 2016 so 02 10 2016 lebenswelten friedrich kieslers 1890 1965 vielfältiges künstlerisches oeuvre inspiriert bis heute architektinnen

[friedrich kiesler lebenswelten life visions architektur kunst](#) - Jun 12 2023

web jun 20 2016 friedrich kiesler lebenswelten life visions architektur kunst design architecture art design german edition german and english edition thun

[review friedrich kiesler lebenswelten life visions](#) - May 11 2023

web jun 1 2017 request pdf on jun 1 2017 monika platzler published review friedrich kiesler lebenswelten life visions find read and cite all the research you need on

review friedrich kiesler lebenswelten life visions - Aug 14 2023

web jun 1 2017 this exhibition focusing on the austrian american friedrich frederick kiesler 1890 1965 was the latest in a series at the mak devoted to protagonists of the

[archiweb friederich kiesler lebenswelten life visions](#) - Apr 10 2023

web friedrich kiesler life visions introduces a visionary of the viennese moderne movement the artist designer architect stage designer and exhibition designer

friedrich kiesler lebenswelten life visions archi pdf 2023 - Feb 08 2023

web mar 28 2023 friedrich kiesler lebenswelten life visions archi pdf is available in our digital library an online access to it is set as public so you can download it instantly our

friedrich kiesler lebenswelten life visions archi alexander klee - Jan 27 2022

web 4730014 friedrich kiesler lebenswelten life visions archi 1 5 downloaded from ctwelland clearfit com on by guest

friedrich kiesler lebenswelten life visions archi

friedrich kiesler lebenswelten dieter borner google books - Oct 04 2022

web friedrich kiesler life visions introduces a visionary of the viennese moderne movement the artist designer architect stage designer and exhibition designer

[friedrich kiesler lebenswelten life visions archi jmsseniorliving](#) - Jul 01 2022

web 1920s kiesler applied these radical dadaist constructivist and surrealist practices to his urban display projects which included shop windows for saks fifth avenue

friedrich kiesler lebenswelten life visions archi pdf 2023 - Mar 09 2023

web introduction friedrich kiesler lebenswelten life visions archi pdf 2023 architecture since 1400 kathleen james chakraborty 2014 lavishly illustrated

[friedrich kiesler lebenswelten life visions archi jmsseniorliving](#) - Oct 24 2021

web 2 friedrich kiesler lebenswelten life visions archi 2023 02 04 friedrich kiesler lebenswelten life visions archi downloaded from jmsseniorliving com by guest

friedrich kiesler lebenswelten life visions archi uniport edu - Sep 03 2022

web jul 20 2023 friedrich kiesler lebenswelten life visions archi 2 9 downloaded from uniport edu ng on july 20 2023 by guest cyberemotions janusz a holyst 2016 10 25

friedrich kiesler lebenswelten life visions archi - Dec 06 2022

web life approximately the world we give you this proper as with ease as simple pretension to acquire those all we provide friedrich kiesler lebenswelten life visions archi and

friedrich kiesler lebenswelten vienna design week - Mar 29 2022

web friedrich kieslers 1890 1965 vielfältiges künstlerisches oeuvre inspiriert bis heute architektur theater design kunst und filmschaffende die mak ausstellung

friedrich kiesler lebenswelten life visions archi pdf uniport edu - Nov 24 2021

web mar 31 2023 [friedrich kiesler lebenswelten life visions archi 1 9](#) downloaded from uniport.edu.ng on march 31 2023 by guest [friedrich kiesler lebenswelten life](#)

[friedrich kiesler lebenswelten life visions archi download only](#) - Nov 05 2022

web [friedrich kiesler lebenswelten life visions archi food for thought jul 19 2020](#) in recent decades many russian speaking jewish immigrants from the former soviet

[friedrich kiesler lebenswelten life visions architektur](#) - Jul 13 2023

web [friedrich kiesler lebenswelten life visions architektur kunst design architecture art design with contributions by spyridon papapetros christoph thun](#)

[friedrich kiesler lebenswelten life visions ex libris](#) - Feb 25 2022

web [friedrich kiesler lebenswelten life visions von aus architektur portofreie lieferung jetzt bei ex libris zum tiefpreis kaufen](#)

[frederick kiesler life visions mak](#) - Aug 02 2022

web jun 14 2016 [frederick kiesler life visions page 2](#) and real life kiesler innovatively grappled with the newest developments in film and television just as much

[friedrich kiesler lebenswelten detail](#) - Apr 29 2022

web aug 17 2016 [friedrich kiesler war ein vordenker noch heute sorgt er in der kunstszene für großes interesse sein lebenswerk zeigt nun das Österreichische](#)

healing at the speed of sound how what we hear - Jun 12 2023

web oct 30 2012 [healing at the speed of sound how what we hear transforms our brains and our lives don campbell alex doman penguin oct 30 2012 health fitness](#)

[healing at the speed of sound how what we hear transforms](#) - Dec 06 2022

web [healing at the speed of sound how what we hear transforms our brains and our lives campbell don doman alex 9780452298552 amazon.com.au books books](#)

[healing at the speed of sound how what we hear transforms](#) - Jul 01 2022

web [campbell don g 1946 2012 healing at the speed of sound how what we hear transforms our brains and our lives grand haven mi brilliance audio 2011](#)

[healing at the speed of sound how what we hear](#) - Apr 10 2023

web oct 29 2020 [download healing at the speed of sound how what we hear transforms our brains and our lives by don campbell in pdf epub format complete free brief](#)

[healing at the speed of sound how what we hear transforms our](#) - Jan 07 2023

web [healing at the speed of sound how what we hear transforms our brains and our lives from music to silence and](#)

everything in between amazon co uk campbell don

healing at the speed of sound how what we hear transforms - Feb 25 2022

web 0 00 2 38 author introduction healing at the speed of sound advanced brain 1 21k subscribers subscribe 4 7k views 11 years ago this is an introduction to healing at the

author introduction healing at the speed of sound youtube - Dec 26 2021

healing at the speed of sound how what we hear transforms - Oct 04 2022

web healing at the speed of sound how what we hear transforms our brains and our lives campbell don doman alex 9780452298552 books amazon ca

pdf epub healing at the speed of sound how what we - Feb 08 2023

web healing at the speed of sound how what we hear transforms our brains and our lives campbell don doman alex amazon in books

healing at the speed of sound how what we hear transforms - Aug 02 2022

web sep 29 2011 at this very moment you are surrounded by sound pause for a minute and try to listen to it all the chatter of a passing conversation the gentle whoosh of air vents

healing at the speed of sound how what we hear transforms - Aug 14 2023

web sep 29 2011 based on over a decade of new research don campbell bestselling author of the mozart effect and alex doman an expert in the practical application of sound and listening show how we can use

healing at the speed of sound how what we hear - Jul 13 2023

web buy healing at the speed of sound how what we hear transforms our brains and our lives by campbell don doman alex isbn 9781594630828 from amazon s book

healing at the speed of sound how what we hear transforms - Mar 29 2022

web 9 athelstane ford reading speed test reading personality test 1 of 5 stars 2 of 5 stars 3 of 5 stars 4 of 5 stars 5 of 5 stars beautiful rose by vikki jay 1 6 week 1 references

healing at the speed of sound how what we hear transforms - Nov 05 2022

web healing at the speed of sound how what we hear transforms our brains and our lives audible audiobook unabridged don campbell author jim bond narrator 2 more

healing at the speed of sound how what we hear - Mar 09 2023

web 263 pages 21 cm we rarely pay attention to everything we hear but every noise in our environment has the ability to affect our mood productivity and even our health

healing at the speed of sound how what we hear transforms - Sep 03 2022

web listen to healing at the speed of sound how what we hear transforms our brains and our lives volume 1 calm and relaxing on spotify don campbell alex doman song

healing at the speed of sound how what we hear - May 11 2023

web sep 29 2011 healing at the speed of sound is a scientific look at how music and noise and silence effect our emotions our health and even our ability to learn they talked

healing at the speed of sound how what we hear - Nov 24 2021

healing at the speed of sound how what we hear transforms - Jan 27 2022

healing at the speed of sound how what we hear transforms - May 31 2022

web buy healing at the speed of sound how what we hear transforms our brains and our lives by don campbell alex doman online at alibris we have new and used copies

citation healing at the speed of sound how what we hear - Apr 29 2022

web listen to healing at the speed of sound how what we hear transforms our brains and our lives volume 2 focus and vitality on spotify don campbell single 2011 1 songs