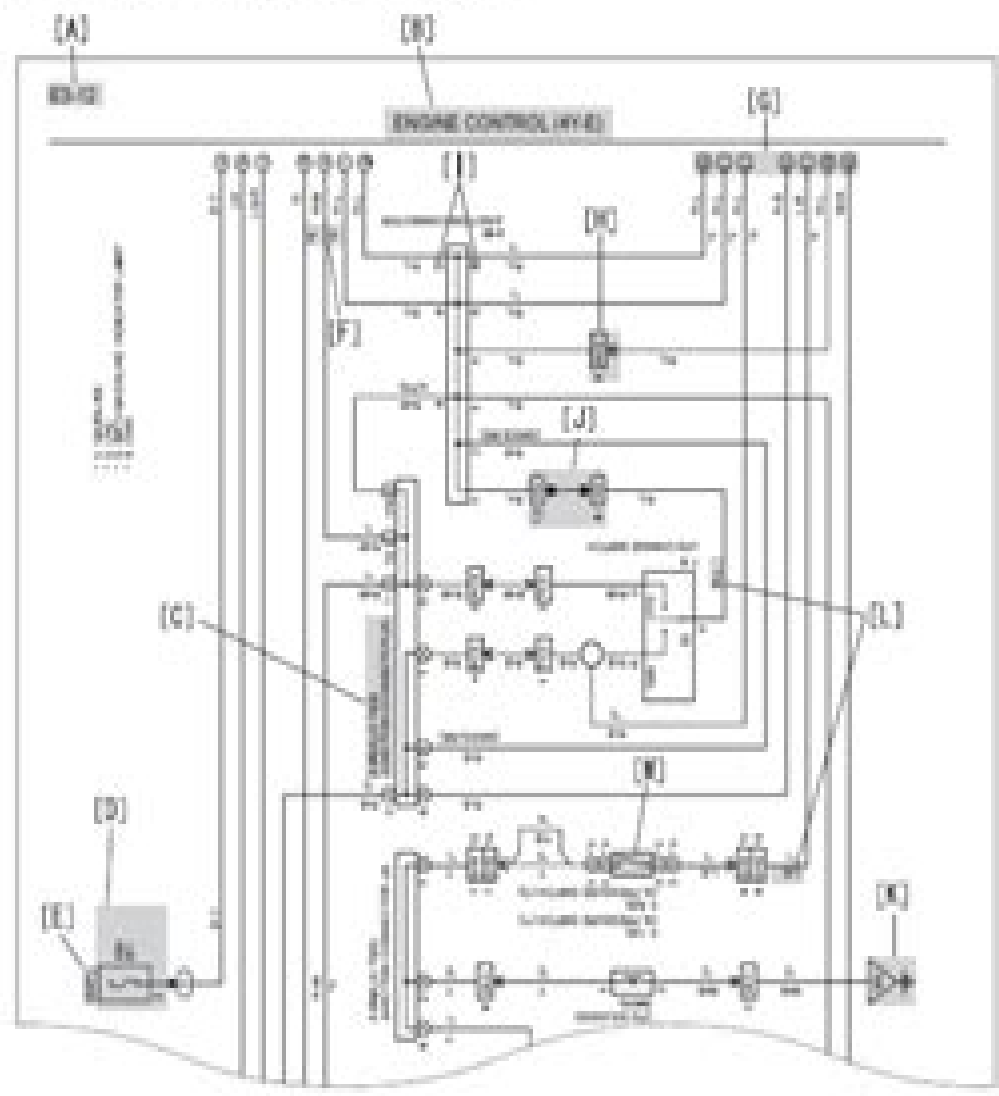


Chapter 3 SYSTEM CIRCUITS (1)
SYSTEM CIRCUITS

A system circuit consists of a power source circuit diagram and respective system circuit diagrams. A power source circuit diagram shows the connections from the power source to fuses. A system diagram shows the connections from fuses to ground points of each system.



Nissan 25 Forklift Wiring Manual

S Baum



Nissan 25 Forklift Wiring Manual:

Unveiling the Power of Verbal Art: An Mental Sojourn through **Nissan 25 Forklift Wiring Manual**

In a global inundated with screens and the cacophony of immediate transmission, the profound power and mental resonance of verbal artistry often disappear in to obscurity, eclipsed by the constant onslaught of noise and distractions. However, situated within the lyrical pages of **Nissan 25 Forklift Wiring Manual**, a charming function of fictional brilliance that pulses with fresh feelings, lies an memorable journey waiting to be embarked upon. Penned with a virtuoso wordsmith, this enchanting opus guides visitors on an emotional odyssey, delicately exposing the latent possible and profound affect stuck within the complex web of language. Within the heart-wrenching expanse with this evocative examination, we shall embark upon an introspective exploration of the book is central themes, dissect its interesting publishing model, and immerse ourselves in the indelible impression it leaves upon the depths of readers souls.

https://crm.avenza.com/public/virtual-library/Download_PDFS/origine%20du%20nom%20de%20famille%20claudepierre%20oeuvres%20courtes.pdf

Table of Contents Nissan 25 Forklift Wiring Manual

1. Understanding the eBook Nissan 25 Forklift Wiring Manual
 - The Rise of Digital Reading Nissan 25 Forklift Wiring Manual
 - Advantages of eBooks Over Traditional Books
2. Identifying Nissan 25 Forklift Wiring Manual
 - Exploring Different Genres
 - Considering Fiction vs. Non-Fiction
 - Determining Your Reading Goals
3. Choosing the Right eBook Platform
 - Popular eBook Platforms
 - Features to Look for in an Nissan 25 Forklift Wiring Manual
 - User-Friendly Interface
4. Exploring eBook Recommendations from Nissan 25 Forklift Wiring Manual

- Personalized Recommendations
 - Nissan 25 Forklift Wiring Manual User Reviews and Ratings
 - Nissan 25 Forklift Wiring Manual and Bestseller Lists
5. Accessing Nissan 25 Forklift Wiring Manual Free and Paid eBooks
 - Nissan 25 Forklift Wiring Manual Public Domain eBooks
 - Nissan 25 Forklift Wiring Manual eBook Subscription Services
 - Nissan 25 Forklift Wiring Manual Budget-Friendly Options
 6. Navigating Nissan 25 Forklift Wiring Manual eBook Formats
 - ePub, PDF, MOBI, and More
 - Nissan 25 Forklift Wiring Manual Compatibility with Devices
 - Nissan 25 Forklift Wiring Manual Enhanced eBook Features
 7. Enhancing Your Reading Experience
 - Adjustable Fonts and Text Sizes of Nissan 25 Forklift Wiring Manual
 - Highlighting and Note-Taking Nissan 25 Forklift Wiring Manual
 - Interactive Elements Nissan 25 Forklift Wiring Manual
 8. Staying Engaged with Nissan 25 Forklift Wiring Manual
 - Joining Online Reading Communities
 - Participating in Virtual Book Clubs
 - Following Authors and Publishers Nissan 25 Forklift Wiring Manual
 9. Balancing eBooks and Physical Books Nissan 25 Forklift Wiring Manual
 - Benefits of a Digital Library
 - Creating a Diverse Reading Collection Nissan 25 Forklift Wiring Manual
 10. Overcoming Reading Challenges
 - Dealing with Digital Eye Strain
 - Minimizing Distractions
 - Managing Screen Time
 11. Cultivating a Reading Routine Nissan 25 Forklift Wiring Manual
 - Setting Reading Goals Nissan 25 Forklift Wiring Manual
 - Carving Out Dedicated Reading Time
 12. Sourcing Reliable Information of Nissan 25 Forklift Wiring Manual

-
- Fact-Checking eBook Content of Nissan 25 Forklift Wiring Manual
 - Distinguishing Credible Sources
13. Promoting Lifelong Learning
- Utilizing eBooks for Skill Development
 - Exploring Educational eBooks
14. Embracing eBook Trends
- Integration of Multimedia Elements
 - Interactive and Gamified eBooks

Nissan 25 Forklift Wiring Manual Introduction

Free PDF Books and Manuals for Download: Unlocking Knowledge at Your Fingertips In today's fast-paced digital age, obtaining valuable knowledge has become easier than ever. Thanks to the internet, a vast array of books and manuals are now available for free download in PDF format. Whether you are a student, professional, or simply an avid reader, this treasure trove of downloadable resources offers a wealth of information, conveniently accessible anytime, anywhere. The advent of online libraries and platforms dedicated to sharing knowledge has revolutionized the way we consume information. No longer confined to physical libraries or bookstores, readers can now access an extensive collection of digital books and manuals with just a few clicks. These resources, available in PDF, Microsoft Word, and PowerPoint formats, cater to a wide range of interests, including literature, technology, science, history, and much more. One notable platform where you can explore and download free Nissan 25 Forklift Wiring Manual PDF books and manuals is the internet's largest free library. Hosted online, this catalog compiles a vast assortment of documents, making it a veritable goldmine of knowledge. With its easy-to-use website interface and customizable PDF generator, this platform offers a user-friendly experience, allowing individuals to effortlessly navigate and access the information they seek. The availability of free PDF books and manuals on this platform demonstrates its commitment to democratizing education and empowering individuals with the tools needed to succeed in their chosen fields. It allows anyone, regardless of their background or financial limitations, to expand their horizons and gain insights from experts in various disciplines. One of the most significant advantages of downloading PDF books and manuals lies in their portability. Unlike physical copies, digital books can be stored and carried on a single device, such as a tablet or smartphone, saving valuable space and weight. This convenience makes it possible for readers to have their entire library at their fingertips, whether they are commuting, traveling, or simply enjoying a lazy afternoon at home. Additionally, digital files are easily searchable, enabling readers to locate specific information within seconds. With a few keystrokes, users can search for keywords, topics, or phrases, making research and finding relevant information a breeze.

This efficiency saves time and effort, streamlining the learning process and allowing individuals to focus on extracting the information they need. Furthermore, the availability of free PDF books and manuals fosters a culture of continuous learning. By removing financial barriers, more people can access educational resources and pursue lifelong learning, contributing to personal growth and professional development. This democratization of knowledge promotes intellectual curiosity and empowers individuals to become lifelong learners, promoting progress and innovation in various fields. It is worth noting that while accessing free Nissan 25 Forklift Wiring Manual PDF books and manuals is convenient and cost-effective, it is vital to respect copyright laws and intellectual property rights. Platforms offering free downloads often operate within legal boundaries, ensuring that the materials they provide are either in the public domain or authorized for distribution. By adhering to copyright laws, users can enjoy the benefits of free access to knowledge while supporting the authors and publishers who make these resources available. In conclusion, the availability of Nissan 25 Forklift Wiring Manual free PDF books and manuals for download has revolutionized the way we access and consume knowledge. With just a few clicks, individuals can explore a vast collection of resources across different disciplines, all free of charge. This accessibility empowers individuals to become lifelong learners, contributing to personal growth, professional development, and the advancement of society as a whole. So why not unlock a world of knowledge today? Start exploring the vast sea of free PDF books and manuals waiting to be discovered right at your fingertips.

FAQs About Nissan 25 Forklift Wiring Manual Books

What is a Nissan 25 Forklift Wiring Manual PDF? A PDF (Portable Document Format) is a file format developed by Adobe that preserves the layout and formatting of a document, regardless of the software, hardware, or operating system used to view or print it. **How do I create a Nissan 25 Forklift Wiring Manual PDF?** There are several ways to create a PDF: Use software like Adobe Acrobat, Microsoft Word, or Google Docs, which often have built-in PDF creation tools. Print to PDF: Many applications and operating systems have a "Print to PDF" option that allows you to save a document as a PDF file instead of printing it on paper. Online converters: There are various online tools that can convert different file types to PDF. **How do I edit a Nissan 25 Forklift Wiring Manual PDF?** Editing a PDF can be done with software like Adobe Acrobat, which allows direct editing of text, images, and other elements within the PDF. Some free tools, like PDFescape or Smallpdf, also offer basic editing capabilities. **How do I convert a Nissan 25 Forklift Wiring Manual PDF to another file format?** There are multiple ways to convert a PDF to another format: Use online converters like Smallpdf, Zamzar, or Adobe Acrobats export feature to convert PDFs to formats like Word, Excel, JPEG, etc. Software like Adobe Acrobat, Microsoft Word, or other PDF editors may have options to export or save PDFs in different formats. **How do I password-protect a Nissan 25**

Forklift Wiring Manual PDF? Most PDF editing software allows you to add password protection. In Adobe Acrobat, for instance, you can go to "File" -> "Properties" -> "Security" to set a password to restrict access or editing capabilities. Are there any free alternatives to Adobe Acrobat for working with PDFs? Yes, there are many free alternatives for working with PDFs, such as: LibreOffice: Offers PDF editing features. PDFsam: Allows splitting, merging, and editing PDFs. Foxit Reader: Provides basic PDF viewing and editing capabilities. How do I compress a PDF file? You can use online tools like Smallpdf, ILovePDF, or desktop software like Adobe Acrobat to compress PDF files without significant quality loss. Compression reduces the file size, making it easier to share and download. Can I fill out forms in a PDF file? Yes, most PDF viewers/editors like Adobe Acrobat, Preview (on Mac), or various online tools allow you to fill out forms in PDF files by selecting text fields and entering information. Are there any restrictions when working with PDFs? Some PDFs might have restrictions set by their creator, such as password protection, editing restrictions, or print restrictions. Breaking these restrictions might require specific software or tools, which may or may not be legal depending on the circumstances and local laws.

Find Nissan 25 Forklift Wiring Manual :

origine du nom de famille claudepierre oeuvres courtes

origine du nom de famille branca oeuvres courtes

origine du nom de famille beylot oeuvres courtes

origine du nom de famille huchet oeuvres courtes

origine du nom de famille lamouroux oeuvres courtes

origine du nom de famille flammarion oeuvres courtes

origine du nom de famille allanic oeuvres courtes

~~*origine du nom de famille jamin oeuvres courtes*~~

origine du nom de famille colinet oeuvres courtes

~~*origine du nom de famille latil oeuvres courtes*~~

origine du nom de famille ferreres oeuvres courtes

origine du nom de famille joly oeuvres courtes

origine du nom de famille fonvieille oeuvres courtes

origine du nom de famille boiscard oeuvres courtes

origine du nom de famille epailly oeuvres courtes

Nissan 25 Forklift Wiring Manual :

is japanese hard to learn your easy guide to japanese - Jun 24 2022

web jan 25 2019 00 00 1 why japanese can be easy a japanese can be easy because of you alright what the heck does that mean it means that if you love something about japan or the japanese language you re already

is japanese hard to learn an honest analysis for beginners - Aug 07 2023

web is japanese hard to learn in this article i m going to answer that question you ll discover that while japanese does come with a set of challenges like any new language it s actually easier to learn japanese than you might realise pro tip

how hard is it to learn japanese japan dev - Aug 27 2022

web japan dev contributor learning japanese if you plan to visit japan or simply love the culture learning japanese can be useful imagine needing no subtitles in your anime or talking to locals imagine understanding the signs on the streets and working in japan in this article is japanese hard to learn

how difficult is learning japanese really work in japan for - May 24 2022

web even experts agree that spoken japanese is not particularly difficult to learn the sounds of the language are limited only five vowels and thirteen consonants and grammatically it is quite regular without case declensions or other complex issues that are found in languages like russian or even german

how difficult is japanese to learn learn japanese pod - Sep 27 2022

web jan 17 2015 6 日本語 sumimasen i m sorry apologizing is one of the most important skills you can learn in japanese read more about how to apologizing in japanese here speaking really fluently and sounding like a native is hard but that is true for any language so basic conversation i think isn t too difficult

is japanese hard to learn 12 things you should know my japanese - Apr 22 2022

web learning japanese is certainly not easy but with determination commitment and study of resources such as online lessons or classes from native speakers it can be done easily table of contents why is japanese hard to learn for some people 1

japanese writing systems 2 grammar structure 3 kanji 4 particles 5 honorifics 6 cultural nuances

is japanese hard to learn a complete assessment - Oct 29 2022

web jan 23 2023 is japanese hard to learn ranking the level of difficulty 0 comments last updated on jan 23 2023 posted by joseph you might ask yourself is japanese hard to learn and wonder whether or not the burden of learning a language is really worth the journey and we get that

how hard is it to learn japanese anyway team japanese - Nov 29 2022

web nov 5 2021 kanji is probably the main thing that makes japanese hard to learn for english speakers with no prior knowledge of the characters but you can master hiragana and katakana in a matter of weeks and then you ll have the basic

literacy to read children's books in Japanese and other simple texts

is Japanese hard to learn why Japanese is easier than you - Dec 31 2022

web they get in the way of learning the language they are completely bogus to succeed in your Japanese mission you must ignore the cynics defeatists killjoys naysayers party poopers pessimists sourpusses and wet blankets Japanese is not nearly as challenging as the debby downers would have you believe and is in fact easier in many key

Japanese Japanese is not that hard how to learn the Japanese - May 04 2023

web Jun 17 2017 Japanese is not that hard begins by explaining why many language learners fail and then offers a clear solution to the problem this book contains specific Japanese language learning methods and exercises that show you how to learn Japanese easily from any source at all

is Japanese hard to learn no and here's why tofugu - Mar 02 2023

web Feb 22 2012 not because it's a hard language to learn necessarily but because there are a bunch of mental barriers and misconceptions Japanese has a reputation for being hard to learn I can kind of understand why Japanese can be scary to people

is Japanese hard to learn japanesepod101.com blog - Feb 01 2023

web Dec 18 2020 in this article you've learned the answer to is Japanese hard to learn learning Japanese is not as difficult as you may think especially if your goals are focused on verbal communication if you would like to explore the Japanese language further stay with japanesepod101.com for the fastest and easiest way to fluency with a variety

is Japanese hard to learn here's why we say no busuu - Jul 06 2023

web Jul 21 2022 6 reasons Japanese isn't as hard to learn as you think and here's what I've found makes Japanese not that hard to learn after all hiragana and katakana are easy to learn okay yes to learn Japanese you have to learn new writing systems

is Japanese hard to learn hint it's actually easier than - Jun 05 2023

web Oct 9 2023 but any language can be hard to learn and I can tell you from personal experience that Japanese isn't as hard as you might think in this post we'll take an in-depth look at what makes Japanese easy to learn contents 1 consistent pronunciation 2 no tones 3 similar parts of speech 4 gender neutrality 5 no noun declension 6

Japanese is not that hard by Eric Bodnar Goodreads - Apr 03 2023

web Jul 9 2016 Japanese is not that hard begins by explaining why many language learners fail and then offers a clear solution to the problem this book contains specific Japanese language learning methods and exercises that show you how to learn Japanese easily from any source at all

how hard is it to learn Japanese Lingq language learning blog - Mar 22 2022

web learning how to correctly put the emphasis on a syllable isn't too difficult but the difficulty is in finding a way to learn the dialect you wish to learn the easiest way to go about finding a good source is finding a native speaker taking a class or [is japanese hard to learn no here s 7 reasons why](#) - Sep 08 2023

web japanese is often thought to be one of the hardest languages to learn in reality it is not as hard as it seems here are 7 reasons why it can be easy to learn japanese

[is japanese hard to learn 6 tips on how to make it easier](#) - Feb 18 2022

web the basics of japanese are not difficult to learn at first the most difficult part may be getting your head around changing verb and adjective forms because japanese has no auxiliary verbs like english we suggest you learn japanese as your second or third language because it's so much more interesting than can be imagined

[q amp a is japanese hard to learn italki](#) undefined - Jul 26 2022

web feb 20 2023 so we are here to tell you that learning japanese is not as tough as you think every language has more and less difficult bits when you get past the mental barrier of believing japanese is difficult to learn you will likely discover that you can learn japanese and with little to no more difficulty than any other language

in your opinion is japanese not that hard r learnjapanese reddit - Oct 09 2023

web jun 28 2021 in your opinion is japanese not that hard i've been studying for a year now and while i'm really far from fluent it's starting to feel like japanese isn't actually all that over the top complicated and hard as i originally thought as long as i know the words reading is nice and easy

[expanding tactics for listening third edition oxford university](#) - Oct 04 2023

web expanding student book stening third edition click on a unit to download and listen to select tracks you can also download all the available tracks from this level in one zip file unit 1 audio zip 4 79mb unit 2 audio zip 4 82mb unit 3 audio zip 5 51mb unit 4 audio zip 5 68mb unit 5 audio zip 5 12mb

[tactics for listening third edition learning resources oxford](#) - Apr 29 2023

web 1 day ago this premium content available to you as a valued user allows you to access and download audio files for each listening 1 3 pronunciation and dictation activity in the student book it also features the entire audio program for tactics for testing choose your level basic developing expanding

tactics for listening expanding student book tactics for listening - May 31 2023

web nov 14 2011 tactics for listening expanding student book tactics for listening richards jack on amazon com free shipping on qualifying offers

basic tactics for listening third edition oxford university press - Mar 29 2023

web here are the audio files for basic tactics for listening third edition click on a unit to download and listen to select tracks

you can also download all the available tracks from this level in one zip file

expanding tactics for listening 3rd edition - Jun 19 2022

web expanding tactics for listening third edition a 100 a

expanding tactics for listening third edition student book 3 - May 19 2022

web jan 1 2011 expanding tactics for listening third edition student book 3 csm stu edition by richards jack 2011 paperback paperback january 1 2011 4 5 4 5 out of 5 stars 36 ratings see all formats and editions

expanding tactics for listening 3rd edition - Jul 01 2023

web tactics for listening third edition is an activity rich listening course with proven success in building skills in listening and conversation now with tactics for testing it provides plenty of practice in testing and exam techniques the result is confident listeners

expanding tactics for listening third edition class audio cds 4 - Dec 26 2022

web nov 14 2011 expanding tactics for listening third edition class audio cds 4 3rd revised ed edition by jack richards author see all formats and editions audio cd

expanding tactics for listening third edition unit 1 youtube - Aug 22 2022

web tactics for listening third edition is a three level series of listening textbooks for english learners comprehensively revised and expanded to provide more

tactics for listening third edition oxford university press - Feb 25 2023

web learning resources bank tactics for listening third edition here are the audio files for developing tactics for listening third edition click on a unit to download and listen to select tracks you can also download all the available tracks from this level in one zip file

tactics for listening third edition student book expanding - Jan 27 2023

web tactics for listening third expanding student book isbn 9780194013864 course tactics for listening third tactics for listening third edition features jack richards practical english methodology and easy to teach format now updated for today s classroom and self assessment needs

expanding tactics for listening 3rd google drive - Sep 03 2023

web tactics for listening expanding student book languagedownload ir pdf owner hidden feb 11 2018

tactics for listening third edition expanding unit 10 television - Apr 17 2022

web jan 14 2022 tactics for listening third edition expanding unit 10 television mdk tv 13k subscribers subscribe 109 share 9 8k views 1 year ago united kingdom

tactics for listening expanding 3rd pdf scribd - Jul 21 2022

web tactics for listening expanding 3rd read online for free for listening skills for listening skills open navigation menu close suggestions search search en change language close menu interchange 4th edition level 1 student book pdfdrive com sin seut unit 1 unit 8 unit 1 unit 8 hadjira slafa

expanding tactics for listening richards jack c 1943 free - Oct 24 2022

web this third level of a three level series that gives intermediate students who have studied english previously extensive practice in understanding everyday conversational language there are 24 unit lessons accompanied by tactics for testing materials to assist students with the listening sections of the toeic test the toefl test ielts and

tactics for listening expanding skills oxford university press - Aug 02 2023

web tactics for listening third edition is an activity rich listening course with proven success in building skills in listening and conversation now with tactics for testing it provides plenty of practice in testing and exam techniques

tactics for listening 3rd expanding work book pdf scribd - Feb 13 2022

web tactics for listening 3rd expanding work book uploaded by lê thị kim anh tactics for listening 3rd expanding work book copyright all rights reserved available formats download as pdf txt or read online from scribd flag for inappropriate content

download now of 52 irlanguage com f irlanguage com f irlanguage com

expanding tactics for listening third edition student book - Nov 24 2022

web expanding tactics for listening third edition student book richards jack published by oxford university press 2011 isbn 10 0194013863 isbn 13 9780194013864 new paperback quantity 1 seller big bill s books austin tx u s a rating seller rating book description paperback condition new brand new copy

tactics for listening third edition expanding - Mar 17 2022

web british royal navy basic tactics for listening jun 15 2023 a fresh new edition of the classroom proven listening skills favourite expanding tactics for listening sep 25 2021 expanding tactics for listening is the third book of a comprehensive three level listening skills course for adult and young adult learners of american english

expanding tactics for listening lingq language library - Sep 22 2022

web tactics for listening third edition is an activity rich listening course with proven success in building skills in listening and conversation now with tactics for testing it provides plenty of practice in testing and exam techniques the result is confident listeners

si te bejme nje memo pdf pdf tylerreedmarchant com - Apr 19 2023

web apr 26 2023 si te bejme nje memo pdf thank you very much for downloading si te bejme nje memo pdf maybe you have knowledge that people have look numerous time

si te bejme nje memo pdf uniport edu - Dec 15 2022

web apr 23 2023 si te bejme nje memo 1 4 downloaded from uniport edu ng on april 23 2023 by guest si te bejme nje memo when people should go to the books stores

si te bejme nje memo pdf uniport edu - Aug 11 2022

web si te bejme nje memo si ta bejme per vete nje mashkull may 9 2017 shpesh deshira pet te joshur nje mashkull behet paresore per femrat per arsye se simpatia ndaj atij personi

hartimi i shkresave zyrtare dhe komunikimi shkresor - Mar 18 2023

web send memo expr iç yazışmayı gönder slang 25 argo get the memo f farkında olmak İngilizce türkçe online sözlük tureng kelime ve terimleri çevir ve farklı aksanlarda sesli

si te bejme nje memo copy brabantmagazines - Jun 21 2023

web sep 19 2023 si te bejme nje memo 2 5 downloaded from uniport edu ng on september 19 2023 by guest its inner wisdom in prose but few of these attempts have been made

ukraina me naze refuzon avionët francezë mirage 2000 Ç të - May 08 2022

web about press copyright contact us creators advertise developers terms privacy policy safety how youtube works test new features nfl sunday ticket press copyright

ukraina refuzon avionët francezë Ç të bëjmë me ta janë të vjetër - Apr 07 2022

web Ç është një nga bashkëtingëlloret e gjuhës shqipe dhe shkronja e katërt e alfabetit të saj e cila shënon këtë bashkëtingëllore me të shënohet shkronja Ç e madhe e shtypit kjo

belge Örnekleri meb - Nov 14 2022

web si te bejme nje memo unveiling the energy of verbal artistry an psychological sojourn through si te bejme nje memo in a world inundated with displays and the cacophony of

si te bejme nje memo pdf uniport edu - Oct 13 2022

web si te bejme nje memo 2 6 downloaded from uniport edu ng on july 24 2023 by guest writing and the revision of it from students and teachers to novelists and poets writing

si te bejme nje memo uniport edu - Jul 10 2022

web sep 23 2023 ukraina me naze refuzon avionët francezë mirage 2000 Ç të bëjmë me ta janë të vjetër publikuar më 23 9 2023 ora 17 38 marrëdhënia e kievit me

si të shkruajmë memo ng university - Aug 23 2023

web si të shkruajmë memo memorandum shkurt memo nga latinishtja që do të thotë se duhet të mbahet mend është një shënim dokument a çdo komunikim tjetër që

tureng memo türkçe İngilizce sözlük - Jan 16 2023

web teftiş kurulu başkanlığı milli eğitim bakanlığı teftiş kurulu başkanlığı 06648 bakanlıklar ankara 0 312 413 16 61 413 27 80

si te bejme nje memo wp publish com - Sep 12 2022

web apr 23 2023 have remained in right site to begin getting this info acquire the si te bejme nje memo member that we have enough money here and check out the link you could

car parking si te bejme nje makin 925hp te eci 500km youtube - Mar 06 2022

web jun 30 2014 ketu keni nje video tutorial se si te bejme nje kenge me tekst lyrics hi here you have a tutorial how to make a song with lyrics ndihme rreth kompjuterit 372

si te bejme nje memo pdf book traditionalcatholicpriest com - Feb 17 2023

web jul 15 2023 si te bejme nje memo 1 5 downloaded from uniport edu ng on july 15 2023 by guest si te bejme nje memo as recognized adventure as well as experience more

Ç wikipedia - Feb 05 2022

web may 27 2023 si te bejme nje memo 2 5 downloaded from uniport edu ng on may 27 2023 by guest as migrant and reflections as a researcher studying her own communities

si te bejme nje memo pdf uniport edu - May 20 2023

web may 19 2023 si te bejme nje memo pdf is available in our digital library an online access to it is set as public so you can download it instantly our digital library saves in multiple

memorandumi memo përkufizimi dhe shembull eferrit com - Jul 22 2023

web si te bejme nje memo this is likewise one of the factors by obtaining the soft documents of this si te bejme nje memo by online you might not require more become old to

si te bejme nje kenge me tekst lyrics youtube - Jan 04 2022

web mar 29 2023 si te bejme nje memo thank you entirely much for downloading si te bejme nje memo maybe you have knowledge that people have see numerous period

ebook si te bejme nje memo domainlookup org - Nov 02 2021

si te bejme nje memo uniport edu - Dec 03 2021

web it is your totally own era to decree reviewing habit in the middle of guides you could enjoy now is si te bejme nje memo below ylli 1971 the palace of dreams ismail kadare

si te bejme nje memo copy uniport edu - Oct 01 2021

si te bejme nje memo 178 128 217 59 - Jun 09 2022

web 8 hours ago në vlerësimin e përfaqësuesit të forcave ajrore të ukrainës furnizimi me mirage 2000 nuk do të ishte një vendim logjik ndërsa më pas ai theksoi se këtë avionë