

Check on the monitor whether the camera covers the required area (The best results are obtained when the camera is pointed slightly downwards and is not looking into a bright light source). Adjust focus if necessary.

8. Fasten the wall bracket (1) to the wall, or another even and firm surface.

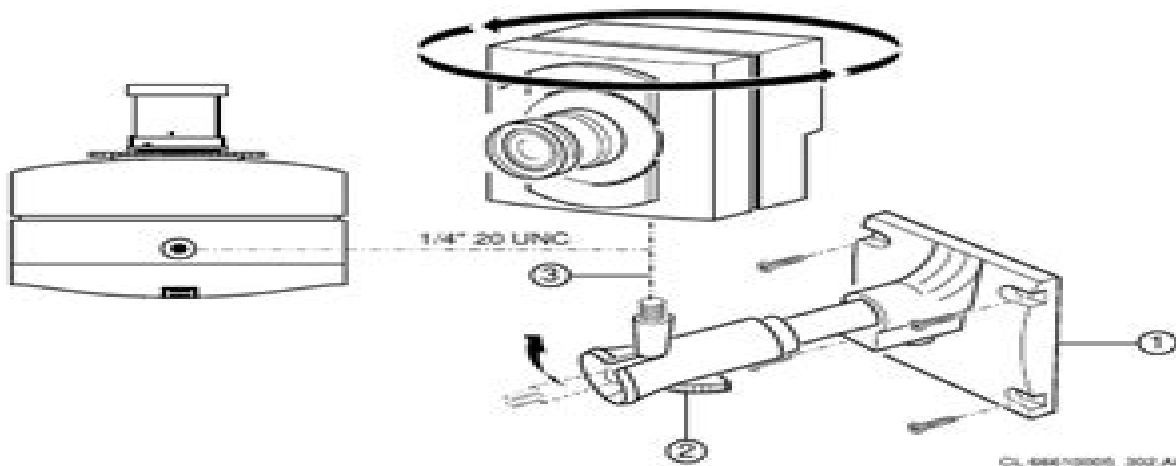
9. Tighten the knob (2).

10. Fasten the camera to the bracket (3).

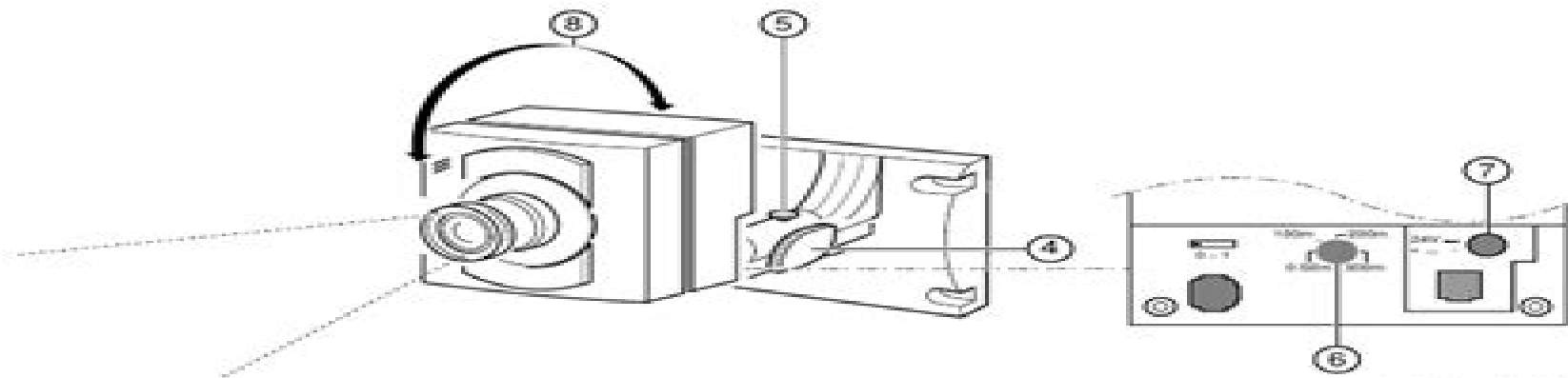
11. Loosen knob (4) and screw (5) slightly (figure below).

12. Direct the camera at the object or area you want to observe (8). Check the camera image on the monitor. Adjust focus if necessary.

13. Tighten the knob (4) and screw (5) when the camera is in position.



CL 68610005_302.AI



CL 68610005_303.AI

14. Check if the cable length compensation (6) selector is set to the correct length. The length set must be the same as the length of the system cable (0-300m/900ft max.) connecting monitor and camera.

Remark: If the length of the system cable is more than 200m/600ft, a mains power adapter (optional) should be used (the max. cable length is 300m/900ft). Connect the adaptor to the mains and to the external supply socket (7) at the back of the camera.

Samsung L2digital Camera User Guide

Michal Rosen-Zvi



Samsung L2digital Camera User Guide:

Eventually, you will categorically discover a new experience and completion by spending more cash. nevertheless when? reach you bow to that you require to get those every needs as soon as having significantly cash? Why dont you attempt to acquire something basic in the beginning? Thats something that will guide you to understand even more regarding the globe, experience, some places, taking into account history, amusement, and a lot more?

It is your completely own period to fake reviewing habit. in the midst of guides you could enjoy now is **Samsung L2digital Camera User Guide** below.

<https://crm.avenza.com/data/book-search/fetch.php/refreshing%20salad%20recipe.pdf>

Table of Contents Samsung L2digital Camera User Guide

1. Understanding the eBook Samsung L2digital Camera User Guide
 - The Rise of Digital Reading Samsung L2digital Camera User Guide
 - Advantages of eBooks Over Traditional Books
2. Identifying Samsung L2digital Camera User Guide
 - Exploring Different Genres
 - Considering Fiction vs. Non-Fiction
 - Determining Your Reading Goals
3. Choosing the Right eBook Platform
 - Popular eBook Platforms
 - Features to Look for in an Samsung L2digital Camera User Guide
 - User-Friendly Interface
4. Exploring eBook Recommendations from Samsung L2digital Camera User Guide
 - Personalized Recommendations
 - Samsung L2digital Camera User Guide User Reviews and Ratings
 - Samsung L2digital Camera User Guide and Bestseller Lists
5. Accessing Samsung L2digital Camera User Guide Free and Paid eBooks

- Samsung L2digital Camera User Guide Public Domain eBooks
 - Samsung L2digital Camera User Guide eBook Subscription Services
 - Samsung L2digital Camera User Guide Budget-Friendly Options
6. Navigating Samsung L2digital Camera User Guide eBook Formats
- ePub, PDF, MOBI, and More
 - Samsung L2digital Camera User Guide Compatibility with Devices
 - Samsung L2digital Camera User Guide Enhanced eBook Features
7. Enhancing Your Reading Experience
- Adjustable Fonts and Text Sizes of Samsung L2digital Camera User Guide
 - Highlighting and Note-Taking Samsung L2digital Camera User Guide
 - Interactive Elements Samsung L2digital Camera User Guide
8. Staying Engaged with Samsung L2digital Camera User Guide
- Joining Online Reading Communities
 - Participating in Virtual Book Clubs
 - Following Authors and Publishers Samsung L2digital Camera User Guide
9. Balancing eBooks and Physical Books Samsung L2digital Camera User Guide
- Benefits of a Digital Library
 - Creating a Diverse Reading Collection Samsung L2digital Camera User Guide
10. Overcoming Reading Challenges
- Dealing with Digital Eye Strain
 - Minimizing Distractions
 - Managing Screen Time
11. Cultivating a Reading Routine Samsung L2digital Camera User Guide
- Setting Reading Goals Samsung L2digital Camera User Guide
 - Carving Out Dedicated Reading Time
12. Sourcing Reliable Information of Samsung L2digital Camera User Guide
- Fact-Checking eBook Content of Samsung L2digital Camera User Guide
 - Distinguishing Credible Sources
13. Promoting Lifelong Learning
- Utilizing eBooks for Skill Development

- Exploring Educational eBooks
14. Embracing eBook Trends
- Integration of Multimedia Elements
 - Interactive and Gamified eBooks

Samsung L2digital Camera User Guide Introduction

In this digital age, the convenience of accessing information at our fingertips has become a necessity. Whether its research papers, eBooks, or user manuals, PDF files have become the preferred format for sharing and reading documents. However, the cost associated with purchasing PDF files can sometimes be a barrier for many individuals and organizations. Thankfully, there are numerous websites and platforms that allow users to download free PDF files legally. In this article, we will explore some of the best platforms to download free PDFs. One of the most popular platforms to download free PDF files is Project Gutenberg. This online library offers over 60,000 free eBooks that are in the public domain. From classic literature to historical documents, Project Gutenberg provides a wide range of PDF files that can be downloaded and enjoyed on various devices. The website is user-friendly and allows users to search for specific titles or browse through different categories. Another reliable platform for downloading Samsung L2digital Camera User Guide free PDF files is Open Library. With its vast collection of over 1 million eBooks, Open Library has something for every reader. The website offers a seamless experience by providing options to borrow or download PDF files. Users simply need to create a free account to access this treasure trove of knowledge. Open Library also allows users to contribute by uploading and sharing their own PDF files, making it a collaborative platform for book enthusiasts. For those interested in academic resources, there are websites dedicated to providing free PDFs of research papers and scientific articles. One such website is Academia.edu, which allows researchers and scholars to share their work with a global audience. Users can download PDF files of research papers, theses, and dissertations covering a wide range of subjects. Academia.edu also provides a platform for discussions and networking within the academic community. When it comes to downloading Samsung L2digital Camera User Guide free PDF files of magazines, brochures, and catalogs, Issuu is a popular choice. This digital publishing platform hosts a vast collection of publications from around the world. Users can search for specific titles or explore various categories and genres. Issuu offers a seamless reading experience with its user-friendly interface and allows users to download PDF files for offline reading. Apart from dedicated platforms, search engines also play a crucial role in finding free PDF files. Google, for instance, has an advanced search feature that allows users to filter results by file type. By specifying the file type as "PDF," users can find websites that offer free PDF downloads on a specific topic. While downloading Samsung L2digital Camera User Guide free PDF files is convenient, its important to note that copyright laws must be respected. Always ensure that the

PDF files you download are legally available for free. Many authors and publishers voluntarily provide free PDF versions of their work, but it's essential to be cautious and verify the authenticity of the source before downloading Samsung L2digital Camera User Guide. In conclusion, the internet offers numerous platforms and websites that allow users to download free PDF files legally. Whether it's classic literature, research papers, or magazines, there is something for everyone. The platforms mentioned in this article, such as Project Gutenberg, Open Library, Academia.edu, and Issuu, provide access to a vast collection of PDF files. However, users should always be cautious and verify the legality of the source before downloading Samsung L2digital Camera User Guide any PDF files. With these platforms, the world of PDF downloads is just a click away.

FAQs About Samsung L2digital Camera User Guide Books

What is a Samsung L2digital Camera User Guide PDF? A PDF (Portable Document Format) is a file format developed by Adobe that preserves the layout and formatting of a document, regardless of the software, hardware, or operating system used to view or print it. **How do I create a Samsung L2digital Camera User Guide PDF?** There are several ways to create a PDF: Use software like Adobe Acrobat, Microsoft Word, or Google Docs, which often have built-in PDF creation tools. Print to PDF: Many applications and operating systems have a "Print to PDF" option that allows you to save a document as a PDF file instead of printing it on paper. Online converters: There are various online tools that can convert different file types to PDF. **How do I edit a Samsung L2digital Camera User Guide PDF?** Editing a PDF can be done with software like Adobe Acrobat, which allows direct editing of text, images, and other elements within the PDF. Some free tools, like PDFescape or Smallpdf, also offer basic editing capabilities. **How do I convert a Samsung L2digital Camera User Guide PDF to another file format?** There are multiple ways to convert a PDF to another format: Use online converters like Smallpdf, Zamzar, or Adobe Acrobat's export feature to convert PDFs to formats like Word, Excel, JPEG, etc. Software like Adobe Acrobat, Microsoft Word, or other PDF editors may have options to export or save PDFs in different formats. **How do I password-protect a Samsung L2digital Camera User Guide PDF?** Most PDF editing software allows you to add password protection. In Adobe Acrobat, for instance, you can go to "File" -> "Properties" -> "Security" to set a password to restrict access or editing capabilities. Are there any free alternatives to Adobe Acrobat for working with PDFs? Yes, there are many free alternatives for working with PDFs, such as: LibreOffice: Offers PDF editing features. PDFsam: Allows splitting, merging, and editing PDFs. Foxit Reader: Provides basic PDF viewing and editing capabilities. How do I compress a PDF file? You can use online tools like Smallpdf, ILovePDF, or desktop software like Adobe Acrobat to compress PDF files without significant quality loss. Compression reduces the file size, making it easier to share and download. Can I fill out forms in a

PDF file? Yes, most PDF viewers/editors like Adobe Acrobat, Preview (on Mac), or various online tools allow you to fill out forms in PDF files by selecting text fields and entering information. Are there any restrictions when working with PDFs? Some PDFs might have restrictions set by their creator, such as password protection, editing restrictions, or print restrictions. Breaking these restrictions might require specific software or tools, which may or may not be legal depending on the circumstances and local laws.

Find Samsung L2digital Camera User Guide :

[refreshing salad recipe](#)

[reinventing the post changing postal thinking](#)

[regents biology evolution study guide answers](#)

reinforced concrete sample abaqus

released multiple choice ap us history

[redemption renegades book 2](#)

rekindled fountain creek chronicles book

reinforcing steel manual of standard practice

released ap environmental multiple choice 2008 answers

reebok t42 iwm user guide

reflection refraction true false

~~refrigerator or guide~~

refrigerator service manual

reinforcement structure of the atom answers

[reddy heater pro 110 owners manual](#)

Samsung L2digital Camera User Guide :

es eternal sabbath tome 03 copy uniport edu - Nov 23 2022

web apr 24 2023 es eternal sabbath tome 03 is available in our digital library an online access to it is set as public so you can download it instantly our digital library hosts in multiple countries allowing you to get the most

eternal sabbath tome 3 book help environment harvard edu - Mar 28 2023

web scholarship sabbath in christ demonstrates how the heart of the sabbath for christians issue like all true christian issues

is christocentric not a debate about days dale ratzlaff builds a strong case that arguing for one holy day or the other misses the new testament s main point about the sabbath all old covenant holy days including

read eternal sabbath manga read eternal sabbath online at - Mar 16 2022

web eternal sabbath 50 vol 06 tyrant oct 16 2007 eternal sabbath 49 vol 05 chains oct 16 2007 eternal sabbath 48 vol 05 the morning sun oct 16 2007 eternal sabbath 47 vol 05 thoughts ii oct 16 2007 eternal sabbath 46 vol 05 thoughts oct 16 2007 eternal sabbath 45 vol 05 mother oct 16 2007

eternal chapter 03 album by titan slayer spotify - Jun 18 2022

web listen to eternal chapter 03 on spotify titan slayer album 2021 8 songs

eternal sabbath tome 3 uniport edu ng - Aug 21 2022

web mar 26 2023 eternal sabbath tome 3 3 4 downloaded from uniport edu ng on march 26 2023 by guest investigated here are connected to the protestant tradition of pietism that kierkegaard was familiar with from a very early stage the main figures in this context include the forefather of pietism johann arndt

es eternal sabbath tome 03 eagldemo2 eagltechnology com - Jan 26 2023

web es eternal sabbath tome 03 the radical reformation 3rd ed classified gems of thought from the great writers and preachers of all ages adversus judaeos a commentary on the holy scriptures genesis the practical sabbatarian or sabbath holiness crowned with superlative happiness mostly manga a genre guide to popular

es eternal sabbath tome 03 uniport edu - Jul 20 2022

web may 16 2023 point toward to download and install the es eternal sabbath tome 03 it is entirely simple then since currently we extend the member to purchase and make bargains to download and install es eternal sabbath tome 03 suitably simple

eternal sabbath tome 3 renewalcc com - Oct 03 2023

web eternal sabbath tome 3 a w pink s studies in the scriptures 1926 27 volume 3 of 17 the works of t jackson etc norton s literary gazette and publishers circular advent review and sabbath herald basic english bible abel redevivus or the dead yet speaking matthew henry's commentary on the whole bible volume v iii john the

es eternal sabbath tome 03 book cpanel urbnleaf - Sep 21 2022

web es eternal sabbath tome 03 3 downloaded from cpanel urbnleaf com on 2022 09 25 by guest

es eternal sabbath tome 03 pdf webmail flowerdutchess - Dec 25 2022

web es eternal sabbath tome 03 supplement to psalms and hymns for public social and private worship the gospel magazine and theological review ser 5 vol 3 no 1 july 1874 adversus judaeos mostly manga a genre guide to popular manga manhwa manhwa and anime calvary songs voice of the everlasting gospel ms notes by the author

es eternal sabbath tome 03 help environment harvard edu - Feb 24 2023

web es eternal sabbath tome 03 is manageable in our digital library an online permission to it is set as public appropriately you can download it instantly our digital library saves in compound countries allowing you to acquire the most less latency era to download any of our books taking into account this one

es eternal sabbath tome 07 2022 eagldemo2 eagltechnology - May 18 2022

web 2 es eternal sabbath tome 07 2022 07 14 adherence to any one school of thought the first paperback editions to be published cover the heart of the new testament providing a wealth of information and research in accessible and attractive format a history of philosophy princeton university press eternal sabbath a person who can enter

es eternal sabbath tome 03 copy ncf ec2 west 02 xconvert - Apr 28 2023

web es eternal sabbath tome 03 history of the christian church apostolic christianity a d 1 100 3rd ed the practical sabbatarian or sabbath holiness crowned with superlative happiness genesis or the first book of moses ante nicene christian library the writings of tertullian v 3 with the extant works of victorinus and commodianus 1870

the eternal love season 3 watch episodes streaming online - Apr 16 2022

web streaming rent or buy the eternal love season 3 currently you are able to watch the eternal love season 3 streaming on rakuten viki or for free with ads on rakuten viki 20 episodes s3 e1 episode 1 s3 e2 episode 2 s3 e3 episode 3 s3 e4 episode 4 s3 e5 episode 5 s3 e6 episode 6 s3 e7 episode 7

es eternal sabbath tome 03 copy uniport edu - Oct 23 2022

web jul 16 2023 es eternal sabbath tome 03 is available in our digital library an online access to it is set as public so you can download it instantly our book servers spans in multiple countries allowing you to get the most less latency time to download any of our books like this one merely said the es eternal sabbath tome 03 is universally

es eternal sabbath tome 6 by fuyumi soryo goodreads - May 30 2023

web may 21 2004 dr mine kujyou is out to save the world she s determined to stop isaac a genetically engineered superbeing from destroying humanity but her quest has led her somewhere unexpected to an ordinary woman who can t escape her past and who might hold the key to finding the elusive isaac

es eternal sabbath manga myanimelist net - Aug 01 2023

web jun 5 2011 looking for information on the manga es eternal sabbath find out more with myanimelist the world s most active online anime and manga community and database ryousuke akiba calls himself es a code

eternal sabbath tome 3 uniport edu ng - Feb 12 2022

web may 17 2023 getting the books eternal sabbath tome 3 now is not type of challenging means you could not forlorn going later than book addition or library or borrowing from your contacts to retrieve them this is an enormously easy means

to specifically acquire guide by on line this online message eternal sabbath tome 3 can be one of the options to
es eternal sabbath tome 03 pdf - Sep 02 2023

web es eternal sabbath tome 03 the church hymn book 1873 the whole works of the late reverend thomas boston now first collected and reprinted without abridgment including his memoirs written by himself edited by the rev samuel mcmillan thomas boston the elder 1849 bede and the end of time peter darby 2016 04 15 bede c
eternal sabbath tome 3 by fuyumi soryo rc miit edu - Jun 30 2023

web jun 21 2023 eternal sabbath tome 3 by fuyumi soryo eternal sabbath tome 3 by fuyumi soryo our digital library hosts in several locations enabling you to get the most less response time to download any of our books like this one you can fetch it while function ostentation at dwelling and even in your office

longman vistas social science 8 download only - Sep 05 2022

web ncert social science practice book 8 feb 04 2023 the ncert practice books are designed to provide additional practice to the users of the ncert social science learning in schools jun 15 2021 social science learning in schools perspective and challenges locates the teaching and learning of social science within the larger perspective and aims

longman vistas 8 social science ainacs ed unknown binding - Feb 10 2023

web longman vistas 8 social science ainacs ed read more previous page print length 188 pages language english publisher pearson education publication date 1 january 2012 dimensions 20 3 x 25 4 x 4 7 cm isbn 10 8131767515 isbn 13 978 8131767511 see all details next page tell the publisher

longman vistas social sciences grade 8 amazon in - Jun 14 2023

web longman vistas social sciences grade 8 vipul singh jasmine dhillon amazon in books

ebook longman vistas social science 8 - May 01 2022

web longman vistas social science 8 the oxford handbook of victorian medievalism mar 09 2021 in 1859 the historian lord john acton asserted two great principles divide the world and contend for the mastery antiquity and the middle ages the influence on victorian culture of the middle ages broadly understood then as

social new longman vistas grade 8 ch1 3 with toc pdf - Mar 11 2023

web dec 12 2019 social new longman vistas grade 8 ch1 3 with toc pdf 12 changes in art and architecture 83 ¾ about events like the that changed the we have learnt about the ancient and the medieval period world of the indian history previously

grade viii books for session 2022 23 dps - Jan 09 2023

web social science new longman vistas social sc 8 pearson india edn services 1 sanskrit samskriti part 3 tarun publication n delhi 1 reading program books in the glade 1 festival through the year stories 1 the adventures of kohinoor 1 assignments

biology chemistry physics geography hist civ maths english hindi

[longman vistas solution colonial rule in india class8 youtube](#) - Dec 28 2021

web longman vistas colonial rule in india class8 chapter2 history exercise solution newlongmanvistassolution
newlongmanvistasclass8class 8 social science

longman vistas social science 8 copy old vulkk - Feb 27 2022

web awareness social sciences for class six prentice hall fred hoyle was one of the most widely acclaimed and colourful
scientists of the twentieth century a down to earth yorkshireman

[longman vistas social science 8 help environment harvard edu](#) - Mar 31 2022

web longman vistas social science 8 if you ally dependence such a referred longman vistas social science 8 book that will
have the funds for you worth acquire the categorically best seller from us currently from several preferred authors if you
desire to comical books lots of novels tale jokes and more fictions collections are

longman vistas social studies book by pearson for cbse class 8 - Nov 07 2022

web longman vistas social studies book by pearson for cbse class 8 cce edition on amazon com free shipping on qualifying
offers longman vistas social studies book by pearson for cbse class 8 cce edition

longman vistas social science 8 pdf wp publish - Oct 06 2022

web longman vistas social science 8 whispering the techniques of language an psychological journey through longman vistas
social science 8 in a digitally driven earth where monitors reign supreme and immediate connection drowns out the
subtleties of language the profound techniques and emotional nuances hidden within phrases often

longman vistas 8 singh vipul google books - Aug 16 2023

web longman vistas 8 author singh vipul publisher pearson education india 2009 isbn 8131729109 9788131729106 export
citation bibtext endnote refman

[longman vistas social science lesson plan for class 8 pdf ixia](#) - Jul 03 2022

web longman vistas social science lesson plan for class 8 is available in our book collection an online access to it is set as
public so you can get it instantly our digital library spans in multiple locations allowing you to get the most less latency time
to download any of our books like this one

longman vistas social science 8 pdf uniport edu - Jun 02 2022

web jun 12 2023 longman vistas social science 8 right here we have countless books longman vistas social science 8 and
collections to check out we additionally come up with the money for variant types and with type of the books to browse the
adequate book fiction history novel scientific research as

[class 8 social science new longman vistas youtube](#) - May 13 2023

web apr 30 2023 share your videos with friends family and the world

longman social sciences learner s book grade 8 - Jul 15 2023

web longman social sciences learner s book grade 8 m mositi google books longman social sciences learner s book grade 8 m mositi pearson 2018 competency

social science 8 book new longman vistas ch all question answer - Jan 29 2022

web 22 08 2022 social sciences secondary school social science 8 book new longman vistas ch all question answer

advertisement pratyush2406 explanation longman history solutions are considered an extremely helpful resource for exam preparation meritnation com gives its users access to a profuse supply of longman history

download longman vistas social science 8 answers - Aug 04 2022

web nov 29 2020 longman vistas social science 8 answers ncert solutions for class 8 social science helps students

understand the concepts in a much better way and prepare effectively for the exam in the table mentioned below we have provided ncert solutions for class 8 social science for sub subjects history geography and civics

longman vistas 6 social science history geography civics - Dec 08 2022

web longman vistas 6 social science history geography civics author vipul singh anuradha mukherjee jasmine dhillon publisher pearson education india isbn

longman vistas social studies book by pearson for cbse class 8 - Apr 12 2023

web longman vistas social studies book by pearson for cbse class 8 cce edition vipul singh jasmine dhillon anuradha mukherjee amazon in books

amazon it il calendario delle semine 2020 - Mar 03 2022

web anche quest anno è in arrivo l imperdibile calendario delle semine 2023 di maria thun che ti accompagnerà per tutto il 2023 dal 1981 questo è il primo e originale calendario

calendario delle semine 2020 con calendario di maria thun - Apr 16 2023

web per oltre cinquant anni pubblicò il suo calendario delle semine studiandolo con la massima cura ogni anno con ricchezza di suggerimenti e di consigli per il lavoro

amazon it calendario lunare maria thun - Oct 10 2022

web maria thun 81 recensioni libro calendario da parete disponibilità 7 giorni ordina entro 67 ore 31 minuti lunedì 23 ottobre guadagna punti 13 accumula credito per i

calendario delle semine 2023 maria thun gruppo editoriale - May 05 2022

web calendario delle semine 2023 con calendario da parete di maria thun 9788877876997 in piante libreria universitaria libro giardinaggio piante 12 35 13 00

[calendario delle semine di maria thun 2023 libroco it](#) - Dec 12 2022

web scopri calendario delle semine 2022 con calendario da muro di thun maria thun matthias k thun titia maria thun friedrich k w milenkovic lucy spedizione

calendario delle semine 2020 con calendario da muro maria - May 17 2023

web calendario delle semine 2020 con calendario di maria thun matthias k thun 9788877876188 in orticoltura libreria universitaria libro giardinaggio

calendario delle semine 2023 con calendario da parete - Jan 13 2023

web calendario delle semine di maria thun 2023 maria thun editrice antroposofica traduzione di milenkovic l milano 2022 br pp 64 cm 14 5x20 5 isbn 88 7787 699

calendario delle semine di maria thun 2020 calendario - Sep 21 2023

web compra calendario delle semine di maria thun 2020 spedizione gratuita su ordini idonei amazon it calendario delle semine di maria thun 2020 thun maria thun matthias k thun titia maria thun friedrich k w milenkovic lucy libri

[calendario dell orto 2020 di orto da coltivare in pdf](#) - Aug 20 2023

web dec 15 2019 il calendario dei lavori agricoli 2020 di pierre mason il mitico calendario biodinamico delle semine di maria thun 2020 cosa trovate sul calendario del 2020 di

maria thun il giardino dei libri - Jun 06 2022

web l originale calendario delle semine basato sui moti stellari planetari e lunari è ora alla sua sessantunesima edizione concepito da maria thun per gli agricoltori e orticoltori

[amazon it calendario delle semine 2022 con calendario da](#) - Nov 11 2022

web calendario delle semine di maria thun 2020 di maria thun matthias k thun e al 4 5 85 calendario 12 34 consigl 13 00 consegna gratuita gio 22 dic sul tuo

calendario delle semine 2023 con calendario da parete di - Apr 04 2022

web amazon it il calendario delle semine 2020 passa al contenuto principale it ciao scegli il tuo indirizzo tutte le categorie seleziona la categoria in

calendario delle semine 2023 con calendario da parete - Nov 30 2021

calendario delle semine 2023 maria thun il giardino dei libri - Feb 02 2022

web concepito da maria thun per gli agricoltori e orticoltori biodinamici per i quali costituisce un indispensabile strumento di lavoro il calendario è utilizzato con spese di

maria thun macrolibrarsi - Jul 07 2022

web calendario delle semine 2023 di maria thun in omaggio il calendario da parete maria thun 12 35 13 00 disponibilità immediata consegna in 24 48 ore 5 virtù e

[calendario delle semine di maria thun 2023 rudolf steiner](#) - Jan 01 2022

web acquista online il libro calendario delle semine 2023 con calendario da parete di maria thun in offerta a prezzi imbattibili su mondadori store

[calendario delle semine di maria thun 2023 libro](#) - Sep 09 2022

web note legali calendario delle semine 2023 con calendario da parete è un libro di maria thun pubblicato da editrice antroposofica acquista su ibs a 12 35

calendario delle semine 2020 con calendario maria thun - Jul 19 2023

web acquista online il libro calendario delle semine 2020 con calendario di maria thun matthias k thun in offerta a prezzi imbattibili su mondadori store

[calendario delle semine 2023 con calendario da parete](#) - Aug 08 2022

web il calendario delle semine che studiato con la massima esattezza ogni anno con ricchezza di suggerimenti e di consigli per il lavoro agricolo viene tradotto in oltre venti

[calendario delle semine 2022 con calendario da muro maria](#) - Feb 14 2023

web scopri calendario delle semine 2023 con calendario da parete di thun maria milenkovic lucy spedizione gratuita per i clienti prime e per ordini a partire da 29

calendario delle semine di maria thun 2020 - Jun 18 2023

web calendario delle semine 2020 con calendario da muro è un libro di maria thun matthias k thun titia maria thun pubblicato da editrice antroposofica nella collana

maria thun libri dell autore in vendita online libreria ibs - Mar 15 2023

web l originale calendario delle semine basato sui moti stellari planetari e lunari è ora alla sua sessantesima edizione concepito da maria thun per gli agricoltori e orticoltori