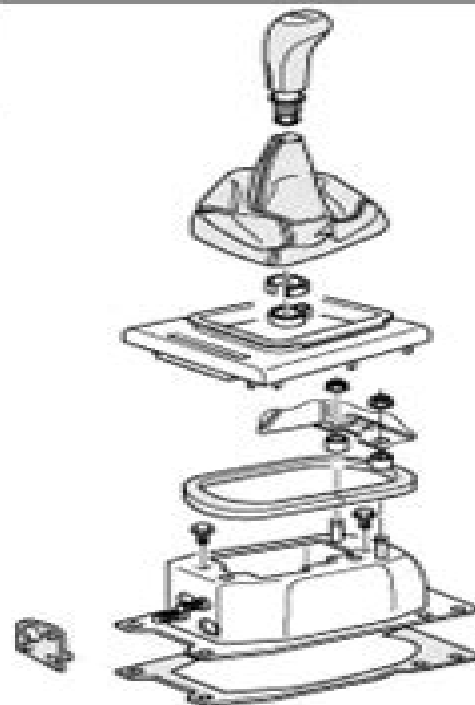
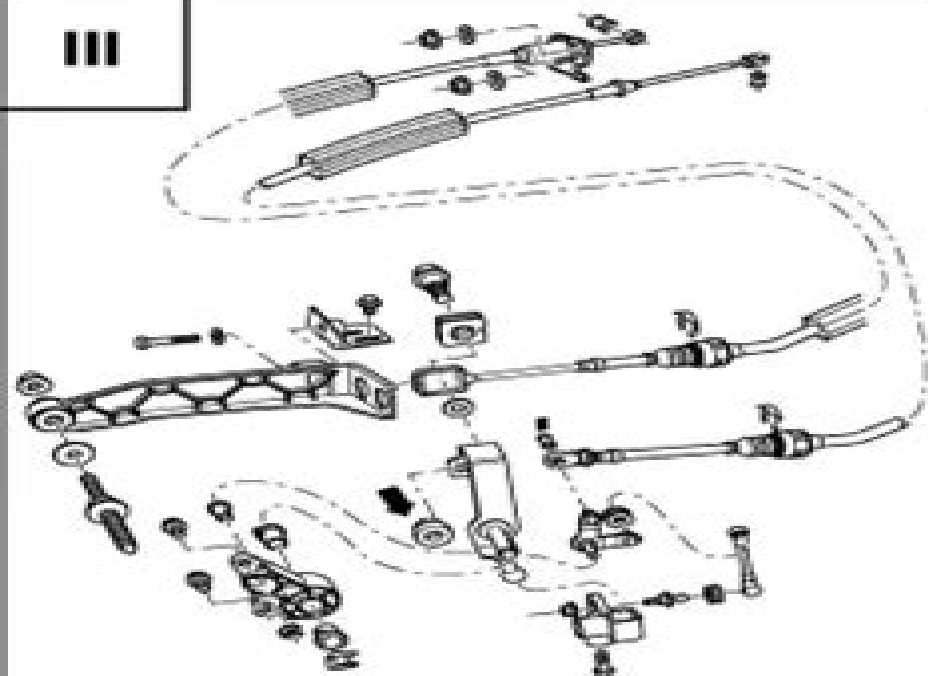


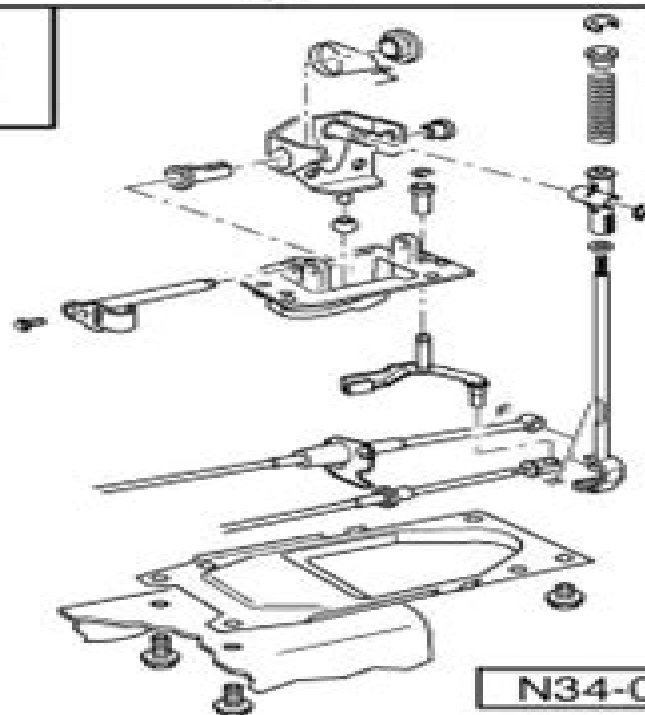
I



III



II



N34-0440

Polo 6n Manual English

Lei Shi



Polo 6n Manual English:

Catalogue of the Free Public Library, Sydney Free Public Library of New South Wales (SYDNEY),1872 *The Athenaeum* ,1902 **Team Play Polo Manual** ,1985 **Polo II General User's Manual** L. A. Lopez,1972 *Polo Manual* Julian Robert Lindsey,1913 **Polo** Peter J. Cutino,Dennis R. Bledsoe,1976-01-01 Wasserball Verteidigung Angriffstaktik USA Torwart Spieltaktik Ballabgabe **Polo** United States Polo Association,1947 **Indoor Polo Association of America, Inc** Indoor Polo Association of America, Inc,1952 **Water Polo Manual** International Amateur Swimming Federation,1992 *The Complete Book of Water Polo* Ralph W. Hale,1986-01-01

This book delves into Polo 6n Manual English. Polo 6n Manual English is a crucial topic that needs to be grasped by everyone, from students and scholars to the general public. This book will furnish comprehensive and in-depth insights into Polo 6n Manual English, encompassing both the fundamentals and more intricate discussions.

1. The book is structured into several chapters, namely:

- Chapter 1: Introduction to Polo 6n Manual English
- Chapter 2: Essential Elements of Polo 6n Manual English
- Chapter 3: Polo 6n Manual English in Everyday Life
- Chapter 4: Polo 6n Manual English in Specific Contexts
- Chapter 5: Conclusion

2. In chapter 1, the author will provide an overview of Polo 6n Manual English. The first chapter will explore what Polo 6n Manual English is, why Polo 6n Manual English is vital, and how to effectively learn about Polo 6n Manual English.

3. In chapter 2, this book will delve into the foundational concepts of Polo 6n Manual English. The second chapter will elucidate the essential principles that must be understood to grasp Polo 6n Manual English in its entirety.

4. In chapter 3, the author will examine the practical applications of Polo 6n Manual English in daily life. The third chapter will showcase real-world examples of how Polo 6n Manual English can be effectively utilized in everyday scenarios.

5. In chapter 4, this book will scrutinize the relevance of Polo 6n Manual English in specific contexts. This chapter will explore how Polo 6n Manual English is applied in specialized fields, such as education, business, and technology.

6. In chapter 5, this book will draw a conclusion about Polo 6n Manual English. The final chapter will summarize the key points that have been discussed throughout the book.

The book is crafted in an easy-to-understand language and is complemented by engaging illustrations. This book is highly recommended for anyone seeking to gain a comprehensive understanding of Polo 6n Manual English.

<https://crm.avenza.com/public/scholarship/HomePages/Q%20See%20Qsdt8dp%20Manual.pdf>

Table of Contents Polo 6n Manual English

1. Understanding the eBook Polo 6n Manual English

- The Rise of Digital Reading Polo 6n Manual English
- Advantages of eBooks Over Traditional Books
- 2. Identifying Polo 6n Manual English
 - Exploring Different Genres
 - Considering Fiction vs. Non-Fiction
 - Determining Your Reading Goals
- 3. Choosing the Right eBook Platform
 - Popular eBook Platforms
 - Features to Look for in an Polo 6n Manual English
 - User-Friendly Interface
- 4. Exploring eBook Recommendations from Polo 6n Manual English
 - Personalized Recommendations
 - Polo 6n Manual English User Reviews and Ratings
 - Polo 6n Manual English and Bestseller Lists
- 5. Accessing Polo 6n Manual English Free and Paid eBooks
 - Polo 6n Manual English Public Domain eBooks
 - Polo 6n Manual English eBook Subscription Services
 - Polo 6n Manual English Budget-Friendly Options
- 6. Navigating Polo 6n Manual English eBook Formats
 - ePub, PDF, MOBI, and More
 - Polo 6n Manual English Compatibility with Devices
 - Polo 6n Manual English Enhanced eBook Features
- 7. Enhancing Your Reading Experience
 - Adjustable Fonts and Text Sizes of Polo 6n Manual English
 - Highlighting and Note-Taking Polo 6n Manual English
 - Interactive Elements Polo 6n Manual English
- 8. Staying Engaged with Polo 6n Manual English
 - Joining Online Reading Communities
 - Participating in Virtual Book Clubs
 - Following Authors and Publishers Polo 6n Manual English

9. Balancing eBooks and Physical Books Polo 6n Manual English
 - Benefits of a Digital Library
 - Creating a Diverse Reading Collection Polo 6n Manual English
10. Overcoming Reading Challenges
 - Dealing with Digital Eye Strain
 - Minimizing Distractions
 - Managing Screen Time
11. Cultivating a Reading Routine Polo 6n Manual English
 - Setting Reading Goals Polo 6n Manual English
 - Carving Out Dedicated Reading Time
12. Sourcing Reliable Information of Polo 6n Manual English
 - Fact-Checking eBook Content of Polo 6n Manual English
 - Distinguishing Credible Sources
13. Promoting Lifelong Learning
 - Utilizing eBooks for Skill Development
 - Exploring Educational eBooks
14. Embracing eBook Trends
 - Integration of Multimedia Elements
 - Interactive and Gamified eBooks

Polo 6n Manual English Introduction

In the digital age, access to information has become easier than ever before. The ability to download Polo 6n Manual English has revolutionized the way we consume written content. Whether you are a student looking for course material, an avid reader searching for your next favorite book, or a professional seeking research papers, the option to download Polo 6n Manual English has opened up a world of possibilities. Downloading Polo 6n Manual English provides numerous advantages over physical copies of books and documents. Firstly, it is incredibly convenient. Gone are the days of carrying around heavy textbooks or bulky folders filled with papers. With the click of a button, you can gain immediate access to valuable resources on any device. This convenience allows for efficient studying, researching, and reading on the go. Moreover, the cost-effective nature of downloading Polo 6n Manual English has democratized knowledge. Traditional books and academic journals can be expensive, making it difficult for individuals with limited financial resources to access information. By

offering free PDF downloads, publishers and authors are enabling a wider audience to benefit from their work. This inclusivity promotes equal opportunities for learning and personal growth. There are numerous websites and platforms where individuals can download Polo 6n Manual English. These websites range from academic databases offering research papers and journals to online libraries with an expansive collection of books from various genres. Many authors and publishers also upload their work to specific websites, granting readers access to their content without any charge. These platforms not only provide access to existing literature but also serve as an excellent platform for undiscovered authors to share their work with the world. However, it is essential to be cautious while downloading Polo 6n Manual English. Some websites may offer pirated or illegally obtained copies of copyrighted material. Engaging in such activities not only violates copyright laws but also undermines the efforts of authors, publishers, and researchers. To ensure ethical downloading, it is advisable to utilize reputable websites that prioritize the legal distribution of content. When downloading Polo 6n Manual English, users should also consider the potential security risks associated with online platforms. Malicious actors may exploit vulnerabilities in unprotected websites to distribute malware or steal personal information. To protect themselves, individuals should ensure their devices have reliable antivirus software installed and validate the legitimacy of the websites they are downloading from. In conclusion, the ability to download Polo 6n Manual English has transformed the way we access information. With the convenience, cost-effectiveness, and accessibility it offers, free PDF downloads have become a popular choice for students, researchers, and book lovers worldwide. However, it is crucial to engage in ethical downloading practices and prioritize personal security when utilizing online platforms. By doing so, individuals can make the most of the vast array of free PDF resources available and embark on a journey of continuous learning and intellectual growth.

FAQs About Polo 6n Manual English Books

How do I know which eBook platform is the best for me? Finding the best eBook platform depends on your reading preferences and device compatibility. Research different platforms, read user reviews, and explore their features before making a choice. Are free eBooks of good quality? Yes, many reputable platforms offer high-quality free eBooks, including classics and public domain works. However, make sure to verify the source to ensure the eBook credibility. Can I read eBooks without an eReader? Absolutely! Most eBook platforms offer web-based readers or mobile apps that allow you to read eBooks on your computer, tablet, or smartphone. How do I avoid digital eye strain while reading eBooks? To prevent digital eye strain, take regular breaks, adjust the font size and background color, and ensure proper lighting while reading eBooks. What the advantage of interactive eBooks? Interactive eBooks incorporate multimedia elements, quizzes, and activities, enhancing the reader engagement and providing a more immersive learning experience. Polo 6n Manual English is one of the

best book in our library for free trial. We provide copy of Polo 6n Manual English in digital format, so the resources that you find are reliable. There are also many Ebooks of related with Polo 6n Manual English. Where to download Polo 6n Manual English online for free? Are you looking for Polo 6n Manual English PDF? This is definitely going to save you time and cash in something you should think about.

Find Polo 6n Manual English :

q see qsdtdp manual

~~pytel study guide materials~~

pythagorean theorem activity

pythagorean theorem bingo

question and answer bank niuniv

pygmaillon study guide answers

quad runner 500 manual

qashqai 2014 manual

python 140 installation guide

quel amour denfant roman jeunesse

quand le destin sen mecirle

qualcomm mcp100 manual

quadratic equations and inequalities key

quand lhomme civilise le temps

question de temps suivi de le chien de la lune

Polo 6n Manual English :

Jim Murray's Whisky Bible | Buy The Whiskey Bible & Whisky ... In 2003 Jim Murray trail-blazed again when he created, designed and wrote Jim Murray's Whisky Bible, the first ever annual guide to every new whisky produced in ... Jim Murray's Whisky Bible | Buy The Whiskey Bible & Whisky ... In 2003 Jim Murray trail-blazed again when he created, designed and wrote Jim Murray's Whisky Bible, the first ever annual guide to every new whisky produced in ... Sexism In Whisky: Why You Shouldn't Read The ... Sep 20, 2020 — The bestselling whisky book in the world, Jim Murray's Whisky Bible, has a serious sexism problem. Jim Murray (@jim_murray_whisky_bible) The World's Leading Whisky Guide #jimmurrayswhiskybible

#Jimmurray #whiskybible ... Fire Hazard!! Jim takes time out from signing Whisky Bible orders to celebrate ... Jim Murray's Whisky Bible Jim Murray's Whisky Bible. 15476 likes · 141 talking about this · 1 was here. The world's leading whisky guide from the world's foremost whisky authority. Jim Murray (whisky writer) Jim Murray's Whisky Bible is an ongoing project, with the first of the series having been published in 2003. It is a compact guide containing every whisky that ... Jim Murray, a Top Whiskey Critic, Faces Accusations of ... Oct 1, 2020 — Schrieberg on Sept 17. He had seen one of the reviews from the latest edition of the "Whisky Bible," in which Mr. Murray used overtly sexual ... Jim Murray's Whiskey Bible 2022: North American Edition The 4,700 whiskies included in this 2022 edition range from Scottish Single malts to Australian; from Canadian to Austrian. The whiskies from over 30 different ... Blended Whiskey - Jim Murray's Whisky Bible - Morton Williams New York fine wine and spirits. Independently owned and operated. OPEN 12/24 11am-6pm. CLOSED 12/25. 212-213-0021. At the Roots of Christian Bioethics: Critical Essays on ... At the Roots of Christian Bioethics explores Professor H. Tristram Engelhardt, Jr.'s pursuit for the decisive ground of the meaning of human existence and ... By Ana Smith Iltis At the Roots of Christian Bioethics ... At the Roots of Christian Bioethics explores Professor H. Tristram Engelhardt, Jr.'s pursuit for the decisive ground of the meaning of human existence and ... At the Roots of Christian Bioethics: Critical Essays on the ... by BA Lustig · 2011 · Cited by 4 — As a philosopher, Engelhardt has mustered a powerful critique of secular efforts to develop a shared substantive morality. As a religious ... Critical Essays on the Thought of H. Tristram Engelhardt, Jr ... by BA Lustig · 2011 · Cited by 4 — In this collection of essays, both defenders and critics of Engelhardt's religious bioethics have their say, and the spirited nature of their discussion attests ... At the Roots of Christian Bioethics At the Roots of Christian Bioethics: Critical Essays on the Thought of H. Tristram Engelhardt Jr., explores Professor H. Tristram Engelhardt's search for ... Ana Smith Iltis and Mark J. Cherry: At the Roots of Christian ... by R Vitz · 2011 — At the Roots of Christian Bioethics provides a series of critical reflections on the work of H. Tristram Engelhardt, Jr. by a number of ... At the Roots of Christian Bioethics: Critical Essays on ... Tristram Engelhardt, Jr.'s search for ultimate foundations - his pursuit for the decisive ground of the meaning of human existence and knowledge of appropriate ... Critical Essays on the Thought of H. Tristram Engelhardt, Jr by BA Lustig · 2011 · Cited by 4 — At the Roots of Christian Bioethics: Critical Essays on the Thought of H. Tristram Engelhardt, Jr · B. A. Lustig · Christian Bioethics 17 (3):315-327 (2011). Critical Essays on the Thought of H. Tristram Engelhardt, Jr ... Dec 31, 2009 — We have 2 copies of At the Roots of Christian Bioethics: Critical Essays on the Thought of H. Tristram... for sale starting from \$32.38. Rico Vitz, Ana Smith Iltis and Mark J. Cherry ... by R Vitz · 2011 — At the Roots of Christian Bioethics: Critical Essays on the Thought of H. Tristram Engelhardt, Jr.B. A. Lustig - 2011 - Christian Bioethics 17 (3):315-327. Action Has No Season: Strategies... by Roberts, J.D. ... This is a must read for leaders and entrepreneurs; an amazing book of proverbs for decision-making. Taking "action" is the central theme, but the book ... Action Has No Season 2.0: How the Actionaire Develops ... Dr. Roberts reveals how the Actionaire lays the foundation of their future vision by

setting goals, having the courage to take risks, and by showing others ... Action Has No Season by Michael V. Roberts J. D., ... This is a must read for leaders and entrepreneurs; an amazing book of proverbs for decision-making. Taking 'action' is the central theme, but the book. Action Has No Season 2.0 Oct 6, 2019 — Widely acclaimed as one of America's leading and most influential businessmen, Dr. Michael V. Roberts, Sr. returns with his innovative ... Action Has No Season - J. D. Michael V. Roberts This is a must read for leaders and entrepreneurs; an amazing book of proverbs for decision-making. Taking "action" is the central theme, ... Action Has No Season book by Michael V. Roberts Buy a cheap copy of Action Has No Season book by Michael V. Roberts. This is a must read for leaders and entrepreneurs; an amazing book of proverbs for ... Action Has No Season: Strategies and Secrets to Gaining ... This is a must read for leaders and entrepreneurs; an amazing book of proverbs for decision-making. Taking 'action' is the central theme, but the book. Action Has No Season 2.0: How the Actionaire Develops ... Oct 7, 2019 — With Action Has No Season 2.0, Dr. Roberts explains how to develop the infinite possibilities that define your personal life and business and ... Excerpt from “Action has no season” by Michael V. Roberts ... On the surface of the corporate world, everyone must peacefully, coexist with each other; therefore, everything must appear conventional, politically correct, ... Delores Talley Roberts - Action Has No Season Action Has No Season. 506 likes. Widely acclaimed as one of America's leading and most influential businessmen, Dr. Michael V. Robe.