

Operating your SAMSUNG Refrigerator

REMOVING THE REFRIGERATOR ACCESSORIES

1. Door Bins & Dairy Compartment

To remove - Simply lift the bin up and pull straight out.

To relocate - Slide it in above the desired location and push down until it stops.

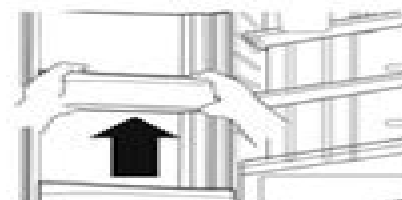


Injury may occur if the door bins are not firmly assembled. Do not allow children to play with bins. Sharp corners of the bins may cause injury.



Do not adjust a bin full of foods.

Dust removal method - Remove the guard and wash in water.



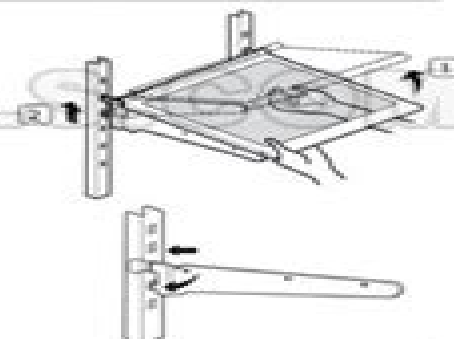
2. Tempered Glass shelves

To remove - Tilt up the front of the shelf in the direction shown (1) and lift it up vertically (2). Pull the shelf out.

To relocate - Tilt the front of the shelf up and guide the shelf hooks into the slots at a desired height. Then lower the front of the shelf so that the hooks can drop into the slots.



The Tempered Glass shelves are heavy. Use special care when removing them.



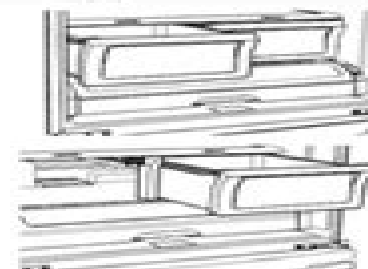
3. Vegetable & Fruit Drawers

To remove - Pull the drawer out to full extension. Tilt up the front of the drawer and pull straight out.

To relocate - Insert the drawer into the frame rails and push back into place.



The drawers need to be removed before the glass shelf above them can be lifted out. Do not open the drawers while the pantry is open. It may cause a scratch or breakage to the drawer covers.



Samsung Rf268ab Refrigerators Owners Manual

CH Cherryholmes



Samsung Rf268ab Refrigerators Owners Manual:

Discover tales of courage and bravery in Explore Bravery with is empowering ebook, Stories of Fearlessness: **Samsung Rf268ab Refrigerators Owners Manual** . In a downloadable PDF format (PDF Size: *), this collection inspires and motivates. Download now to witness the indomitable spirit of those who dared to be brave.

<https://crm.avenza.com/About/detail/fetch.php/Peugeot%20106%2096%20Parts%20Manual.pdf>

Table of Contents Samsung Rf268ab Refrigerators Owners Manual

1. Understanding the eBook Samsung Rf268ab Refrigerators Owners Manual
 - The Rise of Digital Reading Samsung Rf268ab Refrigerators Owners Manual
 - Advantages of eBooks Over Traditional Books
2. Identifying Samsung Rf268ab Refrigerators Owners Manual
 - Exploring Different Genres
 - Considering Fiction vs. Non-Fiction
 - Determining Your Reading Goals
3. Choosing the Right eBook Platform
 - Popular eBook Platforms
 - Features to Look for in an Samsung Rf268ab Refrigerators Owners Manual
 - User-Friendly Interface
4. Exploring eBook Recommendations from Samsung Rf268ab Refrigerators Owners Manual
 - Personalized Recommendations
 - Samsung Rf268ab Refrigerators Owners Manual User Reviews and Ratings
 - Samsung Rf268ab Refrigerators Owners Manual and Bestseller Lists
5. Accessing Samsung Rf268ab Refrigerators Owners Manual Free and Paid eBooks
 - Samsung Rf268ab Refrigerators Owners Manual Public Domain eBooks
 - Samsung Rf268ab Refrigerators Owners Manual eBook Subscription Services
 - Samsung Rf268ab Refrigerators Owners Manual Budget-Friendly Options
6. Navigating Samsung Rf268ab Refrigerators Owners Manual eBook Formats

- ePub, PDF, MOBI, and More
 - Samsung Rf268ab Refrigerators Owners Manual Compatibility with Devices
 - Samsung Rf268ab Refrigerators Owners Manual Enhanced eBook Features
7. Enhancing Your Reading Experience
 - Adjustable Fonts and Text Sizes of Samsung Rf268ab Refrigerators Owners Manual
 - Highlighting and Note-Taking Samsung Rf268ab Refrigerators Owners Manual
 - Interactive Elements Samsung Rf268ab Refrigerators Owners Manual
 8. Staying Engaged with Samsung Rf268ab Refrigerators Owners Manual
 - Joining Online Reading Communities
 - Participating in Virtual Book Clubs
 - Following Authors and Publishers Samsung Rf268ab Refrigerators Owners Manual
 9. Balancing eBooks and Physical Books Samsung Rf268ab Refrigerators Owners Manual
 - Benefits of a Digital Library
 - Creating a Diverse Reading Collection Samsung Rf268ab Refrigerators Owners Manual
 10. Overcoming Reading Challenges
 - Dealing with Digital Eye Strain
 - Minimizing Distractions
 - Managing Screen Time
 11. Cultivating a Reading Routine Samsung Rf268ab Refrigerators Owners Manual
 - Setting Reading Goals Samsung Rf268ab Refrigerators Owners Manual
 - Carving Out Dedicated Reading Time
 12. Sourcing Reliable Information of Samsung Rf268ab Refrigerators Owners Manual
 - Fact-Checking eBook Content of Samsung Rf268ab Refrigerators Owners Manual
 - Distinguishing Credible Sources
 13. Promoting Lifelong Learning
 - Utilizing eBooks for Skill Development
 - Exploring Educational eBooks
 14. Embracing eBook Trends
 - Integration of Multimedia Elements
 - Interactive and Gamified eBooks

Samsung Rf268ab Refrigerators Owners Manual Introduction

Samsung Rf268ab Refrigerators Owners Manual Offers over 60,000 free eBooks, including many classics that are in the public domain. Open Library: Provides access to over 1 million free eBooks, including classic literature and contemporary works. Samsung Rf268ab Refrigerators Owners Manual Offers a vast collection of books, some of which are available for free as PDF downloads, particularly older books in the public domain. Samsung Rf268ab Refrigerators Owners Manual : This website hosts a vast collection of scientific articles, books, and textbooks. While it operates in a legal gray area due to copyright issues, its a popular resource for finding various publications. Internet Archive for Samsung Rf268ab Refrigerators Owners Manual : Has an extensive collection of digital content, including books, articles, videos, and more. It has a massive library of free downloadable books. Free-eBooks Samsung Rf268ab Refrigerators Owners Manual Offers a diverse range of free eBooks across various genres. Samsung Rf268ab Refrigerators Owners Manual Focuses mainly on educational books, textbooks, and business books. It offers free PDF downloads for educational purposes. Samsung Rf268ab Refrigerators Owners Manual Provides a large selection of free eBooks in different genres, which are available for download in various formats, including PDF. Finding specific Samsung Rf268ab Refrigerators Owners Manual, especially related to Samsung Rf268ab Refrigerators Owners Manual, might be challenging as theyre often artistic creations rather than practical blueprints. However, you can explore the following steps to search for or create your own Online Searches: Look for websites, forums, or blogs dedicated to Samsung Rf268ab Refrigerators Owners Manual, Sometimes enthusiasts share their designs or concepts in PDF format. Books and Magazines Some Samsung Rf268ab Refrigerators Owners Manual books or magazines might include. Look for these in online stores or libraries. Remember that while Samsung Rf268ab Refrigerators Owners Manual, sharing copyrighted material without permission is not legal. Always ensure youre either creating your own or obtaining them from legitimate sources that allow sharing and downloading. Library Check if your local library offers eBook lending services. Many libraries have digital catalogs where you can borrow Samsung Rf268ab Refrigerators Owners Manual eBooks for free, including popular titles. Online Retailers: Websites like Amazon, Google Books, or Apple Books often sell eBooks. Sometimes, authors or publishers offer promotions or free periods for certain books. Authors Website Occasionally, authors provide excerpts or short stories for free on their websites. While this might not be the Samsung Rf268ab Refrigerators Owners Manual full book , it can give you a taste of the authors writing style. Subscription Services Platforms like Kindle Unlimited or Scribd offer subscription-based access to a wide range of Samsung Rf268ab Refrigerators Owners Manual eBooks, including some popular titles.

FAQs About Samsung Rf268ab Refrigerators Owners Manual Books

How do I know which eBook platform is the best for me? Finding the best eBook platform depends on your reading preferences and device compatibility. Research different platforms, read user reviews, and explore their features before making a choice. Are free eBooks of good quality? Yes, many reputable platforms offer high-quality free eBooks, including classics and public domain works. However, make sure to verify the source to ensure the eBook credibility. Can I read eBooks without an eReader? Absolutely! Most eBook platforms offer web-based readers or mobile apps that allow you to read eBooks on your computer, tablet, or smartphone. How do I avoid digital eye strain while reading eBooks? To prevent digital eye strain, take regular breaks, adjust the font size and background color, and ensure proper lighting while reading eBooks. What the advantage of interactive eBooks? Interactive eBooks incorporate multimedia elements, quizzes, and activities, enhancing the reader engagement and providing a more immersive learning experience. Samsung Rf268ab Refrigerators Owners Manual is one of the best book in our library for free trial. We provide copy of Samsung Rf268ab Refrigerators Owners Manual in digital format, so the resources that you find are reliable. There are also many Ebooks of related with Samsung Rf268ab Refrigerators Owners Manual. Where to download Samsung Rf268ab Refrigerators Owners Manual online for free? Are you looking for Samsung Rf268ab Refrigerators Owners Manual PDF? This is definitely going to save you time and cash in something you should think about.

Find Samsung Rf268ab Refrigerators Owners Manual :

peugeot 106 96 parts manual

[peugeot 307 engine layout](#)

petites et grandes filles

[personification in a prayer for all my countrymen](#)

[peugeot 308 2008 owners manual](#)

[peter sanhedrin craft](#)

[peugeot 107 owners workshop manual](#)

[persuasive writing rubric grade 4](#)

[persuasive essays on capital punishment](#)

[petit guide de survie des eacutetudiants](#)

peugeot 207 owners workshop manual

persuasive essay introduction and thesis organizer

[pes 3d wap trick](#)

[peugeot 307 rt3 manual](#)

[petite princesse et le mystegravere du sourire](#)

Samsung Rf268ab Refrigerators Owners Manual :

apol104 quiz 5 answers liberty seetutorials google - Jan 09 2023

web search this site home hello sitemap home

apol 104 quiz 5 complete solution correct answers key - Nov 07 2022

web liberty university apol 104 quiz 5 complete solution correct answers key some religions may use of the word grace but it is redefined to include human effort the path to enlightenment is called the middle way because it avoids

[4 sınıf sosyal atatürk ve milli mücadele dönemi sorular ve cevaplar](#) - Jun 02 2022

web sınıf sosyal atatürk ve milli mücadele dönemi sorular ve cevaplar dosyası 4 sınıf kültür ve miras bölümünde

bulunmaktadır 4 sınıf sosyal atatürk ve milli mücadele dönemi sorular ve cevaplar eğitimhane 4 sınıf sosyal atatürk ve milli mücadele dönemi sorular ve cevaplar indir bölüm 4 sınıf kültür ve miras

apol 104 quiz 5 app oaklandlibrary org - Dec 28 2021

web apol 104 quiz 5 5 5 offers a presentation of christian apologetic literature from the second century to the fifth century taking each writer within the intellectual context of the day the book argues that most apologies were not directed at a pagan readership in most cases ancient apologetics had a double object to

apol 104 quiz 5 answers liberty homeworkmade com - Mar 11 2023

web apol 104 quiz 5 answers liberty apol 104 quiz 6 answers liberty apol 104 quiz 7 answers liberty apol 104 quiz 8 answers liberty apol 104 worldview assignment liberty bibl 104 quiz 1 answers liberty bibl 104 quiz 2 answers liberty bibl 104 quiz 3 answers liberty

apol 104 world view assignment liberty university course - Apr 12 2023

web access study documents get answers to your study questions and connect with real tutors for apol 104 world view assignment at liberty university

apol 104 flashcards quizlet - Aug 16 2023

web start studying apol 104 learn vocabulary terms and more with flashcards games and other study tools

açık lise kimya 4 Çıkmış sorular testi Çöz açık Öğretim tv - Dec 08 2022

web kimya 4 Çıkmış sorular açık Öğretim fakültesi kimya 4 çıkmış sınav sorularını test haline getirdik kimya 4 vize ve final sınavlarından oluşan testleri online olarak çözebilirsiniz Çözmek istediğiniz testin dönemini aşağıdaki listeden seçmeyi

unutmayın

4 sınıf türkçe millî mücadele ve atatürk konu testi testimiz com - Mar 31 2022

web 4 sınıf millî mücadele ve atatürk testimiz soru 1 atatürk ün özel kütüphanesindeki kitaplarının sayısı 4289 dur süreli yayınlar dışında bunların değişik bilim dallarındaki dağılımı da onun geniş bir yelpazede bilgi edinmek ve sürekli yenilenmek istediğini göstermektedir atatürk ün kütüphanesinde 194

[apol 104 quiz 5 answers liberty assignmentdownload](#) - Jul 03 2022

web apol 104 quiz 5 answers liberty

apol 104 quiz 5 app oaklandlibrary org - May 01 2022

web apol 104 quiz 5 downloaded from app oaklandlibrary org by guest gael strickland apostle grove atlantic inc this work on apologetics examines the classical arguments for the existence of god ontological and thomistic arguments discusses the philosophical issues that confront contemporary apologetics

apol 104 quiz 5 vdocuments mx - Feb 10 2023

web jun 27 2015 apol 104 quiz 5 download answers here homeworkfox com tutorials general questions 5611 apol 104 quiz 5 question 1 3 out of 3 points siddhartha gautama was born into question 2 3 out of 3 points the eightfold path consists of eight steps points which are to be achieved in a sequential one after the

apol 104 quiz 5 100 correct answers vdocuments mx - Jun 14 2023

web apr 14 2016 get now apol 104 quiz 5 100 correctanswers link to apol 104 quiz 5 100 correct answers

apol 104 quiz 3 100 correct answers video dailymotion - Feb 27 2022

web jan 15 2015 to download more course tutorials visit homework tutorials com product apol 104 quiz 3 100 correct answers 1 a salvation term which means to be set apart from this world and unto 2 according to secularism god did not make man in his image instead man made god in his image 3

apol 104 quiz 5 full pdf analytics test makestories io - Jan 29 2022

web apol 104 quiz 5 this is likewise one of the factors by obtaining the soft documents of this apol 104 quiz 5 by online you might not require more period to spend to go to the book start as without difficulty as search for them in some cases you likewise reach not discover the message apol 104 quiz 5 that you are looking

apol 104 test 5 homework simple - Sep 05 2022

web apol 104 test 5 liberty university answers updated 2017 the path to enlightenment is called the middle way because it avoids the extremes of affluence and asceticism

[apol 104 quiz 5 418 words studymode](#) - May 13 2023

web apol 104 quiz 5 the eightfold path consists of eight steps points which are to be achieved in a sequential one after the

other manner since the fall of humanity genesis chapter 3 mankind has sought to declare independence from god

apol 104 flashcards and study sets quizlet - Jul 15 2023

web learn apol 104 with free interactive flashcards choose from 4 different sets of apol 104 flashcards on quizlet

apol 104 quiz 5 answers use as a guide only coursemerits - Oct 06 2022

web apol 104 quiz 5 1 the hindu heaven is a physical placed called nirvana 2 since the fall of humanity genesis chapter 3 mankind has sought to declare independence from god 3 the founder of buddhism siddhartha gautama was a poor peasant boy who was disturbed by the plight of the poor and the apathy of the wealthy 4

aol açık Öğretim lisesi 244 ingilizce 5 2 dnm online soru - Aug 04 2022

web diyanet İşleri başkanlığı diğer soruları için tıklayınız aol açık Öğretim lisesi 244 ingilizce 5 2 dnm hatalı olduğunu düşündüğünüz soruyu test ve soru numarası ile birlikte iletişim linkinden soru numarası ile bildiriniz dhbt sinavi yaklaşıyor

veterinary surgery small animal expert consult 2 volume set - Aug 11 2022

dec 26 2013 karen m tobias spencer a johnston elsevier health sciences dec 26 2013 medical 2352 pages with detailed coverage of surgical procedures veterinary surgery

veterinary surgery small animal expert consult open library - Jun 09 2022

kedi ve köpekler başta olmak üzere evcil dostlarımız için yapılan genel muayene ve tanı öncesi özel muayene prosedürlerini içerisine almaktadır genel muayene 125 tl kontrol muayenesi

veterinary surgery small animal expert consult - May 20 2023

jun 29 2017 focus on the how and why of medical surgical conditions the critical issues that lead to successful outcomes for your patients with veterinary surgery small animal

İstanbul veteriner Ücretleri ve fiyat listesi vetbilgi - Mar 06 2022

focus on the how and why of medical surgical conditions the critical issues that lead to successful outcomes for your patients with veterinary surgery small animal second

veterinary surgery an overview sciencedirect topics - Apr 07 2022

İçeri girer girmez güler yüzlü deneyimli işinde uzman kişilerle karşılaşıyorsunuz dostlarımıza davranışları çok nazik ve içten kesinlikle on numara beş yıldız bir yer İnterpet veteriner

veterinary surgery small animal expert consult 2nd edition - Jul 10 2022

veterinary surgery small animal expert consult 2 volume set 2nd ed from saunders comprehensive veterinary dictionary fifth edition 2021 view all topics add to mendeley

veterinary surgery small animal expert consult - Jan 16 2023

this two volume full color resource offers an authoritative comprehensive review of disease processes a thorough evaluation

of basic clinical science information and in depth discussion

[veterinary surgery small animal expert consult amazon com](#) - Sep 12 2022

aug 5 2020 veterinary surgery small animal expert consult 2 volume set by spencer a johnston and karen m tobias 0 ratings

0 want to read 1 currently reading 0 have read

[veterinary surgery small animal expert consult 2nd edition](#) - Sep 24 2023

dec 27 2016 veterinary surgery small animal expert consult 2nd edition 2 volume set 2nd edition december 27 2016 authors spencer a johnston karen m tobias hardback

pet scan in istanbul turkey health tourism com - Feb 05 2022

90 days 77 00 180 days 88 00 2 years 165 00 lifetime 223 99 expires on jan 22 2024 savings 203 99 77 00 usd add to cart purchase in bulk or as gift planet smart

veterinary surgery small animal expert consult edition 2 by - Aug 23 2023

veterinary surgery small animal expert consult edition 2 2 volume set by spencer a johnston vmd dacvs and karen m tobias dvm ms dacvs publication date 29 jun

veterinary surgery small animal expert consult e book - Jun 21 2023

veterinary surgery small animal expert consult 2nd edition 2 volume set authors spencer a johnston karen m tobias date of publication 08 2017 focus on the how

veterinary surgery small animal e book 2 volume set - May 08 2022

private healthcare group istanbul bursa turkey turan turan health group one of the leading orthopedics and traumatology centers in turkey where orthopedists and physical

veterinary surgery small animal expert consult 2nd edition - Nov 02 2021

veterinary surgery small animal expert consult 2nd edition - Feb 17 2023

veterinary surgery small animal expert consult 2 volume set johnston vmd dacvs spencer a tobias dvm ms dacvs karen m amazon com au books books medicine

veterinary surgery small animal expert consult 2nd edition - Apr 19 2023

focus on the how and why of medical surgical conditions the critical issues that lead to successful outcomes for your patients with veterinary surgery small animal second

veterinary surgery small animal expert consult e book - Dec 15 2022

jul 13 2017 veterinary surgery small animal expert consult 2nd edition by spencer a johnston vmd dacvs author karen m tobias dvm ms dacvs author 4 5 4 5 out of 5

veterinary surgery small animal expert consult hardcover - Oct 13 2022

2018 77 00 usd 9780323320658r90 rent or buy etextbook 90 days 77 00 180 days 88 00 2 years 165 00 lifetime 219 99 expires on sep 16 2023 savings 198 00

veterinary surgery small animal expert consult 2 volume set - Nov 14 2022

15 837 00 free delivery details sold by aarts enterprises see this image veterinary surgery small animal expert consult 2 volume set hardcover 9 august 2017 by

Interpet veteriner yenimahalle veteriner kliniği - Jan 04 2022

veterinary surgery small animal expert consult 2nd edition - Mar 18 2023

availability this title is in stock view all titles in small animal description focus on the how and why of medical surgical conditions the critical issues that lead to successful

veterinary surgery small animal expert consult 2nd - Jul 22 2023

jun 14 2017 spencer a johnston karen m tobias elsevier health sciences jun 14 2017 medical 2600 pages focus on the how and why of medical surgical conditions the

veterinary surgery small animal expert consult edition 2 by - Dec 03 2021

roombas at the end of the world ieee spectrum - Apr 21 2022

web oct 26 2023 amundsen scott south pole station is a permanent scientific research base located at what is arguably the most isolated place on earth during the austral summer the station is home to about

definition of earth station it glossary gartner - Apr 02 2023

web an earth station is a collection of equipment installed on the earth s surface that enables communications over one or more satellites earth stations consist of a reflector antenna or parabolic dish a feed system to send and receive the rf carrier data handling equipment and mechanical tracking equipment to keep the satellite within the

block diagram of earth station online tutorials library - Jun 23 2022

web earth segment subsystems earth segment subsystems the earth segment of satellite communication system mainly consists of two earth stations those are transmitting earth station and receiving earth station the transmitting earth station transmits the information signals to satellite

earth station technology brainkart - Sep 26 2022

web earth station technology the earth segment of a satellite communications system consists of the transmit and receive earth stations the simplest of these are the home tv receive only tvro systems and the most complex are the terminal stations

used for international communications networks

category earth stations in turkey wikipedia - Dec 30 2022

web pages in category earth stations in turkey this category contains only the following page this list may not reflect recent changes g gölbaşı ground station this page was last edited on 14 november 2018 at 11 01 utc text is available under the creative commons attribution

satellite earth station nedir ne demek - May 23 2022

web satellite earth station ne demek uydu yer istasyonu uydu yer istasyonu uydu bir gezegenin çekiminde bulunarak onun çevresinde dolanan daha küçük gezegen peyk türlü amaçlarla yerden fırlatılan ve genellikle kapalı bir yörünge çizerek yer *earth station an overview sciencedirect topics* - Aug 26 2022

web the earth station electronics and antenna that transmit information to a communication satellite for relay back to the ground from modern dictionary of electronics seventh edition 1999 add to mendeley about this page antennas a d olver professor bsc phd ceng fiee fieee in telecommunications engineer s reference book 1993

tracking system earth station technology youtube - Mar 21 2022

web may 24 2022 trackingsystem earthstationtechnology earthstationtrackingsystemplease like share subscribe block diagram of earth stationgps position location princi

a straightforward introduction to satellite communications - Jun 04 2023

web ground stations tend to be in fixed points on the planet however in recent years technological innovations for earth stations have optimised signal strengths and the capacity of data that can be transferred making it easier to receive and transmit a signal whilst moving such as inflight wi fi 5g networks satellite news gathering and other

earth station technology pdf orbital inclination scribd - Oct 28 2022

web earth station technology pdf orbital inclination communications satellite the concept of a global telecommunications system using satellites was put forward first in an article for the british magazine wireless world in may 1945 by the science fiction author arthur c clarke

3 astronauts return to earth after 6 month stay on china s space station - Nov 28 2022

web oct 31 2023 updated 8 36 pm pst october 30 2023 taipei taiwan ap three chinese astronauts returned to earth on tuesday morning after six months aboard china s orbiting space station jing haipeng zhu yangzhu and gui haichao emerged in good health from the return capsule near the jiuquan satellite launch center on the edge of

earth station satellite technology wiley online library - Sep 07 2023

web apr 4 2014 summary this chapter comprehensively covers different subsystems that make up a typical satellite earth station and the key factors governing its design it discusses different types of earth stations along with their architecture and

different subsystems constituting an earth station

earth station satellite technology wiley online library - Jul 05 2023

web sep 4 2010 summary three essential elements of any satellite communication network or system include the earth segment the space segment and the up down link between the space segment and the earth segment this chapter comprehensively covers different subsystems that make up a typical satellite earth station and the key factors governing *turkey accelerates space program by building new satellites* - Aug 06 2023

web the national earth station of which the project started in 2015 is targeted to conduct the rasat gokturk 2 and imece which is under construction and future observation satellites space water on the moon may be forming due to electrons from earth - Jan 31 2023

web nov 09 2023 scientists have discovered that electrons from earth may be contributing to the formation of water on the moon s surface the research published in nature astronomy has the potential to impact our understanding of how water a critical resource for life and sustained future human missions to earth s moon formed and

earth station wiley telecom books ieee xplore - May 03 2023

web earth station testing involves component or unit level followed up by subsystem level testing most earth station hardware can be categorized into one of the three groups namely rf equipment if and baseband equipment and terrestrial interface equipment the tasks performed by the earth station s satellite tracking system include i satellite

earth stations how it works application advantages - Oct 08 2023

web oct 26 2023 an earth station also known as a ground station is a crucial part of the global telecommunications network essentially it s a terrestrial radio station designed for extraplanetary communication with spacecraft or receiving and transmitting signals from a satellite orbiting the earth

earth station technology in satellite communication youtube - Feb 17 2022

web earthstation satellitecommunication earthstationtechnologyplease like share subscribe earth station technology in satellite communicationearth station

starlab space station to boost european space agency - Mar 01 2023

web establishment of a complete end to end ecosystem comprising the starlab space station as a low earth orbit destination and a potential esa developed european transportation system cargo and crew leveraging standardised interfaces in the interest of an open access policy this agreement reflects esa s ambition to enable a smooth

unit vi earth station technology kdkce edu in - Jul 25 2022

web earth station technology introduction earth stations are a vital element in any satellite communication network the function of an earth station from and transmit information to the satellite network in the most cost efficient and reliable

manner while retaining the desired signal quality