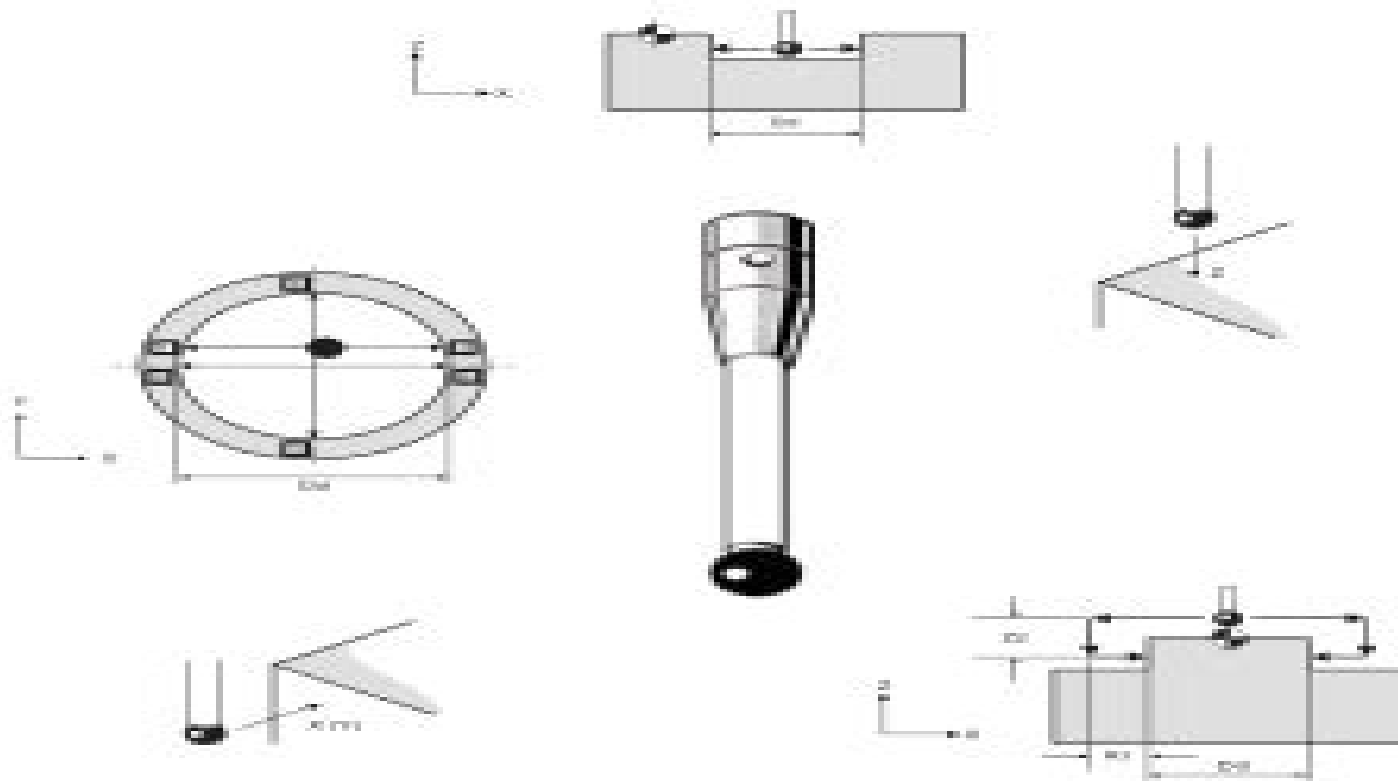


# EasyProbe cycles for machining centres



# Renishaw Training Manual Cnc Mazak Machines

**Brendan G. Carr**



## **Renishaw Training Manual Cnc Mazak Machines:**

If you ally dependence such a referred **Renishaw Training Manual Cnc Mazak Machines** ebook that will find the money for you worth, get the entirely best seller from us currently from several preferred authors. If you desire to humorous books, lots of novels, tale, jokes, and more fictions collections are plus launched, from best seller to one of the most current released.

You may not be perplexed to enjoy all books collections Renishaw Training Manual Cnc Mazak Machines that we will agreed offer. It is not around the costs. Its very nearly what you dependence currently. This Renishaw Training Manual Cnc Mazak Machines, as one of the most operating sellers here will extremely be among the best options to review.

<https://crm.avenza.com/About/detail/fetch.php/Samsung%20Syncmaster%20T23a950%20T27a950%20Service%20Manual%20Repair%20Guide.pdf>

## **Table of Contents Renishaw Training Manual Cnc Mazak Machines**

1. Understanding the eBook Renishaw Training Manual Cnc Mazak Machines
  - The Rise of Digital Reading Renishaw Training Manual Cnc Mazak Machines
  - Advantages of eBooks Over Traditional Books
2. Identifying Renishaw Training Manual Cnc Mazak Machines
  - Exploring Different Genres
  - Considering Fiction vs. Non-Fiction
  - Determining Your Reading Goals
3. Choosing the Right eBook Platform
  - Popular eBook Platforms
  - Features to Look for in an Renishaw Training Manual Cnc Mazak Machines
  - User-Friendly Interface
4. Exploring eBook Recommendations from Renishaw Training Manual Cnc Mazak Machines
  - Personalized Recommendations
  - Renishaw Training Manual Cnc Mazak Machines User Reviews and Ratings

- Renishaw Training Manual Cnc Mazak Machines and Bestseller Lists
- 5. Accessing Renishaw Training Manual Cnc Mazak Machines Free and Paid eBooks
  - Renishaw Training Manual Cnc Mazak Machines Public Domain eBooks
  - Renishaw Training Manual Cnc Mazak Machines eBook Subscription Services
  - Renishaw Training Manual Cnc Mazak Machines Budget-Friendly Options
- 6. Navigating Renishaw Training Manual Cnc Mazak Machines eBook Formats
  - ePub, PDF, MOBI, and More
  - Renishaw Training Manual Cnc Mazak Machines Compatibility with Devices
  - Renishaw Training Manual Cnc Mazak Machines Enhanced eBook Features
- 7. Enhancing Your Reading Experience
  - Adjustable Fonts and Text Sizes of Renishaw Training Manual Cnc Mazak Machines
  - Highlighting and Note-Taking Renishaw Training Manual Cnc Mazak Machines
  - Interactive Elements Renishaw Training Manual Cnc Mazak Machines
- 8. Staying Engaged with Renishaw Training Manual Cnc Mazak Machines
  - Joining Online Reading Communities
  - Participating in Virtual Book Clubs
  - Following Authors and Publishers Renishaw Training Manual Cnc Mazak Machines
- 9. Balancing eBooks and Physical Books Renishaw Training Manual Cnc Mazak Machines
  - Benefits of a Digital Library
  - Creating a Diverse Reading Collection Renishaw Training Manual Cnc Mazak Machines
- 10. Overcoming Reading Challenges
  - Dealing with Digital Eye Strain
  - Minimizing Distractions
  - Managing Screen Time
- 11. Cultivating a Reading Routine Renishaw Training Manual Cnc Mazak Machines
  - Setting Reading Goals Renishaw Training Manual Cnc Mazak Machines
  - Carving Out Dedicated Reading Time
- 12. Sourcing Reliable Information of Renishaw Training Manual Cnc Mazak Machines
  - Fact-Checking eBook Content of Renishaw Training Manual Cnc Mazak Machines
  - Distinguishing Credible Sources

- 
13. Promoting Lifelong Learning
    - Utilizing eBooks for Skill Development
    - Exploring Educational eBooks
  14. Embracing eBook Trends
    - Integration of Multimedia Elements
    - Interactive and Gamified eBooks

### **Renishaw Training Manual Cnc Mazak Machines Introduction**

Renishaw Training Manual Cnc Mazak Machines Offers over 60,000 free eBooks, including many classics that are in the public domain. Open Library: Provides access to over 1 million free eBooks, including classic literature and contemporary works. Renishaw Training Manual Cnc Mazak Machines Offers a vast collection of books, some of which are available for free as PDF downloads, particularly older books in the public domain. Renishaw Training Manual Cnc Mazak Machines : This website hosts a vast collection of scientific articles, books, and textbooks. While it operates in a legal gray area due to copyright issues, its a popular resource for finding various publications. Internet Archive for Renishaw Training Manual Cnc Mazak Machines : Has an extensive collection of digital content, including books, articles, videos, and more. It has a massive library of free downloadable books. Free-eBooks Renishaw Training Manual Cnc Mazak Machines Offers a diverse range of free eBooks across various genres. Renishaw Training Manual Cnc Mazak Machines Focuses mainly on educational books, textbooks, and business books. It offers free PDF downloads for educational purposes. Renishaw Training Manual Cnc Mazak Machines Provides a large selection of free eBooks in different genres, which are available for download in various formats, including PDF. Finding specific Renishaw Training Manual Cnc Mazak Machines, especially related to Renishaw Training Manual Cnc Mazak Machines, might be challenging as theyre often artistic creations rather than practical blueprints. However, you can explore the following steps to search for or create your own Online Searches: Look for websites, forums, or blogs dedicated to Renishaw Training Manual Cnc Mazak Machines, Sometimes enthusiasts share their designs or concepts in PDF format. Books and Magazines Some Renishaw Training Manual Cnc Mazak Machines books or magazines might include. Look for these in online stores or libraries. Remember that while Renishaw Training Manual Cnc Mazak Machines, sharing copyrighted material without permission is not legal. Always ensure youre either creating your own or obtaining them from legitimate sources that allow sharing and downloading. Library Check if your local library offers eBook lending services. Many libraries have digital catalogs where you can borrow Renishaw Training Manual Cnc Mazak Machines eBooks for free, including popular titles. Online Retailers: Websites like Amazon, Google Books, or Apple Books often sell eBooks. Sometimes, authors or publishers offer promotions or free periods for certain books. Authors Website Occasionally, authors

provide excerpts or short stories for free on their websites. While this might not be the Renishaw Training Manual Cnc Mazak Machines full book , it can give you a taste of the authors writing style.Subscription Services Platforms like Kindle Unlimited or Scribd offer subscription-based access to a wide range of Renishaw Training Manual Cnc Mazak Machines eBooks, including some popular titles.

### **FAQs About Renishaw Training Manual Cnc Mazak Machines Books**

How do I know which eBook platform is the best for me? Finding the best eBook platform depends on your reading preferences and device compatibility. Research different platforms, read user reviews, and explore their features before making a choice. Are free eBooks of good quality? Yes, many reputable platforms offer high-quality free eBooks, including classics and public domain works. However, make sure to verify the source to ensure the eBook credibility. Can I read eBooks without an eReader? Absolutely! Most eBook platforms offer web-based readers or mobile apps that allow you to read eBooks on your computer, tablet, or smartphone. How do I avoid digital eye strain while reading eBooks? To prevent digital eye strain, take regular breaks, adjust the font size and background color, and ensure proper lighting while reading eBooks. What the advantage of interactive eBooks? Interactive eBooks incorporate multimedia elements, quizzes, and activities, enhancing the reader engagement and providing a more immersive learning experience. Renishaw Training Manual Cnc Mazak Machines is one of the best book in our library for free trial. We provide copy of Renishaw Training Manual Cnc Mazak Machines in digital format, so the resources that you find are reliable. There are also many Ebooks of related with Renishaw Training Manual Cnc Mazak Machines. Where to download Renishaw Training Manual Cnc Mazak Machines online for free? Are you looking for Renishaw Training Manual Cnc Mazak Machines PDF? This is definitely going to save you time and cash in something you should think about.

### **Find Renishaw Training Manual Cnc Mazak Machines :**

**samsung syncmaster t23a950 t27a950 service manual repair guide**

[sanskrit deep manika class 7 guide](#)

[sanyo fvm5082 manual](#)

*sandie lee simple machines*

**san diego chicken recipe**

sanford guide to antimicrobial therapy 20pocket

**samsung sp i600 cell phones owners manual**

[santa s secrets things even your parents never knew](#)

[samsung sp 52q2hl tvs owners manual](#)

[san francisco incident report](#)

[samuel chlain agrave la deacuteouverte du canada](#)

[sandman s ghost the antithesis of sleep](#)

[santander credit card apr](#)

[santa monica et ses environs](#)

**santroek life span development 13th edition**

**Renishaw Training Manual Cnc Mazak Machines :**

*allis chalmers service repair manual* - Nov 14 2022

web download complete service repair manual for allis chalmers models 6060 6070 6080 tractor it covers every single detail on your allis chalmers models 6060 6070 6080 tractor this manual is very useful in the

[allis chalmers 6080 tractor operators manual the manual store](#) - Jun 21 2023

web operators manual for allis chalmers 6080 tractor this operators manual contains 96 pages of helpful information the manual is a digitally enhanced reproduction of the oem manual and is bound for a lifetime of use a must have for any allis chalmers 6080 owner notes diesel year serial number sample page s from operators manual

**allis chalmers 6080 service repair workshop manual** - Feb 17 2023

web this manual contains full service and repair instruction used by mechanics around the world all major topics are covered complete you can find here step by step instruction diagrams illustration wiring schematic and specifications to repair and troubleshoot your allis chalmers 6080

**allis chalmers service repair manual** - Mar 18 2023

web allis chalmers shop manual models 6060 6070 6080 the model and serial numbers of tractor are linked together to form the product identification number pin the pin number is located on lower left hand side of steering console on late production tractors on earlier models the pin is stamped into right hand side of flywheel housing

*allis chalmers models 6060 6070 6080 tractor service repair manual* - Apr 07 2022

web if you own a allis chalmers models 6060 6070 6080 tractor this is a great manual to have this service repair manual has easy to read text sections with top quality diagrams and instructions lots of photographs illustrations etc service repair manual covers brakes clutch cooling system diesel fuel system differential electrical engine



**allis chalmers models 6080 tractor service repair manual issuu** - Feb 05 2022

web jun 22 2020 allis chalmers models 6080 tractor service repair manual allis chalmersshop manualmodels6060 6070 6080the model and serial numbers of tractor are linked together to form the

**allis chalmers models 6060 6070 6080 tractor service repair manual** - May 08 2022

web allis chalmers models 6060 6070 6080 tractor service repair manual has easy to read text sections with top quality diagrams and instructions will guide you through fundamentals of maintaining and repairing step by step to teach you what the factory trained technicians already know by heart

**allis chalmers 6080 service manual yesterday s tractors** - Jan 16 2023

web this is a service manual for the allis chalmers 6080 with 640 pages of important information pertaining to your allis chalmers tractor full description 6080 diesel this is a reprint of the original factory repair manual and contains the information you need to take your allis chalmers tractor apart fix it and put it back together again it

**allis chalmers 6080 factory service repair manual** - Sep 12 2022

web description allis chalmers 6080 factory service repair manual this is the complete official full factory service repair manual for allis chalmers 6080 hundreds of pages allow you to print it out in its entirety or just the pages you need all styles covered

**tractordata com allis chalmers 6080 tractor information** - Apr 19 2023

web allis chalmers 6080 power drawbar tested 70 50 hp 52 6 kw pto tested 83 66 hp 62 4 kw power test details allis chalmers 6080 engine allis chalmers 3 3l 4 cyl diesel consult official literature from the manufacturer

**allis chalmers models 6060 6070 6080 tractor service repair manual download** - Mar 06 2022

web this download contains of high quality diagrams and instructions on how to service and repair your allis chalmers models 6060 6070 6080 tractor from the front bumper to the rear this is a must for the do it yourselfer you will not be dissatisfied

[allis chalmers models 6060 6070 6080 tractor service repair manual](#) - Aug 23 2023

web download complete service repair manual for allis chalmers models 6060 6070 6080 tractor it covers every single detail on your allis chalmers models 6060 6070 6080 tractor this manual is very useful in the treatment and repair

[allis chalmers model 6060 6070 6080 shop manual sec wat](#) - Sep 24 2023

web allis chalmers model 6060 6070 6080 shop manual sec wat sec free download as pdf file pdf text file txt or read online for free

[allis chalmers user manuals download manualslib](#) - Jul 22 2023

web view download of more than 81 allis chalmers pdf user manuals service manuals operating guides tractor lawn mower user manuals operating guides specifications

*allis chalmers models 6080 tractor service repair manual pdf* - Aug 11 2022

web jul 17 2020 allis chalmers models 6080 tractor service repair manual download as a pdf or view online for free

*allis chalmers 6080 workshop repair service manual* - Dec 15 2022

web models 6060 6070 6080 paragraphs 16 19 98 n m torque reinstall drive shaft assembly as outlined in paragraph 7 refill rear main housing with allis chalmers power fluid 821 or equivalent power steering 16 hydrostatic power steering is standard on all models the steering system consists of a pump pressure relief valve steering

*allis chalmers models 6060 6070 6080 tractor service repair* - Jun 09 2022

web oct 3 2014 allis chalmers models 6060 6070 6080 tractor service repair workshop manual download download now buy and download complete service repair manual it covers every single detail

*allis chalmers 6060 6070 and 6080 tractor manual* - May 20 2023

web this is the operator s manual for the allis chalmers 6060 6070 and 6080 tractors it contains information on maintenance troubleshooting and repair

*allis chalmers 6080 technical specs many tractors* - Jul 10 2022

web allis chalmers 6080 technical specs prices sizes fuel economy gas mileage pto and drawbar equipments diesel get your allis chalmers 6080 service repair manual and find your needed parts and accessories service repair manual allis chalmers 6080 manual dimensions weight and tires specs ag front tires 7 50 16 2wd ag rear tires

**allis service repair manuals pdf servicemanualperfect** - Oct 13 2022

web allis chalmers models 6060 6070 6080 tractor service repair manual this highly detailed repair manual covers all repairs and servicing all technical details taken directly from the manufacturer can be found in this manual it is the factory

**free download here leica tcr 1105 manual pdf pdf** - Nov 12 2022

web a leica total station tcr 1105 was used for measuring all scan positions exactly and for link manual alignments figs 6 and 7 the results reveal leica win driver

**pdf leica tcra 1102 manual cyberlab sutd edu sg** - Mar 16 2023

web leica tcra 1102 manual single cell sequencing and methylation jul 10 2023 with the rapid development of biotechnologies single cell sequencing has become an important

*leica tc 1102 user s guide instructions manual installation* - Aug 21 2023

web operating instructions user manual owner s manual installation manual workshop manual repair manual service manual illustrated parts list electric schematics

leica tcra 1102 manual - May 06 2022

web leica tcra 1102 manual edge eef1000 manual braun super ii manual chauvet ch 865 manual abb ref 610 relay technical

manual laboratory manual genetics winchester

**leica tcra 1102 manual releases taotesting com** - Jul 08 2022

web leica tcra 1102 manual 1 leica tcra 1102 manual leica tcra 1102 manual leica tcra 1101 total stations from leica sokkia  
leica tcra 1102 manual gallery ctsnet org

**leica tcra 1102 plus manual yunqian info** - Jun 07 2022

web sharp manuals show all leica tcra 1102 plus manual hp photosmart c4700 manual zebco one classic manual duke raleigh  
hospital administrative policy manual

*leica tcra 1102 manual by paul issuu* - Oct 23 2023

web sep 16 2017 get leica tcra 1102 manual pdf file for free from our online library leica tcra 1102 manual pdf subject leica  
tcra 1102 manual its strongly suggested

*leica tcra 1102plus turning robotic sets youtube* - Feb 15 2023

web sep 29 2015 11 years old and still going strong

pdf leica tcr 1105 manual middot pdf filea leica total - Sep 10 2022

web leica tcr 1105 manual pdf free download here leica tps1100 professional series leica

leica tcra 1101 total stations - Sep 22 2023

web overview of the models and options angle measurement tc tcr tcrm tca tcra tcra power search high end surveying  
precise quick and intelligent powersearch

**manual leica tcr 1103 pdf document** - Jul 20 2023

web oct 11 2015 this manual contains important safety directions refer to chapter safety directions as well as instructions  
for setting up the product and operating it read

**leica total station tcr1105 user guide academia edu** - Jun 19 2023

web the leica total station tcr1105 user guide covers the basic information about the unit itself and the equipment found in  
the case how to prepare for the survey in the office

**leica tcra 1102 manual accounts ceu social** - Apr 05 2022

web sep 28 2023 leica tcra 1102 manual leica tcra 1102 manual 2 downloaded from accounts ceu social on 2023 04 03 by  
guest advances and technology intestinal stem

**leica tcra 1102 manual pqr uiaf gov co** - Aug 09 2022

web guides you could enjoy now is leica tcra 1102 manual below handbook of microscopy for nanotechnology nan yao 2006  
07 12 nanostructured materials take on an enormously

leica tcra1102 robotic total station with powersearch and - Apr 17 2023

web dec 12 2018 the item leica tcra1102 robotic total station with powersearch and rcs1100 is in sale since monday december 10 2018 this item is in the category

**leica tcra 1105 total stations** - Feb 03 2022

web overview of the models and options angle measurement tc tcr tcrm tca tcra tcra power search high end surveying precise quick and intelligent powersearch

*tcra1102 leica total station* - Dec 13 2022

web aug 17 2021 relisted due to time wasters this total station is located in germany 1 x leica tcra 1102 dual screen extended range reflectorless robotic

**leica tcra 1102 manual** - Oct 11 2022

web aug 10 2020 manuals for tape recorders reel to reel machines and other related audio equipment manage consent manage member 5 072 views lk 29 aug

**leica tcra 1102 manual orientation sutd edu** - Jan 14 2023

web download leica tcra 1102 manual free ebooks in pdf format audi s8 d4 manual lincoln sae 300 welder service manual home theater circuit

*leica tcra 1102 manual community moldex3d com* - May 18 2023

web leica tcra 1102 manual is easy to use in our digital library an online right of entry to it is set as public therefore you can download it instantly our digital library saves in complex

[leica tcra 1102 manual by chadchandler4752 issuu](#) - Mar 04 2022

web sep 4 2017 read leica tcra 1102 manual by chadchandler4752 on issuu and browse thousands of other publications on our platform start here

*1905 in art wikipedia* - Nov 03 2022

web die brücke group of german expressionist artists formed in dresden léon bonnat succeeds paul dubois as director of the ecole des beaux arts alfred stieglitz and edward steichen open the little galleries of the photo secession later known as 291 photo art gallery on fifth avenue in new york city opening of the gibbes museum of art in

**1905 1914 les pionniers de l art moderne en pays 2022** - Jul 31 2022

web 1905 1914 les pionniers de l art moderne en pays downloaded from vps huratips com by guest callum mathews oublier rodin l age d homme jay winter s powerful 1998 study of the collective remembrance of the great war offers a major reassessment of one of the critical episodes in the cultural history of the twentieth century dr

*1905 1914 les pionniers de l art moderne en pays niklaus* - Jul 11 2023

web 1905 1914 les pionniers de l art moderne en pays recognizing the quirk ways to get this book 1905 1914 les pionniers de

l art moderne en pays is additionally useful you have remained in right site to start getting this info get the 1905 1914 les pionniers de l art moderne en pays link that we present here and check out the link

**1905 en arts plastiques wikipédia** - Sep 01 2022

web inauguration du palais des beaux arts 7 juin création du mouvement die brücke le pont par un groupe d artistes expressionnistes allemands à dresde salon d automne apparition du fauvisme en peinture Œuvres famille d acrobates tableau de pablo picasso le faubourg de collioure tableau d andré derain vers 1905

**l art de la mesure le salon d automne 1903 1914 l avant** - Aug 12 2023

web ou marchands connus sur la scène de l art moderne parisien facilitait les choses le cas du peintre italien gino severini 1883 1966 le confirme installé à paris en 1906 il ne connaît alors personne<sup>28</sup> c est à partir de 1908 qu il commence à côtoyer le milieu artistique parisien<sup>29</sup> en 1909 il expose au salon d automne

modern art society - Oct 02 2022

web following the modern art exhibition of 1963 by ho ho ying jolinda goh tan yee hong ng yat chuan tay chee toh wee beng chong and tong siang eng the artists formed the modern art society in 1964 the society s emphasis and direction were clearly articulated in its catalogue let us have a look at our era realism has passed its golden age

histoire de singapour passé présent et futur de singapour - May 29 2022

web histoire de singapour découvrez l histoire de singapour depuis sa fondation au xive siècle en passant par la seconde guerre mondiale et l indépendance de 1963 jusqu aux dernières années de cette île en pleine expansion le port de temasek ou ville de la mer comme on l appelait autrefois a été détruit par les javanais au

**ebook 1905 1914 les pionniers de l art moderne en pays** - Oct 14 2023

web 1905 1914 les pionniers de l art moderne en pays les prédicateurs pionniers de l ouest américain dec 03 2021 this work has been selected by scholars as being culturally important and is part of the knowledge base of civilization as we know it this work is in the public domain in the united states of america and possibly other nations

*history of singaporean art singart* - Mar 07 2023

web during the 60 s the drift from the heavy chinese influence became more apparent but it was on the 70 s when multiculturalism became the mainstream the period was the start of singapore s contemporary art scene singapore has museums that are over 100 years old but it was only after the war when the first art gallery was established

1905 1914 les pionniers de l art moderne en pays copy - Jan 05 2023

web 1905 1914 les pionniers de l art moderne en pays 3 3 sending west african soldiers to fight its battles in europe southeast asia and north africa in this exemplary contribution to the new imperial history gregory mann argues that this shared military experience between france and africa was fundamental not only to their colonial

---

*1905 1914 les pionniers de l art moderne en pays pdf api* - Mar 27 2022

web 1905 1914 les pionniers de l art moderne en pays is available in our book collection an online access to it is set as public so you can download it instantly our books collection spans in multiple locations allowing you to get the most less latency time to download any of our books like this one merely said the 1905 1914 les pionniers de l

**1905 1954 les pionniers de l art moderne en pays catalan** - Apr 08 2023

web l auteure présente une synthèse des travaux des artistes qui contribuèrent à transformer l art moderne maillol à banyuls matisse et derain à collioure braque et picasso à ceret dufy à perpignan elle donne des clés permettant de comprendre quelques unes de leurs oeuvres fondamentales nées de leurs relations spécifiques au pays catalan

**of the terms pioneer and second generation roots** - Feb 06 2023

web text by szan tan be muse volume 7 issue 1 jan to mar 2014 in the course of preparing for the 2014 exhibition a changed world singapore art 1950s 1970s one of the challenges that confronted my co curator daniel tham and myself was the use of terms in discussions about modern art in singapore

free pdf download 1905 1914 les pionniers de l art moderne en pays - Jun 10 2023

web 1905 1914 les pionniers de l art moderne en pays les pionniers de hôdo sep 13 2022 la terre est exsangue dans un climat de lutte de pouvoir de guerre civile et de terrorisme permanents est pourtant né ce qui est certainement le dernier projet à échelle planétaire sauver l humanité d une extinction probable de

1905 1914 les pionniers de l art moderne en pays download - Jun 29 2022

web retour dans leur pays d origine pour d autres et la mort de rodin en 1917 signent un basculement total et l entrée dans une nouvelle ère esthétique cet ouvrage propose un nouveau regard sur les pionniers de la sculpture moderne du début du xxe siècle et vient combler une lacune importante dans l histoire de l art

**read free 1905 1914 les pionniers de l art moderne en pays** - May 09 2023

web 1905 1914 les pionniers de l art moderne en pays les pionniers de l univers 2 l uomo et la donna jun 05 2020 cette épopée n est ni science fiction ni prophétie ce n est qu une suite d aventures vécues par huit astronautes aventures basées sur des faits réels possibles ou probables conduisant

**design 1925 50 essay the metropolitan museum of art** - Feb 23 2022

web the art deco style which reached its apogee at the 1925 exposition internationale des arts décoratifs et industriels modernes in paris gradually waned its decorative flourishes and emphasis on rich and exotic materials seemed increasingly irrelevant considering the economic pressures of the great depression in the united states and growing

*1905 1914 les pionniers de l art moderne en pays* - Sep 13 2023

web des pacifistes français et allemands pionniers de l entente franco allemande 1871 1925 1905 1914 les pionniers de l art

moderne en pays downloaded from ai classmonitor com by guest nylah wilson le travail en europe occidentale des années 1830 aux années 1930 capes agrég histoire géographie l age d homme this  
1905 1914 les pionniers de l art moderne en pays pdf - Apr 27 2022  
web pronouncement 1905 1914 les pionniers de l art moderne en pays pdf as with ease as review them wherever you are now  
affinités particularités marc lambrechts 2002  
download solutions 1905 1914 les pionniers de l art moderne en pays - Dec 04 2022  
web 1905 1914 les pionniers de l art moderne en pays nos pionniers de l 39 ouest bernard antoine 1890 1969 free nov 23  
2022 nos pionniers de l 39 ouest by bernard antoine 1890 1969 publication date 1949 topics québec comité de la survivance  
française université laval collection histoire de l ue pionniers de l ue union européenne may 29 2023