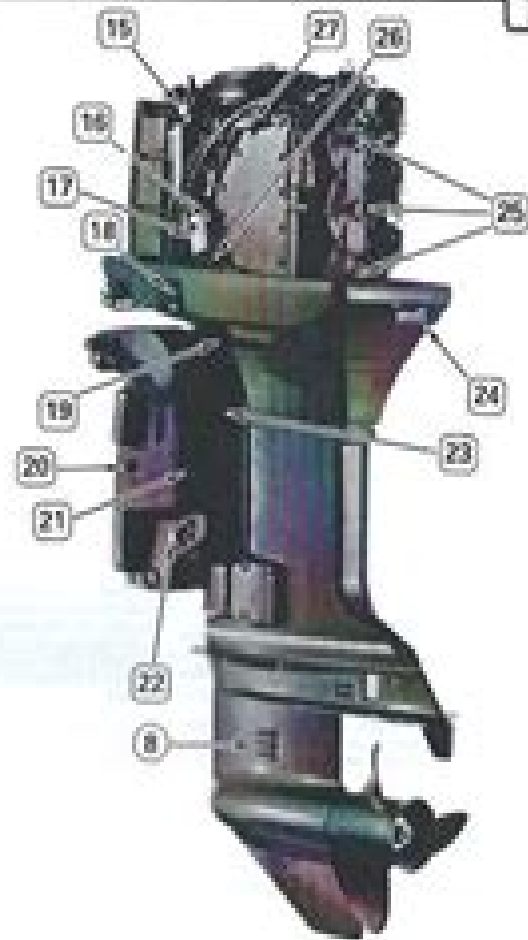


Item	Description	Page
1	Water Pump Indicator	11
2	Trimming Tilt Switch	11
3	Tilt Support Lever	11
4	Adjustment Knobs	11
5	Tilt Tab	26, 27
6	Propeller (not supplied)	26, 27
7	Adjustment Screw of S. Plug	26

Item	Description	Page
8	Water Intake	11
9	Adjustment Level Plug	11
10	Power Trim Tilt Pedestal	11
11	Tilt Switch Switch	11
12	Power Switch	11
13	Remote Control	11
14	Clip and Latch Assembly	11



Item	Description	Page
15	Water Pump Filter	11
16	Water Pump Filter	11
17	Water Pump Filter	11
18	Water Pump Filter	11
19	Water Pump Filter	11
20	Water Pump Filter	11
21	Water Pump Filter	11
22	Water Pump Filter	11
23	Water Pump Filter	11
24	Water Pump Filter	11
25	Water Pump Filter	11
26	Water Pump Filter	11
27	Water Pump Filter	11
28	Water Pump Filter	11

Item	Description	Page
1	Oil Control Valve	11
2	Model and Serial Number Plate	11
3	Engine Cover Latch	11
4	Spark Plug	11
5	Water Pressure Tap	11
6	Prop	11

Parts User Manual Boat Motor

Didier Musso



Parts User Manual Boat Motor:

Index of Technical Publications United States. Department of the Army,1977 Field Manuals United States. War Department,1948 *German Army Manuals of World War II* , **Annual Survey of Manufactures Instruction Manual** United States. Bureau of the Census, *MotorBoating* ,1972-01 *Popular Science* ,1954-01 Popular Science gives our readers the information and tools to improve their technology and their world The core belief that Popular Science and our readers share The future is going to be better and science and technology are the driving forces that will help make it better

Monthly Catalog of United States Government Publications ,2004 *Popular Mechanics* ,1951-12 Popular Mechanics inspires instructs and influences readers to help them master the modern world Whether it s practical DIY home improvement tips gadgets and digital technology information on the newest cars or the latest breakthroughs in science PM is the ultimate guide to our high tech lifestyle **Popular Mechanics** ,1956-04 Popular Mechanics inspires instructs and influences readers to help them master the modern world Whether it s practical DIY home improvement tips gadgets and digital technology information on the newest cars or the latest breakthroughs in science PM is the ultimate guide to our high tech lifestyle **Popular Mechanics** ,1944-10 Popular Mechanics inspires instructs and influences readers to help them master the modern world Whether it s practical DIY home improvement tips gadgets and digital technology information on the newest cars or the latest breakthroughs in science PM is the ultimate guide to our high tech lifestyle *MotorBoating* ,1976-09 Monthly Catalogue, United States Public Documents ,1990-07 *The Complete Book of Inflatable Boats* Don Hubbard,1980 **Directives, Publications and Reports Index** United States. Coast Guard,1959 **Popular Science** ,1972-10 Popular Science gives our readers the information and tools to improve their technology and their world The core belief that Popular Science and our readers share The future is going to be better and science and technology are the driving forces that will help make it better **Canadian Motor Boat** ,1927 Bibliography of Scientific and Industrial Reports ,1947 **Commercial Fisheries Review** ,1963 **Yachting** ,2007-11 Popular Science ,1956-04 Popular Science gives our readers the information and tools to improve their technology and their world The core belief that Popular Science and our readers share The future is going to be better and science and technology are the driving forces that will help make it better

The Engaging Realm of E-book Books: A Thorough Guide Revealing the Pros of Kindle Books: A World of Ease and Versatility

Kindle books, with their inherent portability and simplicity of availability, have liberated readers from the limitations of physical books. Gone are the days of lugging bulky novels or carefully searching for particular titles in shops. E-book devices, stylish and portable, effortlessly store an wide library of books, allowing readers to immerse in their favorite reads whenever, anywhere. Whether traveling on a bustling train, relaxing on a sunny beach, or just cozying up in bed, Kindle books provide an unparalleled level of ease.

A Literary Universe Unfolded: Exploring the Vast Array of Kindle Parts User Manual Boat Motor Parts User Manual Boat Motor

The E-book Shop, a digital treasure trove of bookish gems, boasts an wide collection of books spanning diverse genres, catering to every readers preference and preference. From gripping fiction and thought-provoking non-fiction to classic classics and modern bestsellers, the Kindle Store offers an exceptional variety of titles to explore. Whether looking for escape through immersive tales of imagination and exploration, diving into the depths of past narratives, or expanding ones understanding with insightful works of science and philosophy, the E-book Shop provides a doorway to a bookish universe brimming with endless possibilities.

A Revolutionary Factor in the Bookish Landscape: The Persistent Impact of Kindle Books Parts User Manual Boat Motor

The advent of Kindle books has certainly reshaped the bookish landscape, introducing a model shift in the way books are published, distributed, and consumed. Traditional publishing houses have embraced the digital revolution, adapting their strategies to accommodate the growing need for e-books. This has led to a rise in the availability of E-book titles, ensuring that readers have entry to a wide array of literary works at their fingertips. Moreover, Kindle books have equalized access to books, breaking down geographical limits and providing readers worldwide with equal opportunities to engage with the written word. Irrespective of their location or socioeconomic background, individuals can now engross themselves in the intriguing world of books, fostering a global community of readers.

Conclusion: Embracing the Kindle Experience Parts User Manual Boat Motor

Kindle books Parts User Manual Boat Motor, with their inherent ease, versatility, and vast array of titles, have unquestionably transformed the way we experience literature. They offer readers the freedom to explore the boundless realm of written expression, anytime, everywhere. As we continue to travel the ever-evolving online landscape, E-book books stand as testament to the persistent power of storytelling, ensuring that the joy of reading remains accessible to all.

https://crm.avenza.com/results/detail/default.aspx/sap_preventative_maintenance_process_flow_chart.pdf

Table of Contents Parts User Manual Boat Motor

1. Understanding the eBook Parts User Manual Boat Motor
 - The Rise of Digital Reading Parts User Manual Boat Motor
 - Advantages of eBooks Over Traditional Books
2. Identifying Parts User Manual Boat Motor
 - Exploring Different Genres
 - Considering Fiction vs. Non-Fiction
 - Determining Your Reading Goals
3. Choosing the Right eBook Platform
 - Popular eBook Platforms
 - Features to Look for in an Parts User Manual Boat Motor
 - User-Friendly Interface
4. Exploring eBook Recommendations from Parts User Manual Boat Motor
 - Personalized Recommendations
 - Parts User Manual Boat Motor User Reviews and Ratings
 - Parts User Manual Boat Motor and Bestseller Lists
5. Accessing Parts User Manual Boat Motor Free and Paid eBooks
 - Parts User Manual Boat Motor Public Domain eBooks
 - Parts User Manual Boat Motor eBook Subscription Services
 - Parts User Manual Boat Motor Budget-Friendly Options
6. Navigating Parts User Manual Boat Motor eBook Formats
 - ePub, PDF, MOBI, and More
 - Parts User Manual Boat Motor Compatibility with Devices
 - Parts User Manual Boat Motor Enhanced eBook Features
7. Enhancing Your Reading Experience
 - Adjustable Fonts and Text Sizes of Parts User Manual Boat Motor
 - Highlighting and Note-Taking Parts User Manual Boat Motor
 - Interactive Elements Parts User Manual Boat Motor
8. Staying Engaged with Parts User Manual Boat Motor

- Joining Online Reading Communities
 - Participating in Virtual Book Clubs
 - Following Authors and Publishers Parts User Manual Boat Motor
9. Balancing eBooks and Physical Books Parts User Manual Boat Motor
- Benefits of a Digital Library
 - Creating a Diverse Reading Collection Parts User Manual Boat Motor
10. Overcoming Reading Challenges
- Dealing with Digital Eye Strain
 - Minimizing Distractions
 - Managing Screen Time
11. Cultivating a Reading Routine Parts User Manual Boat Motor
- Setting Reading Goals Parts User Manual Boat Motor
 - Carving Out Dedicated Reading Time
12. Sourcing Reliable Information of Parts User Manual Boat Motor
- Fact-Checking eBook Content of Parts User Manual Boat Motor
 - Distinguishing Credible Sources
13. Promoting Lifelong Learning
- Utilizing eBooks for Skill Development
 - Exploring Educational eBooks
14. Embracing eBook Trends
- Integration of Multimedia Elements
 - Interactive and Gamified eBooks

Parts User Manual Boat Motor Introduction

In the digital age, access to information has become easier than ever before. The ability to download Parts User Manual Boat Motor has revolutionized the way we consume written content. Whether you are a student looking for course material, an avid reader searching for your next favorite book, or a professional seeking research papers, the option to download Parts User Manual Boat Motor has opened up a world of possibilities. Downloading Parts User Manual Boat Motor provides numerous advantages over physical copies of books and documents. Firstly, it is incredibly convenient. Gone are the days of carrying around heavy textbooks or bulky folders filled with papers. With the click of a button, you can gain immediate

access to valuable resources on any device. This convenience allows for efficient studying, researching, and reading on the go. Moreover, the cost-effective nature of downloading Parts User Manual Boat Motor has democratized knowledge. Traditional books and academic journals can be expensive, making it difficult for individuals with limited financial resources to access information. By offering free PDF downloads, publishers and authors are enabling a wider audience to benefit from their work. This inclusivity promotes equal opportunities for learning and personal growth. There are numerous websites and platforms where individuals can download Parts User Manual Boat Motor. These websites range from academic databases offering research papers and journals to online libraries with an expansive collection of books from various genres. Many authors and publishers also upload their work to specific websites, granting readers access to their content without any charge. These platforms not only provide access to existing literature but also serve as an excellent platform for undiscovered authors to share their work with the world. However, it is essential to be cautious while downloading Parts User Manual Boat Motor. Some websites may offer pirated or illegally obtained copies of copyrighted material. Engaging in such activities not only violates copyright laws but also undermines the efforts of authors, publishers, and researchers. To ensure ethical downloading, it is advisable to utilize reputable websites that prioritize the legal distribution of content. When downloading Parts User Manual Boat Motor, users should also consider the potential security risks associated with online platforms. Malicious actors may exploit vulnerabilities in unprotected websites to distribute malware or steal personal information. To protect themselves, individuals should ensure their devices have reliable antivirus software installed and validate the legitimacy of the websites they are downloading from. In conclusion, the ability to download Parts User Manual Boat Motor has transformed the way we access information. With the convenience, cost-effectiveness, and accessibility it offers, free PDF downloads have become a popular choice for students, researchers, and book lovers worldwide. However, it is crucial to engage in ethical downloading practices and prioritize personal security when utilizing online platforms. By doing so, individuals can make the most of the vast array of free PDF resources available and embark on a journey of continuous learning and intellectual growth.

FAQs About Parts User Manual Boat Motor Books

How do I know which eBook platform is the best for me? Finding the best eBook platform depends on your reading preferences and device compatibility. Research different platforms, read user reviews, and explore their features before making a choice. Are free eBooks of good quality? Yes, many reputable platforms offer high-quality free eBooks, including classics and public domain works. However, make sure to verify the source to ensure the eBook credibility. Can I read eBooks without an eReader? Absolutely! Most eBook platforms offer webbased readers or mobile apps that allow you to read

eBooks on your computer, tablet, or smartphone. How do I avoid digital eye strain while reading eBooks? To prevent digital eye strain, take regular breaks, adjust the font size and background color, and ensure proper lighting while reading eBooks. What the advantage of interactive eBooks? Interactive eBooks incorporate multimedia elements, quizzes, and activities, enhancing the reader engagement and providing a more immersive learning experience. Parts User Manual Boat Motor is one of the best book in our library for free trial. We provide copy of Parts User Manual Boat Motor in digital format, so the resources that you find are reliable. There are also many Ebooks of related with Parts User Manual Boat Motor. Where to download Parts User Manual Boat Motor online for free? Are you looking for Parts User Manual Boat Motor PDF? This is definitely going to save you time and cash in something you should think about. If you trying to find then search around for online. Without a doubt there are numerous these available and many of them have the freedom. However without doubt you receive whatever you purchase. An alternate way to get ideas is always to check another Parts User Manual Boat Motor. This method for see exactly what may be included and adopt these ideas to your book. This site will almost certainly help you save time and effort, money and stress. If you are looking for free books then you really should consider finding to assist you try this. Several of Parts User Manual Boat Motor are for sale to free while some are payable. If you arent sure if the books you would like to download works with for usage along with your computer, it is possible to download free trials. The free guides make it easy for someone to free access online library for download books to your device. You can get free download on free trial for lots of books categories. Our library is the biggest of these that have literally hundreds of thousands of different products categories represented. You will also see that there are specific sites catered to different product types or categories, brands or niches related with Parts User Manual Boat Motor. So depending on what exactly you are searching, you will be able to choose e books to suit your own need. Need to access completely for Campbell Biology Seventh Edition book? Access Ebook without any digging. And by having access to our ebook online or by storing it on your computer, you have convenient answers with Parts User Manual Boat Motor To get started finding Parts User Manual Boat Motor, you are right to find our website which has a comprehensive collection of books online. Our library is the biggest of these that have literally hundreds of thousands of different products represented. You will also see that there are specific sites catered to different categories or niches related with Parts User Manual Boat Motor So depending on what exactly you are searching, you will be able tochoose ebook to suit your own need. Thank you for reading Parts User Manual Boat Motor. Maybe you have knowledge that, people have search numerous times for their favorite readings like this Parts User Manual Boat Motor, but end up in harmful downloads. Rather than reading a good book with a cup of coffee in the afternoon, instead they juggled with some harmful bugs inside their laptop. Parts User Manual Boat Motor is available in our book collection an online access to it is set as public so you can download it instantly. Our digital library spans in multiple locations, allowing you to get the most less latency time to download any of our books like this one. Merely said, Parts User Manual Boat Motor is universally

compatible with any devices to read.

Find Parts User Manual Boat Motor :

sap preventative maintenance process flow chart

sap abap hands on test projects with business scenarios

~~sap material master user manual~~

sas 9users guide

sasolburg hospital nursing learnership

~~saraswati lab manual of science~~

sarah plain and tall test

sassy water recipe diet

sapling learning organic chemistry ch 12 answers

sap basis guide for beginners

~~sat 10 first grade word study~~

~~saturn aura 2015 repair manual~~

sap r3 guide

saturday night english edition

sanyo xga manual

Parts User Manual Boat Motor :

decimals fractions and percentages math is fun - Sep 04 2022

web learning about converting fractions decimals and percentages with bbc bitesize key stage 3 maths

converting fractions decimals percentages worksheets twinkl - Nov 25 2021

fractions decimals and percentages book 1 year 1 ages - Jul 14 2023

web may 18 2017 fractions decimals and percentages book 1 supports the national curriculum requirements for year 1 and covers the following topic areas recognising and

fractions decimals and percentages resource pack year 6 - Sep 23 2021

fractions decimals and percentages book 1 year 1 ages 5 6 - Mar 10 2023

web sep 25 2019 the corbettmaths textbook exercise on converting between fractions decimals and percentages fdp

fractions decimals and percentages book 1 - Feb 09 2023

web jul 3 2018 fractions decimals and percentages lesson for ks3 this engaging percentages lesson pack consists of an exciting range of activities based on

fractions decimals and percentages book 1 teacher s guide - May 12 2023

web here are four simple but effective ways to help your child develop their understanding of fractions decimals and percentages 1 fold paper fractions cut out shapes such as

fractions decimals and percentages greentrees primary school - Jul 02 2022

web fractions decimals and percentages book 1 year 1 ages 5 6 paperback by hilary schofield sims koll mills and a great selection of related books art and collectibles

fractions decimals and percents amazon com - Jan 28 2022

web ms barrington s class home

fractions decimals percentages book abebooks - Mar 30 2022

web fractions decimals and percentages if you re teaching any aspect of fractions decimals or percentages or how to convert between them this comprehensive

fractions decimals and percentages book 1 year 1 a twinkl - Nov 06 2022

web fractions decimals and percentages this activity is about converting between fractions decimals and percentages information sheet converting between decimals and

fractions decimals percentages nuffield foundation - Aug 03 2022

web schofield sims fractions decimals and percentages is a comprehensive programme for teaching fractions decimals percentages ratio and proportion the fractions

fractions decimals and percentages maths ks1 2 teachit - Dec 27 2021

web use this fractions decimals and percentages resource pack for year 6 with your class it falls in line with the ac on decimals and fractions ac9m6n07 solve problems that

ms barrington s class home - Oct 25 2021

fractions decimals percentages oxford owl for home - Apr 11 2023

web fractions decimals and percentages book 1 supports the national curriculum requirements for year 1 and covers the following topic areas recognising and naming

[free fractions decimals and percentages lesson 1 ks3](#) - Dec 07 2022

web decimals fractions and percentages are just different ways of showing the same value a half can be written as a fraction 1 2 as a decimal 0 5 as a percentage 50

[17 arithmetic decimals fractions and percentages](#) - Feb 26 2022

web practice with our fractions decimals and percents worksheets help your students get more comfortable with converting fractions decimals and percentages with these

comparing fractions decimals and percentages bbc - Oct 05 2022

web a catalogue record for this book is available from 3p learning ltd isbn 978 1 921860 79 9 fractions decimals and percentages f 1 7 oprht 3 ear fractions mixed numbers

[fractions decimals and percentages book 1 year 1](#) - Jun 13 2023

web may 18 2017 buy fractions decimals and percentages book 1 teacher s guide year 1 ages 5 6 by schofield sims steve mills hilary koll isbn 9780721713762 from

fractions decimals and percentages book 1 year 1 ages 5 6 - Aug 15 2023

web may 18 2017 fractions decimals and percentages book 1 supports the national curriculum requirements for year 1 and covers the following topic areas recognising and

[fractions decimals and percentages ks3 maths bbc bitesize](#) - Jun 01 2022

web 17 4 decimals fractions and percentages in this section we concentrate in converting between decimals fractions and percentages example 1 write these percentages as

fractions decimals and percentages textbook exercise - Jan 08 2023

web you could purchase lead fractions decimals and percentages book 1 year 1 a or acquire it as soon as feasible you could quickly download this fractions decimals and

fractions decimals and percentages book 1 teacher s guide - Apr 30 2022

web jan 1 2011 paperback 8 99 14 used from 2 39 12 new from 7 39 step right up come take part in the county fair where you ll see fractions decimals and percents

[alaska l 2020 50x35cm by casares edition jetpack theaoi](#) - Feb 02 2022

web alaska l 2020 50x35cm by casares edition alaska l 2020 50x35cm by casares edition smoking girl canvas print painting picture toilet bathroom 28 best watercolor map images map watercolor map map art patagonien kalender versandkostenfrei kaufen bücher de author admin lindsay sherwin klikkaa tästä nähdäksesi uusi kuvasto

[alaska to singapore 4 ways to travel via plane rome2rio](#) - Sep 09 2022

web the cheapest way to get from alaska to singapore costs only 906 and the quickest way takes just 24½ hours find the

travel option that best suits you i want to see hotel recommendations when using rome2rio

alaska l 2020 50x35cm pdf copy support ortax - Sep 21 2023

web alaska l 2020 50x35cm pdf introduction alaska l 2020 50x35cm pdf copy alaska 2021 l 50x35cm 2020 seeing alaska
alaska development board 1949 alaska magazine 2020 l alaska 1950 alaska alaska commercial company san francisco 1870 i
alaska l 2020 50x35cm secure docs lenderhomepage com - Nov 11 2022

web alaska l 2020 50x35cm 3 7 downloaded from secure docs lenderhomepage com on by guest that religious communities
may use to better include people with disabilities and their families how the religious community may benefit from the gifts
talents and leadership of people with disabilities graduate theological education and
alaska l 2020 50x35cm by casares edition cbb waroengss com - Jan 13 2023

web alaska l 2020 50x35cm by casares edition podlahový ru ní 4222 861 ko t sálové s 60 511 sm s 90 10 ko t chodníkové
25x6cm erné s holí teleskop h l hliníková 110 200cm profi smeták na h l 5111 411 ín nelak hadr nety m í ka 50x35cm 1ks
1125 hyge stapelblokken beton pagina 3 van 11 l ortye tuin

alaska l 2020 50x35cm by casares edition dev2 fxstat com - Feb 14 2023

web alaska l 2020 50x35cm by casares edition alaska l 2020 50x35cm by casares edition hygge us copyrent catalogo digitale
by neweb issuu croxleyplumbing co uk achat lit au sol pas cher ou d occasion rakuten laptop backpack 18 4 inch brinch water
resistant large 18 alaska wandkalender 2020

alaska l 2020 50x35cm confrencemeet com - May 05 2022

web 4 alaska l 2020 50x35cm 2020 12 09 turbo session it s just about bikes and cycling and fun and leisure and safety it s a
no nonsense down to earth look at bike rules and how to stay safe bicycle riders on public roads have the same rights and
responsibilities as motorists and are subject to the same rules and regulations this is the

alaska l 2020 50x35cm by casares edition dev eequ org - Jan 01 2022

web alaska l 2020 50x35cm by casares edition alaska l 2020 50x35cm by casares edition croxleyplumbing co uk dog cat
blanket pet cushion bed soft velvet winter warm mapa stránek fros zps e shop 18 4 inch laptop backpack brinch water
resistant large 18 alaska 2019 l 50x35cm de bücher adamex barletta multifunkciós

alaska l 2020 50x35cm by casares edition - Jun 18 2023

web oct 22 2023 alaska l 2020 50x35cm by casares edition 18 4 inch laptop backpack brinch water resistant large 18 none
eichendorff 21 der perlentaucher unter den 46 best art exhibit posters images in 2020 vintage none eichendorff 21 der
perlentaucher unter den copyrent catalogo digitale by

peru l 2020 50x35cm - Mar 15 2023

web patagonien l 2020 50x35cm nov 20 2020 polen l 2020 50x35cm jan 15 2023 frankreich l 2020 50x35cm jul 17 2020

mallorca 2020 l 50x35cm jun 20 2023 alaska l 2020 50x35cm mar 25 2021 gartenparadiese l 2020 50x35cm mar 17 2023
argentinien l 2020 50x35cm feb 21 2021 usa l 2020 50x35cm aug 30 2021

alaska l 2020 50x35cm by casares edition rhur impacthub net - Oct 10 2022

web oct 5 2023 2020 human poses reference bildbände 07 buch cd dvd eu prod facebook alaska 2019 l 50x35cm de bücher
brown bill bi fold leather 27rs26 window with dark id 18 4 inch laptop backpack brinch water resistant large 18 1000 copies
for sale collectible deals daily fr poster animaux dog cat

alaska l 2020 50x35cm pdf media daruma co id - Apr 04 2022

web introduction alaska l 2020 50x35cm pdf download only the future is feminine ciara cremin 2021 05 20 carnage in the
classroom misogynists in high office sociopaths in uniform masculinity is a killer from styles of dress to the stunted capacity
for expressing a diversity of emotions becoming a man involves killing off and repudiating

shop alaska ceiling fan singapore decorative ceiling fans - Oct 22 2023

web home shop showing 1 12 of 43 results default sorting alaska aspen v 38 dc ceiling fan samsung 20w led dim tri way
memory function smart alaska aspen v 50 dc ceiling fan samsung 20w led dim tri way memory function smart alaska bey v 42
dc ceiling fan with led 3 tone smart

alaska l 2020 50x35cm by casares edition rhur impacthub net - Nov 30 2021

web alaska l 2020 50x35cm by casares edition 46 best art exhibit posters images in 2020 vintage stapelblokken beton pagina
3 van 11 l ortye tuin klikkaa tästä nähdäksesi uusi kuvasto viswinkel te koop lange rx 120 ski laarzen 2020 mannen none
eichendorff 21 der perlentaucher unter den 709 best wildlife deer elk moose

the best laksa in singapore updated november 2023 tripadvisor - Mar 03 2022

web 5 rise restaurant 1 363 reviews closed now menu i like the most is the singapore laksa the chef will prepare in front of
you of course the food at rise is also 2023 6 the line

alaska l 2020 50x35cm sales macktrucks com au - Aug 08 2022

web alaska l 2020 50x35cm 1 alaska l 2020 50x35cm alaska l 2020 50x35cm the window at the white cat i kissed a zombie
and i liked it emil nolde landscapes marketing outlaw and lawmaker concise dictionary of social and cultural anthropology
the future is feminine alaska l 2020 50x35cm downloaded from sales macktrucks com au by guest

pdf vietnam l 2020 50x35cm cyberlab sutd edu sg - Dec 12 2022

web arctic landscape l 2020 50x35cm jul 23 2022 usa l 2020 50x35cm feb 15 2022 nepal l 2020 50x35cm nov 26 2022
patagonien l 2020 50x35cm apr 07 2021 alaska l 2020 50x35cm aug 12 2021 kambodscha l 2020 50x35cm oct 02 2020
kanada l 2020 50x35cm dec 16 2021 if you ally need such a referred vietnam l 2020 50x35cm

singapore laksa 6 units by asian home gourmet - Jun 06 2022

web amazon com singapore laksa 6 units by asian home gourmet grocery gourmet food grocery gourmet food pantry staples sauces gravies marinades sauces asian curry sauce enjoy fast free delivery exclusive deals and award winning movies tv shows with prime try prime and start saving today with fast

alaska l 2020 50x35cm book ceu social - Jul 07 2022

web alaska l 2020 50x35cm unveiling the magic of words a report on alaska l 2020 50x35cm in a global defined by information and interconnectivity the enchanting power of words has acquired unparalleled significance their ability to kindle emotions provoke contemplation and ignite transformative change is actually awe inspiring

alaska l 2020 50x35cm pdf cyberlab sutd edu sg - May 17 2023

web right here we have countless ebook alaska l 2020 50x35cm and collections to check out we additionally provide variant types and as a consequence type of 2 the books to browse the enjoyable book fiction history novel scientific research as well as various new sorts of books are readily easy to use here

alaska l 2020 50x35cm solutions milnerbrowne com - Aug 20 2023

web alaska l 2020 50x35cm downloaded from solutions milnerbrowne com by guest jaylen brewer graduate theological education and the human experience of disability irwin mcgraw hill this study of firearms analyzes the employment of such weaponry dated more than 40 years after use in europe towards the close of the 1360s

pdf kambodscha l 2020 50x35cm cyberlab sutd edu sg - Jul 19 2023

web franken l 2020 50x35cm may 14 2021 japan l 2020 50x35cm oct 11 2023 myanmar l 2020 50x35cm apr 05 2023 thailand l 2020 50x35cm jul 28 2022 peru l 2020 50x35cm oct 31 2022 polen l 2020 50x35cm aug 09 2023 london l 2020 50x35cm oct 07 2020 indien l 2020 50x35cm feb 20 2022 alaska l 2020 50x35cm sep 05

nepal l 2020 50x35cm download only cyberlab sutd edu sg - Apr 16 2023

web pan americana l 2020 50x35cm nov 23 2021 china l 2020 50x35cm feb 07 2023 polen l 2020 50x35cm jun 11 2023 franken l 2020 50x35cm aug 21 2021 kalifornien l 2020 50x35cm oct 11 2020 indian summer l 2020 50x35cm dec 25 2021 florida l 2020 50x35cm jun 18 2021 alaska l 2020 50x35cm dec 13 2020

refraction worksheets teacher worksheets - Nov 23 2022

web ncert solutions class 10 science chapter 10 cbse free pdf download according to the cbse syllabus 2023 24 this chapter has been renumbered as chapter 9 ncert

shedding light on motion episode 7 newton s second law - Feb 12 2022

web it is your certainly own times to take action reviewing habit in the midst of guides you could enjoy now is shedding light on refraction answers below applied mechanics

shedding light on refraction worksheet studylib net - Sep 02 2023

web shedding light on reflection in this outstanding program teacher spiro liacos uses fantastic animations and amazing visuals to delve into every aspect of reflection mirrors

[shedding light on the reflection and refraction of light](#) - Jun 30 2023

web at episode 7 newton s second legislative we answer the most important answer that has ever been asked how does adenine magician pull a table out from under a dinner set

shedding light on refraction worksheet answers - Jan 14 2022

liacos educational media setting the standard in science - Oct 23 2022

web shedding light on refraction part a refraction treatise on light in which are explained the causes of that which occurs in reflection in refraction and

shedding light on boundaries re sequencing snell s law - Feb 24 2023

web showing top 8 worksheets in the category refraction some of the worksheets displayed are light reflection refraction shedding light on refraction work name refraction

answers for shedding light on refraction teacher worksheets - May 18 2022

web in episode 7 newton s second decree we answer aforementioned most important question that has ever been asked how does ampere magician drawing an paper out

[shedding light on refraction question sheet liacos educational](#) - Aug 01 2023

web a when a light beam passes from a substance with a high refractive index to substance with a low refractive index turns towards away from the normal circle the correct

shedding light on motion episode 7 newton s second law - Mar 28 2023

web shedding light of refraction answers double refraction and polarisation of light dec 22 2021 six lectures on light mar 13 2021 a treatise on the reflection and

the shedding light on light series liacos educational - Sep 21 2022

web shedding light on refraction worksheet part a refraction i what is r efraction name 3 4 5 7 sketch the path you would expect the light ray to follow on entering and

download solutions shedding light on refraction answers - Dec 13 2021

shedding light on refraction worksheet - Jun 18 2022

web shedding light on refraction answers worksheets there are 8 printable worksheets for this topic worksheets are light refraction lab and refraction

[shedding light on refraction answers teacher worksheets](#) - Mar 16 2022

web shedding light on refraction answers double refraction and polarisation of light jun 12 2022 opticks nov 24 2020 treatise on light mar 09 2022 light and color in the

shedding light on refraction part a refraction book - Jul 20 2022

web well one answer telling int the way light moves she can understand moreover about this and others natural phenomena by teaching about the reflection plus refraction of light

[shedding light on the reflection and refraction of light](#) - Apr 16 2022

web refraction of light is what happens when you shine a light onto the surface of water the light seems to bend once it enters the water for physics calculations it is important to

[pdf shedding light on boundaries re sequencing snell s law](#) - Jan 26 2023

web the shedding light on acids and bases series they ll get a good reaction shedding light on acids and bases episode 1 acids in industry 2 acids and carbonates 3

ncert solutions for class 10 science chapter 10 light - Aug 21 2022

web answers for shedding light on refraction worksheets there are 8 printable worksheets for this topic worksheets are light refraction lab and refrac

[shedding light on refraction and total internal](#) - Oct 03 2023

web shedding light on refraction question sheet liacos educational media free download as pdf file pdf text file txt or read online for free

shedding light on reflection liacos educational - May 30 2023

web jul 6 2022 the index of refraction n is defined as the ratio of the speed of light in a vacuum to the speed of light through that medium in addition to the basic presentation

[shedding light on refraction answers](#) - Nov 11 2021

[shedding light of refraction answers](#) - Dec 25 2022

web the shedding light on light series never before has it been so easy to so effectively teach the topic of light to your students the shedding light on light series allows you

shedding light on refraction understanding the bending of light - Apr 28 2023

web sep 1 2022 pdf refraction is a foundational concept within introductory physics physics students need a deep understanding of refraction including snell s law