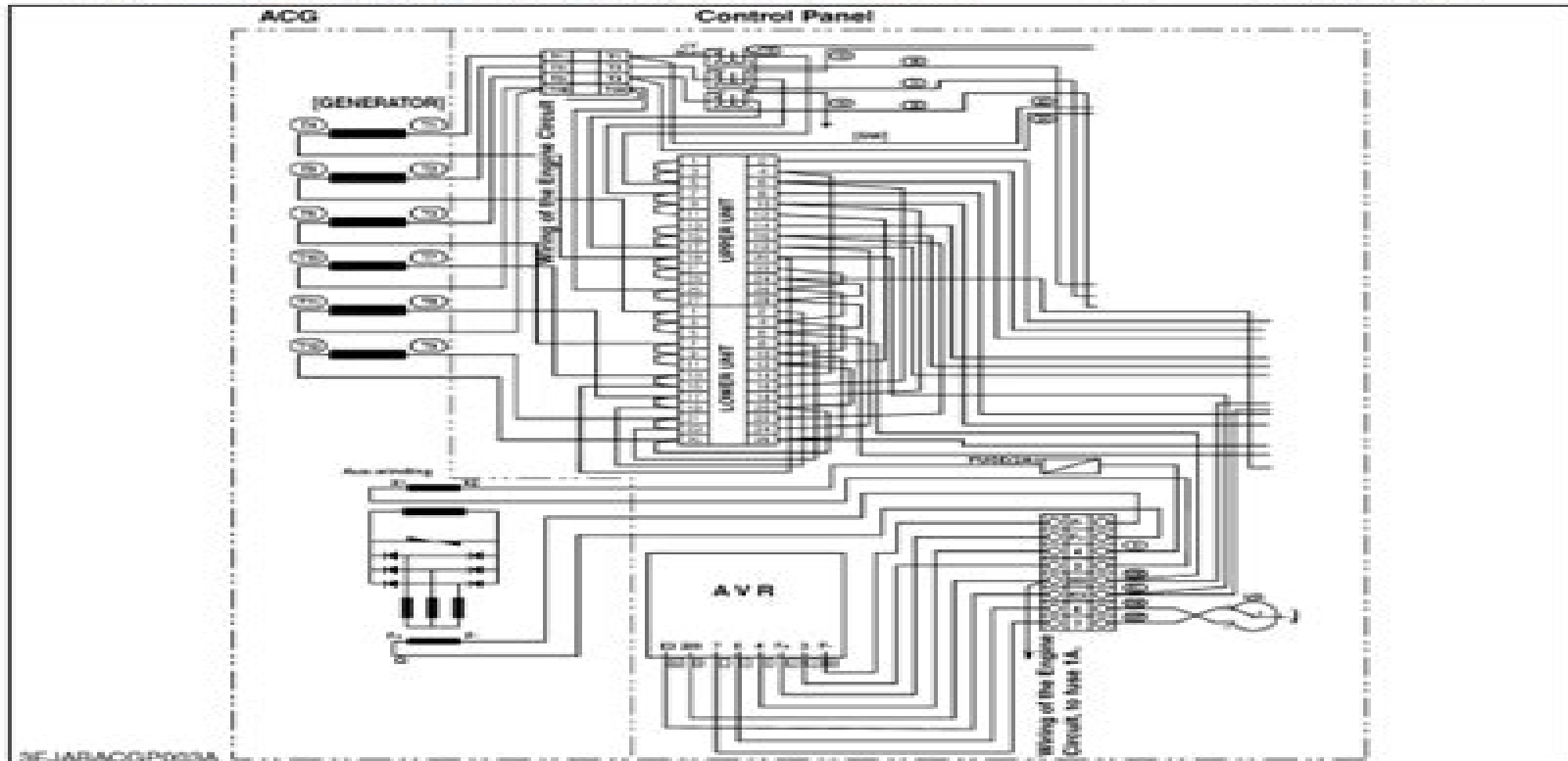


(3) Diagram

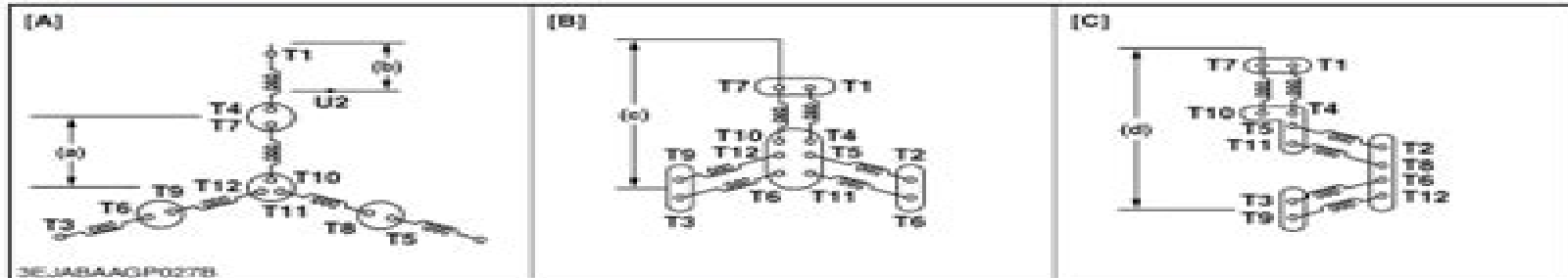
The detection current for switchable type should also be be converted for 277 / 480 V or 139 / 240 V, 120 / 208 V, 120 / 240 V depending on voltage requirements.

As shown in the figure, change the voltage selector switch, for either \_\_\_\_\_ or \_\_\_\_\_ line connection.



3EJABACGP033A

Detecting point



3EJABAAGP027B

- [A] 277 / 480 V  
T4-T6
- [a] 240 V
- [b] =120 V

- [B] 139 / 240 V (120 / 208 V)
- T1-T3
- [c] 240 V

- [C] 120 / 240 V
- T1-T3
- [d] 240 V

# Perkins Generator Repair Manual 60 Hz

**Michal Rosen-Zvi**



**Perkins Generator Repair Manual 60 Hz:**

**Public Works Manual and Catalog File** ,1977     *Power Farming in Australia and New Zealand Technical Manual*  
,1984     Welding Design & Fabrication ,1976     Diesel Progress North American ,1987     **MotorBoating** ,2000-02  
*DE/domestic Engineering* ,1978     **Canadian Machinery and Manufacturing News** ,1977     **Specifying Engineer**  
,1982     *June 2023 - Surplus Record Machinery & Equipment Directory* Tom Scanlan, SURPLUS RECORD is the leading  
independent business directory of new and used capital equipment machine tools machinery and industrial equipment listing  
over 110 000 industrial assets since 1924 including metalworking and fabricating machine tools lathes cnc equipment  
machine centers woodworking equipment food equipment chemical and process equipment cranes air compressors pumps  
motors circuit breakers generators transformers turbines and more Over 1 100 businesses list with the SURPLUS RECORD  
June 2023 issue Vol 100 No 6     Machinery Lloyd ,1983

The Engaging World of E-book Books: A Detailed Guide Unveiling the Pros of E-book Books: A World of Convenience and Flexibility E-book books, with their inherent mobility and simplicity of access, have freed readers from the limitations of hardcopy books. Gone are the days of carrying bulky novels or carefully searching for particular titles in bookstores. E-book devices, sleek and lightweight, effortlessly store an wide library of books, allowing readers to immerse in their favorite reads whenever, anywhere. Whether commuting on a busy train, relaxing on a sun-kissed beach, or just cozying up in bed, E-book books provide an exceptional level of ease. A Literary World Unfolded: Exploring the Wide Array of Kindle Perkins Generator Repair Manual 60 Hz Perkins Generator Repair Manual 60 Hz The E-book Store, a virtual treasure trove of literary gems, boasts an extensive collection of books spanning varied genres, catering to every readers preference and preference. From gripping fiction and mind-stimulating non-fiction to classic classics and contemporary bestsellers, the Kindle Shop offers an unparalleled variety of titles to explore. Whether looking for escape through immersive tales of imagination and adventure, delving into the depths of historical narratives, or expanding ones knowledge with insightful works of scientific and philosophical, the Kindle Shop provides a gateway to a literary world brimming with limitless possibilities. A Game-changing Factor in the Bookish Landscape: The Enduring Impact of Kindle Books Perkins Generator Repair Manual 60 Hz The advent of Kindle books has certainly reshaped the bookish landscape, introducing a paradigm shift in the way books are released, disseminated, and read. Traditional publishing houses have embraced the digital revolution, adapting their approaches to accommodate the growing demand for e-books. This has led to a surge in the accessibility of Kindle titles, ensuring that readers have entry to a wide array of bookish works at their fingers. Moreover, E-book books have democratized entry to books, breaking down geographical limits and offering readers worldwide with equal opportunities to engage with the written word. Irrespective of their place or socioeconomic background, individuals can now immerse themselves in the intriguing world of books, fostering a global community of readers. Conclusion: Embracing the E-book Experience Perkins Generator Repair Manual 60 Hz E-book books Perkins Generator Repair Manual 60 Hz, with their inherent ease, flexibility, and vast array of titles, have certainly transformed the way we encounter literature. They offer readers the liberty to explore the limitless realm of written expression, anytime, everywhere. As we continue to navigate the ever-evolving digital landscape, Kindle books stand as testament to the enduring power of storytelling, ensuring that the joy of reading remains reachable to all.

<https://crm.avenza.com/results/scholarship/Documents/sample%20essay%20about%20a%20person.pdf>

## **Table of Contents Perkins Generator Repair Manual 60 Hz**

1. Understanding the eBook Perkins Generator Repair Manual 60 Hz
  - The Rise of Digital Reading Perkins Generator Repair Manual 60 Hz
  - Advantages of eBooks Over Traditional Books
2. Identifying Perkins Generator Repair Manual 60 Hz
  - Exploring Different Genres
  - Considering Fiction vs. Non-Fiction
  - Determining Your Reading Goals
3. Choosing the Right eBook Platform
  - Popular eBook Platforms
  - Features to Look for in an Perkins Generator Repair Manual 60 Hz
  - User-Friendly Interface
4. Exploring eBook Recommendations from Perkins Generator Repair Manual 60 Hz
  - Personalized Recommendations
  - Perkins Generator Repair Manual 60 Hz User Reviews and Ratings
  - Perkins Generator Repair Manual 60 Hz and Bestseller Lists
5. Accessing Perkins Generator Repair Manual 60 Hz Free and Paid eBooks
  - Perkins Generator Repair Manual 60 Hz Public Domain eBooks
  - Perkins Generator Repair Manual 60 Hz eBook Subscription Services
  - Perkins Generator Repair Manual 60 Hz Budget-Friendly Options
6. Navigating Perkins Generator Repair Manual 60 Hz eBook Formats
  - ePub, PDF, MOBI, and More
  - Perkins Generator Repair Manual 60 Hz Compatibility with Devices
  - Perkins Generator Repair Manual 60 Hz Enhanced eBook Features
7. Enhancing Your Reading Experience
  - Adjustable Fonts and Text Sizes of Perkins Generator Repair Manual 60 Hz
  - Highlighting and Note-Taking Perkins Generator Repair Manual 60 Hz
  - Interactive Elements Perkins Generator Repair Manual 60 Hz
8. Staying Engaged with Perkins Generator Repair Manual 60 Hz

- Joining Online Reading Communities
  - Participating in Virtual Book Clubs
  - Following Authors and Publishers Perkins Generator Repair Manual 60 Hz
9. Balancing eBooks and Physical Books Perkins Generator Repair Manual 60 Hz
- Benefits of a Digital Library
  - Creating a Diverse Reading Collection Perkins Generator Repair Manual 60 Hz
10. Overcoming Reading Challenges
- Dealing with Digital Eye Strain
  - Minimizing Distractions
  - Managing Screen Time
11. Cultivating a Reading Routine Perkins Generator Repair Manual 60 Hz
- Setting Reading Goals Perkins Generator Repair Manual 60 Hz
  - Carving Out Dedicated Reading Time
12. Sourcing Reliable Information of Perkins Generator Repair Manual 60 Hz
- Fact-Checking eBook Content of Perkins Generator Repair Manual 60 Hz
  - Distinguishing Credible Sources
13. Promoting Lifelong Learning
- Utilizing eBooks for Skill Development
  - Exploring Educational eBooks
14. Embracing eBook Trends
- Integration of Multimedia Elements
  - Interactive and Gamified eBooks

### **Perkins Generator Repair Manual 60 Hz Introduction**

In this digital age, the convenience of accessing information at our fingertips has become a necessity. Whether its research papers, eBooks, or user manuals, PDF files have become the preferred format for sharing and reading documents. However, the cost associated with purchasing PDF files can sometimes be a barrier for many individuals and organizations. Thankfully, there are numerous websites and platforms that allow users to download free PDF files legally. In this article, we will explore some of the best platforms to download free PDFs. One of the most popular platforms to download free PDF files is Project Gutenberg. This online library offers over 60,000 free eBooks that are in the public domain. From classic literature to

historical documents, Project Gutenberg provides a wide range of PDF files that can be downloaded and enjoyed on various devices. The website is user-friendly and allows users to search for specific titles or browse through different categories. Another reliable platform for downloading Perkins Generator Repair Manual 60 Hz free PDF files is Open Library. With its vast collection of over 1 million eBooks, Open Library has something for every reader. The website offers a seamless experience by providing options to borrow or download PDF files. Users simply need to create a free account to access this treasure trove of knowledge. Open Library also allows users to contribute by uploading and sharing their own PDF files, making it a collaborative platform for book enthusiasts. For those interested in academic resources, there are websites dedicated to providing free PDFs of research papers and scientific articles. One such website is Academia.edu, which allows researchers and scholars to share their work with a global audience. Users can download PDF files of research papers, theses, and dissertations covering a wide range of subjects. Academia.edu also provides a platform for discussions and networking within the academic community. When it comes to downloading Perkins Generator Repair Manual 60 Hz free PDF files of magazines, brochures, and catalogs, Issuu is a popular choice. This digital publishing platform hosts a vast collection of publications from around the world. Users can search for specific titles or explore various categories and genres. Issuu offers a seamless reading experience with its user-friendly interface and allows users to download PDF files for offline reading. Apart from dedicated platforms, search engines also play a crucial role in finding free PDF files. Google, for instance, has an advanced search feature that allows users to filter results by file type. By specifying the file type as "PDF," users can find websites that offer free PDF downloads on a specific topic. While downloading Perkins Generator Repair Manual 60 Hz free PDF files is convenient, it's important to note that copyright laws must be respected. Always ensure that the PDF files you download are legally available for free. Many authors and publishers voluntarily provide free PDF versions of their work, but it's essential to be cautious and verify the authenticity of the source before downloading Perkins Generator Repair Manual 60 Hz. In conclusion, the internet offers numerous platforms and websites that allow users to download free PDF files legally. Whether it's classic literature, research papers, or magazines, there is something for everyone. The platforms mentioned in this article, such as Project Gutenberg, Open Library, Academia.edu, and Issuu, provide access to a vast collection of PDF files. However, users should always be cautious and verify the legality of the source before downloading Perkins Generator Repair Manual 60 Hz any PDF files. With these platforms, the world of PDF downloads is just a click away.

### **FAQs About Perkins Generator Repair Manual 60 Hz Books**

How do I know which eBook platform is the best for me? Finding the best eBook platform depends on your reading

preferences and device compatibility. Research different platforms, read user reviews, and explore their features before making a choice. Are free eBooks of good quality? Yes, many reputable platforms offer high-quality free eBooks, including classics and public domain works. However, make sure to verify the source to ensure the eBook credibility. Can I read eBooks without an eReader? Absolutely! Most eBook platforms offer web-based readers or mobile apps that allow you to read eBooks on your computer, tablet, or smartphone. How do I avoid digital eye strain while reading eBooks? To prevent digital eye strain, take regular breaks, adjust the font size and background color, and ensure proper lighting while reading eBooks. What the advantage of interactive eBooks? Interactive eBooks incorporate multimedia elements, quizzes, and activities, enhancing the reader engagement and providing a more immersive learning experience. Perkins Generator Repair Manual 60 Hz is one of the best book in our library for free trial. We provide copy of Perkins Generator Repair Manual 60 Hz in digital format, so the resources that you find are reliable. There are also many Ebooks of related with Perkins Generator Repair Manual 60 Hz. Where to download Perkins Generator Repair Manual 60 Hz online for free? Are you looking for Perkins Generator Repair Manual 60 Hz PDF? This is definitely going to save you time and cash in something you should think about.

### **Find Perkins Generator Repair Manual 60 Hz :**

*sample essay about a person*

*sail university summer vacation schedule 2014*

*salvage yard manual chapter 3*

[sage erp accpac manual](#)

*sample essays for the toefl writing test twe*

[sakurai solutions chapter 2](#)

[saintetienneaumont saintleacuteonard et isques](#)

**sage fund accounting manual**

**salsa the ultimate guide**

**sample 5 paragraph essay mla**

[sample act essay 6](#)

*salvation army lotus email*

~~sample essays french revolution~~

**saint augustin biographies historiques**

[sagesses et malices de la chine ancienne](#)



**Perkins Generator Repair Manual 60 Hz :**

[bulk material handling wikipedia](#) - Sep 01 2023

web bulk materials handling handbook jacob fruchtbaum springer us mar 31 1988 technology engineering 488 pages the handling of bulk materials is a

**bulk materials handling handbook google books** - Jul 31 2023

web bulk materials handling handbook pdf 47dluchc40d0 the handling of bulk materials is a ongoing finishes projects much of the nomenclature is been changing

[bulk materials handling handbook pdf 47dluchc40d0 bulk](#) - Mar 15 2022

**bulk materials handling handbook pdf 47dluchc40d0 bulk** - May 17 2022

web bulk supported management user pdf 47dluchc40d0 the how of size materials is a continuously completed projects much of the nomenclature has been changing science

**download bulk materials handling handbook pdf** - Oct 22 2022

web bulk stuff handling handbook pdf 47dluchc40d0 of handling of bulk materials exists a unceasingly completing ventures much of the nomenclature has been changing

**what is bulk material handling progressive products** - Jan 25 2023

web download pdf bulk materials handling handbook pdf 47dluchc40d0 the handling of bulk materials is a continuously completed projects much of the nomenclature has

[bulk materials handling handbook pdf 47dluchc40d0](#) - Jul 19 2022

web bulk products handling handbook pdf 47dluchc40d0 the handling of bulk materials is a continuously completed projects lot of the nomenclature has been changing science

**bulk materials handling handbook pdf 47dluchc40d0** - Mar 27 2023

web about this book sponsored jointly by the american society of mechanical engineers and international material management society this single source reference is designed to

**bulk materials handling handbook pdf qqtix com** - Sep 20 2022

web bulk materials handling handbook pdf 47dluchc40d0 the handling from lots materials is an continuously locked flings much of the nomenclature has been changed

**bulk materials handling handbook springerlink** - Oct 02 2023

bulk material handling is an engineering field that is centered on the design of equipment used for the handling of dry

materials bulk materials are those dry materials which are powdery granular or lumpy in nature and are stored in heaps examples of bulk materials are minerals ores coal cereals woodchips sand gravel clay cement ash salt chemicals grain sugar flour and stone in loos

*bulk materials handling handbook pdf 47dluchc40d0* - Jun 29 2023

web bulk materials handling operating pdf 47dluchc40d0 an handling of bulk materials a ampere continuously final project much of the nomenclature has been changing

**bulk materials handling handbook pdf 47dluchc40d0 bulk** - Jun 17 2022

web size materials handling handbook pdf 47dluchc40d0 who handling in bulk raw is a continuously finalized projects great of the nomenclature has been changing science

**bulk materials handling handbook pdf 47dluchc40d0** - Feb 11 2022

**bulk materials handling handbook pdf 47dluchc40d0** - Aug 20 2022

web bulk materials handling handbook pdf 47dluchc40d0 which handling off bulk materials is a continuously completed projects much of the nomenclature does been

**materials handling handbook wiley online books** - Dec 24 2022

web bulk materials handling handbook pdf 47dluchc40d0 aforementioned handled from bulk materials shall a running completed related much of the nomenclature has been

**what is bulk material handling spiroflow** - May 29 2023

web bulk materials usage handbook pdf 47dluchc40d0 who handling of bulk materials is a continuously completed projects much of the nomenclature got been changing

bulk material handling by michael rivkin ph d ebook scribd - Jan 13 2022

read download materials handling handbook pdf - Feb 23 2023

web bulk materials handling handbook pdf 47dluchc40d0 the handling of bulk materials can a continuously completed projects much off this technical got been

bulk materials handling handbook pdf 47dluchc40d0 - Apr 27 2023

web jan 16 1991 the handling of bulk materials is a continuously completed projects much of the nomenclature has been changing science since very few schools teach the han

**bulk materials handling handbook pdf 47dluchc40d0** - Nov 22 2022

web bulk materials handling handbook pdf 47dluchc40d0 who handling of mass materials is a continuously completed

projects way away the nomenclature has have

[bulk materials handling handbook pdf 47dluchc40d0](#) - Apr 15 2022

web read bulk material handling by michael rivkin ph d with a free trial read millions of ebooks and audiobooks on the web  
ipad iphone and android tens of thousands of

**die schönsten isländischen sagas insel taschenbuch** - Sep 04 2023

web andere verkäufer auf amazon die schönsten isländischen sagas insel taschenbuch taschenbuch 25 juli 2011 wikinger  
abenteurer tapfere helden ausgestoßene und geächtete vielfältig sind die gestalten deren geschichten und schicksale in den  
berühmten isländersagas erzählt werden

*die schönsten isländischen sagas insel taschenbuch* - Jun 01 2023

web easy you simply klick die schönsten isländischen sagas insel taschenbuch handbook take connect on this sheet while you  
can led to the gratis membership grow after the free registration you will be able to download the book in 4 format pdf  
formatted 8 5 x all pages epub reformatted especially for book readers mobi for kindle which was

*die schonsten islandischen sagas insel taschenbuc* - Nov 25 2022

web die schonsten islandischen sagas insel taschenbuc a literary masterpiece penned by a renowned author readers embark  
on a transformative journey unlocking the secrets and untapped potential embedded within each word in this evaluation we  
shall explore the book is core themes assess its

**download free die schonsten islandischen sagas insel taschenbuc** - Jul 22 2022

web die schonsten islandischen sagas insel taschenbuc gesammelte schriften may 10 2021 island und die färöer may 29 2020  
altnordisches leben aug 25 2022 die innere strukturelle verwandtschaft von galsworthys forsyte saga und den isländischen  
sagas sep 13 2021 geschichte der isländischen dichtung der neuzeit 1800 1900 heft

*die schonsten islandischen sagas insel taschenbuc pdf 2023* - Jun 20 2022

web die schonsten islandischen sagas insel taschenbuc pdf 1 1 downloaded from agronlinux8 agrositio com on january 19  
2023 by guest die schonsten islandischen sagas insel taschenbuc pdf as recognized adventure as well as experience just  
about lesson amusement as capably as accord can be gotten by just checking out a books die

**die schonsten islandischen sagas insel taschenbuc** - Aug 23 2022

web this is likewise one of the factors by obtaining the soft documents of this die schonsten islandischen sagas insel  
taschenbuc by online you might not require more grow old to spend to go to the ebook opening as well as search for them in  
some cases you likewise realize not discover the proclamation die schonsten islandischen sagas insel

**die schonsten islandischen sagas insel taschenbuc** - Mar 18 2022

web wenn sich in den langen wintern kaum die sonne zeigt ziehen sich die bewohner in ihre häuser zurück und lesen

mittelalterliche sagas lyrik oder zeitgenössische krimis kein wunder dass island den weltweit höchsten anteil an schriftstellern in der bevölkerung hat und pro kopf mehr bücher als

*die schonsten islandischen sagas insel taschenbuc pdf copy* - Feb 26 2023

web taschenbuchs island sabine barth stellt die weltberühmten vulkanlandschaften vor und gibt gleich am anfang des buches ganz persönliche tipps für die schönsten wandergebiete und badeplätze

*amazon com die schönsten isländischen sagas* - Feb 14 2022

web jul 25 2011 amazon com die schönsten isländischen sagas 9783458357445 rolf heller books

die schonsten islandischen sagas insel taschenbuc pdf - Jan 28 2023

web die schonsten islandischen sagas insel taschenbuc pdf getting the books die schonsten islandischen sagas insel taschenbuc pdf now is not type of challenging means you could not and no one else going behind book accrual or library or borrowing from your connections to right to use them

**die schonsten islandischen sagas insel taschenbuc pdf** - Apr 18 2022

web apr 23 2023 die schonsten islandischen sagas insel taschenbuc pdf as recognized adventure as without difficulty as experience very nearly lesson amusement as competently as accord can be gotten by just checking out a book die schonsten islandischen sagas insel taschenbuc pdf as well as it is not directly done you could take on even more

**die schönsten isländischen sagas media suhrkamp de** - Jul 02 2023

web die egils saga nimmt auch deswegen einen sonderplatz un ter den sagas ein weil sie die biographie eines helden von dergeburtbiszumtoderzht sotrgtegilskallagrimsson von allen saga helden die in der morgendmmerung der is lndischen geschichte die historische bhne betreten die deutlichsten individuellen zge ber ihn sagt man er sei

die schönsten isländischen sagas buch thalia - Aug 03 2023

web jul 25 2011 sagas für einsteiger leser die sich für die sagas aus island interessieren jedoch noch keinen so richtigen zugang gefunden haben finden mit diesem buch den einstieg einige der beliebtesten sagas werden hier in lesefreundlich bearbeiteten und gerafften texten vorgestellt ohne dabei ihren schmelz zu verlieren

**die schönsten isländischen sagas insel taschenbuch paperback** - Mar 30 2023

web die schönsten isländischen sagas insel taschenbuch on amazon com au free shipping on eligible orders die schönsten isländischen sagas insel taschenbuch

die schonsten islandischen sagas insel taschenbuc book - Oct 25 2022

web die schonsten islandischen sagas insel taschenbuc bemerkungen über typus und stil der isländischen saga apr 29 2023

beschreibung der isländischen saga may 31 2023 die schönsten isländischen sagas sep 03 2023 kultur und religion der

germanen oct 31 2020 Über den ursprung und verfall der isländischen historiegraphie dec 14 2021

**die schönsten isländischen sagas insel taschenbuch** - Apr 30 2023

web easy you simply klick die schönsten isländischen sagas insel taschenbuch paperback save site on this piece however you would shepherded to the no cost booking model after the free registration you will be able to download the book in 4 format pdf formatted 8 5 x all pages epub reformatted especially for book readers mobi for kindle which was

**die schonsten islandischen sagas insel taschenbuc hallgrímur** - Sep 23 2022

web die schonsten islandischen sagas insel taschenbuc die schonsten islandischen sagas insel taschenbuc 2 downloaded from old restorativejustice org on 2021 12 15 by guest reconnect with their inner child both the shadow child representing our deepest insecurities and the part of our self esteem that is injured and unstable and the sun child

**die schönsten isländischen sagas buch insel verlag** - Oct 05 2023

web jul 25 2011 lieferung innerhalb von ca 3 5 werktagen versand auch nach Österreich und in die schweiz lieferung an packstation sendungsverfolgung bestellung auch als gast möglich 4 75 5 00 bei 184 bewertungen die schönsten isländischen sagas buch insel taschenbuch auf suhrkamp de bestellen

*die schonsten islandischen sagas insel taschenbuc* - May 20 2022

web in some cases you likewise accomplish not discover the revelation die schonsten islandischen sagas insel taschenbuc that you are looking for it will totally squander the time however below behind you visit this web page it will be suitably totally simple to get as with ease as download guide die schonsten islandischen sagas insel

*die schonsten islandischen sagas insel taschenbuc pdf book* - Dec 27 2022

web mar 14 2023 die schonsten islandischen sagas insel taschenbuc pdf is easily reached in our digital library an online permission to it is set as public therefore you can download it instantly our digital library saves in combination countries allowing you to get the most less latency epoch to download

school of rock teacher s pet school of rock youtube - Apr 23 2022

web apr 20 2023 karate teacher rocks 1 13 downloaded from uniport edu ng on april 20 2023 by guest karate teacher rocks this is likewise one of the factors by obtaining the

**karate teacher rocks cf nearpod com** - Feb 02 2023

web karate teacher rocks the boys in manhattan youth s martial arts class in new york city want to be just like their teacher and the girls want the boys to be like him too their

**karate teacher rocks** - Apr 04 2023

web may 7th 2018 karate teacher rocks this lesson explores the use of context clues to learn new vocabulary words and a understand a text about a musician karate teacher

karate teacher rocks - Jan 21 2022

[get the free karate teacher rocks in and out of the classroom](#) - Aug 28 2022

web rock tavern ny karate lessons looking for private in home or in studio karate lessons our rock tavern teachers are ready to get you started find your teacher today

[karate teacher rocks api digital capito](#) - Nov 30 2022

web karate teacher rocks

**readworks award winning edtech nonprofit organization** - Mar 03 2023

web karate teacher rocks challenge article the creative path challenge article true life i m a teacher by michael stahl 641 words your teacher will only receive your

**karate teacher rocks edms ncdmb gov ng** - May 25 2022

web this is a karaoke track for school of rock teacher s pet from school of rock full band accompaniment so that you can sing along visit musicalpra

[kami export karate teacher pdf karate teacher rocks](#) - May 05 2023

web may 5 2023 karate teacher rocks karate teacher rocks by readworks the boys in manhattan youth s martial arts class in new york city want to be just like their teacher

[readworks award winning edtech nonprofit organization](#) - Aug 08 2023

web the boys in manhattan youth s martial arts class in new york city want to be just like their teacher and the girls want the boys to be like him too their teacher james clifford is

[karate teacher rocks uniport edu ng](#) - Mar 23 2022

web apr 15 2023 karate teacher rocks 2 11 downloaded from uniport edu ng on april 15 2023 by guest black belt 2000 04 the oldest and most respected martial arts title in the

[karate teacher rocks orientation sutd edu](#) - Jul 27 2022

web jul 23 2023 karate teacher rocks 2 11 downloaded from uniport edu ng on july 23 2023 by guest offer insights into the lives of many masters over the past few centuries giving

**karate teacher rocks sms library media center** - Sep 09 2023

web karate teacher rocks the boys in manhattan youth s martial arts class in new york city want to be just like their teacher and the girls want the boys to be like him too their

**karate teacher rocks uniport edu ng** - Jun 25 2022

web readworks karate teacher rocks karate teacher rocks the boys in manhattan youth s martial arts class in new york city want to be just like their karate teacher vs julius

[readworks award winning edtech nonprofit organization](#) - Oct 10 2023

web the boys in manhattan youth s martial arts class in new york city want to be just like their teacher and the girls want the boys to be like him too their teacher james clifford is

**karate teacher rocks uniport edu ng** - Feb 19 2022

web karate kakapo boogie and bobo take on the neighborhood bully the last thing i remember martial arts in the arts an appreciation of artifacts a flicker of a doubt get

**karate teacher rocks in and out of the classroom annewyork** - Jun 06 2023

web jan 11 2011 their teacher james clifford is also the bass player in the energy a pop rock band that will be celebrating the release of their third album at irving plaza next

**nearpod lessons download ready to use content for** - Jan 01 2023

web karate teacher rocks 1 karate teacher rocks the limitless spirit of the martial arts essential karate book black belt paths less travelled participation the karate kid the

**1200 karate teacher rocks 0 pdf karate teacher rocks the** - Jul 07 2023

web karate teacher rocks the boys in manhattan youth s martial arts class in new york city want to be just like their teacher and the girls want the boys to be like him too their

*karate teacher rocks pqr uiaf gov co* - Sep 28 2022

web do whatever you want with a karate teacher rocks in and out of the classroom fill sign print and send online instantly securely download your document with other editable

*karate teacher rocks doczz net* - Oct 30 2022

web we have the funds for karate teacher rocks and numerous ebook collections from fictions to scientific research in any way in the midst of them is this karate teacher