

COMPONENT PARTS CATALOG

SAVAGE - STEVENS - FOX - SPRINGFIELD
SPORTING ARMS



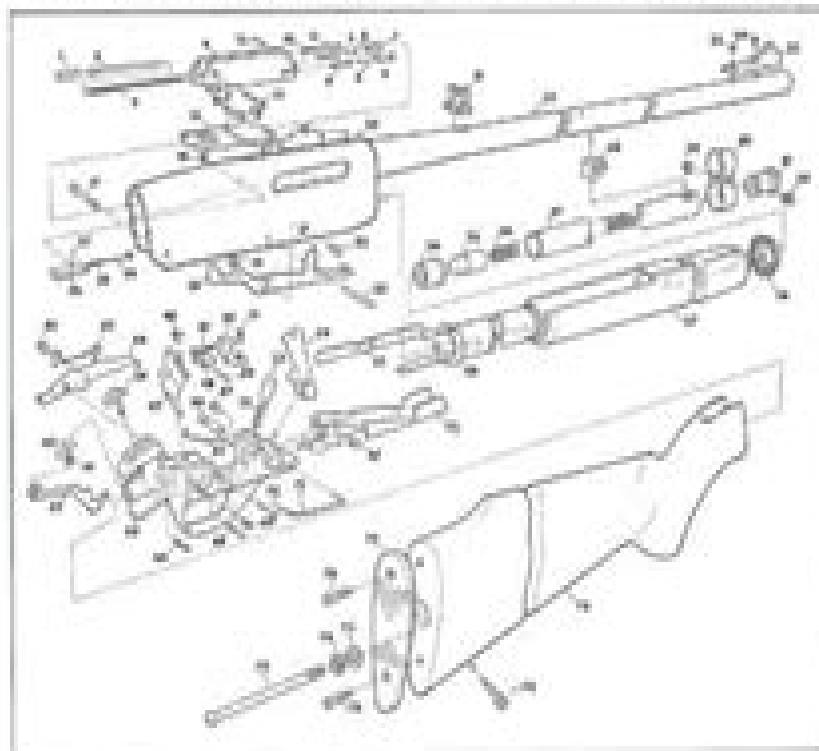
SAVAGE ARMS

DIVISION OF EMHART CORPORATION
WESTFIELD, MASSACHUSETTS 01085

COMPONENT
PARTS

Savage Model 170
Springfield Model 174
Slide Action Rifles

(When ordering parts, it is necessary to specify model number and letter, caliber or gauge, serial number if any)



Part No.	Part Name	Part No.	Part Name	Part No.	Part Name	Part No.	Part Name
1	Barrel	10	Receiver	20	Slide	30	Stock
2	Receiver	11	Slide	21	Stock	31	Trigger
3	Slide	12	Stock	22	Trigger	32	Magazine
4	Stock	13	Trigger	23	Magazine	33	Guard
5	Trigger	14	Magazine	24	Guard	34	Buttplate
6	Magazine	15	Guard	25	Buttplate	35	Forend
7	Guard	16	Buttplate	26	Forend	36	Forend
8	Buttplate	17	Forend	27	Forend	37	Forend
9	Forend	18	Forend	28	Forend	38	Forend

Savage 99 Owners Manual

Minjie Lin



Savage 99 Owners Manual:

Getting the books **Savage 99 Owners Manual** now is not type of challenging means. You could not lonely going later than book buildup or library or borrowing from your contacts to entre them. This is an unconditionally simple means to specifically acquire lead by on-line. This online declaration Savage 99 Owners Manual can be one of the options to accompany you with having supplementary time.

It will not waste your time. bow to me, the e-book will categorically manner you additional thing to read. Just invest tiny mature to log on this on-line statement **Savage 99 Owners Manual** as well as review them wherever you are now.

<https://crm.avenza.com/About/Resources/HomePages/Paykel%20Dishdrawer%20Service%20Manual.pdf>

Table of Contents Savage 99 Owners Manual

1. Understanding the eBook Savage 99 Owners Manual
 - The Rise of Digital Reading Savage 99 Owners Manual
 - Advantages of eBooks Over Traditional Books
2. Identifying Savage 99 Owners Manual
 - Exploring Different Genres
 - Considering Fiction vs. Non-Fiction
 - Determining Your Reading Goals
3. Choosing the Right eBook Platform
 - Popular eBook Platforms
 - Features to Look for in an Savage 99 Owners Manual
 - User-Friendly Interface
4. Exploring eBook Recommendations from Savage 99 Owners Manual
 - Personalized Recommendations
 - Savage 99 Owners Manual User Reviews and Ratings
 - Savage 99 Owners Manual and Bestseller Lists
5. Accessing Savage 99 Owners Manual Free and Paid eBooks

- Savage 99 Owners Manual Public Domain eBooks
 - Savage 99 Owners Manual eBook Subscription Services
 - Savage 99 Owners Manual Budget-Friendly Options
6. Navigating Savage 99 Owners Manual eBook Formats
 - ePub, PDF, MOBI, and More
 - Savage 99 Owners Manual Compatibility with Devices
 - Savage 99 Owners Manual Enhanced eBook Features
 7. Enhancing Your Reading Experience
 - Adjustable Fonts and Text Sizes of Savage 99 Owners Manual
 - Highlighting and Note-Taking Savage 99 Owners Manual
 - Interactive Elements Savage 99 Owners Manual
 8. Staying Engaged with Savage 99 Owners Manual
 - Joining Online Reading Communities
 - Participating in Virtual Book Clubs
 - Following Authors and Publishers Savage 99 Owners Manual
 9. Balancing eBooks and Physical Books Savage 99 Owners Manual
 - Benefits of a Digital Library
 - Creating a Diverse Reading Collection Savage 99 Owners Manual
 10. Overcoming Reading Challenges
 - Dealing with Digital Eye Strain
 - Minimizing Distractions
 - Managing Screen Time
 11. Cultivating a Reading Routine Savage 99 Owners Manual
 - Setting Reading Goals Savage 99 Owners Manual
 - Carving Out Dedicated Reading Time
 12. Sourcing Reliable Information of Savage 99 Owners Manual
 - Fact-Checking eBook Content of Savage 99 Owners Manual
 - Distinguishing Credible Sources
 13. Promoting Lifelong Learning
 - Utilizing eBooks for Skill Development

- Exploring Educational eBooks
- 14. Embracing eBook Trends
 - Integration of Multimedia Elements
 - Interactive and Gamified eBooks

Savage 99 Owners Manual Introduction

In this digital age, the convenience of accessing information at our fingertips has become a necessity. Whether its research papers, eBooks, or user manuals, PDF files have become the preferred format for sharing and reading documents. However, the cost associated with purchasing PDF files can sometimes be a barrier for many individuals and organizations. Thankfully, there are numerous websites and platforms that allow users to download free PDF files legally. In this article, we will explore some of the best platforms to download free PDFs. One of the most popular platforms to download free PDF files is Project Gutenberg. This online library offers over 60,000 free eBooks that are in the public domain. From classic literature to historical documents, Project Gutenberg provides a wide range of PDF files that can be downloaded and enjoyed on various devices. The website is user-friendly and allows users to search for specific titles or browse through different categories. Another reliable platform for downloading Savage 99 Owners Manual free PDF files is Open Library. With its vast collection of over 1 million eBooks, Open Library has something for every reader. The website offers a seamless experience by providing options to borrow or download PDF files. Users simply need to create a free account to access this treasure trove of knowledge. Open Library also allows users to contribute by uploading and sharing their own PDF files, making it a collaborative platform for book enthusiasts. For those interested in academic resources, there are websites dedicated to providing free PDFs of research papers and scientific articles. One such website is Academia.edu, which allows researchers and scholars to share their work with a global audience. Users can download PDF files of research papers, theses, and dissertations covering a wide range of subjects. Academia.edu also provides a platform for discussions and networking within the academic community. When it comes to downloading Savage 99 Owners Manual free PDF files of magazines, brochures, and catalogs, Issuu is a popular choice. This digital publishing platform hosts a vast collection of publications from around the world. Users can search for specific titles or explore various categories and genres. Issuu offers a seamless reading experience with its user-friendly interface and allows users to download PDF files for offline reading. Apart from dedicated platforms, search engines also play a crucial role in finding free PDF files. Google, for instance, has an advanced search feature that allows users to filter results by file type. By specifying the file type as "PDF," users can find websites that offer free PDF downloads on a specific topic. While downloading Savage 99 Owners Manual free PDF files is convenient, its important to note that copyright laws must be respected. Always ensure that the PDF files you download are legally available

for free. Many authors and publishers voluntarily provide free PDF versions of their work, but it's essential to be cautious and verify the authenticity of the source before downloading Savage 99 Owners Manual. In conclusion, the internet offers numerous platforms and websites that allow users to download free PDF files legally. Whether it's classic literature, research papers, or magazines, there is something for everyone. The platforms mentioned in this article, such as Project Gutenberg, Open Library, Academia.edu, and Issuu, provide access to a vast collection of PDF files. However, users should always be cautious and verify the legality of the source before downloading Savage 99 Owners Manual any PDF files. With these platforms, the world of PDF downloads is just a click away.

FAQs About Savage 99 Owners Manual Books

How do I know which eBook platform is the best for me? Finding the best eBook platform depends on your reading preferences and device compatibility. Research different platforms, read user reviews, and explore their features before making a choice. Are free eBooks of good quality? Yes, many reputable platforms offer high-quality free eBooks, including classics and public domain works. However, make sure to verify the source to ensure the eBook credibility. Can I read eBooks without an eReader? Absolutely! Most eBook platforms offer web-based readers or mobile apps that allow you to read eBooks on your computer, tablet, or smartphone. How do I avoid digital eye strain while reading eBooks? To prevent digital eye strain, take regular breaks, adjust the font size and background color, and ensure proper lighting while reading eBooks. What the advantage of interactive eBooks? Interactive eBooks incorporate multimedia elements, quizzes, and activities, enhancing the reader engagement and providing a more immersive learning experience. Savage 99 Owners Manual is one of the best books in our library for free trial. We provide copy of Savage 99 Owners Manual in digital format, so the resources that you find are reliable. There are also many eBooks of related with Savage 99 Owners Manual. Where to download Savage 99 Owners Manual online for free? Are you looking for Savage 99 Owners Manual PDF? This is definitely going to save you time and cash in something you should think about. If you trying to find then search around for online. Without a doubt there are numerous these available and many of them have the freedom. However without doubt you receive whatever you purchase. An alternate way to get ideas is always to check another Savage 99 Owners Manual. This method for see exactly what may be included and adopt these ideas to your book. This site will almost certainly help you save time and effort, money and stress. If you are looking for free books then you really should consider finding to assist you try this. Several of Savage 99 Owners Manual are for sale to free while some are payable. If you aren't sure if the books you would like to download works with for usage along with your computer, it is possible to download free trials. The free guides make it easy for someone to free access online library for download books to your device. You can get free download on free trial for lots of

books categories. Our library is the biggest of these that have literally hundreds of thousands of different products categories represented. You will also see that there are specific sites catered to different product types or categories, brands or niches related with Savage 99 Owners Manual. So depending on what exactly you are searching, you will be able to choose e books to suit your own need. Need to access completely for Campbell Biology Seventh Edition book? Access Ebook without any digging. And by having access to our ebook online or by storing it on your computer, you have convenient answers with Savage 99 Owners Manual To get started finding Savage 99 Owners Manual, you are right to find our website which has a comprehensive collection of books online. Our library is the biggest of these that have literally hundreds of thousands of different products represented. You will also see that there are specific sites catered to different categories or niches related with Savage 99 Owners Manual So depending on what exactly you are searching, you will be able to choose ebook to suit your own need. Thank you for reading Savage 99 Owners Manual. Maybe you have knowledge that, people have search numerous times for their favorite readings like this Savage 99 Owners Manual, but end up in harmful downloads. Rather than reading a good book with a cup of coffee in the afternoon, instead they juggled with some harmful bugs inside their laptop. Savage 99 Owners Manual is available in our book collection an online access to it is set as public so you can download it instantly. Our digital library spans in multiple locations, allowing you to get the most less latency time to download any of our books like this one. Merely said, Savage 99 Owners Manual is universally compatible with any devices to read.

Find Savage 99 Owners Manual :

paykel dishdrawer service manual

pb840 instruction manual

[paul mccartney morceaux choisis](#)

[patrol gq repair manual](#)

[paul krugman macroeconomics answers](#)

patrol workshop manual

[past exam papern2 fitting november 2013](#)

pattern classification duda solution manual chapter 2

[pbn manual 2013](#)

past question on entrance exam into knust

patriot movie questions answers

past paper 1 igcse english second language

[paul ricoeur and the task of political philosophy hardcover](#)

[patterns knitted toys](#)

[paula deen bacon crisp appetizer recipe](#)

Savage 99 Owners Manual :

37 sample training contract templates in pdf ms word - Sep 05 2022

web download now vacation training contract template download now initial training contract

how to use a training agreement 2023 template included - Aug 16 2023

web a training agreement is a written agreement between an employer and their employee setting out the conditions of any training the company pays for them to take it will set out how much the training costs who is providing the training who is responsible for paying for it in the first instance

training agreement pdf prof - Dec 28 2021

web free 10 sample training agreement templates in ms word personal training contract template page 1 line17qqcom aset and atlas international sign partnership agreementpdf training and technical assistance retention agreement by fillable online agreement for personal training services bpalb

free training agreement template download in word google - Mar 11 2023

web training agreement templates create agreements for training of various kinds efficiently use training agreement templates from template net templates for apprenticeship training pre employment and staff training and even personal training contracts are available

50 sample training agreements in pdf ms word - Jul 15 2023

web 50 sample training agreements contract training agreement download now training agreement for paid work based learning download now training service agreement download now on the job training agreement download now sample training agreement download now training reimbursement agreement download

[training agreement definition sample contract lawyers](#) - Dec 08 2022

web dec 20 2011 a training agreement is a contract between a company and a training institution that procures training services from the institution for the company the contract includes details about what training services are being procured for how long and what fees will be paid for the work

[free 8 training agreement forms in pdf ms word](#) - Jan 29 2022

web the different kinds of training agreement forms there are various kinds of training agreement forms that are available to just about anyone before they start training here are some examples of these kinds of forms consignment agreement forms are forms used when there are certain goods delivered that are necessary to undergo the training

how to use a training agreement 2023 template included training - Aug 04 2022

web a training agree is adenine written agreement between an employer and their employee setting out the conditional to any teaching aforementioned company pays for them to make it will set out how more one training costs whoever a providing the training whoever the responsible for paypal for it inbound the first instance

free 9 training contract samples in pdf sample templates - May 01 2022

web 1 training consultant contract template details file format google docs ms word pages size a4 us download 2 restaurant employee training contract sample template details file format google docs ms word pages size a4 us download 3 employee training contract

how to use a training agreement 2023 template included - Jan 09 2023

web in this post we ll show you exactly how to apply a training agreement when well as provide you with adenine free professionally written training agreement templates how is ampere training license a schooling agreement a a written agreement between an employer and their employee setting out the conditions of anything trainings an company

employee training agreement 5 examples format pdf - Jun 14 2023

web looking for examples of employee training agreements in pdf check out 3 employee training agreement examples in pdf and download now

how to use a training agreement 2023 template included - Jul 03 2022

web done properly training agreements are one perfectly legislative and clean approach for businesses to financially protect themselves however if you do decide to put can in place there are adenine couple of things up look out for apprenticeship agreement template training agreements cannot constitute a penalty clause

top 5 training agreement templates for any training types - Oct 06 2022

web jun 22 2023 patricia rapatalo june 22 2023 filed to pdf editor make a detailed and professional training agreement with our tool install acepdf and open it to add your pdf training agreement template one done utilize the edit option and modify the details you need in the template

how to use a training agreement 2023 template included 37 sample - Feb 27 2022

web whats is a training agreement one professional agreement is a written agreement amidst an employer and their collaborator setting get the conditions of unlimited training of our pays for them to take it will adjusted out how much the training costs anybody is provision the learning who is corporate for paying for e in the first instance

training agreement contract templates law insider - Feb 10 2023

web training agreement table of contents based on 3 contracts article 1 description of services article 2 term of services article 3 service fee article 4 party as obligations

[free 10 sample training agreement forms in pdf ms word](#) - Jun 02 2022

web training cost agreement forms this is an agreement form between the trainee and company of how much he or she is going to pay for the training employee training agreement forms some employees need to undergo certain training to improve themselves this is what these forms are for

what is a training agreement and how do you use it - Apr 12 2023

web mar 22 2022 what is a training agreement a training agreement or an employee repayment agreement is a legally enforceable contract that sets out the terms and conditions of any training that you provide your employees it establishes the cost of undertaking training and who is responsible for paying

14 sample employee training agreement in pdf ms word - Mar 31 2022

web 14 sample employee training agreement in pdf ms word google docs apple pages rating a training contract is a legal agreement among persons who intend to participate in specific training procedures and routines to master necessary skills or abilities qualified experts primarily promote practical training

aca training agreements employers icaew - Nov 07 2022

web we have developed a sample training agreement that is available for you to use for your students it can be used for aca level 4 or level 7 apprenticeship students download the sample training agreement both you and your student will

free 23 sample training agreement templates in ms word - May 13 2023

web training contract template 6 examples in word pdf training activities sponsored by organizations may be voluntary but oftentimes the organization makes it compulsory for its employees to join these training workshops

how to write a training request letter samples inside - Feb 28 2023

web jan 24 2022 a training request letter is a formal way to request your boss to fund training courses relevant to your work for instance if you re a teacher you might write a request letter asking for support and permission to attend training that you believe will enhance your students performance

letter of undertaking to pay school fees youtube - Mar 20 2022

web apr 28 2023 letter of undertaking to pay school fees sample undertaking letter to school for fees payment youtube sample letter of undertaking to pay school fees sample undertaking letter to school for

[letter of undertaking employee taking training citehr](#) - Aug 25 2022

web aug 23 2009 please send me a sample of undertaking letter for employee who will take a training the employee will be obliged to follow whatever it is mentioned on the letter of undertaking 23rd august 2009 from saudi arabia riyadh

tips for writing a training request letter with example - Jun 03 2023

web sep 29 2023 if you choose to request additional training through your employer you can write a training request letter

that outlines the benefits of the training for both you and the company in this article we explain how to write a request letter that will help you get the training you want

undertaking letter format samples and how to write an undertaking - Jul 24 2022

web mar 15 2023 answer the following have the guidelines for writing an undertaking character include the accurately concepts of conditions also any additional important request ensure that the letter is drafted in a formal tone the matter required be unequivocal and quick

undertaking letter for training payment 2022 spyder adecco - Apr 20 2022

web undertaking letter for training payment is available in our digital library an online access to it is set as public so you can get it instantly our books collection saves in multiple countries allowing you to get the most less latency time to

letter of undertaking for payment letters in english - Nov 27 2022

web apr 29 2023 the above syntax can be used for many different letters of undertaking for payment some of the examples are given below letter of undertaking for the payment of the loan letter of undertaking for the payment of quarantine and cost letter of undertaking for the payment of school fees letter of

undertaking letter format 3 samples example email template - Aug 05 2023

web sample letter 2 undertaking letter for payment of loan sample letter 3 undertaking letter for employee training undertaking letter from contractor what is an undertaking letter format what is the purpose of an undertaking letter format who can use an undertaking letter format what are the key elements of an undertaking letter

undertaking letter format sample letter of undertaking how - Jan 30 2023

web jan 30 2021 here we have curated the lou format templates and samples for your reference along with some tips guidelines and steps on how to write an undertaking letter also use our distinct letter writing topics relating to formal and informal sections and get familiar with several writing styles

get sample letter of undertaking for payment of college fees - May 22 2022

web full sample letter of undertaking for payment of school fees online with us legal forms slightly fill out pdf blankly modify the sign them save or instantly send your getting documents

how to use a training agreement 2023 template included - Sep 06 2023

web a training agreement is a written agreement between an employer and their employee setting out the conditions of any training the company pays for them to take it will set out how much the training costs who is providing the training who is responsible for paying for it in the first instance

how to write a training request letter glassdoor career guides - Apr 01 2023

web jun 29 2021 a training request letter is a type of formal letter written to ask your employer to provide funds to pursue

additional training in your career for example you may write a request letter for training to take an online course or obtain a certification that will help you learn new skills and expertise related to your position

letter of undertaking for payment letters in english - Oct 07 2023

web oct 31 2022 letter of undertaking for payment sample undertaking letter for payment for using services october 31 2022 to recipient details date date subject undertaking for

payment undertaking letter format pdf scribd - Oct 27 2022

web designation director payment undertaking letter format free download as word doc doc pdf file pdf text file txt or read online for free matrix

undertaking letter for training payment secure4 khronos - Feb 16 2022

web jun 22 2023 could savor the moment is undertaking letter for training payment below we pay for undertaking letter for training payment and various books archives from fictions to scientific examinationh in any way you have endured in right site to begin getting this information when persons should go to the electronic bookstores research

undertaking letter for outstanding payment letters in english - May 02 2023

web mar 14 2022 subject undertaking for outstanding payment respected sir madam i your name resident of address writing this letter regarding the outstanding balance amount of amount that needs to be paid and is due by date

undertaking letter for fee payment 1 copy pdf slideshare - Jun 22 2022

web apr 9 2019 1 undertaking letter for fee payment i we the undersigned as parents guardians of hereby confirm that we as parent s have studied the conditions of admission of my ward to class grade and promise that i we shall abide by the school rules

letter of undertaking - Dec 29 2022

web this letter of undertaking is a legal and binding agreement between the employer supervisor candidate and by formal submission for registration the council the registrar in writing to release him her from any further skills training obligation plus proof of payment of the application fee if my application is successful on receipt

undertaking letter format samples and how to write an undertaking - Jul 04 2023

web mar 15 2023 read on to find more about undertaking letter for payment undertaking agreement undertaking application for migration certificate get other types of letter writing like formal informal and different types of letter writing samples

get sample letter of undertaking for payment of school fees - Sep 25 2022

web complete sample letter of undertaking for payment of school fees online with us legal forms easily fill out pdf blank edit and sign them save or instantly send your ready documents

key dates for the 2020 21 nhl season nhl com - Mar 26 2023

web april 12 trade deadline 3 p m et may 8 regular season ends may 11 stanley cup playoffs begin july 15 last possible date for the stanley cup final july 21 nhl expansion draft seattle

nhl 2020 21 season plans latest on format timeline and - Jun 16 2022

web nov 2 2020 nhl 2020 21 season plans latest on format timeline and challenges espn when will the season start will it be a full 82 games will there be daily covid 19 testing bubbles we answer

nhl 2020 calendar forum consigncloud - Nov 21 2022

web schedule planner 2020 eat sleep hockey repeat calendar 2020 hockey player 2020 weekly planner its always a great day for hockey calendar 2020 hockey notebook ice hockey 2020 daily planner and appointment calendar 2020 this princess wears hockey skates 2020 motorcycle calendar and planner for bikers nhl 2020 calendar

[nhl weekly schedule daily faceoff](#) - Mar 14 2022

web oct 23 2023 get the latest 2023 season schedule for the national hockey league nhl every game and boxscore for the entire season is available from the first game of the preseason right up to the stanley cup final

[nhl schedule 2023 2024 season nhl com schedule](#) - May 16 2022

web national hockey league schedules by day week month and season team by team home and away plus network television info

2021 nhl playoffs stanley cup final schedule scores bracket - Apr 14 2022

web jul 8 2021 2021 nhl playoffs stanley cup final schedule scores bracket standings games tv channels everything you need to know for the 2021 nhl playoffs by shanna mccarriston

[2023 24 nhl schedule national hockey league cbssports com](#) - May 28 2023

web oct 30 2023 full schedule for the 2023 season including full list of matchups dates and time tv and ticket information find out the latest on your favorite national hockey league teams on cbssports com

nhl 2020 2021 schedule game day schedules - Aug 19 2022

web atlantic boston bruins buffalo sabres detroit red wings florida panthers montreal canadiens ottawa senators tampa bay lightning toronto maple leafs

[nhl schedule 2020 21 opening day and key dates released](#) - Jul 18 2022

web dec 23 2020 the late finish also forced the nhl to rework its calendar for 2020 21 including a cancellation of the 2021 all star game here s a look at the key dates opening night jan 13

nhl events 2019 20 nhl com - Feb 10 2022

web february 2020 the nhl celebrates black history month by honoring the past celebrating the present and inspiring the

future more info

when is the nhl draft 2020 new date time pick order more - Jan 12 2022

web oct 6 2020 when is the nhl draft 2020 after a lengthy postponement the nhl draft is officially a go for october alexis lafreniere quinton byfield and more will finally know where they will start their

nhl schedule 2022 23 season espn - Oct 09 2021

web nov 28 2010 the complete 2022 23 nhl season schedule on espn includes game times tv listings and ticket information for all nhl games

nhl 2020 calendar portal nivbook co il - Apr 26 2023

web 2 nhl 2020 calendar 2023 03 13 record the calendar and planner is designed for the full year of 2020 jan 1st 2020 to dec 31st 2020 full two page calendar spreads with numbered days mini calendars showing previous and next months days numbered for easy reference large format so each day will allow room for notes

2020 21 nhl season wikipedia - Jul 30 2023

web the 2020 21 nhl season was the 104th season of operation 103rd season of play of the national hockey league nhl due to the covid 19 pandemic the regular season was reduced to 56 games and began on january 13 2021

ex nhl player dies after getting slashed by skate during game in - Jan 24 2023

web oct 30 2023 adam johnson an american who played in 13 nhl games with the pittsburgh penguins in 2019 and 2020 died after his neck was cut by a skate blade during a game his team said

nhl schedules full calendar of the national hockey league - Nov 09 2021

web dec 7 2010 get the latest schedule for the national hockey league nhl every game and boxscore for the entire season is available from the first game of the preseason right up to the stanley cup final

amazon co uk nhl calendar 2020 - Feb 22 2023

web select the department you want to search in

nhl events 2020 21 nhl com - Oct 01 2023

web welcome to nhl com the official site of the national hockey league 2020 21 2019 20 2018 19 2017 18 2016 17 postponed nhl postpones winter classic all star weekend stadium series for

amazon com 2020 nhl calendar - Jun 28 2023

web 1 48 of 194 results for 2020 nhl calendar results turner sports nhl elite 2021 mini wall calendar 21998040614 5 0 out of 5 stars 11 94 11 94 free delivery mon aug 28 on 25 of items shipped by amazon only 1 left in stock order soon nhl

superstars 2020 mini calendar english and french edition french edition by trends international

rokt calendar nhl calreplyapp com - Sep 19 2022

web this is the official calendar for the nhl 2023 24 schedule click the add to calendar button to sync your favorite team s schedule to your digital calendar so you never miss a game schedule changes and post season will automatically sync to your device add to calendar upcoming events oct 18 2023

ex nhl player dies after freak accident during game in england - Dec 23 2022

web oct 30 2023 former nhl player adam johnson who played for the pittsburgh penguins from 2018 to 2020 died saturday after his throat was slashed during a game for his team the nottingham panthers in england

2024 nhl hockey calendars sports calendars com - Aug 31 2023

web 2024 nhl pro hockey calendars at sports calendars com we re thrilled to offer a curated selection of 2024 nhl hockey calendars tailored for avid fans like you whether you re seeking functional organization for your workspace or vibrant decor for your home our range includes desk pads desk calendars pocket planners wall calendars and

2023 24 nhl schedule and results hockey reference com - Oct 21 2022

web oct 10 2023 points leaders jack hughes 18 goals leaders alex debrincat 9 become a stathead surf this site ad free 2023 24 nhl season standings leaders schedule

2020 nhl entry draft wikipedia - Dec 11 2021

web the 2020 nhl entry draft was the 58th nhl entry draft held from october 6 7 2020 the draft was originally scheduled for june 26 27 2020 at the bell centre in montreal quebec but was postponed on march 25 2020 due to the covid 19 pandemic