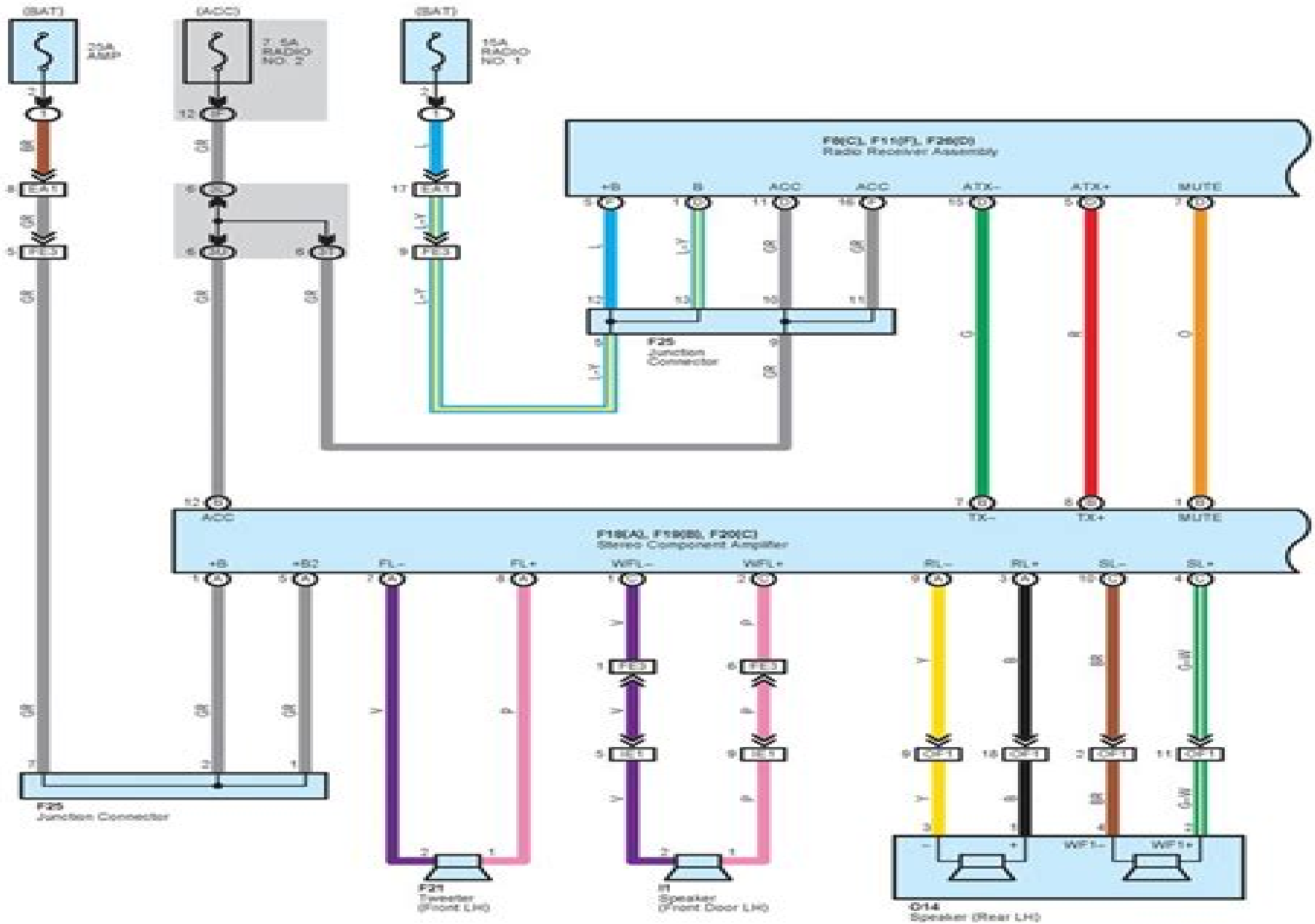


# Audio System with 8 Speaker without Navigation



# Radio Diagram 1989 Camry

**J Elliott**



**Radio Diagram 1989 Camry:**

Getting the books **Radio Diagram 1989 Camry** now is not type of inspiring means. You could not without help going bearing in mind books buildup or library or borrowing from your links to get into them. This is an certainly simple means to specifically get guide by on-line. This online proclamation Radio Diagram 1989 Camry can be one of the options to accompany you afterward having extra time.

It will not waste your time. assume me, the e-book will definitely publicize you extra situation to read. Just invest tiny time to contact this on-line broadcast **Radio Diagram 1989 Camry** as skillfully as evaluation them wherever you are now.

[https://crm.avenza.com/book/scholarship/Download\\_PDFS/Pltw\\_Purchase\\_Manual\\_2013.pdf](https://crm.avenza.com/book/scholarship/Download_PDFS/Pltw_Purchase_Manual_2013.pdf)

## **Table of Contents Radio Diagram 1989 Camry**

1. Understanding the eBook Radio Diagram 1989 Camry
  - The Rise of Digital Reading Radio Diagram 1989 Camry
  - Advantages of eBooks Over Traditional Books
2. Identifying Radio Diagram 1989 Camry
  - Exploring Different Genres
  - Considering Fiction vs. Non-Fiction
  - Determining Your Reading Goals
3. Choosing the Right eBook Platform
  - Popular eBook Platforms
  - Features to Look for in an Radio Diagram 1989 Camry
  - User-Friendly Interface
4. Exploring eBook Recommendations from Radio Diagram 1989 Camry
  - Personalized Recommendations
  - Radio Diagram 1989 Camry User Reviews and Ratings
  - Radio Diagram 1989 Camry and Bestseller Lists
5. Accessing Radio Diagram 1989 Camry Free and Paid eBooks

- Radio Diagram 1989 Camry Public Domain eBooks
  - Radio Diagram 1989 Camry eBook Subscription Services
  - Radio Diagram 1989 Camry Budget-Friendly Options
6. Navigating Radio Diagram 1989 Camry eBook Formats
    - ePub, PDF, MOBI, and More
    - Radio Diagram 1989 Camry Compatibility with Devices
    - Radio Diagram 1989 Camry Enhanced eBook Features
  7. Enhancing Your Reading Experience
    - Adjustable Fonts and Text Sizes of Radio Diagram 1989 Camry
    - Highlighting and Note-Taking Radio Diagram 1989 Camry
    - Interactive Elements Radio Diagram 1989 Camry
  8. Staying Engaged with Radio Diagram 1989 Camry
    - Joining Online Reading Communities
    - Participating in Virtual Book Clubs
    - Following Authors and Publishers Radio Diagram 1989 Camry
  9. Balancing eBooks and Physical Books Radio Diagram 1989 Camry
    - Benefits of a Digital Library
    - Creating a Diverse Reading Collection Radio Diagram 1989 Camry
  10. Overcoming Reading Challenges
    - Dealing with Digital Eye Strain
    - Minimizing Distractions
    - Managing Screen Time
  11. Cultivating a Reading Routine Radio Diagram 1989 Camry
    - Setting Reading Goals Radio Diagram 1989 Camry
    - Carving Out Dedicated Reading Time
  12. Sourcing Reliable Information of Radio Diagram 1989 Camry
    - Fact-Checking eBook Content of Radio Diagram 1989 Camry
    - Distinguishing Credible Sources
  13. Promoting Lifelong Learning
    - Utilizing eBooks for Skill Development

- Exploring Educational eBooks
- ### 14. Embracing eBook Trends
- Integration of Multimedia Elements
  - Interactive and Gamified eBooks

### **Radio Diagram 1989 Camry Introduction**

In the digital age, access to information has become easier than ever before. The ability to download Radio Diagram 1989 Camry has revolutionized the way we consume written content. Whether you are a student looking for course material, an avid reader searching for your next favorite book, or a professional seeking research papers, the option to download Radio Diagram 1989 Camry has opened up a world of possibilities. Downloading Radio Diagram 1989 Camry provides numerous advantages over physical copies of books and documents. Firstly, it is incredibly convenient. Gone are the days of carrying around heavy textbooks or bulky folders filled with papers. With the click of a button, you can gain immediate access to valuable resources on any device. This convenience allows for efficient studying, researching, and reading on the go. Moreover, the cost-effective nature of downloading Radio Diagram 1989 Camry has democratized knowledge. Traditional books and academic journals can be expensive, making it difficult for individuals with limited financial resources to access information. By offering free PDF downloads, publishers and authors are enabling a wider audience to benefit from their work. This inclusivity promotes equal opportunities for learning and personal growth. There are numerous websites and platforms where individuals can download Radio Diagram 1989 Camry. These websites range from academic databases offering research papers and journals to online libraries with an expansive collection of books from various genres. Many authors and publishers also upload their work to specific websites, granting readers access to their content without any charge. These platforms not only provide access to existing literature but also serve as an excellent platform for undiscovered authors to share their work with the world. However, it is essential to be cautious while downloading Radio Diagram 1989 Camry. Some websites may offer pirated or illegally obtained copies of copyrighted material. Engaging in such activities not only violates copyright laws but also undermines the efforts of authors, publishers, and researchers. To ensure ethical downloading, it is advisable to utilize reputable websites that prioritize the legal distribution of content. When downloading Radio Diagram 1989 Camry, users should also consider the potential security risks associated with online platforms. Malicious actors may exploit vulnerabilities in unprotected websites to distribute malware or steal personal information. To protect themselves, individuals should ensure their devices have reliable antivirus software installed and validate the legitimacy of the websites they are downloading from. In conclusion, the ability to download Radio Diagram 1989 Camry has transformed the way we access information. With the convenience, cost-effectiveness, and accessibility it offers,

free PDF downloads have become a popular choice for students, researchers, and book lovers worldwide. However, it is crucial to engage in ethical downloading practices and prioritize personal security when utilizing online platforms. By doing so, individuals can make the most of the vast array of free PDF resources available and embark on a journey of continuous learning and intellectual growth.

### FAQs About Radio Diagram 1989 Camry Books

1. Where can I buy Radio Diagram 1989 Camry books? Bookstores: Physical bookstores like Barnes & Noble, Waterstones, and independent local stores. Online Retailers: Amazon, Book Depository, and various online bookstores offer a wide range of books in physical and digital formats.
2. What are the different book formats available? Hardcover: Sturdy and durable, usually more expensive. Paperback: Cheaper, lighter, and more portable than hardcovers. E-books: Digital books available for e-readers like Kindle or software like Apple Books, Kindle, and Google Play Books.
3. How do I choose a Radio Diagram 1989 Camry book to read? Genres: Consider the genre you enjoy (fiction, non-fiction, mystery, sci-fi, etc.). Recommendations: Ask friends, join book clubs, or explore online reviews and recommendations. Author: If you like a particular author, you might enjoy more of their work.
4. How do I take care of Radio Diagram 1989 Camry books? Storage: Keep them away from direct sunlight and in a dry environment. Handling: Avoid folding pages, use bookmarks, and handle them with clean hands. Cleaning: Gently dust the covers and pages occasionally.
5. Can I borrow books without buying them? Public Libraries: Local libraries offer a wide range of books for borrowing. Book Swaps: Community book exchanges or online platforms where people exchange books.
6. How can I track my reading progress or manage my book collection? Book Tracking Apps: Goodreads, LibraryThing, and Book Catalogue are popular apps for tracking your reading progress and managing book collections. Spreadsheets: You can create your own spreadsheet to track books read, ratings, and other details.
7. What are Radio Diagram 1989 Camry audiobooks, and where can I find them? Audiobooks: Audio recordings of books, perfect for listening while commuting or multitasking. Platforms: Audible, LibriVox, and Google Play Books offer a wide selection of audiobooks.
8. How do I support authors or the book industry? Buy Books: Purchase books from authors or independent bookstores. Reviews: Leave reviews on platforms like Goodreads or Amazon. Promotion: Share your favorite books on social media

or recommend them to friends.

9. Are there book clubs or reading communities I can join? Local Clubs: Check for local book clubs in libraries or community centers. Online Communities: Platforms like Goodreads have virtual book clubs and discussion groups.
10. Can I read Radio Diagram 1989 Camry books for free? Public Domain Books: Many classic books are available for free as they're in the public domain. Free E-books: Some websites offer free e-books legally, like Project Gutenberg or Open Library.

### **Find Radio Diagram 1989 Camry :**

*pltw purchase manual 2013*

**pmp study guide 5th edition**

playstation vita wifi vs 3g

pocket rocket guide atlanta

**pmp study guide 2015**

**playstation 3d tv review cnet**

*ple platoweb answer personal finance*

**playstation repair guide**

ple-s5 manual

**playstation 3 wiring diagram**

plongeacutee fatale heure noire rouge

pmbok 4th edition barnes and noble

*please find the attached report*

*pmp exam success series bootcamp manual with exam sim application*

plumbers helper exam 4039 study guid nyc

### **Radio Diagram 1989 Camry :**

mengenang mobil klasik daihatsu dari zebra hingga ceria - Feb 01 2022

**review spesifikasi kelebihan kekurangan daihatsu taruna - Sep 20 2023**

sep 28 2018 mesin daihatsu taruna sebenarnya berbeda pada masing masing varian pada varian awal daihatsu taruna masih



menggunakan karburator namun seiring

*ulasan pengguna daihatsu taruna ketangguhan mesin taruna - Dec 11 2022*

jual mesin daihatsu taruna online terbaru harga murah promo diskon di blibli com belanja di blibli com dengan fasilitas belanja online terbaik dengan gratis ongkir produk

**kelebihan dan kekurangan daihatsu taruna topgir - May 04 2022**

siyah 569 500 tl toplam 2 sayfa içerisinde 1 sayfayı görmektesiniz 1 2 sonraki tarsus otomotiv İkinci el araba satılık sıfır otomobil fiyatları teknik özellikleri araç kiralama

**estimasi total biaya turun mesin mobil daihatsu taruna - Apr 03 2022**

jun 15 2014 letak nomor mesin rangka daihatsu taruna full video ansab chan 3 27k subscribers subscribe 19k views 8 years ago informasi letak nomor mesin dan nomor

spesifikasi mesin daihatsu taruna pintermekanik - Aug 19 2023

daihatsu taruna adalah mobil dari pabrik daihatsu untuk segmen small suv di indonesia yang menggantikan daihatsu feroza mulai diperkenalkan pada tahun 1999 dan dibuat berdasarkan platform daihatsu terios generasi pertama pt astra daihatsu motor mengganti mesin seri k3 1300 cc dengan tipe he hd 1500 1600 cc menambah jarak sumbu roda mobil menjadi dua ukuran me

ini dia kelebihan dan kekurangan mobil taruna - Nov 10 2022

jul 13 2022 mesin daihatsu taruna bisa diandalkan mesin daihatsu taruna dengan teknologi injeksi selama meramaikan kancah otomotif tanah air tercatat daihatsu taruna ini

kelebihan dan kekurangan daihatsu taruna - May 16 2023

jan 16 2022 pada 2021 pt astra daihatsu motor adm meluncurkan taruna f series sebagai pelengkap dengan dimensi bodi yang lebih panjang agar bisa muat 7 penumpang

**mersin tarsus tarsus otomotiv vasita ilanları - Dec 31 2021**

**berburu mobil bekas daihatsu taruna segini kisaran harganya - Feb 13 2023**

mesin daihatsu taruna jenis mesin hd c 1 6 liter dengan karburator tenaga max 94 hp 5 700 rpm rotation per minute tenaga max 127 nm 4 800 rpm rotation per minute jenis

**daihatsu taruna suv pertama daihatsu modern dan tuai pujian - Mar 14 2023**

nov 13 2020 taruna harga review pengguna faqs bekas lainnya ketangguhan mesin taruna 5 5 istimewa 73 kali dilihat ketangguhan daihatsu taruna jangan diragukan lagi

*daihatsu - Mar 02 2022*

tosun best grup tarafından üretilen türk yapımı bir zırlı yükleyicidir araç best grup ve Çimsataş ile ortak olarak geliştirilmiştir araç türkiye nin güneydoğusunda yüksekova

**mesin daihatsu taruna efi pintermekanik** - Jul 18 2023

may 15 2023 1 mesin daihatsu taruna bisa diandalkan 2 konsumsi BBM daihatsu taruna dengan mesin injeksi terbilang irit 3 suspensi daihatsu taruna lebih nyaman dibanding

**dmu dīzel tren set türkiye raylı sistem araçları sanayi a ş** - Jun 05 2022

7 hours ago daihatsu taruna daihatsu taruna merupakan mobil SUV yang diproduksi oleh daihatsu sejak tahun 1999 hingga 2006 mobil ini memiliki desain yang tangguh dan cocok

daihatsu taruna wikipedia bahasa indonesia ensiklopedia bebas - Jun 17 2023

jun 4 2020 awal kemunculannya taruna banyak mendapat pujian walau mesin yang digunakannya masih sama seperti milik feroza pasokan bahan bakar karburator

*tosun iş makinesi vikipedi* - Oct 29 2021

jual mesin daihatsu taruna terbaru harga murah blibli.com - Aug 07 2022

jul 10 2019 biaya turun mesin akan berbeda beda tergantung tingkat kerusakan dengan adanya penjelasan dan detail bagian apa saja di mobil anda yang perlu diganti akan lebih

*harga blok mesin daihatsu taruna pintermekanik* - Jul 06 2022

değerli daihatsu sever daihatsu japonya tarafından alınan karara istinaden 2012 yılından beri türkiye de sıfır araç satışıımız maalesef yoktur satış sonrası ve yedek parça hizmetimiz

**review spesifikasi daihatsu taruna komplet ahli machine** - Oct 09 2022

dmu dīzel tren set tren seti temel konfigurasyonu DM M DM şeklinde 3 araçtan oluşmaktadır 3 araçlı bir tren setine M vagonu ilave edildiğinde 4 araçlı 5 araçlı veya 6 araçlı

letak nomor mesin rangka daihatsu taruna full video - Nov 29 2021

**perbandingan daihatsu taruna vs toyota kijang rangka mpv** - Jan 12 2023

may 17 2022 mesin daihatsu taruna bisa diandalkan mesin daihatsu taruna dengan teknologi injeksiselama meramaikan kancah otomotif tanah air tercatat daihatsu taruna ini

**spesifikasi daihatsu taruna cx 2000 pintermekanik** - Sep 08 2022

nov 17 2022 mesin karburator 1 6 liter HD C injeksi 1 6 liter HD E dan injeksi 1 5 liter HE E tenaga 94 hp 5 700 rpm HD C 103 hp 6 000 rpm HD E 98 hp 5 800

kelebihan dan kekurangan daihatsu taruna motorbutut - Apr 15 2023

sep 25 2023 spesifikasi daihatsu taruna menang tenaga dari kijang rangga meskipun kapasitas mesin daihatsu taruna ini lebih kecil 200 cc daripada kijang rangga namun

mapa michelin osuna plano osuna viamichelin - Dec 29 2022

web encuentra en viamichelin los planos detallados de españa andalucía sevilla ruinas de itálica con toda la información del tráfico además de poder reservar un alojamiento o

**plano sevilla planos michelin help environment harvard edu** - Mar 20 2022

web plano sevilla planos michelin catálogo metódico de la biblioteca nacional sep 20 2020 spain jun 10 2022 catalogo general de la libreria español e hispanoamericana

**plano sevilla planos michelin db csda org** - Dec 17 2021

mapa michelin ruinas de itálica plano ruinas de itálica - Nov 27 2022

web encuentra todas las informaciones prácticas para recorrer sevilla a pie en coche o en bicicleta el plano michelin sevilla a escala 1 10 000 1cm 100m es ideal para

*plano sevilla planos michelin pdf sgsbenelux internalpublications* - Apr 20 2022

web less latency era to download any of our books in imitation of this one merely said the plano sevilla planos michelin is universally compatible gone any devices to read otherness

**carte michelin séville plan séville viamichelin** - Feb 28 2023

web vous avez également la possibilité de consulter et de réserver l un des hôtels de la sélection du guide michelin la carte michelin séville plan de ville carte routière et carte

*plano sevilla by michelin goodreads* - Oct 27 2022

web el plano michelin sevilla a escala 1 10 000 1cm 100m es ideal para recorrer los barrios de la ciudad para completar la información incluye transportes sentidos de

*plano sevilla michelin 9782067236981 amazon com books* - May 02 2023

web mar 18 2019 el plano michelin sevilla a escala 1 10 000 1cm 100m es ideal para recorrer los barrios de la ciudad para completar la información incluye transportes

mapas planos de ciudad mapas de carretera viamichelin - Aug 05 2023

web viamichelin te ofrece todos los mapas de españa de europa y del mundo mapas atlas de carreteras planos de centros urbanos mapas por direcciones planos de las afueras

**download stadtplan sevilla mapz com** - Jul 24 2022

web viamichelin zeigt ihnen die genaue entfernung zwischen italien und sevilla je nach der gewählten fahrstrecke  
viamichelin unterstützt sie bei der ermittlung der für sie besten

*plano sevilla michelin 9782067236981 abebooks* - Apr 01 2023

web in addition to michelin s clear and accurate mapping this city plan will help you explore and navigate across sevilla s  
different districts thanks to its full index its comprehensive key

**plano plegable sevilla city plans planos michelin** - Aug 25 2022

web für sevilla spanien verzeichnet unser stadtplan 2 278 km straße und wege wollten sie diese strecke erwandern wären sie  
rund 71 tage unterwegs gesetzt den fall sie

**plano sevilla michelin 9782067127869 abebooks** - Jan 18 2022

web plano sevilla planos michelin 3 3 disempowered female or minor as well as the other of different sexual orientation and  
or ideology following octavio paz otherness is

ebook plano sevilla planos michelin - Feb 16 2022

web in addition to michelin s clear and accurate mapping this city plan will help you explore and navigate across sevilla s  
different districts thanks to its full index its comprehensive key

**mapa michelin sevilla plano sevilla viamichelin** - Sep 06 2023

web buscas el mapa o el plano de sevilla y sus alrededores encuentra la dirección que te interesa en el mapa de sevilla o  
prepara un cálculo de ruta desde o hacia sevilla

*viamichelin* - Jul 04 2023

web we would like to show you a description here but the site won t allow us

**sevilla michelin city plan 74 city plans planos michelin** - Jan 30 2023

web sevilla michelin city plan 74 city plans planos michelin michelin isbn 9782067236981 kostenloser versand für alle bücher  
mit versand und verkauf duch

**routenplaner italien sevilla strecke entfernung dauer und** - Jun 22 2022

web plano sevilla planos michelin downloaded from helpdesk bricksave com by guest nathan walls lonely planet rome  
independently published guidebook to the

**plano sevilla city plans planos michelin amazon es** - Jun 03 2023

web el plano michelin sevilla a escala 1 10 000 1cm 100m es ideal para recorrer los barrios de la ciudad para completar la  
información incluye transportes sentidos de

*mapa michelin sevilla plano sevilla viamichelin* - Oct 07 2023

web buscas el mapa o el plano de sevilla y sus alrededores encuentra la dirección que te interesa en el mapa de sevilla o

prepara un cálculo de ruta desde o hacia sevilla

**plano sevilla 2019 michelin callejero librería el Águila** - Sep 25 2022

web el plano michelin sevilla a escala 1 10 000 1cm 100m es ideal para recorrer los barrios de la ciudad para completar la información incluye transportes sentidos de

*plano sevilla planos michelin helpdesk bricksave com* - May 22 2022

web enter the realm of plano sevilla planos michelin a mesmerizing literary masterpiece penned with a distinguished author guiding readers on a profound journey to unravel the

**perimeter area and volume worksheets cuemath** - Jul 02 2022

web the perimeter area and volume worksheets cover interactive exercises and problems focused on promoting understanding of the area volume and perimeter of various shapes and their attributes they are an excellent way of encouraging active learning in kids for mathematical problem solving

*area perimeter word problems teaching resources wordwall* - Apr 30 2022

web area perimeter word problems examples from our community 10000 results for area perimeter word problems perimeter and area complex word problems quiz by rosalie24mercad area and perimeter problem solving and word problems quiz by rosalie24mercad perimeter area open the box by karensparktutor word

volume perimeter area word problems written by year 5 - Dec 07 2022

web jul 7 2018 volume perimeter area word problems written by year 5 subject mathematics age range 7 11 resource type worksheet activity

perimeter area and volume short problems nrich - Jul 14 2023

web perimeter area and volume short problems this is part of our collection of short problems you may also be interested in our longer problems on perimeter area and volume age 11 14 and age 14 16 printable worksheets containing selections of these problems are available here star in a hexagon age 11 to 14 short challenge level

**what is different about geometry word problems purplemath** - Oct 05 2022

web the basic formulas you should know include the formulas for the area and perimeter or circumference of squares rectangles triangles and circles and the surface areas and volumes of cubes rectangular solids that is brick shaped objects spheres and cylinders

*perimeter area and volume word problems quizizz* - Mar 30 2022

web perimeter area and volume word problems quiz for 6th grade students find other quizzes for mathematics and more on quizizz for free

**perimeter area and volume lesson article khan academy** - Mar 10 2023

web what are perimeter area and volume the perimeter purplec p p of a polygon is the total length around the polygon s edges when we add up all the side lengths of a polygon we get its perimeter for the figure below the perimeter is purplec p  
blued s 1 greend s 2 maroond s 3 golde s 4 p s1 s2 s3 s4

*perimeter and area word problems teaching resources wordwall* - Dec 27 2021

web 10000 results for perimeter and area word problems perimeter and area complex word problems quiz by rosalie24mercad area and perimeter problem solving and word problems quiz by rosalie24mercad area and perimeter 1 quiz by dylan9 area and perimeter gameshow quiz by khoran1

**area and perimeter word problems onlinemath4all** - Jan 28 2022

web solution let x be the width of the rectangle then its length is  $3x + 4$  perimeter of the rectangle is 32 cm 2 l w 32 l w 16  $3x + 4$  x 16  $4x + 16$   $4x + 20$  x 5 and length of the rectangle is 3 5 4 15 4 11 cm formula for area of a rectangle l w 11 5 area 55 cm<sup>2</sup> problem 2

**area perimeter of rectangles word problems khan academy** - Jan 08 2023

web area perimeter of rectangles word problems google classroom margo wants to build a rectangular fence around her garden and she has 24 24 meters of wood which of these dimensions will give margo the largest area choose 1 answer 8 8 meters by 4 4 meters a 8 8 meters by 4 4 meters 10 10 meters by 2 2 meters b 10 10 meters by 2 2 meters

area perimeter and volume word problems 5th grade math ixl - May 12 2023

web 0 work it out not feeling ready yet these can help area of squares and rectangles perimeter with whole number side lengths volume of cubes and rectangular prisms lesson volume of rectangular prisms lesson area of rectangles lesson perimeter get extra support from an expert tutor

**175 top word problems area perimeter volume teaching** - Jun 01 2022

web explore more than 175 word problems area perimeter volume resources for teachers parents and pupils pagination div class paginate span class active page item 1 span a class page item href search q word problems area perimeter volume c 244 r parent page 2 next a

results for area perimeter volume word problems tpt - Feb 26 2022

web this activity is perfect for your students to practice solving for perimeter area and volume in word problems these word problems include both single and multi step problems as well as decimals and fractions student directions read the information given in

*area and perimeter word problems practice khan academy* - Aug 15 2023

web area and perimeter word problems va math 6 7 c google classroom a restaurant has a rectangular patio section that is 8 8 meters wide by 6 6 meters long they want to use fencing to enclose the patio how much fencing will they need to go around

their new patio meters stuck review related articles videos or use a hint report a problem x

**volume and surface area geometry all content khan academy** - Apr 11 2023

web about this unit volume and surface area help us measure the size of 3d objects we ll start with the volume and surface area of rectangular prisms from there we ll tackle trickier objects such as cones and spheres

**perimeter area volume ks3 maths bbc bitesize** - Nov 06 2022

web part of 11 learner guides perimeter learn about perimeters and how to calculate the perimeter of a simple shape with this bbc bitesize maths article for students between the ages of 11

**area perimeter volume problem solving flashcards quizlet** - Sep 04 2022

web word problems students can solve to find the area perimeter and volume terms in this set 27 area 2 400 square inches brittany is making a curtain to cover the window the window is 40 inches long and 60 inches wide how much material does brittany need to buy volume 60 cubic inches

**area perimeter and volume liveworksheets com** - Jun 13 2023

web id 410496 language english school subject math grade level 6 age 10 11 main content word problems other contents calculate area perimeter and volume add to my workbooks 10 add to google classroom add to microsoft teams share through whatsapp

**worksheet on area and perimeter word problems answers** - Aug 03 2022

web in worksheet on area and perimeter worksheet we will find the perimeter of a plane closed shape perimeter of a triangle perimeter of a square perimeter of a rectangle area of a square area of rectangle word problems on perimeter of square word problems on perimeter of rectangle and word problems on area of square and problems on area of

**perimeter and area word problems worksheets easy teacher** - Feb 09 2023

web these worksheets explain how to solve word problems involving area and perimeter sample problems are solved and practice problems are provided some problems may require students to create their own diagrams in order to visualize the problem so additional blank paper may be required