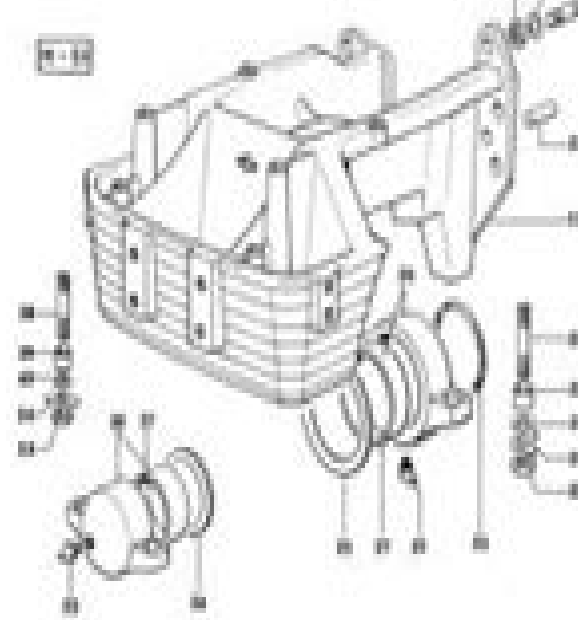
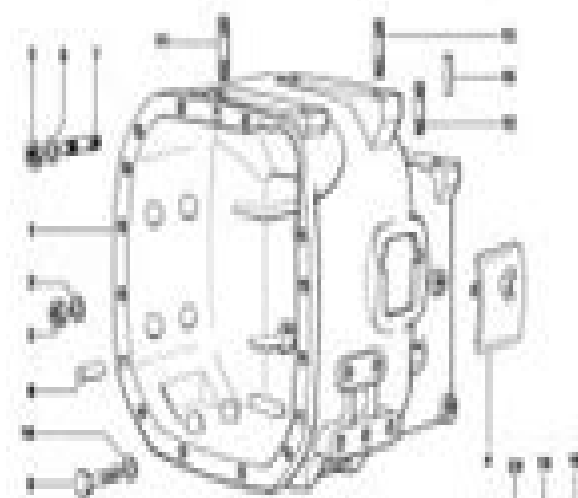


- ▼ Home
- ▼ REAR VIEW
- ▼ FRONT VIEW
- ▼ GENERAL
 - ▼ JUNCTION CASE AND HOUSING
 - ▼ J40 - EXTENSIBLE HOUSING
 - ▼ J40 - EXTENSIBLE HOUSING
 - ▼ J40 - EXTENSIBLE HOUSING
 - ▼ J40 - FRONT DRIVE HOUSING
 - ▼ J40 - FRONT DRIVE HOUSING
 - ▼ J40 - OPERATIONAL (J40)
 - ▼ J40 - ACCESSORIES (J40)
 - ▼ J40 - ACCESSORIES (J40)
 - ▼ J40 - TRANSMISSION (J40)



REAR VIEW

Section FRONT VIEW
JUNCTION CASE AND FRONT SUPPORT

Ref. 04.00.1

QTY	REF.	QTY	DESCR.
21	0 101 101.0	1	Support in Fig 1 and
22	0 100 001.0	1	Support and
23	0 101 001.1	2	nut in Fig 1.0 and
24	0 100 010.0	2	lock nut 1/2x1.0 and
25	0 100 010.0	2	splitting ring 1/2 x 1.0
26	0 100 010.0	1	Support and
27	0 100 010.0	1	Support 1/2 x 1.0 and
28	0 100 010.7	2	lock nut in Fig 1.0-1 and
29	0 100 010.0	2	Support 1/2x1.0 and
30	0 100 010.0	2	Support 1/2x1.0 and
31	0 100 011.0	2	lock nut 1/2x1.0 and
32	0 101 101.1	2	nut in Fig 1.0 and
33	0 100 010.0	1	Support 1/2x1.0 and
34	0 100 010.0	1	Support 1/2x1.0 and
35	0 100 010.0	1	Support 1/2x1.0 and
36	0 100 010.0	1	Support 1/2x1.0 and
37	0 100 010.0	1	Support 1/2x1.0 and
38	0 100 010.7	2	lock nut in Fig 1.0-1 and
39	0 100 010.0	2	Support 1/2x1.0 and
40	0 100 010.0	2	Support and

Same Minitauro 60 Parts

VM Jensen



Same Minitauro 60 Parts:

Wallaces Farmer ,1977 Journal ,1978 *Implement & Tractor Red Book* ,1977 The New Zealand Journal of Agriculture ,1978 The South African Sugar Journal ,1975

Immerse yourself in the artistry of words with Experience Art with its expressive creation, Immerse Yourself in **Same Minitauro 60 Parts** . This ebook, presented in a PDF format (PDF Size: *), is a masterpiece that goes beyond conventional storytelling. Indulge your senses in prose, poetry, and knowledge. Download now to let the beauty of literature and artistry envelop your mind in a unique and expressive way.

https://crm.avenza.com/results/virtual-library/fetch.php/overview_of_cellular_respiration_and_fermentation_worksheet_answers.pdf

Table of Contents Same Minitauro 60 Parts

1. Understanding the eBook Same Minitauro 60 Parts
 - The Rise of Digital Reading Same Minitauro 60 Parts
 - Advantages of eBooks Over Traditional Books
2. Identifying Same Minitauro 60 Parts
 - Exploring Different Genres
 - Considering Fiction vs. Non-Fiction
 - Determining Your Reading Goals
3. Choosing the Right eBook Platform
 - Popular eBook Platforms
 - Features to Look for in an Same Minitauro 60 Parts
 - User-Friendly Interface
4. Exploring eBook Recommendations from Same Minitauro 60 Parts
 - Personalized Recommendations
 - Same Minitauro 60 Parts User Reviews and Ratings
 - Same Minitauro 60 Parts and Bestseller Lists
5. Accessing Same Minitauro 60 Parts Free and Paid eBooks
 - Same Minitauro 60 Parts Public Domain eBooks
 - Same Minitauro 60 Parts eBook Subscription Services

- Same Minitauro 60 Parts Budget-Friendly Options
- 6. Navigating Same Minitauro 60 Parts eBook Formats
 - ePub, PDF, MOBI, and More
 - Same Minitauro 60 Parts Compatibility with Devices
 - Same Minitauro 60 Parts Enhanced eBook Features
- 7. Enhancing Your Reading Experience
 - Adjustable Fonts and Text Sizes of Same Minitauro 60 Parts
 - Highlighting and Note-Taking Same Minitauro 60 Parts
 - Interactive Elements Same Minitauro 60 Parts
- 8. Staying Engaged with Same Minitauro 60 Parts
 - Joining Online Reading Communities
 - Participating in Virtual Book Clubs
 - Following Authors and Publishers Same Minitauro 60 Parts
- 9. Balancing eBooks and Physical Books Same Minitauro 60 Parts
 - Benefits of a Digital Library
 - Creating a Diverse Reading Collection Same Minitauro 60 Parts
- 10. Overcoming Reading Challenges
 - Dealing with Digital Eye Strain
 - Minimizing Distractions
 - Managing Screen Time
- 11. Cultivating a Reading Routine Same Minitauro 60 Parts
 - Setting Reading Goals Same Minitauro 60 Parts
 - Carving Out Dedicated Reading Time
- 12. Sourcing Reliable Information of Same Minitauro 60 Parts
 - Fact-Checking eBook Content of Same Minitauro 60 Parts
 - Distinguishing Credible Sources
- 13. Promoting Lifelong Learning
 - Utilizing eBooks for Skill Development
 - Exploring Educational eBooks
- 14. Embracing eBook Trends

- Integration of Multimedia Elements
- Interactive and Gamified eBooks

Same Minitauro 60 Parts Introduction

Free PDF Books and Manuals for Download: Unlocking Knowledge at Your Fingertips In today's fast-paced digital age, obtaining valuable knowledge has become easier than ever. Thanks to the internet, a vast array of books and manuals are now available for free download in PDF format. Whether you are a student, professional, or simply an avid reader, this treasure trove of downloadable resources offers a wealth of information, conveniently accessible anytime, anywhere. The advent of online libraries and platforms dedicated to sharing knowledge has revolutionized the way we consume information. No longer confined to physical libraries or bookstores, readers can now access an extensive collection of digital books and manuals with just a few clicks. These resources, available in PDF, Microsoft Word, and PowerPoint formats, cater to a wide range of interests, including literature, technology, science, history, and much more. One notable platform where you can explore and download free Same Minitauro 60 Parts PDF books and manuals is the internet's largest free library. Hosted online, this catalog compiles a vast assortment of documents, making it a veritable goldmine of knowledge. With its easy-to-use website interface and customizable PDF generator, this platform offers a user-friendly experience, allowing individuals to effortlessly navigate and access the information they seek. The availability of free PDF books and manuals on this platform demonstrates its commitment to democratizing education and empowering individuals with the tools needed to succeed in their chosen fields. It allows anyone, regardless of their background or financial limitations, to expand their horizons and gain insights from experts in various disciplines. One of the most significant advantages of downloading PDF books and manuals lies in their portability. Unlike physical copies, digital books can be stored and carried on a single device, such as a tablet or smartphone, saving valuable space and weight. This convenience makes it possible for readers to have their entire library at their fingertips, whether they are commuting, traveling, or simply enjoying a lazy afternoon at home. Additionally, digital files are easily searchable, enabling readers to locate specific information within seconds. With a few keystrokes, users can search for keywords, topics, or phrases, making research and finding relevant information a breeze. This efficiency saves time and effort, streamlining the learning process and allowing individuals to focus on extracting the information they need. Furthermore, the availability of free PDF books and manuals fosters a culture of continuous learning. By removing financial barriers, more people can access educational resources and pursue lifelong learning, contributing to personal growth and professional development. This democratization of knowledge promotes intellectual curiosity and empowers individuals to become lifelong learners, promoting progress and innovation in various fields. It is worth noting that while accessing free Same Minitauro 60 Parts PDF books and manuals is convenient and cost-effective, it is vital to respect

copyright laws and intellectual property rights. Platforms offering free downloads often operate within legal boundaries, ensuring that the materials they provide are either in the public domain or authorized for distribution. By adhering to copyright laws, users can enjoy the benefits of free access to knowledge while supporting the authors and publishers who make these resources available. In conclusion, the availability of Same Minitauro 60 Parts free PDF books and manuals for download has revolutionized the way we access and consume knowledge. With just a few clicks, individuals can explore a vast collection of resources across different disciplines, all free of charge. This accessibility empowers individuals to become lifelong learners, contributing to personal growth, professional development, and the advancement of society as a whole. So why not unlock a world of knowledge today? Start exploring the vast sea of free PDF books and manuals waiting to be discovered right at your fingertips.

FAQs About Same Minitauro 60 Parts Books

1. Where can I buy Same Minitauro 60 Parts books? Bookstores: Physical bookstores like Barnes & Noble, Waterstones, and independent local stores. Online Retailers: Amazon, Book Depository, and various online bookstores offer a wide range of books in physical and digital formats.
2. What are the different book formats available? Hardcover: Sturdy and durable, usually more expensive. Paperback: Cheaper, lighter, and more portable than hardcovers. E-books: Digital books available for e-readers like Kindle or software like Apple Books, Kindle, and Google Play Books.
3. How do I choose a Same Minitauro 60 Parts book to read? Genres: Consider the genre you enjoy (fiction, non-fiction, mystery, sci-fi, etc.). Recommendations: Ask friends, join book clubs, or explore online reviews and recommendations. Author: If you like a particular author, you might enjoy more of their work.
4. How do I take care of Same Minitauro 60 Parts books? Storage: Keep them away from direct sunlight and in a dry environment. Handling: Avoid folding pages, use bookmarks, and handle them with clean hands. Cleaning: Gently dust the covers and pages occasionally.
5. Can I borrow books without buying them? Public Libraries: Local libraries offer a wide range of books for borrowing. Book Swaps: Community book exchanges or online platforms where people exchange books.
6. How can I track my reading progress or manage my book collection? Book Tracking Apps: Goodreads, LibraryThing, and Book Catalogue are popular apps for tracking your reading progress and managing book collections. Spreadsheets: You can create your own spreadsheet to track books read, ratings, and other details.

7. What are Same Minitauro 60 Parts audiobooks, and where can I find them? Audiobooks: Audio recordings of books, perfect for listening while commuting or multitasking. Platforms: Audible, LibriVox, and Google Play Books offer a wide selection of audiobooks.
8. How do I support authors or the book industry? Buy Books: Purchase books from authors or independent bookstores. Reviews: Leave reviews on platforms like Goodreads or Amazon. Promotion: Share your favorite books on social media or recommend them to friends.
9. Are there book clubs or reading communities I can join? Local Clubs: Check for local book clubs in libraries or community centers. Online Communities: Platforms like Goodreads have virtual book clubs and discussion groups.
10. Can I read Same Minitauro 60 Parts books for free? Public Domain Books: Many classic books are available for free as they're in the public domain. Free E-books: Some websites offer free e-books legally, like Project Gutenberg or Open Library.

Find Same Minitauro 60 Parts :

~~overview of cellular respiration and fermentation worksheet answers~~

overcoming ocd a journey to recovery

osha floor marking guide for printing

~~ourika english edition~~

overview radioactivity and nuclear reactions worksheet answers

oster bread machine model 5838 manual

oskin dodge grand caravan 2008 service manual

oster model 5858 breadmaker manual

ot progress note with g codes

out solar system studyguide awnser

~~owner manual book mazda familia~~

osmosis jones movie questions and answers

oster 5711 mechanical food steamer manual

outlander 80service manual

ovation cc28 hby guitars owners manual

Same Minitauro 60 Parts :

central issues in jurisprudence justice law and rights - May 31 2023

web concerning itself with the nature of law and legal reasoning and with the concepts of justice and individual rights jurisprudence seeks to set legal ideas in the wider context of moral and political theory to study jurisprudence properly you need to read books by such authors as rawls nozick hart and dworkin

central issues in jurisprudence justice law and rights - Feb 25 2023

web central issues in jurisprudence is a clear introduction to the major theories and arguments which currently dominate discussion in jurisprudence the work enables readers to read the original writers with a real understanding of how the theories relate to each other and how these theories cluster around certain fundamental issues

central issues in jurisprudence justice law and rights by n e - Aug 02 2023

web jan 16 2009 central issues in jurisprudence justice law and rights by n e simmonds london sweet maxwell 1986 xi 152 and index 3 pp hardback 17 00 paperback 8 95 net

central issues in jurisprudence justice law and ri pdf - Apr 17 2022

web notice central issues in jurisprudence justice law and ri as with ease as review them wherever you are now strengthening forensic science in the united states national research council 2009 07 29

jurisprudence cambridge university press assessment - Feb 13 2022

web ruhl jb 1996 a the fitness of law using complexity theory to describe the evolution of law and society and its practical meaning for democracy 49 vanderbilt law review 1407 90 ruhl jb 1996 b complexity theory as a paradigm for the dynamical law and society system a wake up call for legal reductionism and the modern administrative

central issues in jurisprudence justice laws and rights - Apr 29 2023

web central issues in jurisprudence justice laws and rights central issues in jurisprudence nigel e simmonds sweet maxwell 2013 jurisprudence 343 pages central issues in jurisprudence is a clear introduction to the major theories and arguments which currently dominate discussion in jurisprudence

central issues in jurisprudence by n e simmonds open library - Nov 24 2022

web dec 7 2022 created by marc bot imported from library of congress marc record central issues in jurisprudence by n e simmonds 2013 sweet maxwell edition in english fourth edition

central issues in jurisprudence justice law and rights - Oct 24 2022

web jan 24 2013 for law students this is a great text to start off your journey in jurisprudence as it s concisely written and gives a good overview of examinable topics the only downside to this book that although like i said it s concisely written and to the point the language used isn t the most accessible and easy to understand even for english students let

[download free central issues in jurisprudence justice law and ri](#) - Jul 21 2022

web central issues in jurisprudence mar 03 2023 concerning itself with the nature of law and legal reasoning and with the concepts of justice and individual rights jurisprudence seeks to set legal ideas in the wider context of moral and political theory

central issues in jurisprudence justice laws and rights - Mar 29 2023

web central issues in jurisprudence justice laws and rights n e simmonds central issues in jurisprudence is a clear introduction to the major theories and arguments which currently dominate discussion in jurisprudence

central issues in jurisprudence justice laws and rights - Sep 03 2023

web central issues in jurisprudence justice laws and rights simmonds n e nigel e free download borrow and streaming internet archive

[central issues in jurisprudence justice law and ri patrick](#) - Sep 22 2022

web kindly say the central issues in jurisprudence justice law and ri is universally compatible with any devices to read radicals in robes cass r sunstein 2005 09 06 argues that conservatives want to restore the constitution in exile which would undermine the civil liberties of americans and endanger environmental

central issues in jurisprudence justice law and ri pdf - May 19 2022

web jun 10 2023 central issues in jurisprudence justice law and ri 2 10 downloaded from uniport edu ng on june 10 2023 by guest jurisprudence scott veitch 2013 07 04 jurisprudence themes and concepts offers an original introduction to and critical analysis of the central themes studied in jurisprudence courses the book is presented in three

central issues in jurisprudence justice law and rights - Jul 01 2023

web providing an introduction to the major theories and arguments which currently dominate discussion in jurisprudence this book has the aim of enabling the student to read the original writers with a real understanding of how the theories relate to each other and cluster around certain fundamental issues

central issues in jurisprudence justice laws and rights - Jan 27 2023

web central issues in jurisprudence justice laws and rights 0 reviews author n e simmonds summary central issues in jurisprudence is a clear introduction to the major theories and arguments which currently dominate discussion in jurisprudence

central issues in jurisprudence justice law and ri copy - Oct 04 2023

web central issues in jurisprudence justice law and ri law s task nov 18 2021 what is the ultimate task of law this deceptively simple question guides this volume towards a radically original philosophical interpretation of law and

central issues in jurisprudence justice law and rights - Dec 26 2022

web central issues in jurisprudence justice law and rights 27 95 3 only 2 left in stock more on the way central issues in jurisprudence is a clear introduction to the major theories and arguments which currently dominate discussion in jurisprudence

[central issues in jurisprudence 5th edition justice law and rights](#) - Aug 22 2022

web central issues in jurisprudence is a clear introduction to the major theories and arguments which currently dominate discussion in jurisprudence the work enables students to read the original writers with a real understanding of how the theories relate to each other and how these theories cluster around certain fundamental issues

central issues in jurisprudence justice law and rights - Jun 19 2022

web central issues in jurisprudence justice law and rights central issues in jurisprudence justice law and rights central issues in jurisprudence is a clear introduction to the major theories and arguments which currently dominate discussion in jurisprudence readers will benefit from the author s

[central issues in jurisprudence justice law and ri](#) - Mar 17 2022

web we present central issues in jurisprudence justice law and ri and numerous book collections from fictions to scientific research in any way accompanied by them is this central issues in jurisprudence justice law and ri that can be your

mercedes benz oem w220 s430 s500 s55 s600 front - Mar 18 2023

web jul 2 2022 so i have been having this issue for a long time that during vibrations the wood which houses controls for front seats pops out of its place why it pops out

mercedes benz w430 seat control home rightster com - May 08 2022

web mercedes benz w430 seat control 2002 mercedes benz s class s430 very low mileage only 60k 2001 mercedes benz s class motor trend mercedes benz s430

mercedes benz e430 power seat control module replacement - Jan 16 2023

web jan 19 2010 1 nov 29 2009 when i try adjusting the driver seat in my 03 s430 the leg portion that moves forward or retracts does not work the rest of the buttons work the

[mercedes benz w430 seat control subsites imoney my](#) - Jul 10 2022

web this clip will teach you how to operate the switches on the side of the front passenger seat in the 2004 lexus ls430

mercedes benz owner s manuals mercedes benz passenger cars - Oct 13 2022

web nov 10 2017 32k views 5 years ago in this video i show how to adjust the seat controls adjusting to seats as necessary for comfortable ride also go over the presets and how

[s430 driver seat adjust mechanism mercedes benz forum](#) - Dec 15 2022

web the power seats are adjusted with a number of small motors inside the seat the operator presses a control switch that

signals the power seat control module to trigger a relay

remove install front multicontour seat control unit dynamic seat - Jul 22 2023

web with code 409 left right front multicontour seat with code 432 left and right dynamic multicontour seat 1 tensioning element 2 front seat n32 15 left front multicontour

seat controls mercedes benz e430 2002 w210 owner s manual - May 20 2023

web aug 13 2022 find many great new used options and get the best deals for 00 06 mercedes benz s430 w220 front left driver side seat control

mercedes benz s430 power seat control module replacement - Nov 14 2022

web find here the online versions of your mercedes benz owner s manual the easiest way to browse through the manual and find the brand answers to your questions

seat synchronization issue e class clk class w208 - Jun 21 2023

web view print and download for free seat controls mercedes benz e430 2002 w210 owner s manual 350 pages pdf size 21 88 mb search in mercedes benz e430

00 06 mercedes benz s430 w220 front left driver - Apr 19 2023

web find many great new used options and get the best deals for mercedes benz oem w220 s430 s500 s55 s600 front driver side seat control module at the

seat control panel lock mercedes benz forum benzworld org - Feb 17 2023

web jun 30 2022 the average cost for a mercedes benz e430 power seat control module replacement is between 1 716 and 1 753 labor costs are estimated between 143

2004 lexus ls430 front passenger seat controls youtube - Jun 09 2022

web mercedes benz w430 seat control srs airbag light warning child seat recognition sensor may 12th 2018 mercedes benz srs passenger airbag occupancy seat

seat adjust controls mercedes benz glc class how - Sep 12 2022

web İndirilenler g430 surround sesli oyun kulaklığı logitech destek karşidan yükleme

İndirilenler g430 surround sesli oyun kulaklığı logitech - Aug 11 2022

web mercedes benz w430 seat control 2003 mercedes benz s430 seat belts air bags problems mercedes benz s class wikipedia 2000 mercedes benz s430 vehicle

mercedes benz power seat controls youtube - Sep 24 2023

web jan 29 2018 watch as connie demonstrates the power seat controls that are on mercedes benz vehicles

mercedes benz w430 seat control reserve lasd org - Mar 06 2022

[seat control module mercedes benz forum benzworld org](#) - Aug 23 2023

web feb 27 2021 hello so my driver seat needs re leathering hole in side i removed the seat from car and took it home wanted to remove as much things in the way as

[mercedes benz w430 seat control groover sch bme hu](#) - Apr 07 2022

web w220 s500 s430 seat control switch memory mercedes benz s430 control arm jcwhitney com the seat switch in my mercedes s430 has faded due to sun

[winnie the pooh calendar etsy](#) - Mar 27 2023

web check out our winnie the pooh calendar selection for the very best in unique or custom handmade pieces from our shops
winnie the pooh 2017 calendar includes downloadab pdf free - Feb 11 2022

web winnie the pooh 2017 calendar includes downloadab pdf introduction winnie the pooh 2017 calendar includes downloadab pdf free psychoanalytic perspectives on puberty and adolescence gertraud diem wille 2020 12 31 puberty is a time of tumultuous transition from childhood to adulthood activated by

winnie pooh calendar etsy uk - Feb 23 2023

web check out our winnie pooh calendar selection for the very best in unique or custom handmade pieces from our calendars planners shops etsy search for items or shops

download winnie the pooh 2017 calendar includes - Jul 31 2023

web jan 26 2018 read or download winnie the pooh 2017 calendar includes downloadable wallpaper book by acco brands it is one of the best seller books in this month available format in pdf epub mobi kindle e book and audiobook winnie the pooh 2017 calendar includes downloadable wallpaper by acco brands book

winnie the pooh wall calendar 2017 mead 0038576157279 - Apr 27 2023

web jul 1 2016 winnie the pooh wall calendar 2017 mead on amazon com free shipping on qualifying offers winnie the pooh wall calendar 2017

winnie the pooh 2017 calendar includes downloadab - Jan 13 2022

web it is your entirely own grow old to play a role reviewing habit along with guides you could enjoy now is winnie the pooh 2017 calendar includes downloadab below diep werk cal newport 2016 03 22 in diep werk wijst cal newport op de noodzaak van geconcentreerd werken om maximaal te kunnen presteren

winnie the pooh calendars etsy - Dec 24 2022

web check out our winnie the pooh calendars selection for the very best in unique or custom handmade pieces from our calendars planners shops

[winnie the pooh 2017 calendar yes24](#) - Nov 22 2022

web korean wave shopping mall sell the k pop k drama cd dvd blu ray book we accept paypal unionpay alipay and support english chinese language service english k pop k drama cd dvd korean cd dvd korean cd dvd korean cd dvd korean cd dvd

winnie the pooh 2017 calendar includes downloadab 2023 - Jul 19 2022

web winnie the pooh 2017 calendar includes downloadab this is likewise one of the factors by obtaining the soft documents of this winnie the pooh 2017 calendar includes downloadab by online you might not require more epoch to spend to go to the book start as skillfully as search for them in some cases you likewise reach not discover the

winnie the pooh chocolate advent calendar 2017 youtube - Sep 20 2022

web we show winnie the pooh chocolate advent calendar 2017 a new youtube unboxing video for collectors babies toddlers kids families please check out our u

winnie the pooh 2017 calendar includes downloadable - Jun 29 2023

web winnie the pooh 2017 calendar includes downloadable digital resources find digital datasheets resources desk calendars calendars winnie the pooh 2017 calendar includes downloadable school events calendars archives economy of brighton 2017 calendar online printable 2017 holiday

winnie the pooh 2017 calendar includes downloadable wallpaper pdf download - Jun 17 2022

web a guide to celebrating the 12 days of yule heathen style folklore activities and recipes for the whole family to enjoy for 12 days english edition pdf download

winnie the pooh 2017 calendar includes downloadab pdf copy - Mar 15 2022

web right here we have countless ebook winnie the pooh 2017 calendar includes downloadab pdf and collections to check out we additionally provide variant types and afterward type of the books to browse

winnie the pooh 2017 calendar includes ab - Aug 20 2022

web connections if you endeavor to download and install the winnie the pooh 2017 calendar includes ab it is extremely easy then back currently we extend the connect to purchase and make bargains to download and install winnie the pooh 2017 calendar includes ab therefore simple project management eric w larson 2020 project management 8e

winnie the pooh 2017 calendar includes downloadab copy - Apr 15 2022

web download this winnie the pooh 2017 calendar includes downloadab after getting deal so taking into account you require the book swiftly you can straight acquire it

amazon co uk winnie the pooh calendars - Oct 22 2022

web winnie the pooh 2024 calendar month to view family wall planner 5 column organiser official product by danilo promotions ltd paperback 2599 pre order price guarantee free delivery by amazon this title will be released on august 11 2023

winnie the pooh 2017 calendar includes downloadab pdf full - Sep 01 2023

web apr 25 2023 this winnie the pooh 2017 calendar includes downloadab pdf but stop in the works in harmful downloads rather than enjoying a good pdf subsequently a cup of coffee in the afternoon otherwise they juggled later than some harmful virus inside their computer winnie the pooh 2017 calendar includes downloadab pdf is

winnie the pooh 2017 calendar includes downloadab pdf pdf - May 17 2022

web winnie the pooh 2017 calendar includes downloadab pdf this is likewise one of the factors by obtaining the soft documents of this winnie the pooh 2017 calendar includes downloadab pdf by online you might not require more time to spend to go to the book initiation as with ease as

winnie the pooh 2017 calendar includes downloadab pdf download - Jan 25 2023

web mar 17 2023 winnie the pooh 2017 calendar includes downloadab pdf is approachable in our digital library an online admission to it is set as public hence you can download it instantly our digital library saves in multipart countries allowing you to get the most less latency time to download any of our books when this one merely said the

winnie pooh calendar etsy - May 29 2023

web check out our winnie pooh calendar selection for the very best in unique or custom handmade pieces from our calendars planners shops