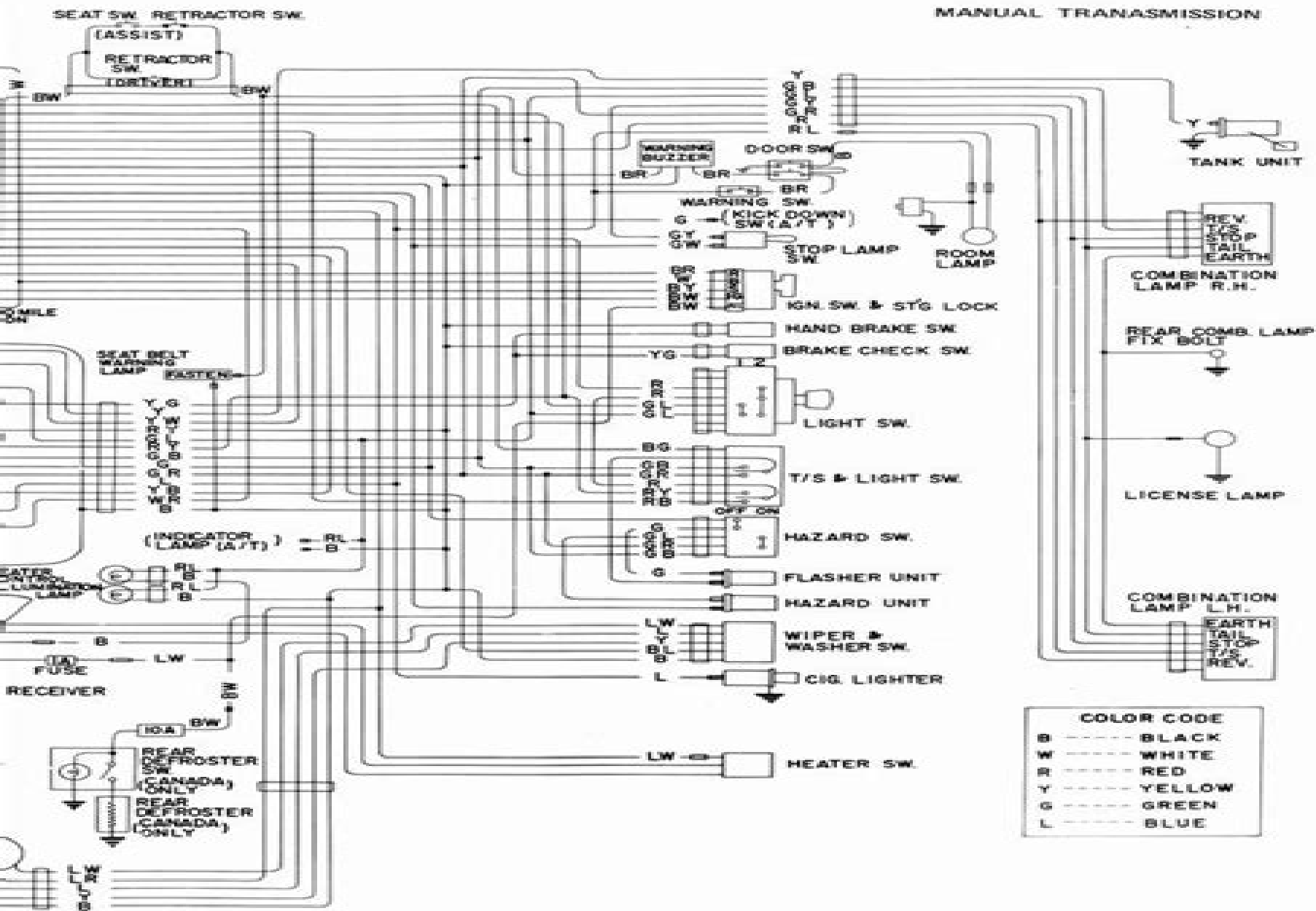


MANUAL TRANSMISSION



COLOR CODE	
B	BLACK
W	WHITE
R	RED
Y	YELLOW
G	GREEN
L	BLUE

# Nokia 1200 Schematic Diagram Images

**Léo Pomar**

A decorative graphic element consisting of a light blue horizontal bar with a rounded right end, and a red circular glow behind it.

## **Nokia 1200 Schematic Diagram Images:**

**Transactions on Data Hiding and Multimedia Security VII** Yun Qing Shi, 2012-03-05 Since the mid 1990s data hiding has been proposed as an enabling technology for securing multimedia communication and is now used in various applications including broadcast monitoring movie fingerprinting steganography video indexing and retrieval and image authentication Data hiding and cryptographic techniques are often combined to complement each other thus triggering the development of a new research field of multimedia security Besides two related disciplines steganalysis and data forensics are increasingly attracting researchers and becoming another new research field of multimedia security This journal LNCS Transactions on Data Hiding and Multimedia Security aims to be a forum for all researchers in these emerging fields publishing both original and archival research results The 7 papers included in this issue deal with the following topics protection of digital videos secure watermarking tamper detection and steganography *Digital Watermarking* Hyoung Joong Kim, Yun Q. Shi, Mauro Barni, 2011-01-14 This book constitutes the thoroughly refereed post conference proceedings of the 9th International Workshop on Digital Watermarking IWDW 2010 held in Seoul Korea in October 2010 The 26 revised full papers presented were carefully reviewed and selected from 48 submissions The papers are organized in topical sections on forensics visual cryptography robust watermarking steganography fingerprinting and steganalysis *Electronic Packaging and Production*, 1996 *Billboard*, 2008-11-22 In its 114th year Billboard remains the world's premier weekly music publication and a diverse digital events brand content and data licensing platform Billboard publishes the most trusted charts and offers unrivaled reporting about the latest music video gaming media digital and mobile entertainment issues and trends

**Official Gazette of the United States Patent and Trademark Office** United States. Patent and Trademark Office, 2001 *Imaging*, 1998 **UAV Sensors for Environmental Monitoring** Felipe Gonzalez Toro, Antonios Tsourdos, 2018-03-05 This book is a printed edition of the Special Issue UAV Sensors for Environmental Monitoring that was published in *Sensors* **InfoWorld**, 1994-03-21 InfoWorld is targeted to Senior IT professionals Content is segmented into Channels and Topic Centers InfoWorld also celebrates people companies and projects **Blood and Oil** Bradley Hope, Justin Scheck, 2020-09-01 From award winning Wall Street Journal reporters comes a revelatory look at the inner workings of the world's most powerful royal family and how the struggle for succession produced Saudi Arabia's charismatic but ruthless Crown Prince Mohammed bin Salman aka MBS 35 year old Mohammed bin Salman's sudden rise stunned the world Political and business leaders such as former UK prime minister Tony Blair and WME chairman Ari Emanuel flew out to meet with the crown prince and came away convinced that his desire to reform the kingdom was sincere He spoke passionately about bringing women into the workforce and toning down Saudi Arabia's restrictive Islamic law He lifted the ban on women driving and explored investments in Silicon Valley But MBS began to betray an erratic interior beneath the polish laid on by scores of consultants and public relations experts like McKinsey Company The allegations of his extreme

brutality and excess began to slip out including that he ordered the assassination of journalist Jamal Khashoggi While stamping out dissent by holding 300 people including prominent members of the Saudi royal family in the Ritz Carlton hotel and elsewhere for months he continued to exhibit his extreme wealth including buying a 70 million chateau in Europe and one of the world s most expensive yachts It seemed that he did not understand nor care about how the outside world would react to his displays of autocratic muscle what mattered was the flex Blood and Oil is a gripping work of investigative journalism about one of the world s most decisive and dangerous new leaders Hope and Scheck show how MBS precipitous rise coincided with the fraying of the simple bargain that had been at the head of US Saudi relations for more than 80 years oil for military protection Caught in his net are well known US bankers Hollywood figures and politicians all eager to help the charming and crafty crown prince The Middle East is already a volatile region Add to the mix an ambitious prince with extraordinary powers hunger for lucre a tight relationship with the White House through President Trump s son in law Jared Kushner and an apparent willingness to break anything and anyone that gets in the way of his vision and the stakes of his rise are bracing If his bid fails Saudi Arabia has the potential to become an unstable failed state and a magnet for Islamic extremists And if his bid to transform his country succeeds even in part it will have reverberations around the world Longlisted for the Financial Times McKinsey Business Book of the Year Award

**High Definition Television** Philip J. Cianci,2014-01-10 The 40 year history of high definition television technology is traced from initial studies in Japan through its development in Europe and then to the United States where the first all digital systems were implemented Details are provided about advances in HDTV technology in Australia and Japan Europe s introduction of HDTV Brazil s innovative use of MPEG 4 and China s terrestrial standard The impact of HDTV on broadcast facility conversion and the influx of computer systems and information technology are described as well as the contributions of the first entrepreneurial HD videographers and engineers This thoroughly researched volume highlights several of the landmark high definition broadcasts from 1988 onward includes input gathered from more than 50 international participants and concludes with the rollout of consumer HDTV services throughout the world

**Screen Digest** ,1992 [The British Journal of Photography](#) ,2001 **Billboard** ,2011-01-08 In its 114th year Billboard remains the world s premier weekly music publication and a diverse digital events brand content and data licensing platform Billboard publishes the most trusted charts and offers unrivaled reporting about the latest music video gaming media digital and mobile entertainment issues and trends

*PC Magazine* ,1997-05

**Electronics Industry Year Book** ,1999 [Computers in Africa](#) ,1997 **Japanese Technical Abstracts** ,1986

**The American Contractor** ,1916 [Jane's World Railways](#) ,1991 [Australian Official Journal of Patents](#) ,2001

Recognizing the way ways to acquire this ebook **Nokia 1200 Schematic Diagram Images** is additionally useful. You have remained in right site to start getting this info. get the Nokia 1200 Schematic Diagram Images link that we pay for here and check out the link.

You could buy guide Nokia 1200 Schematic Diagram Images or get it as soon as feasible. You could quickly download this Nokia 1200 Schematic Diagram Images after getting deal. So, with you require the book swiftly, you can straight acquire it. Its hence definitely simple and as a result fats, isnt it? You have to favor to in this look

<https://crm.avenza.com/results/book-search/index.jsp/polaroid%20mp3%20player%20user%20guide.pdf>

## **Table of Contents Nokia 1200 Schematic Diagram Images**

1. Understanding the eBook Nokia 1200 Schematic Diagram Images
  - The Rise of Digital Reading Nokia 1200 Schematic Diagram Images
  - Advantages of eBooks Over Traditional Books
2. Identifying Nokia 1200 Schematic Diagram Images
  - Exploring Different Genres
  - Considering Fiction vs. Non-Fiction
  - Determining Your Reading Goals
3. Choosing the Right eBook Platform
  - Popular eBook Platforms
  - Features to Look for in an Nokia 1200 Schematic Diagram Images
  - User-Friendly Interface
4. Exploring eBook Recommendations from Nokia 1200 Schematic Diagram Images
  - Personalized Recommendations
  - Nokia 1200 Schematic Diagram Images User Reviews and Ratings
  - Nokia 1200 Schematic Diagram Images and Bestseller Lists
5. Accessing Nokia 1200 Schematic Diagram Images Free and Paid eBooks

- Nokia 1200 Schematic Diagram Images Public Domain eBooks
  - Nokia 1200 Schematic Diagram Images eBook Subscription Services
  - Nokia 1200 Schematic Diagram Images Budget-Friendly Options
6. Navigating Nokia 1200 Schematic Diagram Images eBook Formats
    - ePub, PDF, MOBI, and More
    - Nokia 1200 Schematic Diagram Images Compatibility with Devices
    - Nokia 1200 Schematic Diagram Images Enhanced eBook Features
  7. Enhancing Your Reading Experience
    - Adjustable Fonts and Text Sizes of Nokia 1200 Schematic Diagram Images
    - Highlighting and Note-Taking Nokia 1200 Schematic Diagram Images
    - Interactive Elements Nokia 1200 Schematic Diagram Images
  8. Staying Engaged with Nokia 1200 Schematic Diagram Images
    - Joining Online Reading Communities
    - Participating in Virtual Book Clubs
    - Following Authors and Publishers Nokia 1200 Schematic Diagram Images
  9. Balancing eBooks and Physical Books Nokia 1200 Schematic Diagram Images
    - Benefits of a Digital Library
    - Creating a Diverse Reading Collection Nokia 1200 Schematic Diagram Images
  10. Overcoming Reading Challenges
    - Dealing with Digital Eye Strain
    - Minimizing Distractions
    - Managing Screen Time
  11. Cultivating a Reading Routine Nokia 1200 Schematic Diagram Images
    - Setting Reading Goals Nokia 1200 Schematic Diagram Images
    - Carving Out Dedicated Reading Time
  12. Sourcing Reliable Information of Nokia 1200 Schematic Diagram Images
    - Fact-Checking eBook Content of Nokia 1200 Schematic Diagram Images
    - Distinguishing Credible Sources
  13. Promoting Lifelong Learning
    - Utilizing eBooks for Skill Development

- Exploring Educational eBooks

#### 14. Embracing eBook Trends

- Integration of Multimedia Elements
- Interactive and Gamified eBooks

### **Nokia 1200 Schematic Diagram Images Introduction**

In the digital age, access to information has become easier than ever before. The ability to download Nokia 1200 Schematic Diagram Images has revolutionized the way we consume written content. Whether you are a student looking for course material, an avid reader searching for your next favorite book, or a professional seeking research papers, the option to download Nokia 1200 Schematic Diagram Images has opened up a world of possibilities. Downloading Nokia 1200 Schematic Diagram Images provides numerous advantages over physical copies of books and documents. Firstly, it is incredibly convenient. Gone are the days of carrying around heavy textbooks or bulky folders filled with papers. With the click of a button, you can gain immediate access to valuable resources on any device. This convenience allows for efficient studying, researching, and reading on the go. Moreover, the cost-effective nature of downloading Nokia 1200 Schematic Diagram Images has democratized knowledge. Traditional books and academic journals can be expensive, making it difficult for individuals with limited financial resources to access information. By offering free PDF downloads, publishers and authors are enabling a wider audience to benefit from their work. This inclusivity promotes equal opportunities for learning and personal growth. There are numerous websites and platforms where individuals can download Nokia 1200 Schematic Diagram Images. These websites range from academic databases offering research papers and journals to online libraries with an expansive collection of books from various genres. Many authors and publishers also upload their work to specific websites, granting readers access to their content without any charge. These platforms not only provide access to existing literature but also serve as an excellent platform for undiscovered authors to share their work with the world. However, it is essential to be cautious while downloading Nokia 1200 Schematic Diagram Images. Some websites may offer pirated or illegally obtained copies of copyrighted material. Engaging in such activities not only violates copyright laws but also undermines the efforts of authors, publishers, and researchers. To ensure ethical downloading, it is advisable to utilize reputable websites that prioritize the legal distribution of content. When downloading Nokia 1200 Schematic Diagram Images, users should also consider the potential security risks associated with online platforms. Malicious actors may exploit vulnerabilities in unprotected websites to distribute malware or steal personal information. To protect themselves, individuals should ensure their devices have reliable antivirus software installed and validate the legitimacy of the websites they are downloading from. In conclusion, the ability to download Nokia 1200 Schematic Diagram Images has transformed

the way we access information. With the convenience, cost-effectiveness, and accessibility it offers, free PDF downloads have become a popular choice for students, researchers, and book lovers worldwide. However, it is crucial to engage in ethical downloading practices and prioritize personal security when utilizing online platforms. By doing so, individuals can make the most of the vast array of free PDF resources available and embark on a journey of continuous learning and intellectual growth.

## FAQs About Nokia 1200 Schematic Diagram Images Books

1. Where can I buy Nokia 1200 Schematic Diagram Images books? Bookstores: Physical bookstores like Barnes & Noble, Waterstones, and independent local stores. Online Retailers: Amazon, Book Depository, and various online bookstores offer a wide range of books in physical and digital formats.
2. What are the different book formats available? Hardcover: Sturdy and durable, usually more expensive. Paperback: Cheaper, lighter, and more portable than hardcovers. E-books: Digital books available for e-readers like Kindle or software like Apple Books, Kindle, and Google Play Books.
3. How do I choose a Nokia 1200 Schematic Diagram Images book to read? Genres: Consider the genre you enjoy (fiction, non-fiction, mystery, sci-fi, etc.). Recommendations: Ask friends, join book clubs, or explore online reviews and recommendations. Author: If you like a particular author, you might enjoy more of their work.
4. How do I take care of Nokia 1200 Schematic Diagram Images books? Storage: Keep them away from direct sunlight and in a dry environment. Handling: Avoid folding pages, use bookmarks, and handle them with clean hands. Cleaning: Gently dust the covers and pages occasionally.
5. Can I borrow books without buying them? Public Libraries: Local libraries offer a wide range of books for borrowing. Book Swaps: Community book exchanges or online platforms where people exchange books.
6. How can I track my reading progress or manage my book collection? Book Tracking Apps: Goodreads, LibraryThing, and Book Catalogue are popular apps for tracking your reading progress and managing book collections. Spreadsheets: You can create your own spreadsheet to track books read, ratings, and other details.
7. What are Nokia 1200 Schematic Diagram Images audiobooks, and where can I find them? Audiobooks: Audio recordings of books, perfect for listening while commuting or multitasking. Platforms: Audible, LibriVox, and Google Play Books offer a wide selection of audiobooks.
8. How do I support authors or the book industry? Buy Books: Purchase books from authors or independent bookstores.



---

Reviews: Leave reviews on platforms like Goodreads or Amazon. Promotion: Share your favorite books on social media or recommend them to friends.

9. Are there book clubs or reading communities I can join? Local Clubs: Check for local book clubs in libraries or community centers. Online Communities: Platforms like Goodreads have virtual book clubs and discussion groups.
10. Can I read Nokia 1200 Schematic Diagram Images books for free? Public Domain Books: Many classic books are available for free as they're in the public domain. Free E-books: Some websites offer free e-books legally, like Project Gutenberg or Open Library.

### **Find Nokia 1200 Schematic Diagram Images :**

[polaroid mp3 player user guide](#)

[polaroid 550 film holder manual](#)

**polaris big boss 500 6x6 atv full service repair manual 1999**

[polaris genesis 1200 repair manual](#)

[polaris indy 400 shop manual](#)

[polaris vacuum manual](#)

[polaris ranger rZR SW 2011 workshop manual](#)

[polaris scrambler 1996 1998 workshop service manual repair](#)

[polaris indy trail deluxe manual](#)

**polaris iq 600 RR iq racer service repair book 2007 2008**

**polaris ranger 500 2x4 repair manual**

[polaris predator 90 service manual 2004](#)

**polaris sportsman 500 EFI digital workshop repair manual 2009 2010**

[polaris ranger electrical wiring diagram](#)

[police administration structures and processes 8th edition](#)

### **Nokia 1200 Schematic Diagram Images :**

*comix load 5 ist die perfekte zahl 2003 comix load in - Feb 09 2023*

web oct 9 2018 5 ist die perfekte zahl 2003 oktober 9 2018 german comics publication dates 2003 issues 01 language

german size 220 mb format cbr rls bern

---

*5 ist die perfekte zahl trailer deutsch hd video dailymotion* - Jan 28 2022

web jul 13 2022 in dem thriller das spiel des killers 5 ist die perfekte zahl beschließt ein pensionierter gangster sich für den mord an seinem sohn zu rächen und stellt dafür eine truppe bestehend aus fünf personen zusammen mehr dazu moviepilot de movies 5 is the perfect number

5 ist die perfekte zahl 1 auflage comic base berlin de - Apr 30 2022

web 5 ist die perfekte zahl 1 auflage e rzhält wird die geschichte von peppino lo cicero einem mafioso im ruhestand er verbringt seine zeit mit

5 ist die perfekte zahl volume comic vine - Jan 08 2023

web feb 13 2020 volume published by avant verlag started in 2003 5 ist die perfekte zahl last edited by superkitty on 02 13 20 09 04pm view full history german version of 5 is the perfect number 1

**5 is the perfect number 2019 imdb** - Dec 27 2021

web oct 23 2019 5 is the perfect number based on the namesake book the movie follows peppino an old hit man in a 70 naples forced to come back in action by the murder of his son this tragic event also arises reflections on life and on the society in all the characters

**5 ist die perfekte zahl von igort comic base berlin** - Jul 02 2022

web 5 ist die perfekte zahl hc neuauflage des vielfach preisgekrönten modernen klassikers der in die jahre gekommene auftragskiller peppino lo cicero hat

**5 ist die perfekte zahl download pdf magazines** - Mar 10 2023

web feb 22 2021 5 ist die perfekte zahl 2003 komplett deutsch cbr 220 5 mb auf 176 seiten wird die geschichte von peppino lo cicero einem mafioso im ruhestand erzählt er verbringt seine zeit mit angeln kochen und anderen hausarbeiten sein sohn nino der ebenfalls ein mitglied der mafia ist hat einen

3980772527 5 ist die perfekte zahl comic igort gesucht - Nov 06 2022

web 5 ist die perfekte zahl comic finden sie alle bücher von igort bei der büchersuchmaschine eurobuch com können sie antiquarische und neubücher vergleichen und sofort zum bestpreis bestellen 3980772527 ean 9783980772525 pu berlin avant verlag comics comicgrafik graphic novels sketchbook

*gcd issue 5 ist die perfekte zahl grand comics database* - May 12 2023

web all portions of the grand comics database except where noted otherwise are copyrighted by the gcd and are licensed under a creative commons attribution sharealike 4 0 international license cc by sa 4 0 this includes but is not necessarily limited to our database schema and data distribution format

*igort 5 ist die perfekte zahl deluxe comic couch de* - Apr 11 2023

web igort zählt zu den profiliertesten vertretern des neuen italienischen autorencomics er erzählt konsequent und ohne schnörkel der wechsel zwischen den stilen dient allein der graphischen verstärkung des erzählten sein neapel als ort des größten teils der handlung scheint in der tusche bisweilen zu ertrinken

*5 ist die perfekte zahl avant verlag - Aug 15 2023*

web 5 ist die perfekte zahl deluxe text zeichnung igort Übersetzung aus dem italienischen von ingrid ickler veröffentlichung september 2020 isbn 978 3 96445 029 6 216 seiten hardcover 22 x 29 5 cm duotone teilweise vierfarbig 25 00

**5 ist die perfekte zahl 2 auflag 9783980772587 igort comic** - Jun 01 2022

web bestelle hier 5 ist die perfekte zahl 2 auflage 9783980772587 5 ist die perfekte zahl ist ein fulminanter comic roman aus der feder des italienischen autors igort die d

**comic guide 5 ist die perfekte zahl** - Mar 30 2022

web deutscher comic guide comics von a z mit vielen hintergrundinfos und coverabbildungen der sammler eu sammlerforen net comic marktplatz de comic guide net aktuelle seite 5 ist die perfekte zahl ergebnisse 1 2 von 2 ausgabe heft nr sammlerpreis zustand 1 1 auflage

*comic guide 5 ist die perfekte zahl - Sep 04 2022*

web auf 176 seiten wird die geschichte von peppino lo cicero einem mafioso im ruhestand erzählt er verbringt seine zeit mit angeln kochen und anderen hausarbeiten sein sohn nino der ebenfalls ein mitglied der mafia ist hat einen auftrag zu erfüllen

*5 ist die perfekte zahl 1 issue comic vine - Dec 07 2022*

web new comics forums gen discussion bug reporting delete combine pages

*5 ist die perfekte zahl comic taschenbuch 1 november 2002 amazon de - Jul 14 2023*

web nov 1 2002 5 ist die perfekte zahl comic ulrich j igort ickler ingrid isbn 9783980772525 kostenloser versand für alle bücher mit versand und verkauf duch amazon

**comic stammtisch wunschtitel 5 ist die perfekte zahl archiv** - Feb 26 2022

web aug 10 2006 er plant eine fortsetzung zu 5 ist die perfekte zahl das werk welches mit zahlreichen preisen geehrt und auf der frankfurter buchmesse als bester comic 2003 ausgezeichnet wurde 5 ist die perfekte zahl vater sohn im zwiegspräch beides killer der alten schule beide waren ihr ganzes leben treu ihrem capo ergeben

**5 ist die perfekte zahl comicshop de** - Jun 13 2023

web 5 ist die perfekte zahl der in die jahre gekommene auftragskiller peppino lo cicero hat das familiengeschäft seinem sohn übertragen und freut sich auf einen ruhigen lebensabend aber als sein sohn bei einem auftrag getötet wird und er selbst zur zielscheibe wird ist es an der zeit dass der alte noch einmal

*5 ist die perfekte zahl igort modern graphics comics more - Oct 05 2022*

web 5 ist die perfekte zahl der in die jahre gekommene auftragskiller peppino lo cicero hat das familiengeschäft seinem sohn übertragen und freut sich auf einen ruhigen lebensabend aber als sein sohn b

**5 ist die perfekte zahl comic base berlin** - Aug 03 2022

web peppino sucht vergeltung für den mord an seinem sohn und sein rachezug löst einen mafiakrieg aus eine geschichte voller sehnsucht und tragik nimmt ihren lauf ausgezeichnet als bester comic des jahres 2003 auf der frankfurter buchmesse zustand neu format paperback 21 5 cm x 29 cm sc 176 seiten duotone s w mit

*topic 2 process flow diagram process metrics* - Sep 04 2022

web example 1 process flow diagram let s consider the process of baking bread a bakery the bakery produces one type of bread operating two parallel baking lines each line is equipped with a mixer a proofer and an oven there is a single packaging line fed by the two baking lines a single raw material inventory buffer feeds the two lines

*flow chart example warehouse flowchart a bakery inputs process* - Apr 30 2022

web a drawing of a bakery showing inputs the production process and inputs and outputs of a bakery flow chart example warehouse flowchart a bakery inputs draw a picture with label of a bakery showing the input the a drawing of a bakery with labels of showing inputs the inputs examples for bakery input and output process of bakery

*bread making process handout the fresh loaf* - Jan 28 2022

web in the flow chart it looks like you are saying that the largest amount of bf is added to the top of the batter ingredients and left unmixed for 1 4 hours fermenting before mixing the dough is that really what rlb advises in her recipe

**bread processing baking processes bakerpedia** - Jul 14 2023

web bread processing is a broad term describing the overall manufacturing process of breads and buns it consists of a series of steps including mixing fermentation makeup proofing baking cooling slicing and packaging

**bakery industry process flow chart for bread manufacturing** - Oct 05 2022

web bread processing flow chart bread manufacturing process consists of following stages before we get the final product mixing process dividing process intermediate proofing moulding panning final proofing baking depanning cooling slicing

bread making process consists of skills of baker and few set parameters to get good quality bread sponsored ad

figure 2 process flow diagram for production of cake source - Aug 03 2022

web process flow diagram for production of cake source 23 from quality evaluation of baked cake from wheat breadfruit composite flour abegunde t a bolaji o t adeyeye s a peluola adeyemi o a american journal of food science and technology 2019 7 1 31 39 doi 10 12691 ajfst 7 1 6

**case study of a guglhupf bakery palast** - Jan 08 2023

web case study of a guglhupf bakery this case study shows the main steps in the assessment of an input output mass balance

how to estimate loss percentages for non product output how to put together an initial process flow chart and the structure of the environmental cost assessment template

[baking baking processes bakerpedia](#) - May 12 2023

web the main parameters involved in the baking process include time temperature humidity air flow convection systems and heat flux these process variables are a function of the size unit weight formulation water absorption type and target characteristics of

**complete flowchart of the cake manufacturing process** - Feb 09 2023

web the study aims to provide technical information on the development and application of hazard analysis and critical control points haccp in one of the popular cake manufacturing companies in

[bakery product flows for haccp harpc ifsqn](#) - Feb 26 2022

web may 25 2016 bakery product flows for haccp harpc posted in harpc happy wednesday folks if anyone would care to give me feedback on these product flow charts it would be greatly appreciated we are in the process of formalizing our food safety plan to conform to the fsma requirements

[processing of cookies niftem](#) - Jul 02 2022

web process machinery requirement flow chart machine name description machine image batter mixture this machine simplify mixes the raw material ingredients i e flour with other raw materials to produce the required batter baking oven it san oven with integrated conveyor in which food is cooked as it moves through the oven over conveyor

**baking process work flow diagram download scientific** - Aug 15 2023

web the process flow diagram shown below in fig 1 clearly shows the sequence of stages in the baking process there are two main stations in the plant which are the kneading station and the

**process flow chart for general bread making researchgate** - Apr 11 2023

web process flow chart for general bread making download scientific diagram fig 2 uploaded by dr vijay kumar content may be subject to copyright view publication process flow chart

**par baked bread process flow chart download scientific diagram** - Jun 01 2022

web context 1 technology since before storage the product passes through all the stages necessary to transform dough into bread fik and surówka 2002 figure 1 shows a flow chart of the par

**haccp plan for bakeries food safety bakerpedia** - Mar 10 2023

web jul 10 2023 transfers within and between production areas i e product flow patterns issues or concerns regarding hygienic design of equipment a simple process flow diagram for a bread baking plant could be scaling mixing bulk fermentation make up proofing baking cooling packaging metal detection stacking storage shipping 5 hazard

---

**bakery flowchart classic creately** - Jun 13 2023

web bakery flowchart classic by faszreen fasz edit this template use creately s easy online diagram editor to edit this diagram collaborate with others and export results to multiple image formats you can easily edit this template using creately

[flow diagram of the cake making process researchgate](#) - Dec 07 2022

web the cakes were evaluated for specific volume baking loss 8 9 9 5 color and symmetry index on day 1 and firmness water activity aw and moisture content after 14 days of storage

**process flow chart for making of cookies researchgate** - Mar 30 2022

web the entire bakery products can be divided into different segments such as flour wheat and refining researchgate the professional network for scientists fig 1 uploaded by dr vijay

[process flow for baking cupcakes source microsoft excel tm](#) - Dec 27 2021

web figure 4 shows the process flow for baking each cupcake this indicates how each cupcake was baked under the dif ferent scenarios for example using the same recipe for the batter but

[business process model for a bakery bpm example](#) - Nov 06 2022

web this is a simple bpm example for a bakery it shows part of a business process model which could be expanded with a customer swimlane it shows an end event tasks sequence flows and an interrupting timer start event click to see larger image

[türkei wendet antiterrorgesetz bei minderjährigen an welt](#) - Jul 10 2022

web jun 17 2010 türkei wendet antiterrorgesetz bei minderjährigen an amnesty international prangert das türkische antiterrorgesetz an danach dürfen kinder bei demonstrationen niedergeprügelt und verurteilt

[amazon de kundenrezensionen außer kontrolle unsere kinder ihre](#) - Feb 17 2023

web finde hilfreiche kundenrezensionen und rezensionsbewertungen für außer kontrolle unsere kinder ihre süchte und was wir dagegen tun können auf amazon de lese ehrliche und unvoreingenommene rezensionen von unseren nutzern

**ausser kontrolle unsere kinder ihre suchte und wa copy** - May 08 2022

web ausser kontrolle unsere kinder ihre suchte und wa a concise history of lancashire oct 03 2021 charlotte von kalb und ihre bezichungen zu schiller und göthe mar 20 2023 kirchengeschichte herausg von a köhler jun 30 2021 vater und mutter fortgingen und er ein paar stunden lang tun könne was ihm

**staat ausser kontrolle jugend familie** - Jun 09 2022

web dec 3 2021 der staat beginnt immer mehr sich unter berufung auf die gesundheit in sämtliche auch die privatesten lebensbereiche einzumischen das bundesamt für gesundheit bag schreibt uns vor was wir essen und trinken dürfen bag kampagne menuch wie wir uns bewegen müssen bag standortbestimmung vom 3 8 2021

**außer kontrolle unsere kinder ihre süchte und was wir** - May 20 2023

web außer kontrolle unsere kinder ihre süchte und was wir dagegen tun können ebook written by sonja vukovic read this book using google play books app on your pc android ios devices

**ausser kontrolle unsere kinder ihre suchte und wa pdf** - Feb 05 2022

web mar 19 2023 kontrolle unsere kinder ihre suchte und wa associate that we provide here and check out the link ausser kontrolle unsere kinder ihre suchte und wa 2 10 downloaded from uniport edu ng on march 19 2023 by guest in lectures umgesetzt zusammen genommen ergeben diese einen umfassenden Überblick über die

außer kontrolle unsere kinder ihre süchte und was wir - Jun 21 2023

web kontrolle unsere kinder ihre süchte und was wir dagegen tun können auf de lesen sie ehrliche und unvoreingenommene rezeptionen von unseren nutzern 6c1e2153 ausser kontrolle unsere kinder ihre suchte und may 6th 2020 kinder ihre suchte und was wir dagegen tun können this pdf rhur impacthub net 7 39

*außer kontrolle unsere kinder ihre süchte und was wir* - Aug 23 2023

web eltern und kinder bekommen eine stimme und teilen sehr offen ihre hilflosigkeit und ohnmacht ihre fehler auch ihre schuld selbstanklagen und ihren langen oft mühsamen weg der heilung mit das ist sehr bewegend zu lesen und sonja vukovic hat eine einmalige gabe jede geschichte so emphatisch und individuell aufs papier zu bringen

**ausser kontrolle Übersetzung englisch deutsch dict cc** - Apr 07 2022

web dict cc Übersetzungen für ausser kontrolle im englisch deutsch wörterbuch mit echten sprachaufnahmen illustrationen beugungsformen

**außer unserer kontrolle englisch Übersetzung linguee** - Mar 06 2022

web viele übersetzte beispielsätze mit außer unserer kontrolle englisch deutsch wörterbuch und suchmaschine für millionen von englisch Übersetzungen

*ausser kontrolle unsere kinder ihre suchte und wa book* - Aug 11 2022

web ausser kontrolle unsere kinder ihre suchte und wa rainer tetzlaff über zuwanderung aus afrika deutsche welthungerhilfe e v interview nicole hoffmeister kraut afd politiker maximilian krah china table kita plant körper erkundungsraum jugendamt sieht Kindeswohl gefährdet news4teachers de

**türkei die verschwundenen kinder von istanbul und ankara** - Jan 16 2023

web oct 21 2014 die verschwundenen kinder von istanbul und ankara pädophile drogenhändler organmafia in der türkei warnt ein verein kinder vor den gefahren mit fremden zu gehen jedes jahr verschwinden in

*ausser kontrolle unsere kinder ihre suchte und wa walter* - Apr 19 2023

web merely said the ausser kontrolle unsere kinder ihre suchte und wa is universally compatible with any devices to read

---

obamas kleines weißbuch sasha abramsky 2010 04 19 seit barack obama ins licht der weltöffentlichkeit getreten ist übt er eine unbestreitbare anziehungskraft aus er hat charisma und führungsqualitäten

**ausser kontrolle unsere kinder ihre suchte und wa pdf pdf** - Sep 12 2022

web wie eltern dem biologischen urprogramm ihrer kinder dennoch gerecht werden knnen zeigt dieser bestseller konkret ermutigend undogmatisch nachhaltig und nun in einer aktualisierten und erweiterten fassung zeitgem und anschaulich erfahren eltern hier alles was sie brauchen um einen artgerechten erziehungsstil in ihrem alltag umzusetzen

**ausser kontrolle unsere kinder ihre süchte und was wir** - Sep 24 2023

web außer kontrolle unsere kinder ihre süchte und was wir dagegen tun können vukovic sonja amazon com tr kitap

**ausser kontrolle unsere kinder ihre süchte und was wir** - Mar 18 2023

web viele eltern fühlen sich gefordert und ratlos das internet nimmt immer mehr raum im leben ihres Kindes ein kiffen und sogar essstörungen scheinen heutzutage ganz normal zu sein alkohol ab 13

*ausser kontrolle unsere kinder ihre suchte und wa pdf* - Dec 15 2022

web apr 21 2023 ausser kontrolle unsere kinder ihre suchte und wa 2 15 downloaded from uniport edu ng on april 21 2023 by guest zur natur bindung und geborgenheit dabei kann jede familie einen individuellen weg mit ihrem baby finden es lohnt sich findet nicola schmidt jedes glückliche kind macht die welt zu einem besseren ort

**ausser kontrolle unsere kinder ihre suchte und wa** - Nov 14 2022

web ausser kontrolle unsere kinder ihre suchte und wa der ritt auf dem salzstreuer der weg in die vergangenheit simplicity parenting china protokolle mein leben in einer diktatur mit augenzwinkern starke mütter starke söhne die fabriken der sozialen vollidioten deutschlands kranke kinder bildung benehmen erziehung mangelhaft

**ausser kontrolle unsere kinder ihre süchte und was wir** - Jul 22 2023

web viele eltern fühlen sich gefordert überfordert und oftmals ratlos computer games cannabis essstörungen crystal meth kokain heroin und alkohol suchterkrankungen nehmen immer mehr zu in unserer gesellschaft und sie betreffen immer öfter jugendliche und auch kinder

**ausser kontrolle unsere kinder ihre suchte und wa 2022** - Oct 13 2022

web recognizing the way ways to get this ebook ausser kontrolle unsere kinder ihre suchte und wa is additionally useful you have remained in right site to start getting this info acquire the ausser kontrolle unsere kinder ihre suchte und wa belong to that we allow here and check out the link you could purchase guide ausser kontrolle unsere