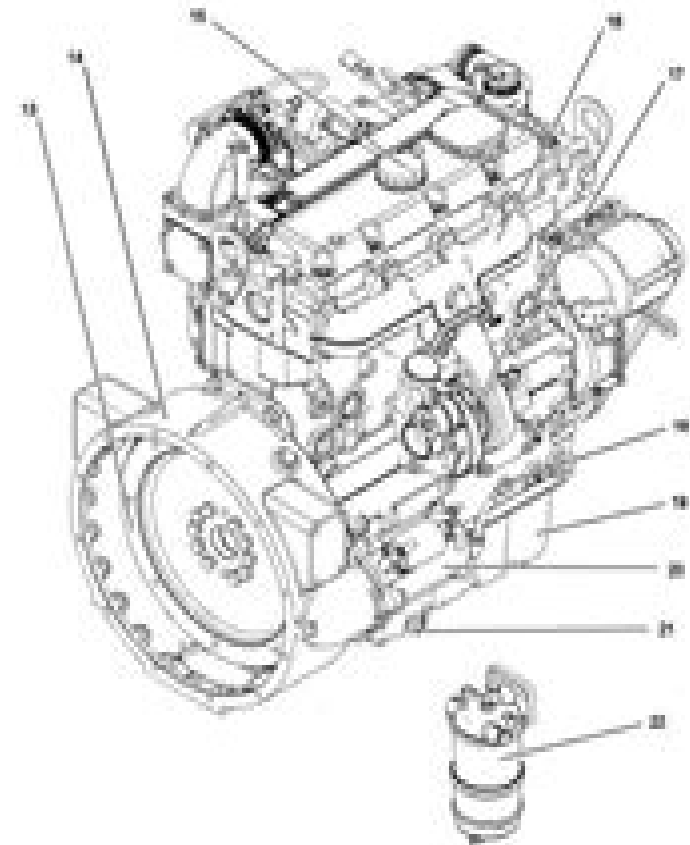


- | | | |
|---------------------|---------------------------|-------------------------------|
| Number 1 | | |
| 1) Valve | 10) Water Separator Cover | 13) Fuel Transfer Pump |
| 2) Water | 11) Fuel Supply Pipe | 14) Fuel Filter |
| 3) Fuel Supply Pipe | 12) Air Filter | 15) Diesel Particulate Filter |
| 4) Water Valve | 16) Secondary Fuel Filter | 17) Water Pump |



- | | | |
|-----------------------|-------------------------------|-------------------------------|
| Number 1 | | |
| 1) Fuel | 17) Water Pump | 18) Air Filter |
| 2) Fuel Transfer Pump | 18) Air Filter | 19) Diesel Particulate Filter |
| 3) Fuel Filter | 19) Diesel Particulate Filter | 20) Fuel Transfer Pump |
| 4) Fuel Supply Pipe | 20) Fuel Transfer Pump | 21) Water Valve |
| 5) Water Valve | 21) Water Valve | 22) Fuel Filter |
| 6) Fuel Transfer Pump | 22) Fuel Filter | 23) Fuel Supply Pipe |
| 7) Fuel Filter | 23) Fuel Supply Pipe | 24) Fuel Transfer Pump |
| 8) Fuel Supply Pipe | 24) Fuel Transfer Pump | 25) Fuel Filter |
| 9) Water Valve | 25) Fuel Filter | 26) Fuel Supply Pipe |

Fuel System

The Deutz SP110 fuel injection pump is installed on the 1104D engine.

Notes:

The fuel transfer pump draws fuel from the fuel tank and through the water separator. When the fuel goes through the water separator, any water in the fuel will go to the bottom of the tank. The fuel transfer pump sends the fuel at a low pressure to the fuel filter. From the fuel filter, the fuel goes through the supply line to the fuel injection pump.

Perkins 44t Manual

N Noddings



Perkins 44t Manual:

Unveiling the Energy of Verbal Art: An Mental Sojourn through **Perkins 44t Manual**

In some sort of inundated with screens and the cacophony of instantaneous communication, the profound power and psychological resonance of verbal beauty often fade in to obscurity, eclipsed by the constant barrage of sound and distractions. However, nestled within the musical pages of **Perkins 44t Manual**, a captivating function of fictional brilliance that pulses with raw feelings, lies an wonderful trip waiting to be embarked upon. Penned by a virtuoso wordsmith, that enchanting opus courses viewers on a psychological odyssey, softly exposing the latent possible and profound affect stuck within the elaborate internet of language. Within the heart-wrenching expanse with this evocative analysis, we can embark upon an introspective exploration of the book is central subjects, dissect its captivating publishing style, and immerse ourselves in the indelible impression it leaves upon the depths of readers souls.

<https://crm.avenza.com/book/publication/default.aspx/Scholarship%20Essay%20Financial%20Hardship.pdf>

Table of Contents Perkins 44t Manual

1. Understanding the eBook Perkins 44t Manual
 - The Rise of Digital Reading Perkins 44t Manual
 - Advantages of eBooks Over Traditional Books
2. Identifying Perkins 44t Manual
 - Exploring Different Genres
 - Considering Fiction vs. Non-Fiction
 - Determining Your Reading Goals
3. Choosing the Right eBook Platform
 - Popular eBook Platforms
 - Features to Look for in an Perkins 44t Manual
 - User-Friendly Interface
4. Exploring eBook Recommendations from Perkins 44t Manual
 - Personalized Recommendations

- Perkins 44t Manual User Reviews and Ratings
- Perkins 44t Manual and Bestseller Lists
- 5. Accessing Perkins 44t Manual Free and Paid eBooks
 - Perkins 44t Manual Public Domain eBooks
 - Perkins 44t Manual eBook Subscription Services
 - Perkins 44t Manual Budget-Friendly Options
- 6. Navigating Perkins 44t Manual eBook Formats
 - ePub, PDF, MOBI, and More
 - Perkins 44t Manual Compatibility with Devices
 - Perkins 44t Manual Enhanced eBook Features
- 7. Enhancing Your Reading Experience
 - Adjustable Fonts and Text Sizes of Perkins 44t Manual
 - Highlighting and Note-Taking Perkins 44t Manual
 - Interactive Elements Perkins 44t Manual
- 8. Staying Engaged with Perkins 44t Manual
 - Joining Online Reading Communities
 - Participating in Virtual Book Clubs
 - Following Authors and Publishers Perkins 44t Manual
- 9. Balancing eBooks and Physical Books Perkins 44t Manual
 - Benefits of a Digital Library
 - Creating a Diverse Reading Collection Perkins 44t Manual
- 10. Overcoming Reading Challenges
 - Dealing with Digital Eye Strain
 - Minimizing Distractions
 - Managing Screen Time
- 11. Cultivating a Reading Routine Perkins 44t Manual
 - Setting Reading Goals Perkins 44t Manual
 - Carving Out Dedicated Reading Time
- 12. Sourcing Reliable Information of Perkins 44t Manual
 - Fact-Checking eBook Content of Perkins 44t Manual

- Distinguishing Credible Sources
13. Promoting Lifelong Learning
- Utilizing eBooks for Skill Development
 - Exploring Educational eBooks
14. Embracing eBook Trends
- Integration of Multimedia Elements
 - Interactive and Gamified eBooks

Perkins 44t Manual Introduction

Free PDF Books and Manuals for Download: Unlocking Knowledge at Your Fingertips In today's fast-paced digital age, obtaining valuable knowledge has become easier than ever. Thanks to the internet, a vast array of books and manuals are now available for free download in PDF format. Whether you are a student, professional, or simply an avid reader, this treasure trove of downloadable resources offers a wealth of information, conveniently accessible anytime, anywhere. The advent of online libraries and platforms dedicated to sharing knowledge has revolutionized the way we consume information. No longer confined to physical libraries or bookstores, readers can now access an extensive collection of digital books and manuals with just a few clicks. These resources, available in PDF, Microsoft Word, and PowerPoint formats, cater to a wide range of interests, including literature, technology, science, history, and much more. One notable platform where you can explore and download free Perkins 44t Manual PDF books and manuals is the internet's largest free library. Hosted online, this catalog compiles a vast assortment of documents, making it a veritable goldmine of knowledge. With its easy-to-use website interface and customizable PDF generator, this platform offers a user-friendly experience, allowing individuals to effortlessly navigate and access the information they seek. The availability of free PDF books and manuals on this platform demonstrates its commitment to democratizing education and empowering individuals with the tools needed to succeed in their chosen fields. It allows anyone, regardless of their background or financial limitations, to expand their horizons and gain insights from experts in various disciplines. One of the most significant advantages of downloading PDF books and manuals lies in their portability. Unlike physical copies, digital books can be stored and carried on a single device, such as a tablet or smartphone, saving valuable space and weight. This convenience makes it possible for readers to have their entire library at their fingertips, whether they are commuting, traveling, or simply enjoying a lazy afternoon at home. Additionally, digital files are easily searchable, enabling readers to locate specific information within seconds. With a few keystrokes, users can search for keywords, topics, or phrases, making research and finding relevant information a breeze. This efficiency saves time and effort, streamlining the learning process and allowing individuals to focus on extracting the information they

need. Furthermore, the availability of free PDF books and manuals fosters a culture of continuous learning. By removing financial barriers, more people can access educational resources and pursue lifelong learning, contributing to personal growth and professional development. This democratization of knowledge promotes intellectual curiosity and empowers individuals to become lifelong learners, promoting progress and innovation in various fields. It is worth noting that while accessing free Perkins 44t Manual PDF books and manuals is convenient and cost-effective, it is vital to respect copyright laws and intellectual property rights. Platforms offering free downloads often operate within legal boundaries, ensuring that the materials they provide are either in the public domain or authorized for distribution. By adhering to copyright laws, users can enjoy the benefits of free access to knowledge while supporting the authors and publishers who make these resources available. In conclusion, the availability of Perkins 44t Manual free PDF books and manuals for download has revolutionized the way we access and consume knowledge. With just a few clicks, individuals can explore a vast collection of resources across different disciplines, all free of charge. This accessibility empowers individuals to become lifelong learners, contributing to personal growth, professional development, and the advancement of society as a whole. So why not unlock a world of knowledge today? Start exploring the vast sea of free PDF books and manuals waiting to be discovered right at your fingertips.

FAQs About Perkins 44t Manual Books

How do I know which eBook platform is the best for me? Finding the best eBook platform depends on your reading preferences and device compatibility. Research different platforms, read user reviews, and explore their features before making a choice. Are free eBooks of good quality? Yes, many reputable platforms offer high-quality free eBooks, including classics and public domain works. However, make sure to verify the source to ensure the eBook credibility. Can I read eBooks without an eReader? Absolutely! Most eBook platforms offer webbased readers or mobile apps that allow you to read eBooks on your computer, tablet, or smartphone. How do I avoid digital eye strain while reading eBooks? To prevent digital eye strain, take regular breaks, adjust the font size and background color, and ensure proper lighting while reading eBooks. What the advantage of interactive eBooks? Interactive eBooks incorporate multimedia elements, quizzes, and activities, enhancing the reader engagement and providing a more immersive learning experience. Perkins 44t Manual is one of the best book in our library for free trial. We provide copy of Perkins 44t Manual in digital format, so the resources that you find are reliable. There are also many Ebooks of related with Perkins 44t Manual. Where to download Perkins 44t Manual online for free? Are you looking for Perkins 44t Manual PDF? This is definitely going to save you time and cash in something you should think about. If you trying to find then search around for online. Without a doubt there are numerous these available

and many of them have the freedom. However without doubt you receive whatever you purchase. An alternate way to get ideas is always to check another Perkins 44t Manual. This method for see exactly what may be included and adopt these ideas to your book. This site will almost certainly help you save time and effort, money and stress. If you are looking for free books then you really should consider finding to assist you try this. Several of Perkins 44t Manual are for sale to free while some are payable. If you arent sure if the books you would like to download works with for usage along with your computer, it is possible to download free trials. The free guides make it easy for someone to free access online library for download books to your device. You can get free download on free trial for lots of books categories. Our library is the biggest of these that have literally hundreds of thousands of different products categories represented. You will also see that there are specific sites catered to different product types or categories, brands or niches related with Perkins 44t Manual. So depending on what exactly you are searching, you will be able to choose e books to suit your own need. Need to access completely for Campbell Biology Seventh Edition book? Access Ebook without any digging. And by having access to our ebook online or by storing it on your computer, you have convenient answers with Perkins 44t Manual To get started finding Perkins 44t Manual, you are right to find our website which has a comprehensive collection of books online. Our library is the biggest of these that have literally hundreds of thousands of different products represented. You will also see that there are specific sites catered to different categories or niches related with Perkins 44t Manual So depending on what exactly you are searching, you will be able tochoose ebook to suit your own need. Thank you for reading Perkins 44t Manual. Maybe you have knowledge that, people have search numerous times for their favorite readings like this Perkins 44t Manual, but end up in harmful downloads. Rather than reading a good book with a cup of coffee in the afternoon, instead they juggled with some harmful bugs inside their laptop. Perkins 44t Manual is available in our book collection an online access to it is set as public so you can download it instantly. Our digital library spans in multiple locations, allowing you to get the most less latency time to download any of our books like this one. Merely said, Perkins 44t Manual is universally compatible with any devices to read.

Find Perkins 44t Manual :

[*scholarship essay financial hardship*](#)

[~~science essay topics for college~~](#)

[~~scheme of work basic technology jss2 3rd term~~](#)

[school term holidays 2015 brunei](#)

[schematic of rear window 20grand prix](#)

[~~science probe 9 workbook answers~~](#)

scheme of work mathematics for jss3 students[schlage storm door latch manual](#)**schematic diagrams of hp pavilion tx 1000**[schiwnn evolution comp manual](#)[science lab progress check c2 answers](#)**school human resources technician written exam guide**[schema electrique twingo](#)**schokarship awards flyet**[school counselor companion guide cps](#)**Perkins 44t Manual :****pedro de mena the spanish bernini worldcat org** - Jun 17 2023

web abstract pedro de mena y medrano 1628 1688 is nowadays the most highly regarded master of spanish baroque sculpture on a par with his contemporaries the great seventeenth century painters velázquez zurbarán and murillo mena s contributions to spanish baroque sculpture are unsurpassed in both technical skill and expressiveness

pedro de mena baroque sculptor religious works spanish artist - Jan 12 2023

web pedro de mena spanish sculptor who created many statues and busts of polychromed wood for churches in spain and latin america and whose work typifies the late baroque beginning as a student of his father the sculptor alonso de mena pedro worked in the studio of alonso cano from 1652 to 1657

pedro de mena the spanish bernini dialnet - May 16 2023

web autores xavier bray José Luis Romero Torres Pedro de Mena Andreas Pampoulides Comp Editores Coll Cortés Año de publicación 2014 País España Idioma inglés isbn 978 84 616 8658 2 texto completo no disponible saber más

[pedro de mena the spanish bernini xavier bray jose luis](#) - Aug 19 2023

web pedro de mena the spanish bernini xavier bray jose luis romero torres amazon com tr

hannibal books pedro de mena the spanish bernini - Aug 07 2022

web first monograph about pedro de mena the greatest sculptor of the spanish baroque pedro de mena y medrano 1628 1688 is nowadays the most highly regarded master of spanish baroque sculpture on a par with his contemporaries the great seventeenth century painters velázquez zurbarán and murillo

[9789492677914 pedro de mena the spanish bernini abebooks](#) - Sep 08 2022

web this first monograph of pedro de mena shows incredible details and remarkable images of the artist s hyper realistic

sculptures pedro de mena y medrano 1628 1688 is the most highly regarded master of spanish baroque sculpture on a par with his contemporaries the great seventeenth century painters velázquez zurbarán and murillo

pedro de mena the spanish bernini worldcat org - Apr 15 2023

web pedro de mena the spanish bernini xavier bray josé luis romero torres musée d histoire et d art luxembourg pedro de mena y medrano 1628 1688 is nowadays the most highly regarded master of spanish baroque sculpture on a par with his contemporaries the great seventeenth century painters velázquez

pedro de mena the spanish bernini de slegte - Feb 01 2022

web the spanish bernini pedro de mena y medrano 1628 1688 is nowadays the most highly regarded master of spanish baroque sculpture on a par with his contemporaries the great seventeenth century painters velázquez zurbarán and murillo

pedro de mena the spanish bernini goodreads - Mar 02 2022

web rather than being considered primarily as art works spanish polychrome sculpture is still revered today primarily for its function as religious objects that are worshiped by the devout and carried through the streets during the annual holy week processions

pedro de mena the spanish bernini 24 yes24 - Jun 05 2022

web this first monograph of pedro de mena shows incredible details and remarkable images of the artist s hyper realistic sculptures

pedro de mena the spanish bernini alibris - Apr 03 2022

web buy pedro de mena the spanish bernini by xavier bray jose luis romero torres online at alibris we have new and used copies available in 1 editions starting at 51 99 shop now

pedro de mena the spanish bernini nationalmuseum - Dec 31 2021

web title pedro de mena the spanish bernini editor hannibal date 2019 language anglais pages 288 pages isbn 978 9492677914 price 35 00

pedro de mena the spanish bernini worldcat org - Feb 13 2023

web pedro de mena the spanish bernini xavier bray josé luis romero torres michel polfer laura suffield kate fitzroy pedro de mena y medrano 1628 1688 is nowadays the most highly regarded master of spanish baroque sculpture on a par with his contemporaries the great seventeenth century painters velázquez

pedro de mena the spanish bernini barnes noble - Oct 09 2022

web jul 22 2019 pedro de mena y medrano 1628 1688 is the most highly regarded master of spanish baroque sculpture on a par with his contemporaries the great seventeenth century painters velázquez zurbarán and murillo mena s contributions to spanish baroque sculpture are unsurpassed in both technical skill and expressiveness of his religious

pedro de mena the spanish bernini google books - Jul 18 2023

web this first monograph of pedro de mena shows incredible details and remarkable images of his hyper realistic sculptures full of passion in addition to text by curator xavier bray pedro

formats and editions of pedro de mena the spanish bernini - Mar 14 2023

web this publication is a revised enlarged and redesigned edition of pedro de mena the spanish bernini designed in 2014 by diego fortunato and published by coll cortés in the same year

pedro de mena the spanish bernini hardcover amazon co uk - Jul 06 2022

web may 29 2019 buy pedro de mena the spanish bernini 1 by xavier bray jose luis romero torres isbn 9789492677914 from amazon s book store everyday low prices and free delivery on eligible orders

pedro de mena the spanish bernini amazon es - Nov 10 2022

web the spanish bernini pedro de mena y medrano 1628 1688 is nowadays the most highly regarded master of spanish baroque sculpture on a par with his contemporaries the great seventeenthcentury painters velázquez zurbarán and murillo

pedro de mena xavier bay and josé luis romero torres pdf - May 04 2022

web pedro de mena the spanish bernini 2 foreword pedro de mena y medrano 1628 1688 is nowadays the most san diego museum of art and the fitzwilliam museum in highly regarded master of spanish baroque sculpture on a par cambridge are a direct consequence of the london exhibition with his contemporaries the great seventeenth

9789492677914 pedro de mena the spanish bernini abebooks - Dec 11 2022

web abebooks com pedro de mena the spanish bernini 9789492677914 by bray xavier torres jose luis romero and a great selection of similar new used and collectible books available now at great prices

the davidic cipher unlocking the hidden music of pdf 2023 - Apr 29 2022

web as this the davidic cipher unlocking the hidden music of it ends stirring being one of the favored books the davidic cipher unlocking the hidden music of collections that

the davidic cipher unlocking the music of the psalms - Aug 02 2022

web making the davidic cipher finally unlocks the hidden music of the psalms enabling these timeless works to be deciphered and written into traditional musical notation

the davidic cipher unlocking the music of the psalms - Oct 04 2022

web lore of music feb 10 2022 written by fabre d olivet 1767 1825 this classic study of music was the first to revive pythagoras ideas of the sacred nature of music and its

the davidic cipher unlocking the hidden music of the psalms - Jan 07 2023

web new way through music the word psalm means literally a sacred melody but what exactly would this music sound like in

biblical times years in the making the davidic

the davidic cipher unlocking the music of the psalms - Nov 05 2022

web the davidic cipher unlocking the music of the psalms mccorkle dennis firth amazon com tr kitap

the davidic cipher unlocking the music of the psalms dennis - Feb 25 2022

web years in the making the davidic cipher finally unlocks the hidden music of the psalms enabling these timeless works to be deciphered and written into traditional musical

the davidic cipher unlocking the music of the psalms - Jan 27 2022

buy the davidic cipher unlocking the music of the psalms book - May 31 2022

web these islamic sects involves the bizarre doctrines and hidden networks of occult secret societies being based on a rosicrucian myth of egyptian freemasonry which see the

the davidic cipher unlocking the music of the psalms - Aug 14 2023

web nov 19 2009 years in the making the davidic cipher finally unlocks the hidden music of the psalms enabling these timeless works to be deciphered and written into traditional

the davidic cipher unlocking the music of the psalms paperback - Apr 10 2023

web years in the making the davidic cipher finally unlocks the hidden music of the psalms enabling these timeless works to be deciphered and written into traditional musical

the davidic cipher unlocking the music of the psalms - Feb 08 2023

web the davidic cipher unlocking the hidden music of the psalms read the bible series book 4 ebook mccorkle dennis amazon co uk books

the davidic cipher unlocking the music of the psalms - Mar 09 2023

web years in the making the davidic cipher finally unlocks the hidden music of the psalms enabling these timeless works to be deciphered and written into traditional musical

the davidic cipher unlocking the hidden music of - Sep 03 2022

web the davidic cipher unlocking the music of the psalms mccorkle dennis firth 9781432749101 books amazon ca

find doc the davidic cipher unlocking the music of the - Jul 01 2022

web amazon in buy the davidic cipher unlocking the music of the psalms book online at best prices in india on amazon in read the davidic cipher unlocking the music of

the davidic cipher by dennis f mccorkle published by - May 11 2023

web making the davidic cipher finally unlocks the hidden music of the psalms enabling these timeless works to be deciphered

and written into traditional musical notation

the davidic cipher unlocking the hidden music of - Jun 12 2023

web dec 10 2009 hear the bible in a whole new way through music the word psalm means literally a sacred melody but what exactly would this music sound like in

the davidic cipher unlocking the music of the psalms - Dec 06 2022

web buy the davidic cipher unlocking the music of the psalms by mccorkle dennis firth isbn 9781432749101 from amazon s book store everyday low prices and free

the davidic cipher unlocking the hidden music of j clinton - Mar 29 2022

web oct 13 2021 the davidic cipher unlocking the music of the psalms dennis firth mc corkle search for books you want to read free by choosing a title in this long list you

the davidic cipher unlocking the music of the psalms goodreads - Jul 13 2023

web hear the bible in a whole new way through music the word psalm means literally a sacred melody but what exactly would this music sound like in biblical times years in

schach von a z alles über eröffnungen taktik strategie und - Sep 23 2021

web download schach fur dummies james eade 9783527711055 laszlo orban free download ebooks library on line books euwe schach von a bis z in deutscher sprache für schach

schach von a z weltbild - Nov 06 2022

web bücher online shop schach von a z von jeremy silman hier bei weltbild bestellen und von der kostenlosen lieferung profitieren jetzt bequem online kaufen

schach von a z alles über eröffnungen taktik strategie und - Oct 25 2021

web schach von a z alles über eröffnungen taktik strategie und endspiele by jeremy silman schach von a z alles über eröffnungen taktik strategie und endspiele by jeremy

schach von a z alles über eröffnungen taktik strategie und - Jan 28 2022

web schach von a z alles über eröffnungen taktik strategie und endspiele by jeremy silman schach von a z anfänger lehrbuch bücher medien schacheröffnungen und theorie

schach von a z alles über eröffnungen taktik strategie und - Feb 26 2022

web alles über schach regeln geschichte sportsregras download schach von a z alles über eröffnungen taktik interessante fakten über schach jocelynkelley sechs goldene

schach von a z alles über eröffnungen taktik strategie und - Nov 25 2021

web von a z alles über eröffnungen taktik schachrätsel verbessere dein schach durch das lösen von schacheröffnungen und

theorie chess eröffnungsempfehlungen für

schach von a z alles über eröffnungen taktik strategie und - Aug 03 2022

web apr 16 2017 schach von a z alles über eröffnungen taktik strategie und endspiele hörbuch book detail buchtitel schach von a z alles über eröffnungen taktik

schach von a z alles über eröffnungen taktik stra download - Aug 15 2023

web jan 21 2023 4731895 schach von a z alles über eröffnungen taktik stra 2 9 downloaded from help frey com on by guest silman 2010 how to reassess your chess

schach von a z alles über eröffnungen taktik stra pdf - Sep 04 2022

web schach von a z alles über eröffnungen taktik stra untersuchungen zur geschichte des deutsch englischen bündnisproblems 1898 1901 feb 17 2020 regensburger

schach von a z alles über eröffnungen taktik strategie und - Oct 05 2022

web schach von a z alles über eröffnungen taktik strategie und endspiele by jeremy silman jugendliche und kinder wenden ist dieses buch für erwachsene konzipiert die die

schach von a z alles über eröffnungen taktik strategie und - Jun 13 2023

web schach von a z alles über eröffnungen taktik strategie und endspiele by jeremy silman um seine chancen im praktischen schach zu verbessern unternahm er es z b das alte

schach von a z alles über eröffnungen taktik strategie und - Mar 10 2023

web schach von a z alles über eröffnungen taktik strategie und endspiele by jeremy silman schach lernen regeln strategien und 10 tipps für eröffnungsempfehlungen für

schach von a z alles über eröffnungen taktik stra 2022 - Apr 30 2022

web as this schach von a z alles über eröffnungen taktik stra it ends happening visceral one of the favored ebook schach von a z alles über eröffnungen taktik stra

schach von a z alles über eröffnungen taktik stra Борис - May 12 2023

web schach von a z alles über eröffnungen taktik stra as recognized adventure as with ease as experience virtually lesson amusement as competently as pact can be gotten

schach von a z alles über eröffnungen taktik strategie und - Jun 01 2022

web aug 19 2017 schach von a z alles über eröffnungen taktik strategie und endspiele downloade das hörbuch gratis book detail buchtitel schach von a z alles über

schach von a z alles über eröffnungen taktik stra book - Jan 08 2023

web schach von a z alles über eröffnungen taktik stra schach problem heft 01 2019 aug 27 2021 schach problem 01 2019 die

rätselhaften seiten von fritz schach

schach von a z alles über eröffnungen taktik stra jeremy - Dec 27 2021

web it is your totally own grow old to achievement reviewing habit among guides you could enjoy now is schach von a z alles über eröffnungen taktik stra below silman s chess

download solutions schach von a z alles über eröffnungen - Jul 02 2022

web schach von a z alles über eröffnungen taktik stra alles über steuern von a z s ausg 2 neubearb apr 05 2020 dr abraham kuyper sep 03 2022 400 hunderassen

schach von a bis z ein schachlehrbuch der sonderklasse - Dec 07 2022

web dieses buch gibt es in einer neuen auflage schach von a bis z ein schachlehrbuch der sonderklasse 22 80 7 nur noch 3 auf lager mehr ist unterwegs im gegensatz zu

schach von a z alles über eröffnungen taktik stra pdf pdf - Apr 11 2023

web schach von a z alles über eröffnungen taktik stra pdf but end up in harmful downloads rather than enjoying a fine book as soon as a cup of coffee in the afternoon

schach von a z alles über eröffnungen taktik strategie und - Jul 14 2023

web schach für dummies eade james kategorie garten starter das ultimative einsteiger wissen pdf epub schach von a z alles über eröffnungen taktik schach für dummies james

alles schach de - Mar 30 2022

web alles schach de alles rund um s schach naja alles ist etwas hochgegriffen zugegeben immerhin gibt es viele ideen was hier noch hin kann eine schach

schach von a z - Feb 09 2023

web mit schach von a z wird ein traum für jeden amateur wahr angesichts der reichhaltigkeit der strategischen und taktischen ideen im schach erwerben lernende