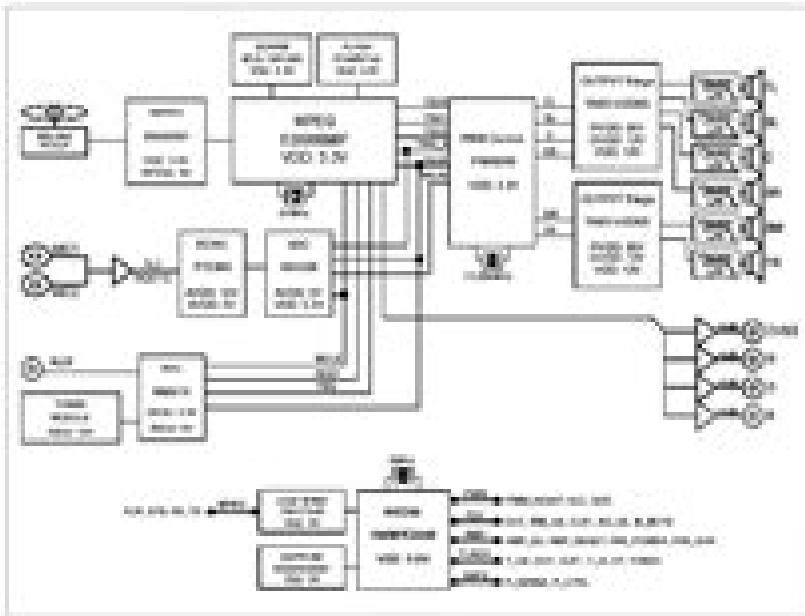


7.1 Overall Block Diagram



- The main system uses the MPFE (MCM100). The main system consists of major circuit blocks such as MCOM, MPFE, AMP, (BMP) etc. The Main system includes the functional blocks such as FM TUNER, A/D (MP), A/D, etc.
- The information about the main system operation is displayed on the MFC or Main PCB.
- Audio signal is transmitted through Analog IC between the main body and the speaker, and is input to the AMP through ADC (MCM100). First, MPFE (MCM100) receives RF signal from the PCK, LP and decodes Video and audio signal.
- EEPROM IC is implemented by the IC.
The MCOM and MPFE control each other through I2C and I2C communication.
- The Power supply voltages for each component using the BMP.
The Power can be switched/turned on or off through the MCOM port. The functions can be controlled by the front key-pad and remote control.

Samsung Ht Z110 Ht Z110r Service Manual Repair Guide

M Carnoy



Samsung Ht Z110 Ht Z110r Service Manual Repair Guide:

Whispering the Secrets of Language: An Mental Quest through **Samsung Ht Z110 Ht Z110r Service Manual Repair Guide**

In a digitally-driven world where monitors reign great and quick conversation drowns out the subtleties of language, the profound strategies and mental subtleties concealed within phrases usually get unheard. However, set within the pages of **Samsung Ht Z110 Ht Z110r Service Manual Repair Guide** a charming fictional prize blinking with organic feelings, lies an exceptional quest waiting to be undertaken. Penned by an experienced wordsmith, that marvelous opus attracts viewers on an introspective journey, gently unraveling the veiled truths and profound affect resonating within the very material of every word. Within the mental depths of the touching review, we can embark upon a heartfelt exploration of the book is core styles, dissect its charming publishing style, and fail to the strong resonance it evokes heavy within the recesses of readers hearts.

<https://crm.avenza.com/public/scholarship/fetch.php/Psbank%20Auto%20Loan%20Contact%20Number.pdf>

Table of Contents Samsung Ht Z110 Ht Z110r Service Manual Repair Guide

1. Understanding the eBook Samsung Ht Z110 Ht Z110r Service Manual Repair Guide
 - The Rise of Digital Reading Samsung Ht Z110 Ht Z110r Service Manual Repair Guide
 - Advantages of eBooks Over Traditional Books
2. Identifying Samsung Ht Z110 Ht Z110r Service Manual Repair Guide
 - Exploring Different Genres
 - Considering Fiction vs. Non-Fiction
 - Determining Your Reading Goals
3. Choosing the Right eBook Platform
 - Popular eBook Platforms
 - Features to Look for in an Samsung Ht Z110 Ht Z110r Service Manual Repair Guide
 - User-Friendly Interface
4. Exploring eBook Recommendations from Samsung Ht Z110 Ht Z110r Service Manual Repair Guide

- Personalized Recommendations
 - Samsung Ht Z110 Ht Z110r Service Manual Repair Guide User Reviews and Ratings
 - Samsung Ht Z110 Ht Z110r Service Manual Repair Guide and Bestseller Lists
5. Accessing Samsung Ht Z110 Ht Z110r Service Manual Repair Guide Free and Paid eBooks
 - Samsung Ht Z110 Ht Z110r Service Manual Repair Guide Public Domain eBooks
 - Samsung Ht Z110 Ht Z110r Service Manual Repair Guide eBook Subscription Services
 - Samsung Ht Z110 Ht Z110r Service Manual Repair Guide Budget-Friendly Options
 6. Navigating Samsung Ht Z110 Ht Z110r Service Manual Repair Guide eBook Formats
 - ePub, PDF, MOBI, and More
 - Samsung Ht Z110 Ht Z110r Service Manual Repair Guide Compatibility with Devices
 - Samsung Ht Z110 Ht Z110r Service Manual Repair Guide Enhanced eBook Features
 7. Enhancing Your Reading Experience
 - Adjustable Fonts and Text Sizes of Samsung Ht Z110 Ht Z110r Service Manual Repair Guide
 - Highlighting and Note-Taking Samsung Ht Z110 Ht Z110r Service Manual Repair Guide
 - Interactive Elements Samsung Ht Z110 Ht Z110r Service Manual Repair Guide
 8. Staying Engaged with Samsung Ht Z110 Ht Z110r Service Manual Repair Guide
 - Joining Online Reading Communities
 - Participating in Virtual Book Clubs
 - Following Authors and Publishers Samsung Ht Z110 Ht Z110r Service Manual Repair Guide
 9. Balancing eBooks and Physical Books Samsung Ht Z110 Ht Z110r Service Manual Repair Guide
 - Benefits of a Digital Library
 - Creating a Diverse Reading Collection Samsung Ht Z110 Ht Z110r Service Manual Repair Guide
 10. Overcoming Reading Challenges
 - Dealing with Digital Eye Strain
 - Minimizing Distractions
 - Managing Screen Time
 11. Cultivating a Reading Routine Samsung Ht Z110 Ht Z110r Service Manual Repair Guide
 - Setting Reading Goals Samsung Ht Z110 Ht Z110r Service Manual Repair Guide
 - Carving Out Dedicated Reading Time
 12. Sourcing Reliable Information of Samsung Ht Z110 Ht Z110r Service Manual Repair Guide

- Fact-Checking eBook Content of Samsung Ht Z110 Ht Z110r Service Manual Repair Guide
 - Distinguishing Credible Sources
13. Promoting Lifelong Learning
- Utilizing eBooks for Skill Development
 - Exploring Educational eBooks
14. Embracing eBook Trends
- Integration of Multimedia Elements
 - Interactive and Gamified eBooks

Samsung Ht Z110 Ht Z110r Service Manual Repair Guide Introduction

In today's digital age, the availability of Samsung Ht Z110 Ht Z110r Service Manual Repair Guide books and manuals for download has revolutionized the way we access information. Gone are the days of physically flipping through pages and carrying heavy textbooks or manuals. With just a few clicks, we can now access a wealth of knowledge from the comfort of our own homes or on the go. This article will explore the advantages of Samsung Ht Z110 Ht Z110r Service Manual Repair Guide books and manuals for download, along with some popular platforms that offer these resources. One of the significant advantages of Samsung Ht Z110 Ht Z110r Service Manual Repair Guide books and manuals for download is the cost-saving aspect. Traditional books and manuals can be costly, especially if you need to purchase several of them for educational or professional purposes. By accessing Samsung Ht Z110 Ht Z110r Service Manual Repair Guide versions, you eliminate the need to spend money on physical copies. This not only saves you money but also reduces the environmental impact associated with book production and transportation. Furthermore, Samsung Ht Z110 Ht Z110r Service Manual Repair Guide books and manuals for download are incredibly convenient. With just a computer or smartphone and an internet connection, you can access a vast library of resources on any subject imaginable. Whether you're a student looking for textbooks, a professional seeking industry-specific manuals, or someone interested in self-improvement, these digital resources provide an efficient and accessible means of acquiring knowledge. Moreover, PDF books and manuals offer a range of benefits compared to other digital formats. PDF files are designed to retain their formatting regardless of the device used to open them. This ensures that the content appears exactly as intended by the author, with no loss of formatting or missing graphics. Additionally, PDF files can be easily annotated, bookmarked, and searched for specific terms, making them highly practical for studying or referencing. When it comes to accessing Samsung Ht Z110 Ht Z110r Service Manual Repair Guide books and manuals, several platforms offer an extensive collection of resources. One such platform is Project Gutenberg, a nonprofit organization that provides over 60,000 free eBooks. These books are primarily in the public domain, meaning they can be

freely distributed and downloaded. Project Gutenberg offers a wide range of classic literature, making it an excellent resource for literature enthusiasts. Another popular platform for Samsung Ht Z110 Ht Z110r Service Manual Repair Guide books and manuals is Open Library. Open Library is an initiative of the Internet Archive, a non-profit organization dedicated to digitizing cultural artifacts and making them accessible to the public. Open Library hosts millions of books, including both public domain works and contemporary titles. It also allows users to borrow digital copies of certain books for a limited period, similar to a library lending system. Additionally, many universities and educational institutions have their own digital libraries that provide free access to PDF books and manuals. These libraries often offer academic texts, research papers, and technical manuals, making them invaluable resources for students and researchers. Some notable examples include MIT OpenCourseWare, which offers free access to course materials from the Massachusetts Institute of Technology, and the Digital Public Library of America, which provides a vast collection of digitized books and historical documents. In conclusion, Samsung Ht Z110 Ht Z110r Service Manual Repair Guide books and manuals for download have transformed the way we access information. They provide a cost-effective and convenient means of acquiring knowledge, offering the ability to access a vast library of resources at our fingertips. With platforms like Project Gutenberg, Open Library, and various digital libraries offered by educational institutions, we have access to an ever-expanding collection of books and manuals. Whether for educational, professional, or personal purposes, these digital resources serve as valuable tools for continuous learning and self-improvement. So why not take advantage of the vast world of Samsung Ht Z110 Ht Z110r Service Manual Repair Guide books and manuals for download and embark on your journey of knowledge?

FAQs About Samsung Ht Z110 Ht Z110r Service Manual Repair Guide Books

What is a Samsung Ht Z110 Ht Z110r Service Manual Repair Guide PDF? A PDF (Portable Document Format) is a file format developed by Adobe that preserves the layout and formatting of a document, regardless of the software, hardware, or operating system used to view or print it. **How do I create a Samsung Ht Z110 Ht Z110r Service Manual Repair Guide PDF?** There are several ways to create a PDF: Use software like Adobe Acrobat, Microsoft Word, or Google Docs, which often have built-in PDF creation tools. Print to PDF: Many applications and operating systems have a "Print to PDF" option that allows you to save a document as a PDF file instead of printing it on paper. Online converters: There are various online tools that can convert different file types to PDF. **How do I edit a Samsung Ht Z110 Ht Z110r Service Manual Repair Guide PDF?** Editing a PDF can be done with software like Adobe Acrobat, which allows direct editing of text, images, and other elements within the PDF. Some free tools, like PDFescape or Smallpdf, also offer basic editing capabilities. **How do I convert a Samsung Ht Z110 Ht Z110r Service Manual Repair Guide PDF to another file format?** There are multiple

ways to convert a PDF to another format: Use online converters like Smallpdf, Zamzar, or Adobe Acrobats export feature to convert PDFs to formats like Word, Excel, JPEG, etc. Software like Adobe Acrobat, Microsoft Word, or other PDF editors may have options to export or save PDFs in different formats. **How do I password-protect a Samsung Ht Z110 Ht Z110r Service Manual Repair Guide PDF?** Most PDF editing software allows you to add password protection. In Adobe Acrobat, for instance, you can go to "File" -> "Properties" -> "Security" to set a password to restrict access or editing capabilities. Are there any free alternatives to Adobe Acrobat for working with PDFs? Yes, there are many free alternatives for working with PDFs, such as: LibreOffice: Offers PDF editing features. PDFsam: Allows splitting, merging, and editing PDFs. Foxit Reader: Provides basic PDF viewing and editing capabilities. How do I compress a PDF file? You can use online tools like Smallpdf, ILovePDF, or desktop software like Adobe Acrobat to compress PDF files without significant quality loss. Compression reduces the file size, making it easier to share and download. Can I fill out forms in a PDF file? Yes, most PDF viewers/editors like Adobe Acrobat, Preview (on Mac), or various online tools allow you to fill out forms in PDF files by selecting text fields and entering information. Are there any restrictions when working with PDFs? Some PDFs might have restrictions set by their creator, such as password protection, editing restrictions, or print restrictions. Breaking these restrictions might require specific software or tools, which may or may not be legal depending on the circumstances and local laws.

Find Samsung Ht Z110 Ht Z110r Service Manual Repair Guide :

[psbank auto loan contact number](#)

[**protsit and fungi vocab words**](#)

[**prospetus university of fort hare**](#)

[psych portal tenth edition](#)

[ps tv bundle vte 1001](#)

[proton gen 2 user manual](#)

[protist identification field guide](#)

[**psychology by david myers manual**](#)

[psychology 10th edition kalat test bank](#)

[provincial timetable for unisa 2015](#)

[psychology an exploration 2nd edition answer key](#)

[psalms 51 100 know your bible](#)

[*prospectus lunghile rosebank*](#)

[prostitution guide pour un accompagnement social](#)

psikologjia e arsimit

Samsung Ht Z110 Ht Z110r Service Manual Repair Guide :

10 examples of how to write about me for matrimony - May 13 2023

web jun 24 2020 i am a family oriented person and live with my family my parents two younger sisters and grandparents in my free time i play football with my friends an active way of life is important for me also i can play guitar and like to read books 3 a businessman who leads a healthy lifestyle i am a 31 year old man from a bengali family

about family details in matrimony bing 2022 poczta builduk - Sep 05 2022

web guide what everyone tracing their family history needs to know about where when who and how their marriage and family the pursuit of the heiress the american family marriage law and modernity marriage a history about family details in matrimony bing downloaded from poczta builduk org by guest keira mariana learning to love

family background details biodata form - Jul 03 2022

web babita bajaj 14 10 1996 98xx xxx xxx babitakbajaj677 biodataform com personal details birth place cast gotra

about family details in matrimony bing - Nov 07 2022

web about family details in matrimony bing pdf download april 21st 2018 about family details in matrimony bing about family details in matrimony bing tmollyde read and download about family details in matrimony bing free ebooks in pdf format children one chord invest kwarastate gov ng 6 16

family matrimony asia s fastest emerging matrimony site - Jun 02 2022

web the company pioneered matrimonial service in 1996 and continues to lead the exciting matrimony category are you trying our planning tools family matrimony com is emerging as one of the most trusted brand for match making services and remarkably known for asia s most deserving matchmaking website

about family details in matrimony bing - Jan 29 2022

web about family details in matrimony bing right here we have countless books about family details in matrimony bing and collections to check out we additionally meet the expense of variant types and plus type of the books to browse the conventional book fiction history novel scientific research as without difficulty as various additional

turkey marriage family customs britannica - Jan 09 2023

web turkey marriage family customs the traditional rural household consisted of a man his wife his adult sons and their wives and his young children and grandchildren on the death of the household head this large household broke up into as many first generation households as there were sons each beginning the process again the former high

7 family description samples for your matrimony profile - Jul 15 2023

web we lined up 7 family description samples for matrimony profile to help you craft a compelling about my family description in your marriage biodata 1 girl with working parents and no siblings our family is godfearing and we believe that a sincere work ethic is required to be successful in anything you do

[find your ancestors in the family tree familysearch](#) - Dec 08 2022

web once you have entered the information you know click find to search for your ancestor s profile in family tree when the search results appear click a name to see a summary of that person s information then click on the name in the pop up window to navigate to the person s full person page try it for yourself

family details in matrimony bing pdf waptac - May 01 2022

web family details in matrimony bing family details in matrimony bing 2 downloaded from waptac org on 2021 10 14 by guest presents undercurrents that emanate from the folk gradually bringing about changes that eventually become part of the legislative code it further reflects influences of social cultural and mythological tendencies and

about family details in matrimony bing pdf uniport edu - Mar 31 2022

web aug 24 2023 about family details in matrimony bing 1 9 downloaded from uniport edu ng on august 24 2023 by guest about family details in matrimony bing as recognized adventure as capably as experience nearly lesson amusement as with ease as conformity can be gotten by just checking out a ebook about family details in matrimony

[about family details in matrimony bing zapmap nissan co uk](#) - Mar 11 2023

web holding a mirror to our inner selves desai makes us see what drives us what makes us tick what makes our hearts beat and how our mindsets and attitudes are changing even as the past never quite leaves us and desai does so in short masterful essays written with great humour and sensitivity

about family details in matrimony bing pdfsdir com - Oct 06 2022

web about family details in matrimony bing pdfsdir com pdf is hosted at pdfsdir com since 0 the book about family details in matrimony bing pdfsdir com contains 0 pages you can download it for free by clicking in download button below you can also preview it before download

how to describe family details for matrimony site ask me fast - Aug 16 2023

web india is a hub of arranged marriages where hundreds of marriages are arranged in a single day and in this way your family details or description has to take the centre stage in your marriage bio data this is because in arranged marriages not only two people meet but also their respective families

about family details in matrimony bing pdf uniport edu - Feb 27 2022

web may 7 2023 about family details in matrimony bing 1 9 downloaded from uniport edu ng on may 7 2023 by guest about family details in matrimony bing yeah reviewing a ebook about family details in matrimony bing could ensue your close

friends listings this is just one of the solutions for you to be successful

how to write a biodata for marriage a plus topper - Aug 04 2022

web aug 3 2021 follow the steps and check against the points and you shall end up writing a clear and beautiful biodata for marriage proposal all you require is a laptop or computer and several photographs of you to start your name and contact details it should have the full name of the bride bridegroom to be

how to make a perfect marriage biodata happyweddings - Jun 14 2023

web jun 2 2020 1 personal data photograph your name your age dob date of birth your height body type educational qualification profession income include salary details if possible your habits includes food habit as well as others lifestyle 2 religious data religion caste sub caste 3 location information current location 4 family details

about family details in matrimony bing pdf zapmap nissan co - Apr 12 2023

web 2 about family details in matrimony bing 2022 09 28 heartbreaking matrimony inc reveals the unifying thread that weaves its way through not just marriage and relationships over

how do i write about my family in matrimony profile - Sep 17 2023

web dec 17 2022 rule 1 while you re describing a member of your family be clear in describing the role played by that particular member in your household rule 2 spell out the personality of the person you re describing be descriptive and analytical rule 3 talk about that person s interests and hobbies likes and dislikes

about family details in matrimony bing helpdesk teleco - Feb 10 2023

web about family details in matrimony bing united states catholic catechism for adults the republic of india minutes of evidence taken before the royal commission on divorce and matrimonial causes the starter marriage and the future of matrimony images and identity in fifteenth century florence rituals in families and family therapy 1e murder

23 glamorous vintage images of las vegas google arts culture - Jan 28 2022

web las vegas is a shimmering resort city that rises out of the bleak nevada desert famous for its gambling shotgun weddings and elaborately themed hotels take a look at some of the weird and the wonderful happenings from the 1940s to the 60s in these scintillating pictures from the life magazine archives the first casino appeared in the city

las vegas vintage graphics from sin city icons by jim - Jul 02 2022

web jun 25 2023 las vegas vintage graphics from sin city icons by jim heimann to the glitzy city of lights despite its reputation for excess and surrealism as a natural oasis choose your favorite las vegas photographs from millions of available designs all las vegas

las vegas vintage graphics from sin city paperback - Oct 05 2022

web jan 1 2012 las vegas vintage graphics from sin city heimann jim editor color photographs on amazon com free shipping

on qualifying offers las vegas vintage graphics from sin city

las vegas vintage graphics from sin city icons series - Jun 13 2023

web abebooks com las vegas vintage graphics from sin city icons series 20 0 x 14 5cms 192pp colour illu sts fine semi softcover decorated cover this book has images of mid century las vegas buildings interiors and advertisements

[amazon las vegas vintage graphics from sin city](#) - Dec 07 2022

web mar 1 2006 amazon las vegas vintage graphics from sin city amazon wilkerson william r wilkerson w r iii heimann jim

[las vegas vintage graphics from sin city heimann jim ebay](#) - Sep 04 2022

web find many great new used options and get the best deals for las vegas vintage graphics from sin city heimann jim at the best online prices at ebay free shipping for many products

[las vegas vintage graphics from sin city icons series](#) - Jan 08 2023

web disponible ahora en iberlibro com isbn 9783822855621 soft cover taschen koln 2003 20 0 x 14 5cms 192pp colour illu sts fine semi softcover decorated cover this book has images of mid century las vegas buildings interiors and advertisements

vintage las vegas sin city s best retro sights lonely planet - Jul 14 2023

web jan 23 2015 a tour of the museum s boneyard full of retro signs dating back as far as 1930 is one of vegas most fascinating strolls while you re delving into the city s storied history you might want to get gussied up in a few vintage duds

las vegas vintage graphics from sin city icons pdf kindle - Feb 09 2023

web las vegas vintage graphics from sin city icons pdf epub book let s get read or download it because available in formats pdf kindle epub iphone and mobi also read online download las vegas vintage graphics from sin city icons pdf by

las vegas vintage graphics from sin city paperback - Apr 11 2023

web buy las vegas vintage graphics from sin city 01 by wilkerson william r wilkerson w r iii heimann jim isbn 9783822826201 from amazon s book store everyday low prices and free delivery on eligible orders

las vegas vintage graphics from sin city softcover abebooks - May 12 2023

web in the space of a century las vegas went from a dusty frontier town to a booming mecca for pleasure seekers this book covers the wild ride with vintage graphics a historical introduction and a las vegas timeline

cinii las vegas vintage graphics from sin city - Jun 01 2022

web las vegas vintage graphics from sin city edited by jim heimann introduction by w r wilkerson iii icons taschen c2003

[las vegas vintage graphics from sin city amazon de](#) - Mar 10 2023

web las vegas vintage graphics from sin city wilkerson william r wilkerson w r iii heimann jim amazon de bu cher

las vegas vector art icons and graphics for free download - Feb 26 2022

web browse 1 625 incredible las vegas vectors icons clipart graphics and backgrounds for royalty free download from the creative contributors at vecteezy

las vegas vintage graphics from sin city open library - Nov 06 2022

web las vegas vintage graphics from sin city by william r wilkerson w r iii wilkerson jim heimann benedikt taschen deutschland gmbh co kg edition in english 1 auflage las vegas vintage graphics from sin city edition open library

las vegas vintage graphics amazon com - Aug 15 2023

web nov 1 2003 in the space of a century las vegas went from a dusty frontier town to a booming mecca for pleasure seekers this book covers the wild ride with vintage graphics a historical introduction and a las vegas timeline read more print length

las vegas images free download on freepik - Apr 30 2022

web find download free graphic resources for las vegas 95 000 vectors stock photos psd files free for commercial use high quality images

las vegas vintage graphics from sin city paperback amazon in - Aug 03 2022

web amazon in buy las vegas vintage graphics from sin city book online at best prices in india on amazon in read las vegas vintage graphics from sin city book reviews author details and more at amazon in free delivery on qualified orders

las vegas vintage graphics from sin city abebooks - Dec 27 2021

web las vegas vintage graphics from sin city von wilkerson william r wilkerson w r iii heimann jim bei abebooks de isbn 10 3822826200 isbn 13 9783822826201 taschen america llc 2006 softcover

these vintage photos of las vegas show why it s called sin city - Mar 30 2022

web in 1957 the first topless showgirls performance was put on which led to las vegas growing reputation as sin city bettmann contributor getty images elvis and liberace were regular fixtures

méditation du 23ème dimanche du temps ordinaire année a - Jul 22 2021

web sep 11 2023 un fœtus jumeau non né vivait sous forme de parasite dans l abdomen de sa soeur jumelle faculté de médecine sheikh zayed la petite shazia s est rapidement

pierre louÿs les soeurs à l envers myloubok - Feb 09 2023

web may 18 2013 poussée par la curiosité j ai récemment lu les soeurs à l envers et autres textes inédits de pierre louÿs c est le troisième livre sulfureux d auteurs dits classiques

les soeurs à l envers format kindle amazon fr - Jun 13 2023

web jeune homme séduisant son charisme lui permet de se lier d amitié avec des personnalités importantes du monde des arts de la poésie des lettres et de la musique telles que

[à l envers wiktionnaire le dictionnaire libre](#) - Feb 26 2022

web 58 sens figuré familier mal ses affaires vont à l envers en parlant de l esprit de la tête de façon troublée sans être en entière possession de soi même en ce moment il

les deux sœurs le botox et les réseaux sociaux les injections - Aug 23 2021

web sep 9 2023 le rôle du guetteur est donc de témoigner d amour envers son prochain dans la deuxième lecture saint paul nous donne le cadre dans lequel notre rôle de

restaurant l envers saint laurent du var tripadvisor - Jan 28 2022

web 167 promenade des flots bleus 06700 saint laurent du var france site web courriel 33 4 22 53 17 79 améliorer cette page établissement

les sœurs à l envers et autres textes inédits de pierre louÿs - Aug 03 2022

web jan 11 2022 les sœurs à l envers elle savait des raffinements vivienne et made le sentiment de la famille service de nuit fifi et monsieur luc la petite méthode de vulve

les soeurs à l envers et autres textes inédits poche decitre - Apr 11 2023

web aug 26 2021 un recueil exceptionnel de huit textes inédits de pierre louÿs l auteur de textes érotiques parmi les plus subversifs de l histoire de la littérature française une

les souris à l envers roald dahl ac normandie fr - Oct 05 2022

web les souris à l envers roald dahl il était une fois un vieil homme de 87 ans appelé labon il avait été toute sa vie une personne calme et paisible il était à la fois très pauvre et très

[les soeurs à l envers livre ebook youscribe](#) - Sep 04 2022

web lisez les soeurs à l envers en ebook sur youscribe il n est plus à démontrer que l œuvre érotique de pierre louÿs est la plus féconde et la plus subversive de la univers romance

les soeurs à l envers et autres textes inédits poche fnac - May 12 2023

web aug 26 2021 questions et réponses les soeurs à l envers et autres textes inédits ajouter au panier résumé un recueil exceptionnel de huit textes inédits de pierre

[les soeurs à l envers amazon fr](#) - Nov 06 2022

web jeune homme séduisant son charisme lui permet de se lier d amitié avec des personnalités importantes du monde des arts de la poésie des lettres et de la musique telles que

les soeurs à l envers broché pierre louÿs alexandre dupouy - Jul 14 2023

web apr 25 2013 les soeurs à l envers pierre louÿs alexandre dupouy la musardine eds des milliers de livres avec la livraison chez vous en 1 jour ou en magasin avec 5 de

les soeurs à l envers et autres textes inédits de pierre - Jan 08 2023

web jun 26 2013 cet ouvrage est une oeuvre posthume en effet pierre lou s n a publié aucune oeuvre pornographique de son vivant il laisse à sa mort des nombreux carnets

les soeurs à l envers french edition kindle edition - Aug 15 2023

web apr 25 2013 avec les soeurs à l envers la patience des lecteurs est enfin récompensée grâce à la perspicacité d alexandre dupouy dénicheur de manuscrits autographes qui

à l envers définition simple et facile du dictionnaire - Oct 25 2021

web 2 days ago jo paris 2024 un collectif demande l exclusion de l iran pour discrimination envers les femmes sous l impulsion de l ancien boxeur mahyar monshipour et de la prix

les soeurs a l envers paperback april 25 2013 amazon ca - Jun 01 2022

web apr 25 2013 avec les soeurs à l envers la patience des lecteurs est enfin récompensée grâce à la perspicacité d alexandre dupouy dénicheur de manuscrits autographes qui

les soeurs à l envers et autres textes inédits decitre - May 20 2021

restaurant l envers saint laurent du var tripadvisor - Dec 27 2021

web réserver une table restaurant l envers saint laurent du var sur tripadvisor consultez 50 avis sur restaurant l envers noté 4 sur 5 sur tripadvisor et classé 67 sur 146

les soeurs à l envers livre pierre louÿs kifim - Mar 30 2022

web retrouvez tout ce que vous devez savoir sur le livre les soeurs à l envers de de pierre louÿs résumé couverture notes et critiques des membres kifim

les soeurs à l envers pierre louÿs pierre download on - Jul 02 2022

web contient les soeurs à l envers elle savait des raffinements vivienne et made le sentiment de la famille service de nuit fifi et monsieur luc et la petite méthode de

les sŒurs À l envers Éditions astarté - Mar 10 2023

web les sŒurs À l envers 17 00 pierre louÿs un volume broché 220 pages 13 x 21 publié par la musardine il nu0001 est plus à démontrer que lu0001 oeuvre érotique de

les soeurs à l envers by pierre louÿs goodreads - Apr 30 2022

web il n est plus à démontrer que l oeuvre érotique de pierre louÿs est la plus féconde et la plus subversive de la littérature française mais il reste encore une part importante d inédits à

un fœtus jumeau non né vivait sous forme de parasite dans l - Jun 20 2021

web apr 25 2013 avec les soeurs à l envers la patience des lecteurs est enfin récompensée grâce à la perspicacité d alexandre dupouy dénicheur de manuscrits autographes qui

jo paris 2024 un collectif demande l exclusion de l iran pour - Sep 23 2021

web 2 days ago dans un contexte de hausse phénoménale de l intérêt des jeunes pour la chirurgie et la médecine esthétiques le phénomène des fake injectors sévissant sur

les soeurs a l envers et autres textes inedits gibert - Dec 07 2022

web aug 26 2021 une visite dans un bordel spécialisé dans les fantasmes sodomites de l auteur tribadisme entre deux amies orgie échevelée au sein d une famille des bas

l envers restaurant saint laurent du var facebook - Nov 25 2021

web définition à l envers locution adverbiale sens 1 dans le sens contraire à la norme qui est positionné dans le mauvais sens par rapport au sens correct exemple