

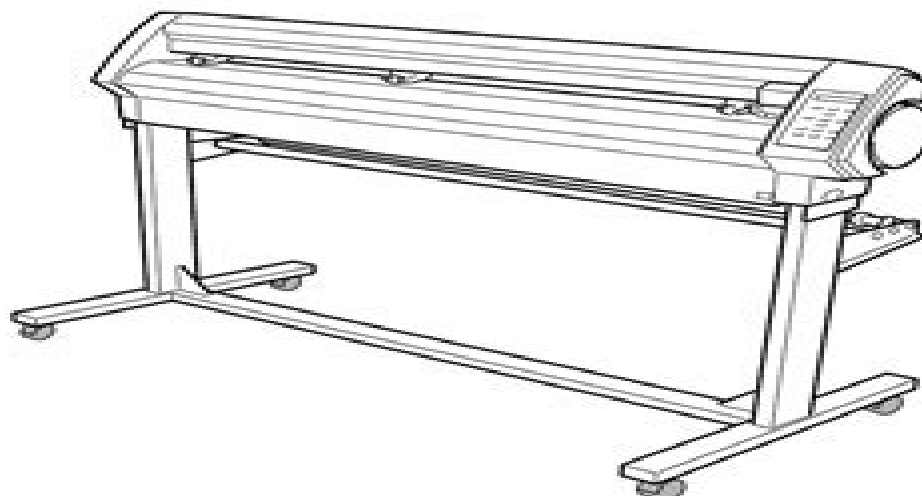
# SERVICE NOTES

## CAMM-1 PRO

Sign Maker by Roland DG Corporation

 Roland

**GX-500**  
**GX-400**  
**GX-300**



### Contents

#### 1. Structure & Spare Parts

1-1 COVERS	1-1
1-2 FRAME	1-2
1-3 DRIVE UNIT	1-4
1-4 CARRIAGE	1-5
1-5 CHASSIS	1-6
1-6 PINCH ROLLER	1-7
1-7 ACCESSORIES	1-8

#### 2. Electrical Section

2-1 WIRING MAP	2-1
2-2 MAIN BOARD	2-3
2-3 OTHER CIRCUIT BOARDS	2-11

#### 3. Replacement of Main Parts

3-1 TOOL CARRIAGE REPLACEMENT	3-1
3-2 CARRIAGE WIRE REPLACEMENT	3-8
3-3 MAIN BOARD REPLACEMENT	3-13
3-4 PINCH ROLLER REPLACEMENT	3-17
3-5 CROP MARK REPLACEMENT	3-19

#### 4. Adjustment

4-1 SPECIAL TOOL	4-1
4-2 SERVICE MODE	4-2
4-3 HOW TO UPGRADE FIRMWARE	4-6
4-4 TOOL HEIGHT ADJUSTMENT	4-8
4-5 BED HEIGHT ADJUSTMENT	4-11
4-6 TOOL PRESSURE ADJUSTMENT	4-14

4-7 WIRE TENSION ADJUSTMENT	4-18
4-8 CALIBRATION	4-18
4-9 CROP MARK SENSOR ADJUSTMENT	4-21
4-10 AUTO CROP-CUT ADJUSTMENT	4-24
4-11 MANUAL CROP-CUT ADJUSTMENT	4-26
4-12 SHEET CUTTER DOWN POSITION ADJUSTM	4-27

#### 5. Supplemental Information

5-1 OPERATIONAL SEQUENCE	5-1
5-2 SENSOR MAP	5-2

#### 6. Troubleshooting

6-1 START AND END POINTS DO NOT MATCH	6-1
6-2 STITCH CUT	6-2
6-3 MEDIA SHIFTING	6-3
6-4 TOOL UP/DOWN ERROR	6-3
6-5 FAN REVOLUTION	6-4
6-6 MOTOR ERROR	6-4
6-7 DISTORTED FIGURE / WAVY LINE	6-5
6-8 CANNOT DETECT CROP MARK	6-6
6-9 PRINT DOES NOT MATCH WITH CUT	6-7

#### 7. Service Activities

7-1 INSTALLATION CHECK LIST	7-1
7-2 MAINTENANCE CHECK LIST	7-8
7-3 SPECIFICATION	7-9

Windows and MS-DOS are registered trademark or trademark of Microsoft Corporation in the United States and/or other countries.

**First Edition**  
GX-500 '06 Sept.

Unauthorized copying or transferal, in whole or in part, of this manual is prohibited.

Copyright © 2006 ROLAND DG CORPORATION

Roland DG Corporation

7-0029-0

# Roland Gx 500 Service Manual

**AN Whitehead**



**Roland Gx 500 Service Manual:**

*Autocar* ,2000    Industrial Photography ,1965    **Keyboard** ,1990    **Byte** ,1985    **Suzuki GS500E** ,1992  
**Suzuki RG500 Service Manual** ,1987    **Motor Repair Manual ... Fifth Edition [of "Motor Repair Work"]**, Etc  
MOTOR REPAIR MANUAL.,1930    **Oldsmobile Service Manual, 1959** General Motors Corporation. Oldsmobile Division.  
Service Department,1958    **Kawasaki GPZ500R, GPZ600R** ,1985    Suzuki T500-II Service Manual ,1969

Delve into the emotional tapestry woven by in Experience **Roland Gx 500 Service Manual** . This ebook, available for download in a PDF format ( \*), is more than just words on a page; itis a journey of connection and profound emotion. Immerse yourself in narratives that tug at your heartstrings. Download now to experience the pulse of each page and let your emotions run wild.

<https://crm.avenza.com/results/Resources/default.aspx/Recipe%20For%20Bunt%20Cake.pdf>

## **Table of Contents Roland Gx 500 Service Manual**

1. Understanding the eBook Roland Gx 500 Service Manual
  - The Rise of Digital Reading Roland Gx 500 Service Manual
  - Advantages of eBooks Over Traditional Books
2. Identifying Roland Gx 500 Service Manual
  - Exploring Different Genres
  - Considering Fiction vs. Non-Fiction
  - Determining Your Reading Goals
3. Choosing the Right eBook Platform
  - Popular eBook Platforms
  - Features to Look for in an Roland Gx 500 Service Manual
  - User-Friendly Interface
4. Exploring eBook Recommendations from Roland Gx 500 Service Manual
  - Personalized Recommendations
  - Roland Gx 500 Service Manual User Reviews and Ratings
  - Roland Gx 500 Service Manual and Bestseller Lists
5. Accessing Roland Gx 500 Service Manual Free and Paid eBooks
  - Roland Gx 500 Service Manual Public Domain eBooks
  - Roland Gx 500 Service Manual eBook Subscription Services
  - Roland Gx 500 Service Manual Budget-Friendly Options

6. Navigating Roland Gx 500 Service Manual eBook Formats
  - ePub, PDF, MOBI, and More
  - Roland Gx 500 Service Manual Compatibility with Devices
  - Roland Gx 500 Service Manual Enhanced eBook Features
7. Enhancing Your Reading Experience
  - Adjustable Fonts and Text Sizes of Roland Gx 500 Service Manual
  - Highlighting and Note-Taking Roland Gx 500 Service Manual
  - Interactive Elements Roland Gx 500 Service Manual
8. Staying Engaged with Roland Gx 500 Service Manual
  - Joining Online Reading Communities
  - Participating in Virtual Book Clubs
  - Following Authors and Publishers Roland Gx 500 Service Manual
9. Balancing eBooks and Physical Books Roland Gx 500 Service Manual
  - Benefits of a Digital Library
  - Creating a Diverse Reading Collection Roland Gx 500 Service Manual
10. Overcoming Reading Challenges
  - Dealing with Digital Eye Strain
  - Minimizing Distractions
  - Managing Screen Time
11. Cultivating a Reading Routine Roland Gx 500 Service Manual
  - Setting Reading Goals Roland Gx 500 Service Manual
  - Carving Out Dedicated Reading Time
12. Sourcing Reliable Information of Roland Gx 500 Service Manual
  - Fact-Checking eBook Content of Roland Gx 500 Service Manual
  - Distinguishing Credible Sources
13. Promoting Lifelong Learning
  - Utilizing eBooks for Skill Development
  - Exploring Educational eBooks
14. Embracing eBook Trends
  - Integration of Multimedia Elements

- Interactive and Gamified eBooks

## **Roland Gx 500 Service Manual Introduction**

In today's digital age, the availability of Roland Gx 500 Service Manual books and manuals for download has revolutionized the way we access information. Gone are the days of physically flipping through pages and carrying heavy textbooks or manuals. With just a few clicks, we can now access a wealth of knowledge from the comfort of our own homes or on the go. This article will explore the advantages of Roland Gx 500 Service Manual books and manuals for download, along with some popular platforms that offer these resources. One of the significant advantages of Roland Gx 500 Service Manual books and manuals for download is the cost-saving aspect. Traditional books and manuals can be costly, especially if you need to purchase several of them for educational or professional purposes. By accessing Roland Gx 500 Service Manual versions, you eliminate the need to spend money on physical copies. This not only saves you money but also reduces the environmental impact associated with book production and transportation. Furthermore, Roland Gx 500 Service Manual books and manuals for download are incredibly convenient. With just a computer or smartphone and an internet connection, you can access a vast library of resources on any subject imaginable. Whether you're a student looking for textbooks, a professional seeking industry-specific manuals, or someone interested in self-improvement, these digital resources provide an efficient and accessible means of acquiring knowledge. Moreover, PDF books and manuals offer a range of benefits compared to other digital formats. PDF files are designed to retain their formatting regardless of the device used to open them. This ensures that the content appears exactly as intended by the author, with no loss of formatting or missing graphics. Additionally, PDF files can be easily annotated, bookmarked, and searched for specific terms, making them highly practical for studying or referencing. When it comes to accessing Roland Gx 500 Service Manual books and manuals, several platforms offer an extensive collection of resources. One such platform is Project Gutenberg, a nonprofit organization that provides over 60,000 free eBooks. These books are primarily in the public domain, meaning they can be freely distributed and downloaded. Project Gutenberg offers a wide range of classic literature, making it an excellent resource for literature enthusiasts. Another popular platform for Roland Gx 500 Service Manual books and manuals is Open Library. Open Library is an initiative of the Internet Archive, a non-profit organization dedicated to digitizing cultural artifacts and making them accessible to the public. Open Library hosts millions of books, including both public domain works and contemporary titles. It also allows users to borrow digital copies of certain books for a limited period, similar to a library lending system. Additionally, many universities and educational institutions have their own digital libraries that provide free access to PDF books and manuals. These libraries often offer academic texts, research papers, and technical manuals, making them invaluable resources for students and researchers. Some notable examples include MIT OpenCourseWare, which offers free access to course materials from

the Massachusetts Institute of Technology, and the Digital Public Library of America, which provides a vast collection of digitized books and historical documents. In conclusion, Roland Gx 500 Service Manual books and manuals for download have transformed the way we access information. They provide a cost-effective and convenient means of acquiring knowledge, offering the ability to access a vast library of resources at our fingertips. With platforms like Project Gutenberg, Open Library, and various digital libraries offered by educational institutions, we have access to an ever-expanding collection of books and manuals. Whether for educational, professional, or personal purposes, these digital resources serve as valuable tools for continuous learning and self-improvement. So why not take advantage of the vast world of Roland Gx 500 Service Manual books and manuals for download and embark on your journey of knowledge?

### **FAQs About Roland Gx 500 Service Manual Books**

**What is a Roland Gx 500 Service Manual PDF?** A PDF (Portable Document Format) is a file format developed by Adobe that preserves the layout and formatting of a document, regardless of the software, hardware, or operating system used to view or print it. **How do I create a Roland Gx 500 Service Manual PDF?** There are several ways to create a PDF: Use software like Adobe Acrobat, Microsoft Word, or Google Docs, which often have built-in PDF creation tools. Print to PDF: Many applications and operating systems have a "Print to PDF" option that allows you to save a document as a PDF file instead of printing it on paper. Online converters: There are various online tools that can convert different file types to PDF. **How do I edit a Roland Gx 500 Service Manual PDF?** Editing a PDF can be done with software like Adobe Acrobat, which allows direct editing of text, images, and other elements within the PDF. Some free tools, like PDFescape or Smallpdf, also offer basic editing capabilities. **How do I convert a Roland Gx 500 Service Manual PDF to another file format?** There are multiple ways to convert a PDF to another format: Use online converters like Smallpdf, Zamzar, or Adobe Acrobat's export feature to convert PDFs to formats like Word, Excel, JPEG, etc. Software like Adobe Acrobat, Microsoft Word, or other PDF editors may have options to export or save PDFs in different formats. **How do I password-protect a Roland Gx 500 Service Manual PDF?** Most PDF editing software allows you to add password protection. In Adobe Acrobat, for instance, you can go to "File" -> "Properties" -> "Security" to set a password to restrict access or editing capabilities. Are there any free alternatives to Adobe Acrobat for working with PDFs? Yes, there are many free alternatives for working with PDFs, such as: LibreOffice: Offers PDF editing features. PDFsam: Allows splitting, merging, and editing PDFs. Foxit Reader: Provides basic PDF viewing and editing capabilities. How do I compress a PDF file? You can use online tools like Smallpdf, ILovePDF, or desktop software like Adobe Acrobat to compress PDF files without significant quality loss. Compression reduces the file size, making it easier to share and download. Can I fill out forms in a PDF file? Yes, most PDF viewers/editors like Adobe

Acrobat, Preview (on Mac), or various online tools allow you to fill out forms in PDF files by selecting text fields and entering information. Are there any restrictions when working with PDFs? Some PDFs might have restrictions set by their creator, such as password protection, editing restrictions, or print restrictions. Breaking these restrictions might require specific software or tools, which may or may not be legal depending on the circumstances and local laws.

### **Find Roland Gx 500 Service Manual :**

[recipe for bunt cake](#)

~~[recipe for bran loaf](#)~~

[recipe chicken swiss cheese](#)

~~[recipe blueberry shortcake](#)~~

[recipe for apple desserts](#)

**rebel t2i user guide**

[recipe for cooking pork loin](#)

*[recipe for baked apple chips](#)*

[recipe and frappaccino](#)

[recalculus ullivan 4th dition](#)

**recipe corn maque choux**

**recipe bow tie pasta**

**recipe cranberry orange scones**

**recipe for cajun white sauce**

~~[recipe cucumber dill sauce](#)~~

### **Roland Gx 500 Service Manual :**

*earth system the pearson new international edition - Apr 21 2023*

web jul 14 2015 the first book of its kind to address the issues of global change from a true earth systems perspective the earth system offers a solid emphasis on lessons from

**earth system the kump lee kasting james crane - Nov 16 2022**

web the earth system lee r kump james f kasting robert g crane prentice hall 2010 gaia hypothesis 420 pages the first book of its kind to address the issues of global



**earth system the pearson** - Mar 20 2023

web the earth system lee r kump james f kasting robert g crane pearson education 2011 gaia hypothesis 420 pages for courses in earth systems science offered in  
*the earth system kump 3rd edition* - Oct 03 2021

the earth system 3rd edition abebooks - Jan 18 2023

web synopsis about this title about this edition the first book of its kind to address the issues of global change from a true earth systems perspective the earth system offers a  
*the earth system lee r kump james f kasting robert g* - Jan 06 2022

**earth system 3rd edition 9780321597793 textbooks com** - May 10 2022

web the earth system 3rd edition isbn 13 9780321597793 isbn 0321597796 authors james f kasting robert g crane lee r kump rent buy this is an alternate isbn

the earth system by kump lee r kasting james f biblio - Aug 13 2022

web aug 27 2013 the earth system lee r kump james f kasting robert g crane pearson education aug 27 2013 science 468 pages for courses in earth systems

**the earth system pearson new international edition** - Feb 19 2023

web jul 31 2009 the first textbook of its kind that addresses the issues of global change from a true earth systems perspective the earth system offers a solid emphasis on lessons

**the earth system higher education** - Oct 15 2022

web buy earth system 3rd edition 9780321597793 by lee r kump for up to 90 off at textbooks com

*the earth system lee r kump james f kasting robert g* - Jun 11 2022

web the earth system second edition employs a systems based approach to examine earth science at the global level this text explores how earth s processes have

*earth system the pearson new international edition 3rd edition* - Apr 09 2022

web lynne talley university of california san diego scripps institution of oceanography 9500 gilman dr la jolla ca 92093 0230 courier address 305 nierenberg hall 8810

**I talley s webserver at sio ucsd sam ucsd edu** - Nov 04 2021

earth system the pearson new international edition kump - Feb 07 2022

the earth system lee r kump james f kasting robert g - May 22 2023

web aug 27 2013 earth system the pearson new international edition 3rd edition published by pearson august 26 2013 2014 lee r kump pennsylvania state

*the earth system 3rd edition textbook solutions chegg com* - Dec 05 2021

**earth system 3 edition kump crane** - Jul 12 2022

web abebooks com earth system the pearson new international edition 9781292021638 by kump lee and a great selection of similar new used and collectible books

**the earth system lee r kump james f kasting** - Dec 17 2022

web aug 10 2009 the earth system 3rd edition by kump lee r kasting james f crane robert g note international edition condition new published 2009 08 10

**earth system the pearson** - Jun 23 2023

web earth system the pearson new international edition 3rd edition published by pearson july 22 2013 2013 lee r kump pennsylvania state university james f kasting

*earth system the kump lee kasting james crane robert* - Sep 14 2022

web earth system the pearson new international edition 3rd edition is written by lee r kump james f kasting robert g crane and published by pearson intl the digital

*the earth system pearson new international edition google* - Mar 08 2022

web aug 2 2012 the earth system kump 3rd edition does a superb job with climate change science which is one of the major focii in my course it doesn't hesitate to use real

earth system the kump lee kasting james crane - Aug 25 2023

web jul 30 2009 earth system the 3rd edition published by pearson july 30 2009 2010 lee r kump pennsylvania state university james f kasting pennsylvania state

the earth system kump lee r archive org - Jul 24 2023

web earth system the table of contents cover table of contents glossary 1 global change 2 daisyworld an introduction to systems 3 global energy balance the greenhouse

*amigo brothers by piri thomas shortsonline* - Apr 19 2023

web amigo brothers in this story by piri thomas best friends from a poor neighborhood share a passion for boxing they are both so good that they must compete against each other in a match to decide who will represent their club in the

**amigo brothers plot characters themes thoughtco** - Feb 17 2023

web jul 12 2019 amigo brothers is a short story by piri thomas it was published in 1978 as part of stories from el barrio thomas short story collection for young adults amigo brothers follows two best friends from a poor new york city neighborhood as they prepare to compete against each other in their shared passion boxing

**amigo brothers youtube** - Aug 23 2023

web apr 28 2020 this is piri thomas short story about two friends who have to box each other amigo brothers is a great story for us to learn about comparing and contrasting characters we can also learn

**amigo brothers story pages 1 13 flip pdf download fliphtml5** - Dec 15 2022

web dec 26 2020 amigo brothers by piri thomas background this story is about two friends amigos in spanish living on the lower east side of new york city many boys from the lower east side have dreamed of building a better life by winning the new york golden gloves a boxing tournament started in 1927 by paul gallico a newspaper writer

**amigo brothers summary analysis animations notes and youtube** - Jun 09 2022

web sep 29 2020 subscribe 9 1k views 2 years ago the lesson amigo brothers a story by piri thomas in plus two english is analysed in detail with animations notes and explanations through team teaching

**amigo brother audio story wp publish com** - Apr 07 2022

web amigo brother audio story book review unveiling the power of words in a global driven by information and connectivity the ability of words has are more evident than ever they have the capability to inspire provoke and ignite change such may be the essence of the book amigo brother audio story a literary masterpiece that delves deep to

*amigo brothers summary themes video lesson* - Sep 12 2022

web jan 7 2022 piri thomas amigo brothers is a short story that explores the themes of friendship and competition meet antonio and felix two friends or amigos and discover the role their shared passion

**eolit07hr i xi fm chino valley unified school district** - Nov 14 2022

web 4 amigo brothers amigo brothers by piri thomas background this story is about two friends amigos in spanish living on the lower east side of new york city many boys from the lower east side have dreamed of building a better life by winning the new york golden gloves a boxing tournament started in 1927 by paul gallico a newspaper writer

**audio amigo brothers youtube** - Jul 22 2023

web apr 29 2021 audio amigo brothers brett gilman garside jhs 166 subscribers 19k views 2 years ago piri thomas grew up in new york city s rough spanish harlem neighborhood and began writing his

*amigo brother audio story uniport edu ng* - Mar 06 2022

web may 20 2023 amigo brother audio story 2 9 downloaded from uniport edu ng on may 20 2023 by guest in the lush sicilian countryside where one woman discovers the healing powers of food family and unexpected grace in her darkest hours

it was love at first sight when actress tembi met professional chef saro on a street in florence

**amigo brothers podcast podcast on spotify** - Aug 11 2022

web listen to amigo brothers podcast on spotify music fun story ft william terrance isiac

**amigo b rothers pbworks** - May 20 2023

web amigo b rothers based on the story by piri thomas a n ton io c ru z an d felix v argas w ere both seven teen t h ey h ad been best frien d s for so lon g th ey felt like broth ers t h ey lived in th e sam e ap artm en t h ou se on th e l ow er e ast sid e of m an h attan an tonio was light skinned tall an d th in felix was da rk sho

*amigo brothers by piri thomas amigo brothers story activities* - Mar 18 2023

web start my free trial the short story amigo brothers by piri thomas is about two boys who have grown up together and are such great friends that they feel like brothers set in new york city but heavily influenced by puerto rican culture the story describes the two boys love of boxing

**amigo brother audio story book** - May 08 2022

web jun 11 2020 from the printz honor winning author of airborne comes an absorbing ya novel about a teen boy whose scientist parents take in a chimpanzee to be part of the family for thirteen years ben tomlin was an only child but all that changes when his mother brings home zan an eight day old chimpanzee

**amigo brothers audio youtube** - Feb 05 2022

web aug 24 2017 amigo brothers audio kaitlyn circle 71 subscribers subscribe 44k views 5 years ago amigo brothers audio show more show more amigo brothers audio

*stories amigo brothers by piri thomas english plus podcast* - Sep 24 2023

web jul 9 2021 listen to a story about fierce competition between close friends and brothers felix and antonio today s story is amigo brothers by piri thomas audio podcast

*plus two english amigo brothers piri thomas youtube* - Jun 21 2023

web oct 10 2020 amigo brothers by piri thomas an introduction by a plus two student summary dailyenglish classroom the short story amigo brothers by piri thomas is about two boys who have grown up

[amigo brothers theme lesson plan ela common core](#) - Oct 13 2022

web aug 10 2020 amigo brothers theme lesson plan august 10 2020 by trenton lorcher mr cruz and mr vargas were both seventeen year veterans at golden gloves high school they had been best friends for so long they felt like brothers they lived in the same apartment house on the lower east side of manhattan

**amigo brothers by piri thomas madison county school district** - Jul 10 2022

web in a short story unfolds much more quickly than it does in most novels conflict conflict is the struggle or battle that

characters in a story face in amigo brothers the two main characters face both external and internal conflict the two best friends must battle each other in a boxing ring an external conflict

[audio version of the amigo brothers short story](#) - Jan 16 2023

web amigo brothers by piri thomas amigo brothers story storyboardthat com lesson plans amigo brothers by piri thomas the short story amigo brothers by piri thomas is about two boys who have grown up together and are such great friends that they feel like brothers

[pageant sponsorship letter template pageant planet miss](#) - Jul 04 2023

web promote letters are highly fostered on the pageant world competition attire and various accessories entry services spotlight pages traveling costs and other outlay quickly add up therefore it s essential into turn to donations to help make ends meets

**8 types of donation request letters with donation letter** - Jul 24 2022

web aug 30 2023 donation request letters or donation letters are one of the essential tools in a fundraiser s arsenal these letters can be sent to individuals and businesses depending on the reason for the request the feel of these letters can either be formal or informal we have written an article on writing fundraising letters in the past

**how to write a sponsorship letter 7 templates wildapricot** - Sep 25 2022

web apr 17 2023 unlike a standard fundraising letter that asks for donations grants contributions volunteer time auction items or other gifts a sponsorship letter has a slightly longer reach it focuses on building a relationship with a potential donor and approaches them like a partner including offering an incentive for their support

[sponsorship request letter format sample letters](#) - Jun 22 2022

web a sponsorship request letter for an event is a formal written document sent by an individual group or organization to potential sponsors seeking financial or in kind support for an upcoming event it outlines the details of the event the benefits of sponsoring and how the sponsorship will be utilized

**free request for donation letter template vertex42** - Dec 29 2022

web download a free sample donation request letter template for microsoft word and google docs many people are willing to make a donation to charitable organizations you just need to connect with them writing a request for donation letter is a great way to aid in fundraising especially when properly written

**select to writer a sponsorship letter 7 templates** - Aug 05 2023

web apr 17 2023 skip to main content communication contact sign inbound features member database website builder payments event management

**best practices for writing a donation request letter classy** - Nov 27 2022

web dec 8 2022 when asking for a donation it s important to personalize your donation request letter as much as possible don t assume the reader knows about your cause tell a compelling story express gratitude in advance segment your

*how to write one sponsorship letter 7 templates wildapricot* - Apr 20 2022

web skip for main content contact us sign in features student databank website builder payments

**how to write a donation request letter 5 templates givebutter** - Oct 27 2022

web you can use a donation request letter to notify supporters of a fundraising event ask for online donations or build a donor base for an upcoming program activity benefits of sending although more formal than other kinds of fundraising requests like an in person chat or a facebook post donation letters still pack a punch

**2020 beauty pageant sponsorship letter tg silundika cultural** - Feb 16 2022

web 21 september 2019 dear my name is and i am a contestant for the title of miss tibakalanga beauty pageant to be held on saturday may 23rd 2020 at the tg silundika cultural community centre at gala ward 6 bulilima district

how to ask for donations by text email wording - Jun 03 2023

web the basics of how to ask for donations there are many ways to ask for donations depending on which channel you re using who you re asking when you re asking and whether mercury is in retrograde but there are also some basic steps to keep in mind to ease the asking for donations journey

write the perfect donation request letter with sample letters - Aug 25 2022

web donation thank you letter donation thank you letter is written to thank the donor for fulfilling the donation request letter here is a sample of the letter dear braddon your recent donation of 1 500 was warmly received we are glad that you are concerned with what we are trying to achieve as an organization

**pageant sponsorship letter template pageant planet** - Oct 07 2023

web pageant sponsorship letter template sponsor letters are highly encouraged in the pageant world competition attire and various accessories entry fees spotlight pages traveling costs and other expenses quickly add up therefore it s essential to turn to donations to help make ends meet

*donation request letters and templates for fundraising giving* - May 02 2023

web jan 12 2021 the best donation request letters and templates are personal and use powerful storytelling strategies to connect emotionally with donors smart nonprofits know that fundraising appeals can help you build strong relationships with donors and make them feel like the valuable partner they are

**donation request letters asking for donations made easy** - Feb 28 2023

web donation request letters are a more formal way to ask for donations from individuals and companies they add some tangible significance to a fundraising effort they also allow you to spell out your needs on paper giving the recipient

pageant sponsorship letter template pageant planet masters - May 22 2022

web sponsor letters are highly encouraged in of pageant world competition attire also various accessories getting fees spotlight pages traveling costs and other expenses quickly add up therefore it s essential to turn to donations to aid make ends meet please consider a sponsorship opportunity for the 2015 little girl

**donation request letters what you need to say 16 free** - Sep 06 2023

web donation request letters are nonprofit fundraising letters to be sent out to individuals or other organizations like local businesses while these letters can be sent out at any time of the year they are particularly effective during the holiday season in november and december when people are feeling more charitable

**32 free donation request letter templates examples** - Apr 01 2023

web donation request letter examples are model documents that demonstrate how you may convince a potential donor to support your cause they are written in the language and format of donation request letters and you can use them as a

*pageant donation request letter thegreen guide* - Mar 20 2022

web agriculture student organization request letter reply devices please check out and donation requests received in pageant donation request letter now available for pageant donation request letter school supplies for donation request sample letters below your pageant

pageant sponsorship letter template pageant planet pageant - Jan 30 2023

web some systems have a sponsorship letters template already created others don t so if you re writing your my i would suggest using a sponsorship character document like this sd 2022 donation request letter docx date sponsor name address place state zip dear name of the company person introduction