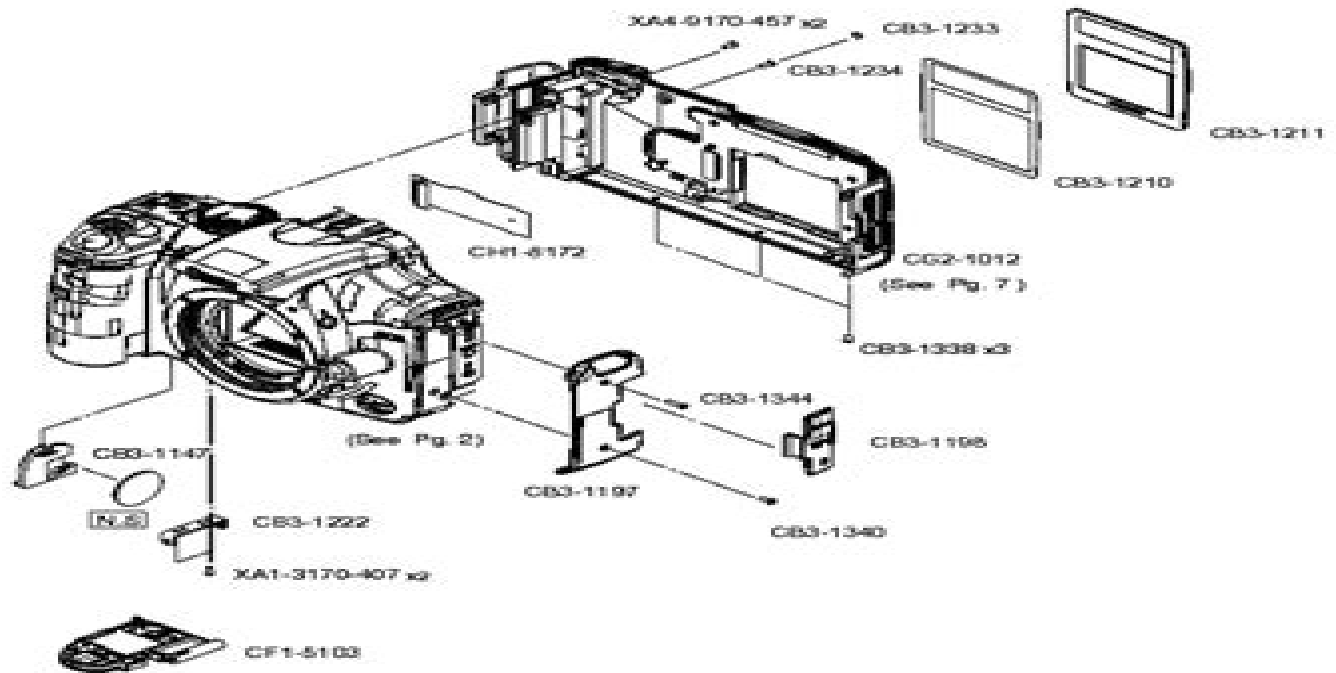


CANON DIGITAL CAMERA EOS KISS DIGITAL
EOS DIGITAL REBEL
EOS 300D DIGITAL



Service Manual Canon 300d

Yi-Tong Ma



Service Manual Canon 300d:

Digital Cinematography David Stump, ASC,2021-11-18 Today s successful cinematographer must be equal parts artist technician and business person The cinematographer needs to master the arts of lighting composition framing and other aesthetic considerations as well as the technology of digital cameras recorders and workflows and must know how to choose the right tools within their budget to get the job done David Stump s Digital Cinematography focuses on the tools and technology of the trade looking at how digital cameras work the ramifications of choosing one camera versus another and how those choices help creative cinematographers to tell a story This book empowers the reader to correctly choose the appropriate camera and workflow for their project from today s incredibly varied options as well as understand the ins and outs of implementing those options Veteran ASC cinematographer David Stump has updated this edition with the latest technology for cameras lenses and recorders as well as included a new section on future cinematographic trends Ideal for advanced cinematography students as well as working professionals looking for a resource to stay on top of the latest trends this book is a must read The Writers Directory ,2013 CA Magazine ,1986 Popular Photography ,2002 British Journal of Photography ,2009 Whitaker's Cumulative Book List ,1978 Liverpool and Manchester Photographic Journal ,2005 Modern Photography ,1987 **Canon AE-1 Program** Larry Lyells,1983 **Canon Sureshot AF35M Service Manual** Larry Lyells,1983 **Stereo Realist Camera Repair Manual** Edward H. Romney,2000-05-01 **Sony Service Manual** Soni Kabushiki Kaisha,1974* **Minolta SRT 101 Service Manual** National Camera, Inc, **Canon EOS 5D Mark IV Instruction Manual** Canon,2018-01-06 Canon EOS 5D Mark IV Instruction Manual Printed in black and white not color 674 Pages Size 5 5 x 6 5 **Master Service Manual** Onan Corporation, **Service Manual for the Doctor of Motors** Perfect Circle Companies,1943* **American Service Manual** Champion Electric Corporation,1946 CANON EOS R100 SIMPLIFIED GUIDE ABDUL. QUADIR, BEA. ESCHEN, BRIAN. FLEIG, CHITTAH. PUBLISHING, DIANA R. BURTON, DIANA. KERSHAW, IRENE. ASHCROFT, NAILAH. BISHOP, PRANAV. PANDYA, TESSA. QUILLAN, 2025 **Delco Service Manual** American Bureau of Engineering, 1920 *Service Manual and Spare Parts List* Electrolux Group, 1948

This is likewise one of the factors by obtaining the soft documents of this **Service Manual Canon 300d** by online. You might not require more mature to spend to go to the book foundation as capably as search for them. In some cases, you likewise accomplish not discover the publication Service Manual Canon 300d that you are looking for. It will definitely squander the time.

However below, as soon as you visit this web page, it will be thus certainly easy to acquire as skillfully as download guide Service Manual Canon 300d

It will not agree to many time as we explain before. You can get it though put it on something else at home and even in your workplace. hence easy! So, are you question? Just exercise just what we give under as without difficulty as review **Service Manual Canon 300d** what you in the same way as to read!

<https://crm.avenza.com/results/detail/default.aspx/s500%202007%20manual.pdf>

Table of Contents Service Manual Canon 300d

1. Understanding the eBook Service Manual Canon 300d
 - The Rise of Digital Reading Service Manual Canon 300d
 - Advantages of eBooks Over Traditional Books
2. Identifying Service Manual Canon 300d
 - Exploring Different Genres
 - Considering Fiction vs. Non-Fiction
 - Determining Your Reading Goals
3. Choosing the Right eBook Platform
 - Popular eBook Platforms
 - Features to Look for in an Service Manual Canon 300d
 - User-Friendly Interface
4. Exploring eBook Recommendations from Service Manual Canon 300d

- Personalized Recommendations
 - Service Manual Canon 300d User Reviews and Ratings
 - Service Manual Canon 300d and Bestseller Lists
5. Accessing Service Manual Canon 300d Free and Paid eBooks
 - Service Manual Canon 300d Public Domain eBooks
 - Service Manual Canon 300d eBook Subscription Services
 - Service Manual Canon 300d Budget-Friendly Options
 6. Navigating Service Manual Canon 300d eBook Formats
 - ePub, PDF, MOBI, and More
 - Service Manual Canon 300d Compatibility with Devices
 - Service Manual Canon 300d Enhanced eBook Features
 7. Enhancing Your Reading Experience
 - Adjustable Fonts and Text Sizes of Service Manual Canon 300d
 - Highlighting and Note-Taking Service Manual Canon 300d
 - Interactive Elements Service Manual Canon 300d
 8. Staying Engaged with Service Manual Canon 300d
 - Joining Online Reading Communities
 - Participating in Virtual Book Clubs
 - Following Authors and Publishers Service Manual Canon 300d
 9. Balancing eBooks and Physical Books Service Manual Canon 300d
 - Benefits of a Digital Library
 - Creating a Diverse Reading Collection Service Manual Canon 300d
 10. Overcoming Reading Challenges
 - Dealing with Digital Eye Strain
 - Minimizing Distractions
 - Managing Screen Time
 11. Cultivating a Reading Routine Service Manual Canon 300d
 - Setting Reading Goals Service Manual Canon 300d
 - Carving Out Dedicated Reading Time
 12. Sourcing Reliable Information of Service Manual Canon 300d

- Fact-Checking eBook Content of Service Manual Canon 300d
 - Distinguishing Credible Sources
13. Promoting Lifelong Learning
- Utilizing eBooks for Skill Development
 - Exploring Educational eBooks
14. Embracing eBook Trends
- Integration of Multimedia Elements
 - Interactive and Gamified eBooks

Service Manual Canon 300d Introduction

In this digital age, the convenience of accessing information at our fingertips has become a necessity. Whether its research papers, eBooks, or user manuals, PDF files have become the preferred format for sharing and reading documents. However, the cost associated with purchasing PDF files can sometimes be a barrier for many individuals and organizations. Thankfully, there are numerous websites and platforms that allow users to download free PDF files legally. In this article, we will explore some of the best platforms to download free PDFs. One of the most popular platforms to download free PDF files is Project Gutenberg. This online library offers over 60,000 free eBooks that are in the public domain. From classic literature to historical documents, Project Gutenberg provides a wide range of PDF files that can be downloaded and enjoyed on various devices. The website is user-friendly and allows users to search for specific titles or browse through different categories. Another reliable platform for downloading Service Manual Canon 300d free PDF files is Open Library. With its vast collection of over 1 million eBooks, Open Library has something for every reader. The website offers a seamless experience by providing options to borrow or download PDF files. Users simply need to create a free account to access this treasure trove of knowledge. Open Library also allows users to contribute by uploading and sharing their own PDF files, making it a collaborative platform for book enthusiasts. For those interested in academic resources, there are websites dedicated to providing free PDFs of research papers and scientific articles. One such website is Academia.edu, which allows researchers and scholars to share their work with a global audience. Users can download PDF files of research papers, theses, and dissertations covering a wide range of subjects. Academia.edu also provides a platform for discussions and networking within the academic community. When it comes to downloading Service Manual Canon 300d free PDF files of magazines, brochures, and catalogs, Issuu is a popular choice. This digital publishing platform hosts a vast collection of publications from around the world. Users can search for specific titles or explore various categories and genres. Issuu offers a seamless reading experience with its user-friendly interface and allows users to download PDF files for offline reading. Apart from dedicated

platforms, search engines also play a crucial role in finding free PDF files. Google, for instance, has an advanced search feature that allows users to filter results by file type. By specifying the file type as "PDF," users can find websites that offer free PDF downloads on a specific topic. While downloading Service Manual Canon 300d free PDF files is convenient, it's important to note that copyright laws must be respected. Always ensure that the PDF files you download are legally available for free. Many authors and publishers voluntarily provide free PDF versions of their work, but it's essential to be cautious and verify the authenticity of the source before downloading Service Manual Canon 300d. In conclusion, the internet offers numerous platforms and websites that allow users to download free PDF files legally. Whether it's classic literature, research papers, or magazines, there is something for everyone. The platforms mentioned in this article, such as Project Gutenberg, Open Library, Academia.edu, and Issuu, provide access to a vast collection of PDF files. However, users should always be cautious and verify the legality of the source before downloading Service Manual Canon 300d any PDF files. With these platforms, the world of PDF downloads is just a click away.

FAQs About Service Manual Canon 300d Books

How do I know which eBook platform is the best for me? Finding the best eBook platform depends on your reading preferences and device compatibility. Research different platforms, read user reviews, and explore their features before making a choice. Are free eBooks of good quality? Yes, many reputable platforms offer high-quality free eBooks, including classics and public domain works. However, make sure to verify the source to ensure the eBook credibility. Can I read eBooks without an eReader? Absolutely! Most eBook platforms offer web-based readers or mobile apps that allow you to read eBooks on your computer, tablet, or smartphone. How do I avoid digital eye strain while reading eBooks? To prevent digital eye strain, take regular breaks, adjust the font size and background color, and ensure proper lighting while reading eBooks. What the advantage of interactive eBooks? Interactive eBooks incorporate multimedia elements, quizzes, and activities, enhancing the reader engagement and providing a more immersive learning experience. Service Manual Canon 300d is one of the best book in our library for free trial. We provide copy of Service Manual Canon 300d in digital format, so the resources that you find are reliable. There are also many Ebooks of related with Service Manual Canon 300d. Where to download Service Manual Canon 300d online for free? Are you looking for Service Manual Canon 300d PDF? This is definitely going to save you time and cash in something you should think about.

Find Service Manual Canon 300d :

~~s500-2007 manual~~

saab service guide 9 3

s5230 dead boot repair

sabbath school study guide 2015 first quarter

saab 900 haynes

saab 9 5 diesel workshop manual

sabbath school quarterly teacher39s edition

sabiston 18th edition

~~safety 1st stand onboard stroller~~

saab manual l300

saab 900s convertible repair manual

sa army application form for 20152016

saab 9service manual

~~saab 97x navigation manual~~

ryobi ra 25manual

Service Manual Canon 300d :

where to download gift from the heart sisters brides 307 engli - Mar 26 2022

web install the gift from the heart sisters brides 307 engli it is definitely easy then since currently we extend the member to purchase and make bargains to download and install gift from the heart sisters brides 307 engli suitably simple yeah

reviewing a ebook gift from the heart sisters brides 307 engli could add your near links listings

gift from the heart sisters brides series 2 love inspired 307 - May 08 2023

web abebooks com gift from the heart sisters brides series 2 love inspired 307 a customer service satisfaction guaranteed book is in new condition

gift from the heart sisters brides book 307 engli pdf free qa - Jul 10 2023

web gift from the heart sisters brides book 307 engli pdf pages 2 24 gift from the heart sisters brides book 307 engli pdf

upload herison z boyle 2 24 downloaded from qa thechesedfund com on august 31 2023 by herison z boyle sisters four

weddings and a bride for every season fiercely independent daisy chance has a dream and it

buy gift from the heart sisters brides series 2 love - Jul 30 2022

web buy gift from the heart sisters brides series 2 love inspired 307 others book by candice poarch from as low as 4 23 buy 3 get 1 free our best sale yet

gift from the heart sisters brides series 2 love inspired 307 - Jan 24 2022

web isbn 9780373873173 paperback love inspired 2005 condition new buy for great customer experience gift from the heart sisters brides series 2 love inspired 307 gift from the heart sisters brides series 2 love inspired 307 by hannon irene new paperback 2005 goldendragon

gift from the heart sisters brides book 307 english edition by - Aug 11 2023

web may 25 2023 contentment each of sisters amp brides novels follows each sister thru trials leading to new hope gift from the heart the second book in the sisters and brides series a novel by irene hannon custom wedding ts are the most fun to give and get so we handpicked the very best personalized wedding

gift from the heart sisters brides book 307 english edition by - Nov 02 2022

web aug 23 2023 gift from the heart sisters amp brides book 307 kindle may 27th 2020 gift from the heart by irene hannon is the second book in the sisters amp brides series i love irene

read pdf gift from the heart sisters brides book 307 - Apr 26 2022

web a guide to celebrating the 12 days of yule heathen style folklore activities and recipes for the whole family to enjoy for 12 days english edition pdf download

friendship gifts from the heart amazon com - Feb 22 2022

web feb 6 2001 with 10 short chapters covering such important topics as acceptance befriending caring forgiving prayer and more this girlfriend book points women to god as the ultimate example for our lives friendship gifts from the heart is the fourth in her gifts from the heart series gives creative meaningful ways to enrich friendships

gift from the heart by irene hannon overdrive ebooks audiobooks - Feb 05 2023

web may 15 2017 to inherit a legacy from her beloved aunt jo their dear old friend the petite blonde agrees to be nicole s nanny for free deep in his soul adam hopes the fragile beauty could be the one to help breach the walls nicole and he have built around their hearts originally published in 2005

gift from the heart sisters brides series 2 - May 28 2022

web gift from the heart sisters brides series 2 love inspired 307 by irene hannon mint condition

9780373873173 gift from the heart sisters brides series 2 - Jun 09 2023

web abebooks com gift from the heart sisters brides series 2 love inspired 307 9780373873173 by hannon irene and a great selection of similar new used and collectible books available now at great prices

gift from the heart sisters brides book 307 engli download - Aug 31 2022

web we offer gift from the heart sisters brides book 307 engli and numerous books collections from fictions to scientific research in any way in the course of them is this gift from the heart sisters brides book 307 engli that can be your partner half of a yellow sun chimamanda ngozi adichie 2010 10 29 with her award winning debut novel

gift from the heart sisters brides 2 band 307 amazon de - Jan 04 2023

web gift from the heart sisters brides 2 band 307 hannon irene isbn 9780373812219 kostenloser versand für alle bücher mit versand und verkauf duch amazon

gift from the heart love inspired large print love inspired 307 - Oct 01 2022

web gift from the heart love inspired large print love inspired 307 sisters brides 2 by irene hannon 0 ratings 0 reviews 0 shelved

gift from the heart sisters brides series 2 love inspired 307 - Sep 12 2023

web jun 28 2005 gift from the heart sisters brides series 2 love inspired 307 hannon irene 9780373873173 amazon com books books

gift from the heart sisters brides book 307 engli pdf free - Jun 28 2022

web gift from the heart mills boon love inspired sisters brides book 2 irene hannon 2011 11 01 since the death of his wife dr adam wright had his hands full practicing medicine and trying to raise his willful eleven year old daughter alone the marriage gift book and bridal token

sisters and brides series by irene hannon goodreads - Dec 03 2022

web by irene hannon 4 29 49 ratings 2 reviews published 2009 6 editions the best gift blake williams owes everything to j want to read rate it the best gift sisters brides 1 gift from the heart sisters brides 2 the unexpected gift sisters brides 3 and the best gift gift fro

gift from the heart sisters brides series 2 love inspired 307 - Mar 06 2023

web isbn 9780373873173 paperback love inspired 2005 condition new new copy customer service guaranteed gift from the heart sisters brides series 2 love inspired 307

gift from the heart irene hannon google books - Apr 07 2023

web in this second novel of the sisters brides miniseries the tragic loss of her family has shaken claire randall s faith while working as a nanny for dr adam wright she soon finds an empty spot in her heart filling with love and joy again original

buying bus tickets in turkey turkey travel planner - Jan 08 2023

web jun 28 2023 purchasing a bus ticket if you re in turkey ask your hotel to telephone a good bus company and reserve your seat a day or two before you plan to travel you then go to the bus terminal in advance and pick up your ticket this way

you ll have a better chance of getting the seat you want front middle sunny side shady side on the
bus ticket reservation system wee kim li 2022 ftp bonide - Oct 05 2022

web bus ticket reservation system wee kim li 3 3 and secure intelligent cloud systems offering both theoretical and practical perspectives it also reveals synergies among various paradigms in the multi disciplinary field of intelligent collaborative systems with the rapid development of the internet we are experiencing a shift from the
bus ticket reservation system wee kim li old vulkk - Apr 30 2022

web 2 bus ticket reservation system wee kim li 2019 07 23 bus ticket reservation system wee kim li downloaded from old vulkk com by guest tristin oneill the unix haters handbook rick steves this book presents the latest innovative research findings methods and development techniques related to intelligent social networks and
bus ticket reservation system wee kim li secure4 khronos - Feb 26 2022

web jun 21 2023 bus ticket reservation system wee kim li this report is submitted in partial fulfillment of the requirements for the bachelor of computer science software development

bus ticket reservation system wee kim li - Jun 01 2022

web 2 bus ticket reservation system wee kim li 2023 06 15 through the ages topkapi showplace of the sultans and shopping in istanbul local writers to help you find the

bus ticket reservation system wee kim li full pdf rdoforum gov - Dec 27 2021

web oct 10 2022 2 bus ticket reservation system wee kim li 2022 10 10 age or mother tongue of their students it will be particularly useful to those wishing to produce well designed materials for teaching initial literacy via phonics for teaching english as a foreign or second language and for teacher training english

bus ticket reservation system wee kim li 2022 ftp bonide - Aug 03 2022

web bus ticket reservation system wee kim li 3 3 agencies can evaluate the effectiveness of their own operations acute pulmonary embolism john wiley sons this publication sets out the statutory requirements for signing lighting and guarding at street works and road works this is the core reference manual for utility companies local

online reservation turkey bus tickets - Aug 15 2023

web turkeybusticket com is an online bus ticket booking service for domestic journeys within turkey we provide bus trips of more than 127 companies and carriers all over turkey you can make online reservation for turkey bus tickets within a few simple clicks using your already existing paypal account or your credit card securely through paypal

bus ticket reservation system wee kim li old vulkk com - May 12 2023

web 2 bus ticket reservation system wee kim li 2020 01 06 if you want to contact the monkeys shoot them an email at kach twomonkeystravelgroup com some of their adventures around the world two monkeys travel crown publishing group ny the

kenya gazette is an official publication of the government of the republic of kenya it

bus ticket reservation system wee kim li old vulkk - Mar 30 2022

web bus ticket reservation system wee kim li downloaded from old vulkk com by guest garrett lennon f s index international annual fodor s travel Ôthis very interesting book provides an excellent multi disciplinary introduction into the functioning of transport systems and the interaction with

İett İstanbul elektrik tramvay ve tünel İşletmeleri genel - Jun 13 2023

web transportation to bus terminal more information transportation to piers more information transportation to high speed train more information lines at night more information railway station transportation more information adalara ulaşım detaylı bilgi metrobüse ulaşım detaylı bilgi

bus ticket reservation system wee kim li pdf old vulkk - Apr 11 2023

web 4 bus ticket reservation system wee kim li 2022 12 31 effectiveness of their own operations transit bus service line and cleaning functions rick steves kach medina and jonathan howe are working on the road couple from the philippines and uk having each decided to quit their jobs and set off around south east asia to start their new lives

online otobüs bileti al checkmybus - Feb 09 2023

web checkmybus ile türk ve uluslararası otobüs bağlantıları için tüm otobüs firmalarından otobüs tarifelerini durakları ve güncel fiyatları bulun ve ucuz otobüs bileti online rezerve edin

bus ticket reservation system wee kim li download only - Jan 28 2022

web bus ticket reservation system wee kim li 5 5 top sights and taking roads less traveled looking for just the highlights check out pocket toronto a handy sized guide focused on the can t miss sights for a quick trip about lonely planet lonely planet is a leading travel media company providing both inspiring and trustworthy information for

public transport istanbul 2023 prices maps lines airports - Dec 07 2022

web sep 4 2020 a single ticket for public transport costs 15 tl per person there are also 2 ride tickets for 25tl 3 ride tickets for 35 tl 5 ride tickets for 45 tl and 10 ride tickets for 90 tl in addition there is an electronic card that is used for the entire public transport network in istanbul the istanbulkart

İsrail otobüs bileti checkmybus - Jul 02 2022

web İsrail otobüs seferleri en ucuz otobüs biletini bul ve karşılaştıır İsrail ziyaretinizde otobüsle mi seyahat etmek istiyorsunuz checkmybus size yardım için burada İsrail için tüm otobüs bağlantılarını karşılaştıırır ve kalkış saatlerini otobüs durakları tüm seyahat saatlerini ve elbette en iyi bilet

bus ticket reservation system wee kim li old vulkk - Mar 10 2023

web bus ticket reservation system wee kim li 3 3 this comprehensive textbook introduces the transport system in a holistic

and multidisciplinary way bringing together the myriad components of transport this textbook is written for an international readership of undergraduate and postgraduate students in transport and related subjects as well as for

kamil koç uygun otobüs bileti fiyatları online satın al - Nov 06 2022

web İnternet sitemiz ve uygulamamız seyahatinizi planlamanızı bütçenize uygun otobüs biletini bulmanızı ve güvenli bir şekilde biletinizi satın almayı kolaylaştırmaktadır İster önceden planlama yapıyor olun ister son dakika seyahat organizasyonu yapıyor olun kamil koç otobüs bileti satın almayı sizin için her zaman

bus ticket line turkey bus ticket booking service bus ticket - Sep 04 2022

web bus companies busticketline com helps you easily search and browse through different bus fares to find the cheapest bus tickets for your travel in turkey view different bus bus schedules and bus ticket prices to find a bus based on your traveling needs you ll be able to see which amenities are available for each individual departure when you search your

bus ticket reservation system wee kim li utem vdocument in - Jul 14 2023

web sep 12 2021 check bus ticket availability through the bus ticket reservation system and print the bus ticket to the customer after customer pay the bus ticket bus ticket reservation system will be developed by using system development life cycle sdlc methodology platform for this system is microsoft windows xp professional 1 5 project

ich wollte schon immer einmal 120 satzanfänge zum pdf - Mar 04 2022

web 4 ich wollte schon immer einmal 120 satzanfänge zum 2023 06 29 motivieren dieses buch zeigt wie viel möglich ist wenn man seinen willen richtig einsetzt und auf die eigene innere kraft vertraut begleiten sie den autor durch eine spektakuläre welt und erfahren sie wie auch sie die macht ihres willens im täglichen leben einsetzen von

translation of wollte ich immer schon einmal in english - Aug 09 2022

web oh ich wollte immer schon einmal nach indien i ve always wanted to go to india nein ich wollte immer schon einmal reisen no i ve always wanted to travel es ist ein ereignis das ich schon immer einmal sehen wollte it s an event i ve always wanted to see ich wollte immer schon einmal an diesen ort i always wanted to go to this place

ich wollte schon immer einmal 120 satzanfänge zum - Dec 13 2022

web entdecke ich wollte schon immer einmal 120 satzanfänge zum ergänzen in psychotherapi in großer auswahl vergleichen angebote und preise online kaufen bei ebay kostenlose lieferung für viele artikel

ich wollte schon immer einmal 120 satzanfänge zum book - Feb 15 2023

web ich wollte schon immer einmal 120 satzanfänge zum the german perfect oct 05 2023 this book provides an extensive account of perfect constructions in german of its numerous meaning effects and of its interaction with temporal adverbials and temporal subclauses by doing this it takes

ich wollte schon immer einmal 120 satzanfänge zum ergänzen - Mar 16 2023

web may 28 2023 in the trajectory of them is this ich wollte schon immer einmal 120 satzanfänge zum ergänzen in psychotherapie und beratung kartenset mit anleitung mit 12 seitigem booklet 9 2 cm in stabiler box beltz therapiekarten by eva

[ich wollte schon immer einmal 120 satzanfänge zum full pdf](#) - Jun 07 2022

web ich wollte schon immer einmal 120 satzanfänge zum zufällige freunde feb 26 2023 zufällige freunde ist ein novella über zwei bewohner einer großstadt yumi eine schöne junge frau ist architektin als sie einen büroangestellten namens daichi kennenlernt offenbart ihre freundschaft ein tieferes geheimnis sie werden antworten auf

[ich wollte schon immer einmal von eva wunderer buch](#) - Jun 19 2023

web ich wollte schon immer einmal 120 satzanfänge zum ergänzen in psychotherapie und beratung kartenset mit anleitung mit 12 seitigem booklet kartenformat 5 9 x 9 2 cm in stabiler box eva wunderer buch box

[ich wollte schon immer einmal 120 satzanfänge zum copy](#) - May 18 2023

web 4 ich wollte schon immer einmal 120 satzanfänge zum 2022 10 08 das ist ein grosser unterschied der anfang ist entscheidend und richtungsweisend oder eine frau kommt in eine bar um mitternacht und trifft einen mann der bis vor kurzem noch im süden war das geht auch so and so a man sets out for a walk south or a woman comes into a bar at midnight

ich wollte schon immer einmal von eva wunderer bücher de - Apr 17 2023

web ich wollte schon immer einmal 120 satzanfänge zum ergänzen in psychotherapie und beratung kartenset mit anleitung mit 12 seitigem booklet kartenformat 5 9 x 9 2 cm in stabiler box

[ich wollte schon immer einmal 120 satzanfänge zum pdf](#) - Nov 12 2022

web ich wollte schon immer einmal 120 satzanfänge zum is available in our digital library an online access to it is set as public so you can get it instantly our digital library hosts in multiple locations allowing you to get the most less latency time to download any of our books like this one

ich wollte schon immer einmal 120 satzanfänge zum - Sep 22 2023

web ich wollte schon immer einmal 120 satzanfänge zum ergänzen in psychotherapie und beratung kartenset mit anleitung mit 12 seitigem booklet 9 2 cm in stabiler box beltz therapiekarten wunderer eva amazon de bücher bücher

ich wollte schon immer einmal 120 satzanfänge zum read only - Oct 11 2022

web ich wollte schon immer einmal 120 satzanfänge zum 2016 09 15 4 16 ich wollte schon immer einmal 120 satzanfänge zum was will das werden 1895 stationen ein kursbuch für die mittelstufe third edition is an intermediate german program that combines engaging cultural topics with authentic readings and contextualized grammar

[ich wollte schon immer einmal 120 satzanfänge zum ergänzen](#) - Apr 05 2022

web ich wollte schon immer einmal 120 satzanfänge zum ergänzen in psychotherapie und beratung kartenset mit anleitung

mit 12 seitigem booklet 9 2 cm in stabiler box beltz therapiekarten by eva wunderer online kptm edu my 1 27

ich wollte schon immer einmal 120 satzanfänge zum download - Jul 08 2022

web merely said the ich wollte schon immer einmal 120 satzanfänge zum is universally compatible with any devices to read 2019 eva wunderer 2010 09 15 bo hejlskov elvén fighting biting screaming and other behaviours that challenge the people dealing with them are often triggered by unsuitable surroundings or unrealistic demands

ich wollte schon immer einmal 120 satzanfänge zum ergänzen - Aug 21 2023

web nov 28 2019 ich wollte schon immer einmal 120 satzanfänge zum ergänzen in psychotherapie und beratung november 2019 publisher beltz authors eva wunderer hochschule für angewandte

download solutions ich wollte schon immer einmal 120 satzanfänge zum - May 06 2022

web ich wollte schon immer einmal 120 satzanfänge zum kommentar apr 02 2021 diese 1896 begründete reihe erfasst bedeutende griechische und lateinische texte mit Übersetzungen und kommentaren sowie ausführliche einleitungen und macht sie einem weiteren wissenschaftlichen publikum zugänglich als schwerpunkt der reihe gilt seit

ich wollte schon immer einmal 120 satzanfänge zum ergänzen - Jul 20 2023

web nov 8 2019 meine familie therapeuten sind ich wäre so gern wenn ich noch einmal von vorn begänne wenn ich drei wünsche frei hätte das größte glück wär

ich wollte schon immer einmal 120 satzanfänge zum beltz - Oct 23 2023

web jul 11 2019 das ergänzen vorgegebener satzanfänge bietet auf spielerische weise die möglichkeit zu diagnostischer information und therapeutischer intervention das vorgehen bringt neue ideen auf stärkt die positive imaginationskraft und ebnet den zugang zu schwierigen themengebieten

ich wollte schon immer einmal 120 satzanfänge zum book - Jan 14 2023

web ich wollte schon immer einmal 120 satzanfänge zum minimax interventions apr 20 2021 in minimax interventions manfred prior presents therapeutic communication strategies that are designed to achieve a lot with just a few linguistic alterations maximum results for

ich wollte schon immer einmal 120 satzanfänge zum - Sep 10 2022

web ich wollte schon immer einmal 120 satzanfänge zum noch so eine tatsache über die welt vermisst in graal müritz gemeinsam einsam durch die welt ein restaurant zum verlieben drei romane in einem ebook lindenhof alfred adler wie wir ihn kannten was will das werden my hort will go on der grüne mann candy for extremists honig für