

# Operating your SAMSUNG French Door Refrigerator

## REMOVING THE REFRIGERATOR ACCESSORIES

### 1. Door Bins & Dairy Compartment

To remove - Simply lift the bin up and pull straight out.

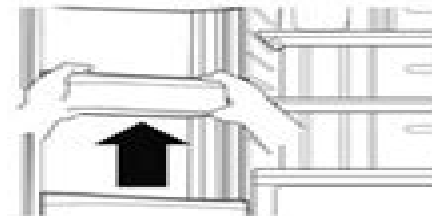
To replace - Slide it in above the desired location and push down until it stops.



Injury may occur if the door bins are not firmly assembled. Do not allow children to play with bins. Sharp corners of the bins may cause injury.



Do not adjust a bin that is loaded with food.



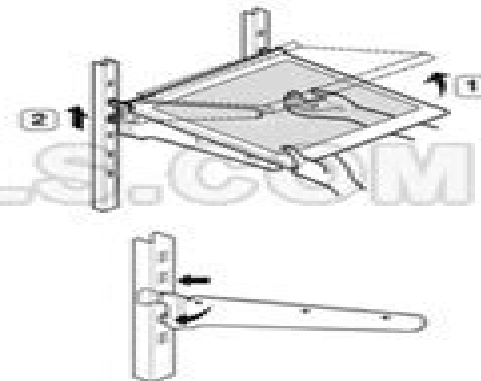
### 2. Tempered Spill Proof Glass Shelves

To remove - Tilt up the front of the shelf in the direction shown ((1)) and lift it up vertically ((2)). Pull the shelf out.

To replace - Tilt the front of the shelf up and guide the shelf hooks into the slots at a desired height. Then lower the front of the shelf so that the hooks drop into the slots.



Glass shelves are heavy. Use special care when removing them.



### 3. Vegetable & Fruit Drawers

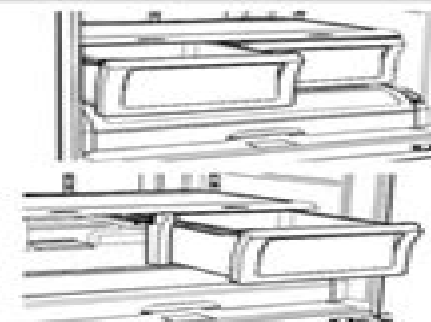
To remove - Pull the drawer out to full extension. Tilt up the front of drawer and pull straight out.

To replace - Insert the drawer into the frame rails and push back into place.



The glass shelf over the drawer is not firmly secured. Be careful when lifting.

Do not open the drawer while the pantry is open. It may cause scratch or breakage to it's cover.



# Samsung Rf266ae Rf263ae Refrigerator Service Manual

**Sabine Zange**



**Samsung Rf266ae Rf263ae Refrigerator Service Manual:**

Recognizing the pretension ways to get this books **Samsung Rf266ae Rf263ae Refrigerator Service Manual** is additionally useful. You have remained in right site to begin getting this info. acquire the Samsung Rf266ae Rf263ae Refrigerator Service Manual associate that we manage to pay for here and check out the link.

You could buy lead Samsung Rf266ae Rf263ae Refrigerator Service Manual or acquire it as soon as feasible. You could quickly download this Samsung Rf266ae Rf263ae Refrigerator Service Manual after getting deal. So, with you require the book swiftly, you can straight acquire it. Its consequently enormously simple and correspondingly fats, isnt it? You have to favor to in this look

<https://crm.avenza.com/About/uploaded-files/HomePages/sharp%20ar%20m205%20200m%20160%20ar%205220%20parts%20guide%20manual.pdf>

## **Table of Contents Samsung Rf266ae Rf263ae Refrigerator Service Manual**

1. Understanding the eBook Samsung Rf266ae Rf263ae Refrigerator Service Manual
  - The Rise of Digital Reading Samsung Rf266ae Rf263ae Refrigerator Service Manual
  - Advantages of eBooks Over Traditional Books
2. Identifying Samsung Rf266ae Rf263ae Refrigerator Service Manual
  - Exploring Different Genres
  - Considering Fiction vs. Non-Fiction
  - Determining Your Reading Goals
3. Choosing the Right eBook Platform
  - Popular eBook Platforms
  - Features to Look for in an Samsung Rf266ae Rf263ae Refrigerator Service Manual
  - User-Friendly Interface
4. Exploring eBook Recommendations from Samsung Rf266ae Rf263ae Refrigerator Service Manual
  - Personalized Recommendations
  - Samsung Rf266ae Rf263ae Refrigerator Service Manual User Reviews and Ratings

- Samsung Rf266ae Rf263ae Refrigerator Service Manual and Bestseller Lists
- 5. Accessing Samsung Rf266ae Rf263ae Refrigerator Service Manual Free and Paid eBooks
  - Samsung Rf266ae Rf263ae Refrigerator Service Manual Public Domain eBooks
  - Samsung Rf266ae Rf263ae Refrigerator Service Manual eBook Subscription Services
  - Samsung Rf266ae Rf263ae Refrigerator Service Manual Budget-Friendly Options
- 6. Navigating Samsung Rf266ae Rf263ae Refrigerator Service Manual eBook Formats
  - ePub, PDF, MOBI, and More
  - Samsung Rf266ae Rf263ae Refrigerator Service Manual Compatibility with Devices
  - Samsung Rf266ae Rf263ae Refrigerator Service Manual Enhanced eBook Features
- 7. Enhancing Your Reading Experience
  - Adjustable Fonts and Text Sizes of Samsung Rf266ae Rf263ae Refrigerator Service Manual
  - Highlighting and Note-Taking Samsung Rf266ae Rf263ae Refrigerator Service Manual
  - Interactive Elements Samsung Rf266ae Rf263ae Refrigerator Service Manual
- 8. Staying Engaged with Samsung Rf266ae Rf263ae Refrigerator Service Manual
  - Joining Online Reading Communities
  - Participating in Virtual Book Clubs
  - Following Authors and Publishers Samsung Rf266ae Rf263ae Refrigerator Service Manual
- 9. Balancing eBooks and Physical Books Samsung Rf266ae Rf263ae Refrigerator Service Manual
  - Benefits of a Digital Library
  - Creating a Diverse Reading Collection Samsung Rf266ae Rf263ae Refrigerator Service Manual
- 10. Overcoming Reading Challenges
  - Dealing with Digital Eye Strain
  - Minimizing Distractions
  - Managing Screen Time
- 11. Cultivating a Reading Routine Samsung Rf266ae Rf263ae Refrigerator Service Manual
  - Setting Reading Goals Samsung Rf266ae Rf263ae Refrigerator Service Manual
  - Carving Out Dedicated Reading Time
- 12. Sourcing Reliable Information of Samsung Rf266ae Rf263ae Refrigerator Service Manual
  - Fact-Checking eBook Content of Samsung Rf266ae Rf263ae Refrigerator Service Manual
  - Distinguishing Credible Sources

13. Promoting Lifelong Learning
  - Utilizing eBooks for Skill Development
  - Exploring Educational eBooks
14. Embracing eBook Trends
  - Integration of Multimedia Elements
  - Interactive and Gamified eBooks

### **Samsung Rf266ae Rf263ae Refrigerator Service Manual Introduction**

In this digital age, the convenience of accessing information at our fingertips has become a necessity. Whether its research papers, eBooks, or user manuals, PDF files have become the preferred format for sharing and reading documents. However, the cost associated with purchasing PDF files can sometimes be a barrier for many individuals and organizations. Thankfully, there are numerous websites and platforms that allow users to download free PDF files legally. In this article, we will explore some of the best platforms to download free PDFs. One of the most popular platforms to download free PDF files is Project Gutenberg. This online library offers over 60,000 free eBooks that are in the public domain. From classic literature to historical documents, Project Gutenberg provides a wide range of PDF files that can be downloaded and enjoyed on various devices. The website is user-friendly and allows users to search for specific titles or browse through different categories. Another reliable platform for downloading Samsung Rf266ae Rf263ae Refrigerator Service Manual free PDF files is Open Library. With its vast collection of over 1 million eBooks, Open Library has something for every reader. The website offers a seamless experience by providing options to borrow or download PDF files. Users simply need to create a free account to access this treasure trove of knowledge. Open Library also allows users to contribute by uploading and sharing their own PDF files, making it a collaborative platform for book enthusiasts. For those interested in academic resources, there are websites dedicated to providing free PDFs of research papers and scientific articles. One such website is Academia.edu, which allows researchers and scholars to share their work with a global audience. Users can download PDF files of research papers, theses, and dissertations covering a wide range of subjects. Academia.edu also provides a platform for discussions and networking within the academic community. When it comes to downloading Samsung Rf266ae Rf263ae Refrigerator Service Manual free PDF files of magazines, brochures, and catalogs, Issuu is a popular choice. This digital publishing platform hosts a vast collection of publications from around the world. Users can search for specific titles or explore various categories and genres. Issuu offers a seamless reading experience with its user-friendly interface and allows users to download PDF files for offline reading. Apart from dedicated platforms, search engines also play a crucial role in finding free PDF files. Google, for instance, has an advanced search feature that allows users to filter results by file type. By specifying

the file type as "PDF," users can find websites that offer free PDF downloads on a specific topic. While downloading Samsung Rf266ae Rf263ae Refrigerator Service Manual free PDF files is convenient, it's important to note that copyright laws must be respected. Always ensure that the PDF files you download are legally available for free. Many authors and publishers voluntarily provide free PDF versions of their work, but it's essential to be cautious and verify the authenticity of the source before downloading Samsung Rf266ae Rf263ae Refrigerator Service Manual. In conclusion, the internet offers numerous platforms and websites that allow users to download free PDF files legally. Whether it's classic literature, research papers, or magazines, there is something for everyone. The platforms mentioned in this article, such as Project Gutenberg, Open Library, Academia.edu, and Issuu, provide access to a vast collection of PDF files. However, users should always be cautious and verify the legality of the source before downloading Samsung Rf266ae Rf263ae Refrigerator Service Manual any PDF files. With these platforms, the world of PDF downloads is just a click away.

### **FAQs About Samsung Rf266ae Rf263ae Refrigerator Service Manual Books**

How do I know which eBook platform is the best for me? Finding the best eBook platform depends on your reading preferences and device compatibility. Research different platforms, read user reviews, and explore their features before making a choice. Are free eBooks of good quality? Yes, many reputable platforms offer high-quality free eBooks, including classics and public domain works. However, make sure to verify the source to ensure the eBook's credibility. Can I read eBooks without an eReader? Absolutely! Most eBook platforms offer web-based readers or mobile apps that allow you to read eBooks on your computer, tablet, or smartphone. How do I avoid digital eye strain while reading eBooks? To prevent digital eye strain, take regular breaks, adjust the font size and background color, and ensure proper lighting while reading eBooks. What's the advantage of interactive eBooks? Interactive eBooks incorporate multimedia elements, quizzes, and activities, enhancing the reader engagement and providing a more immersive learning experience. Samsung Rf266ae Rf263ae Refrigerator Service Manual is one of the best books in our library for free trial. We provide a copy of Samsung Rf266ae Rf263ae Refrigerator Service Manual in digital format, so the resources that you find are reliable. There are also many eBooks related to Samsung Rf266ae Rf263ae Refrigerator Service Manual. Where to download Samsung Rf266ae Rf263ae Refrigerator Service Manual online for free? Are you looking for Samsung Rf266ae Rf263ae Refrigerator Service Manual PDF? This is definitely going to save you time and cash in something you should think about. If you're trying to find them, search around online. Without a doubt, there are numerous of these available, and many of them have the freedom. However, without a doubt, you receive whatever you purchase. An alternate way to get ideas is always to check another Samsung Rf266ae Rf263ae Refrigerator Service Manual. This method for seeing exactly what may be included and adopting these ideas to

your book. This site will almost certainly help you save time and effort, money and stress. If you are looking for free books then you really should consider finding to assist you try this. Several of Samsung Rf266ae Rf263ae Refrigerator Service Manual are for sale to free while some are payable. If you arent sure if the books you would like to download works with for usage along with your computer, it is possible to download free trials. The free guides make it easy for someone to free access online library for download books to your device. You can get free download on free trial for lots of books categories. Our library is the biggest of these that have literally hundreds of thousands of different products categories represented. You will also see that there are specific sites catered to different product types or categories, brands or niches related with Samsung Rf266ae Rf263ae Refrigerator Service Manual. So depending on what exactly you are searching, you will be able to choose e books to suit your own need. Need to access completely for Campbell Biology Seventh Edition book? Access Ebook without any digging. And by having access to our ebook online or by storing it on your computer, you have convenient answers with Samsung Rf266ae Rf263ae Refrigerator Service Manual To get started finding Samsung Rf266ae Rf263ae Refrigerator Service Manual, you are right to find our website which has a comprehensive collection of books online. Our library is the biggest of these that have literally hundreds of thousands of different products represented. You will also see that there are specific sites catered to different categories or niches related with Samsung Rf266ae Rf263ae Refrigerator Service Manual So depending on what exactly you are searching, you will be able to choose ebook to suit your own need. Thank you for reading Samsung Rf266ae Rf263ae Refrigerator Service Manual. Maybe you have knowledge that, people have search numerous times for their favorite readings like this Samsung Rf266ae Rf263ae Refrigerator Service Manual, but end up in harmful downloads. Rather than reading a good book with a cup of coffee in the afternoon, instead they juggled with some harmful bugs inside their laptop. Samsung Rf266ae Rf263ae Refrigerator Service Manual is available in our book collection an online access to it is set as public so you can download it instantly. Our digital library spans in multiple locations, allowing you to get the most less latency time to download any of our books like this one. Merely said, Samsung Rf266ae Rf263ae Refrigerator Service Manual is universally compatible with any devices to read.

### **Find Samsung Rf266ae Rf263ae Refrigerator Service Manual :**

**sharp ar m205 200m 160 ar 5220 parts guide manual**

[sexy picture of hot ladies vol 13](#)

**shara the louse hunter**

**shadow king discovering ren volume 2**

[sharp ar c172m digital full color copier repair manual](#)

[shark navigator model nv352 owners manual](#)



[shakespeare s tragedy of romeo and juliet illustrated](#)

[sexy lycan shorts sisters maxine bbw book nine english edition](#)

**shadow brain a neuroscientist s journey through ptsd and womanhood**

[shane warne my autobiography](#)

[shark puppet made from envelope](#)

[sharp el 6061h pdas and handhelds owners manual](#)

[sharp 27l s500 27l x2000 cl27s50 tv service manual](#)

[sharp dv 750u dvd players owners manual](#)

[sharp ar m160 ar m205 digital copier service repair manual](#)

### **Samsung Rf266ae Rf263ae Refrigerator Service Manual :**

[xenophon internet encyclopedia of philosophy - Sep 24 2022](#)

web xenophon s symposium depicts an avowedly lighthearted group of friends attending a spontaneous dinner party in honor of young autolycus victory in an olympic event

[the interrelation and date of the symposia of plato and xenophon - May 21 2022](#)

web j d moore s recent attempt to date plato s symposium after the phaedrus and by implication much later than 380 b c was successful 6 the possible reminiscences of other platonic works traced in xenophon s symposium by several scholars are for the most part highly disputable 7 some reflections of the phaedrus will be discussed below and

[reading xenophon s symposium ramus cambridge core - Jan 29 2023](#)

web sep 2 2016 reading xenophon s symposium published online by cambridge university press 02 september 2016 fiona

hobden article metrics get access cite rights permissions extract in just over a decade interest in

[xenophon of athens symposium loeb classical library - Feb 27 2023](#)

web xenophon s symposium is set in 422 the boy autolycus has won a great panathenaic victory in the pankration and his wealthy admirer callias throws a celebratory party for him and his father lycon but the main theme as at plato s symposium is the nature and proper management of eros

**xenophon symposium by a j bowen edited and translated by - Feb 15 2022**

web the symposium that xenophon wrote has lived in the shadow of the more famous one by plato so much so that it has not received a full commentary in english for well over a hundred years yet it is a work as useful for its greek as it is precious for its content socrates is the hero of each symposium but most of our understanding of him is

[xenophon symposium chapter 1 perseus digital library - Aug 04 2023](#)

web xenophon xenophontis opera omnia vol 2 2nd ed oxford clarendon press 1921 repr 1971 the annenberg cpb project provided support for entering this text purchase a copy of this text not necessarily the same edition from amazon com this work is licensed under a creative commons attribution sharealike 3 0 united states license

*xenophon wikipedia* - Jul 23 2022

web these works include xenophon s apology memorabilia symposium and oeconomicus the symposium outlines the character of socrates as he and his companions discuss what attribute they take pride in one of the main plots of the symposium is about the type of loving relationship noble or base a rich aristocrat will be able to

*xenophon s symposium the classical review cambridge* - Jun 21 2022

web apr 12 2006 xenophon s symposium volume 53 issue 1 to save this article to your kindle first ensure coreplatform cambridge org is added to your approved personal document e mail list under your personal document settings on the manage your content and devices page of your amazon account

**how to be a good symposiast and other lessons from xenophon s symposium** - Nov 26 2022

web xenophon s symposium lies at a confluence between two trends in modern scholarship on the one hand its author and his writings have recently attracted a resurgence in interest and credibility no longer is xenophon regarded as merely a literary dilettante a dull unimaginative and ultimately incompetent philosopher or a conservative

*xenophon symposium antisthenes on wealth need and youtube* - Mar 19 2022

web mar 7 2021 get xenophon s conversations of socrates amzn to 3cc1uchsupport my work here patreon com  
sadlerphilosophy tutorials reasoni

*7 xenophon s symposium cambridge university press* - May 01 2023

web jan 12 2017 5 xenophon s anabasis and hellenica 6 xenophon s apology and memorabilia 7 xenophon s symposium 8 xenophon s oeconomicus 9 xenophon s cyropaedia tentative answers to an enigma 10 xenophon the small works part iii techniques part iv major subjects part v reception and influence important dates in

*xenophon of athens symposium loeb classical library* - Dec 28 2022

web symposium niceratus was the son of the wealthy landowner and general nicias who would perish in the sicilian expedition nine years later represented here as newly married to an athenian girl who we are told elsewhere would not survive her husband when he was executed by the thirty tyrants like his father niceratus was a democrat

**symposium work by xenophon britannica** - Jun 02 2023

web xenophon s symposium is a depiction of socrates in conversation with his friends at a drinking party it is perhaps inspired by a work of plato of the same name and character and is regarded by some scholars as a valuable re creation of socrates thought and way

**xenophon symposium chapter 1 section 1 perseus digital** - Oct 06 2023

web symposium section 1 section 9 section 16 chapter 2 chapter 3 chapter 4 chapter 5 chapter 6 chapter 7 chapter 8 chapter 9 to my mind it is worth while to relate not only the serious acts of great and good men but also what they do in their lighter moods i should like to narrate an experience of mine that gives me this conviction xenophon

**xenophon s symposium xenophon google books** - Apr 19 2022

web xenophon s symposium xenophon 2005 115 pages bryn mawr commentaries provide clear concise accurate and consistent support for students making the transition from introductory and intermediate texts to the direct experience of

[xenophon symposium philpapers](#) - Aug 24 2022

web abstract the symposium that xenophon wrote has lived in the shadow of the more famous one by plato so much so that it has not received a full commentary in english for well over a hundred years

**the symposium by xenophon project gutenber** - Jul 03 2023

web the symposium by xenophon translation by h g dakyns xenophon the athenian was born 431 b c he was a pupil of socrates he marched with the spartans and was exiled from athens sparta gave him land and property in scillus where he lived for many years before having to move once more to settle in corinth he died in 354 b c

**the symposium introduction sparknotes** - Mar 31 2023

web introduction of all the works of plato the symposium is the most perfect in form and may be truly thought to contain more than any commentator has ever dreamed of or as goethe said of one of his own writings more than the author himself knew

*xenophon s symposium xenophon free download borrow* - Oct 26 2022

web may 7 2008 xenophon s symposium by xenophon winans samuel ross 1855 1910 ed publication date 1881 publisher boston j allyn collection americana book from the collections of university of michigan language ancient greek ancient greek *symposium xenophon wikipedia* - Sep 05 2023

web xenophon symposium ed a j bowen warminster aris phillips ltd 1998 xenophon the shorter socratic writings apology of socrates to the jury oeconomicus and symposium trans and with interpretive essays by robert c bartlett with thomas pangle and wayne ambler ithaca cornell university press the agora editions 1996

*obsidio the illuminae files book 3 kindle edition amazon com* - Aug 16 2023

web by amie kaufman 4 44 74 931 ratings 13 499 reviews published 2016 40 editions moving to a space station at the edge of the galax want to read rate it book 3

**obsidio the illuminae files book 3 kindle edition amazon co uk** - Dec 08 2022

web obsidio the illuminae files 03 is the third and final book in the illuminae files trilogy asha grant came to kerenza to

escape her past too bad he just caught up with

[obsidio the illuminae files book 3 by amie kaufman booktopia](#) - Apr 12 2023

web this book is xxxing awesome laini taylorasha grant came to kerenza to escape her past too bad he just caught up with her asha survived beitech s initial assault and has

[obsidio the illuminae files 3 armed with a book](#) - Aug 04 2022

web nov 14 2018 troisième et dernier tome des dossiers illuminae obsidio nous entraîne une nouvelle fois dans une course contre la montre dans l espace les ados sont

[read obsidio the illuminae files 3 complete novel for free](#) - Jun 02 2022

web obsidio is the last and currently the final installment of the illuminae series like the two books prior it is set above a spacecraft this time the mao the characters we have

[obsidio the illuminae files book 3 google books](#) - Mar 11 2023

web obsidio is the last and currently the final installment of the illuminae series like the two books prior it is set above a spacecraft this time the mao the characters we have

[obsidio the illuminae files 03 kindle edition](#) - May 13 2023

web mar 14 2018 booktopia has obsidio the illuminae files book 3 by amie kaufman buy a discounted paperback of obsidio online from australia s leading online bookstore

[obsidio the illuminae files book 3 kindle edition amazon in](#) - Jan 09 2023

web obsidio the illuminae files book 3 ebook kaufman amie kristoff jay amazon co uk kindle store

**obsidio the illuminae files book 3 the illuminae files 3** - Jun 14 2023

web obsidio is the last and currently the final installment of the illuminae series like the two books prior it is set above a spacecraft this time the mao the characters we have

**obsidio the illuminae files wikia fandom** - Nov 07 2022

web amazon com obsidio the illuminae files book 3 audible audio edition amie kaufman jay kristoff olivia taylor dudley olivia mackenzie smith ryan gesell carla

**illuminae tome 3 dossier obsidio jay kristoff babelio** - Jul 03 2022

web find obsidio the illuminae files 3 on moboreader related books to read search home genre ranking free create get the app hot most searched novels unconscious

[obsidio the illuminae files book 3 amazon in](#) - Feb 27 2022

[obsidio the illuminae files book 3 kindle edition amazon co uk](#) - Feb 10 2023

web obsidio the illuminae files book 3 ebook kaufman amie kristoff jay amazon in kindle store

*obsidio the illuminae files paperback may 7 2019 - Mar 31 2022*

web 378 00 m r p 650 00 save 272 00 42 inclusive of all taxes fulfilled free delivery wednesday 6 september on orders dispatched by amazon over 499 details or fastest

obsidio the illuminae files 3 by amie kaufman - Oct 18 2023

web obsidio the illuminae files part 3 the illuminae files book 3 kaufman amie kristoff jay amazon sg books

**obsidio the illuminae files book 3 amazon com** - May 01 2022

web may 7 2019 illuminae files series collection 3 books set by jay kristoff amie kaufman illuminae gemina obsidio

*obsidio the illuminae files part 3 the illuminae files book 3 - Sep 17 2023*

web mar 13 2018 book 3 of 3 the illuminae files this book is xxxing awesome laini taylorasha grant came to kerenza to escape her past too bad he just caught up with

**obsidio the illuminae files book 3 amazon fr** - Sep 05 2022

web jul 18 2020 obsidio is the last book in the illuminae series it introduced a whole new setting kerenza iv and the people there as a last book it had a huge task in front of

**the illuminae files series by amie kaufman goodreads** - Jul 15 2023

web buy obsidio the illuminae files book 3 the illuminae files 3 1 by kaufman amie kristoff jay isbn 9781780749839 from amazon s book store everyday low prices

obsidio the illuminae files book 3 amazon com - Oct 06 2022

web obsidio the illuminae files book 3 kaufman amie kristoff jay amazon fr livres

**solution manual for elementary numerical analysis third edition** - Feb 11 2022

web elementary numerical analysis 3rd ed the essentials of numerical analysis with pocket calculator demonstrations numerical methods for engineers numerical analysis solution manual for elementary numerical analysis third edition atkinson han pdf book downloaded from origin staging corporate abercrombie com by guest harrell

elementary numerical analysis 3rd edition wiley - Dec 21 2022

web the text introduces core areas of numerical analysis and scientific computing along with basic themes of numerical analysis such as the approximation of problems by simpler methods the construction of algorithms iteration methods error analysis stability asymptotic error formulas and the effects of machine arithmetic

*elementary numerical analysis solutions manual google books* - Feb 23 2023

web jan 4 1993 elementary numerical analysis solutions manual elementary numerical analysis kendall e atkinson john wiley sons incorporated jan 4 1993 248

**wiley elementary numerical analysis 3rd edition 978 0 471** - Nov 20 2022

web elementary numerical analysis 3rd edition kendall atkinson weimin han hardcover 978 0 471 43337 8 october 2003 241 95 description offering a clear precise and accessible presentation complete with matlab programs this new third edition of elementary numerical analysis gives students the support they need to master basic

*elementary numerical analysis 3e kendall atkinson pdf* - Oct 19 2022

web kendall atkinson weimin han s elementary numerical analysis 3rd edition cover basic themes of numerical analysis such as the approximation of problems by simpler methods the construction of algorithms iteration methods error analysis stability asymptotic error formulas and the effects of machine arithmetic

*elementary numerical analysis 3rd ed atkinson google books* - Jun 15 2022

web atkinson wiley india pvt limited 2009 576 pages offering a clear precise and accessible presentation complete with matlab programs this new third edition of elementary numerical

elementary numerical analysis solution manual chegg com - Apr 25 2023

web get instant access to our step by step elementary numerical analysis solutions manual our solution manuals are written by chegg experts so you can be assured of the highest quality

elementary numerical analysis 3rd edition solutions and - Jul 16 2022

web math elementary numerical analysis 3rd edition isbn 9780471433378 kendall e atkinson weimin han sorry we don t have content for this book yet find step by step expert solutions for your textbook or homework problem

**elementary numerical analysis student solutions manual** - Jul 28 2023

web elementary numerical analysis student solutions manual authors kendall e atkinson weimin han print book english 2004 edition 3rd ed view all formats and editions publisher j wiley sons hoboken nj 2004 show more information

**elementary numerical analysis 3rd edition free download pdf** - Aug 17 2022

web mar 18 2017 elementary numerical analysis third edition kendall e elementary numerical analysis i kendall atkinson and weimin han 3rd ed p cm includes bibliographical references and index isbn 0 471 43337 3 1 numerical analysis i han weimin ii chapter 6 solution of systems of linear equations

*atkinson han elementary numerical analysis 3rd edition* - Mar 24 2023

web welcome to the web site for elementary numerical analysis third edition by kendall e atkinson and weimin han this web site gives you access to the rich tools and resources available for this text you can access these resources in two ways using the menu at the top select a chapter

**elementary numerical analysis 3 ed 0471433373 9780471433378** - May 14 2022

web elementary numerical analysis 3 ed 0471433373 9780471433378 offering a clear precise and accessible presentation

complete with matlab programs this new third edition of element 1 425 216 197mb english pages 576 year 2003 report dmca copyright download file

**solution manual elementary numerical analysis atkinson han** - Mar 12 2022

web jul 9 2023 solution manual for elementary numerical analysis third edition atkinson han book solutions of dc pandey mechanics and many other ebooks we have made it easy for you to find a pdf ebooks without any digging

**solutions for elementary numerical analysis 3rd by kendall atkinson** - Aug 29 2023

web solutions for elementary numerical analysis 3rd kendall atkinson weimin han get access to all of the answers and step by step video explanations to this book and 5 000 more

elementary numerical analysis 3rd edition textbook solutions chegg - Jun 27 2023

web applied mathematics solutions manuals elementary numerical analysis 3rd edition we have solutions for your book this problem has been solved problem 1p chapter cha problem 1p step by step solution step 1 of 8 intermediate value theorem consider the interval let be continuous in the interval let

*elementary numerical analysis solutions manual kendall e atkinson* - May 26 2023

web jan 28 2023 elementary numerical analysis solutions manual by kendall e atkinson publication date 1993 publisher wiley sons incorporated john collection inlibrary printdisabled internetarchivebooks

*teaching numerical analysis university of iowa* - Sep 18 2022

web the following notes are to accompany the third edition of the book elementary numerical analysis by kendall atkinson and weimin han published by john wiley sons inc modeling population model slides matlab notes chapter 1 taylor polynomial approximations matlab programs for chapter 1 section 1 1

**solution manual for elementary numerical analysis third edition** - Jan 10 2022

web we have the funds for solution manual for elementary numerical analysis third edition atkinson han pdf and numerous books collections from fictions to scientific research in any way along with them is this solution manual for elementary numerical analysis third edition atkinson han pdf that can be your partner

*atkinson han elementary numerical analysis 3rd edition* - Jan 22 2023

web atkinson han elementary numerical analysis 3rd edition home browse by chapter browse by chapter browse by resource chapter 8 numerical solution of ordinary differential equations matlab programs adobe pdf and acrobat reader

*elementary numerical analysis atkinson solution manual tips* - Apr 13 2022

web elementary numerical analysis atkinson han solution hsm1 download elementary numerical analysis 3rd edition elementary numerical analysis 3rd edition textbook