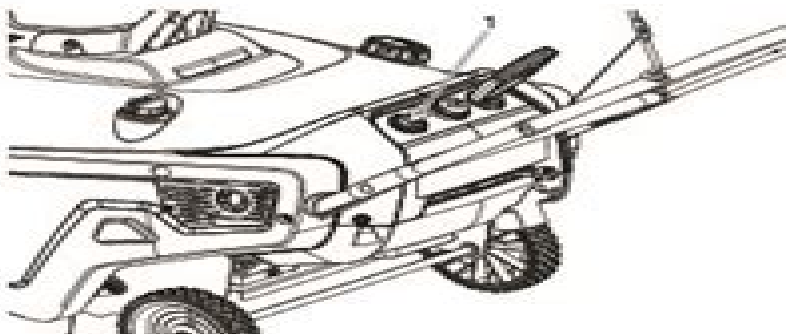


## Starting the Engine

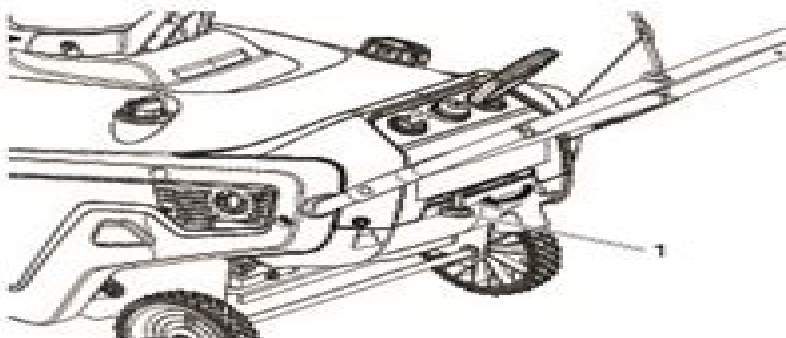
1. Push key in (Figure 10).



1. Key

Figure 10

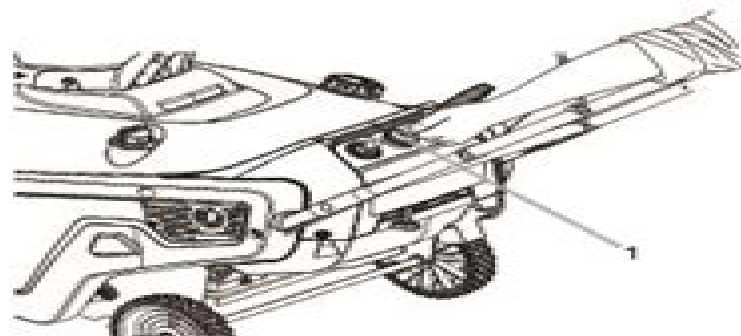
2. Move choke lever to left position (Figure 11).



1. Choke lever

Figure 11

3. Firmly push in the primer 3 times with your thumb, holding the primer in a for a second before releasing it each time (Figure 12).



1. Primer

Figure 12

**NOTE:** Remove your glove when you push in the primer so that air cannot escape from the primer hole.

**IMPORTANT:** Do not use the primer or the choke if the engine has been running and is hot. Excessive priming may flood the engine and prevent it from starting.

4. Connect an extension cord to the snowthrower and plug the other end into a three-hole grounded 120 volt A.C. receptacle and push the electric-start button (Figure 13), or pull the recoil start handle (Figure 14).



Figure 13

1. Electric start button

**NOTE:** Use only a UL-listed, 16-gauge extension cord recommended for outdoor use that is not longer than 50 feet (15 m).

# Poulan Blowers User Guide

**Xiaolong Qi**



## **Poulan Blowers User Guide:**

When people should go to the books stores, search introduction by shop, shelf by shelf, it is in point of fact problematic. This is why we allow the book compilations in this website. It will very ease you to look guide **Poulan Blowers User Guide** as you such as.

By searching the title, publisher, or authors of guide you really want, you can discover them rapidly. In the house, workplace, or perhaps in your method can be all best place within net connections. If you aspiration to download and install the Poulan Blowers User Guide, it is unquestionably simple then, before currently we extend the associate to purchase and make bargains to download and install Poulan Blowers User Guide as a result simple!

[https://crm.avenza.com/data/scholarship/default.aspx/Samsung\\_Galaxy\\_Squick\\_Start\\_Guide.pdf](https://crm.avenza.com/data/scholarship/default.aspx/Samsung_Galaxy_Squick_Start_Guide.pdf)

## **Table of Contents Poulan Blowers User Guide**

1. Understanding the eBook Poulan Blowers User Guide
  - The Rise of Digital Reading Poulan Blowers User Guide
  - Advantages of eBooks Over Traditional Books
2. Identifying Poulan Blowers User Guide
  - Exploring Different Genres
  - Considering Fiction vs. Non-Fiction
  - Determining Your Reading Goals
3. Choosing the Right eBook Platform
  - Popular eBook Platforms
  - Features to Look for in an Poulan Blowers User Guide
  - User-Friendly Interface
4. Exploring eBook Recommendations from Poulan Blowers User Guide
  - Personalized Recommendations
  - Poulan Blowers User Guide User Reviews and Ratings
  - Poulan Blowers User Guide and Bestseller Lists

5. Accessing Poulan Blowers User Guide Free and Paid eBooks
  - Poulan Blowers User Guide Public Domain eBooks
  - Poulan Blowers User Guide eBook Subscription Services
  - Poulan Blowers User Guide Budget-Friendly Options
6. Navigating Poulan Blowers User Guide eBook Formats
  - ePub, PDF, MOBI, and More
  - Poulan Blowers User Guide Compatibility with Devices
  - Poulan Blowers User Guide Enhanced eBook Features
7. Enhancing Your Reading Experience
  - Adjustable Fonts and Text Sizes of Poulan Blowers User Guide
  - Highlighting and Note-Taking Poulan Blowers User Guide
  - Interactive Elements Poulan Blowers User Guide
8. Staying Engaged with Poulan Blowers User Guide
  - Joining Online Reading Communities
  - Participating in Virtual Book Clubs
  - Following Authors and Publishers Poulan Blowers User Guide
9. Balancing eBooks and Physical Books Poulan Blowers User Guide
  - Benefits of a Digital Library
  - Creating a Diverse Reading Collection Poulan Blowers User Guide
10. Overcoming Reading Challenges
  - Dealing with Digital Eye Strain
  - Minimizing Distractions
  - Managing Screen Time
11. Cultivating a Reading Routine Poulan Blowers User Guide
  - Setting Reading Goals Poulan Blowers User Guide
  - Carving Out Dedicated Reading Time
12. Sourcing Reliable Information of Poulan Blowers User Guide
  - Fact-Checking eBook Content of Poulan Blowers User Guide
  - Distinguishing Credible Sources
13. Promoting Lifelong Learning

- Utilizing eBooks for Skill Development
  - Exploring Educational eBooks
14. Embracing eBook Trends
- Integration of Multimedia Elements
  - Interactive and Gamified eBooks

### **Poulan Blowers User Guide Introduction**

In the digital age, access to information has become easier than ever before. The ability to download Poulan Blowers User Guide has revolutionized the way we consume written content. Whether you are a student looking for course material, an avid reader searching for your next favorite book, or a professional seeking research papers, the option to download Poulan Blowers User Guide has opened up a world of possibilities. Downloading Poulan Blowers User Guide provides numerous advantages over physical copies of books and documents. Firstly, it is incredibly convenient. Gone are the days of carrying around heavy textbooks or bulky folders filled with papers. With the click of a button, you can gain immediate access to valuable resources on any device. This convenience allows for efficient studying, researching, and reading on the go. Moreover, the cost-effective nature of downloading Poulan Blowers User Guide has democratized knowledge. Traditional books and academic journals can be expensive, making it difficult for individuals with limited financial resources to access information. By offering free PDF downloads, publishers and authors are enabling a wider audience to benefit from their work. This inclusivity promotes equal opportunities for learning and personal growth. There are numerous websites and platforms where individuals can download Poulan Blowers User Guide. These websites range from academic databases offering research papers and journals to online libraries with an expansive collection of books from various genres. Many authors and publishers also upload their work to specific websites, granting readers access to their content without any charge. These platforms not only provide access to existing literature but also serve as an excellent platform for undiscovered authors to share their work with the world. However, it is essential to be cautious while downloading Poulan Blowers User Guide. Some websites may offer pirated or illegally obtained copies of copyrighted material. Engaging in such activities not only violates copyright laws but also undermines the efforts of authors, publishers, and researchers. To ensure ethical downloading, it is advisable to utilize reputable websites that prioritize the legal distribution of content. When downloading Poulan Blowers User Guide, users should also consider the potential security risks associated with online platforms. Malicious actors may exploit vulnerabilities in unprotected websites to distribute malware or steal personal information. To protect themselves, individuals should ensure their devices have reliable antivirus software installed and validate the legitimacy of the websites they are downloading from. In conclusion, the ability to download Poulan Blowers

User Guide has transformed the way we access information. With the convenience, cost-effectiveness, and accessibility it offers, free PDF downloads have become a popular choice for students, researchers, and book lovers worldwide. However, it is crucial to engage in ethical downloading practices and prioritize personal security when utilizing online platforms. By doing so, individuals can make the most of the vast array of free PDF resources available and embark on a journey of continuous learning and intellectual growth.

### FAQs About Poulan Blowers User Guide Books

1. Where can I buy Poulan Blowers User Guide books? Bookstores: Physical bookstores like Barnes & Noble, Waterstones, and independent local stores. Online Retailers: Amazon, Book Depository, and various online bookstores offer a wide range of books in physical and digital formats.
2. What are the different book formats available? Hardcover: Sturdy and durable, usually more expensive. Paperback: Cheaper, lighter, and more portable than hardcovers. E-books: Digital books available for e-readers like Kindle or software like Apple Books, Kindle, and Google Play Books.
3. How do I choose a Poulan Blowers User Guide book to read? Genres: Consider the genre you enjoy (fiction, non-fiction, mystery, sci-fi, etc.). Recommendations: Ask friends, join book clubs, or explore online reviews and recommendations. Author: If you like a particular author, you might enjoy more of their work.
4. How do I take care of Poulan Blowers User Guide books? Storage: Keep them away from direct sunlight and in a dry environment. Handling: Avoid folding pages, use bookmarks, and handle them with clean hands. Cleaning: Gently dust the covers and pages occasionally.
5. Can I borrow books without buying them? Public Libraries: Local libraries offer a wide range of books for borrowing. Book Swaps: Community book exchanges or online platforms where people exchange books.
6. How can I track my reading progress or manage my book collection? Book Tracking Apps: Goodreads, LibraryThing, and Book Catalogue are popular apps for tracking your reading progress and managing book collections. Spreadsheets: You can create your own spreadsheet to track books read, ratings, and other details.
7. What are Poulan Blowers User Guide audiobooks, and where can I find them? Audiobooks: Audio recordings of books, perfect for listening while commuting or multitasking. Platforms: Audible, LibriVox, and Google Play Books offer a wide selection of audiobooks.
8. How do I support authors or the book industry? Buy Books: Purchase books from authors or independent bookstores.

Reviews: Leave reviews on platforms like Goodreads or Amazon. Promotion: Share your favorite books on social media or recommend them to friends.

9. Are there book clubs or reading communities I can join? Local Clubs: Check for local book clubs in libraries or community centers. Online Communities: Platforms like Goodreads have virtual book clubs and discussion groups.
10. Can I read Poulan Blowers User Guide books for free? Public Domain Books: Many classic books are available for free as they're in the public domain. Free E-books: Some websites offer free e-books legally, like Project Gutenberg or Open Library.

### **Find Poulan Blowers User Guide :**

[samsung galaxy squick start guide](#)

[samsung galaxy s4 unlock code tmobile](#)

[samsung 46 inch lcd tv manual](#)

[samples of performance goals for nurses](#)

[samsung clx 3185 multifunction printers accessory owners manual](#)

[samsung a11user guide](#)

[samsung galaxy tab 1manual user guide gt p7510](#)

[samsung galaxy ace plus gt s7500 manual](#)

**samsung galaxy note 2 quick start guide**

**samsung d60 digital cameras owners manual**

[samsung galaxy blaze owners manual](#)

[samsung dlp hln5065w manual](#)

**samsung dv100 user manual**

[samsung digital camera digimax 420 manual](#)

**samsung galaxy s ii skyrocket manual**

### **Poulan Blowers User Guide :**

*engineering science n4 qp nov 2013 doc course hero - Feb 14 2023*

*view engineering science n4 qp nov 2013 doc from english misc at rhodes university t640 e j29 t august examination national certificate engineering science n4 15070434 29 july 2013*



*n4 engineering science vhembe tvet college - Jul 07 2022*

apr 4 2012 eng science n4 nov 2013 eng science n4 x paper apr 2011 eng science n4 x paper nov 2011 engineering science n4 1 engineering science n4 n4 engineering science april 2016 memorandum n4 engineering science april 2016 n4 engineering science november 2016 t580 engineering science n4 aug qp 2014

*n4 engineering science past papers memorandums - Sep 21 2023*

jun 1 2023 n4 engineering science august 2022 question paper pdf 342 9 kb n4 engineering science august 2022 memorandum pdf 368 3 kb n4 engineering science november 2022 question paper pdf 263 7 kb n4 engineering science november 2022 memorandum pdf 317 0 kb 2021 n4 engineering science april 2021 memorandum pdf

**engineering science n4 tsc edu za** - Mar 15 2023

engineering science n4 t650 e n22 t national certificate engineering science n4 15070434 22 november 2017 x paper 09 00 12 00 this question paper consists of 8 pages 1 formula sheet and 1 information sheet turn over department of higher education and training republic of south africa

engineering science n4 question papers and memos pdf full - Nov 11 2022

natedengineering science n4 question paper and marking guidelines downloading section order asc desc order by title publish date engineering science n4 nov qp 2016 1 file s 1 24 mb download engineering science n4 nov memo 2016 1 file s 248 63 kb download engineering science n4 prepexamengineering science

**engineering science n4 kinematics past papers and memo november** - Sep 09 2022

may 23 2022 engineering science n4 kinematics past papers and memo november 2019 maths zone african motives engineering science n4 engineering science n4 kinematics e

engineering science tvet exam papers - Jul 19 2023

download engineering science previous question papers our apps tvet exam download engineering science past exam papers and memos from 2005 to 2020 engineering science n4 2020 april qp memo august qp memo november

**free engineering papers n4 engineering n1 n6 past papers** - Apr 16 2023

get more papers the following exam papers are available for sale with their memos in a single downloadable pdf file available papers with answers aug 2019 april aug 2018 april nov 2016 april aug nov 2015 aug nov 2014 buy full papers here

**engineering science n4 april 2013 question paper pdf** - Mar 03 2022

apr 4 2013 higher education training department higher education and training republic of south africa t620 e m27 t april examination national certificate engineering science n4 15070434 27 march 2013 x paper 09 00 12 00 calculators may be used

*engineering science past exam papers and memos mytvvet* - Aug 20 2023

2017 engineering science n1 2016 engineering science n1 2015 engineering science n1 these papers are only available for viewing online click on after successful payment wait to be redirected to the download page for bulk purchasing at a discount send us a list of the papers you'd like and we'll send you a single download link more info

**engineering science n4 november 2011 question paper pdf** - Dec 12 2022

nov 4 2011 higher education training department higher education and training republic of south africa t750 e n21 t november 2011 national certificate i engineering science n4 15070434 21 november x paper 09 00 12 00 this question paper consists of 6 pages and a 1 page formula sheet

**engineering science n4 past exam papers youtube** - Oct 10 2022

sep 19 2023 share your videos with friends family and the world

**engineering science n4 question papers and memos pdf** - Jun 06 2022

01 engineering students engineering science n4 questions are primarily designed for students pursuing engineering courses students need these questions to test their understanding and knowledge of the subject 02

**engineering science n4 question paper and memo download** - Jan 13 2023

2 engineering science n4 question paper and memo 2020 04 30 order by title publish date engineering science n4 nov qp 2016 1 file s 1 24 mb download engineering science n4 nov memo 2016 1 file s 248 63 kb download engineering science n4 prepexamon this page you can read or download download engineering science n4

[engineering science n4 april 2021 exam national](#) - Feb 02 2022

apr 4 2021 engineering science n 15070434 9 april 2021 x paper 09 00 12 this question paper consists of 8 pages 1 formula sheet and 1 information sheet 100q1a 15070434 2 department of higher education and training republic of south africa national certificate engineering science n time 3 hours marks 100

**november engineering science n4 question papers download** - Apr 04 2022

harmful virus inside their computer november engineering science n4 question papers is clear in our digital library an online permission to it is set as public as a result you can download it instantly our digital library saves in merged countries allowing you to acquire the most less latency era to download any of our books afterward this one

**november engineering science n4 question papers copy** - May 05 2022

november engineering science n4 question papers 1 november engineering science n4 question papers the remote sensing of earth resources the environment index the annual literary index financial engineering and computation the electrician railroad research bulletin

*engineering science n3 n4 nated* - May 17 2023

aug 3 2011 search alphabetically for subject more to be uploaded during the next few weeks engineering science n3 aug

2011 q engineering science n3 april 2012 q engineering science n3 april 2012 m engineering science n3 aug 2012 m engineering science n3 aug 2012 q engineering science n3 nov 2011 m engineering science n3 nov 2011 q

**past exam papers n1 n6 ekurhuleni technical college** - Aug 08 2022

download all your n1 to n6 engineering studies previous papers with memos for free below please note that due to the size of the attachments and the cost associated with maintainance of the site there is a dedicated site where the papers are downloaded

**engineering science n4 past papers study guides and notes** - Jun 18 2023

may 30 2022 n4 study resources collection may 30 2022 my courses editor find engineering science n4 previous exam question papers with memorandums for answers 2023 2022 2021 2020 2019 and more prescribed textbooks and study guides most of the resources are in pdf format for easy download

writing down the bones freeing the writer within natalie goldberg - Oct 09 2023

web writing down the bones freeing the writer within with insight humor and practicality natalie goldberg inspires writers and would be writers to take the leap into writing skillfully and creatively

**writing down the bones natalie goldberg** - Mar 02 2023

web feb 2 2016 writing down the bones freeing the writer within by natalie goldberg 14 95 paperback shambhala publications 02 02 2016 pages 224 size 5 5 x 8 5 isbn 9781611803082 description for more than thirty years natalie goldberg has been challenging and cheering on writers with her books and workshops

*writing down the bones freeing the writer within by natalie goldberg* - Feb 18 2022

web feb 2 2016 i m convinced that none of the writers of my acquaintance can go another day without a copy of natalie goldberg s magical manual writing down the bones linda weltner the boston globe the secret of creativity natalie goldberg makes clear is to subtract rules for writing not add them it s a process of uneducation rather than

**natalie goldberg the official natalie goldberg site books** - Jun 24 2022

web libro fm amazon audible each book natalie goldberg writes builds on the one before writing down the bones her first gave amateurs ample leeway to doodle explore and dream on the page in that book s chapter a sensation of space goldberg cites haiku from shiki issa buson and basho

*writing down the bones freeing the writer within by natalie goldberg* - Aug 27 2022

web feb 2 2016 natalie goldberg is the author of fourteen books including writing down the bones which has changed the way writing is taught in this country she teaches retreats nationally and internationally she lives in new mexico read an excerpt

**writing down the bones freeing the writer within ebook goldberg** - Apr 22 2022

web writing down the bones freeing the writer within kindle edition for more than thirty years natalie goldberg has been challenging and cheering on writers with her books and workshops in her groundbreaking first book she brings

*writing down the bones freeing the writer within goldberg natalie* - Sep 08 2023

web writing down the bones freeing the writer within goldberg natalie free download borrow and streaming internet archive

*writing down the bones freeing the writer within goldberg natalie* - May 24 2022

web writing down the bones freeing the writer within paperback 2 may 2016 the all time best selling writer s handbook turns thirty the all time best selling writer s handbook turns thirty with insight humor and practicality natalie goldberg inspires writers and would be writers to take the leap into writing skillfully and creatively

**writing down the bones freeing the writer within goodreads** - Aug 07 2023

web oct 12 1986 29 376 ratings 2 323 reviews for more than twenty years natalie goldberg has been challenging and cheering on writers with her books and workshops in her groundbreaking first book she brings together zen meditation and writing in a new way

**writing down the bones by natalie goldberg 9781611803082** - May 04 2023

web writing down the bones by natalie goldberg 9781611803082 penguinrandomhouse com books the all time best selling writer s handbook turns thirty with insight humor and practicality natalie goldberg inspires

**writing down the bones freeing the writer within google books** - Apr 03 2023

web writing down the bones freeing the writer within natalie goldberg shambhala publications 2005 authors american 200 pages for more than twenty years natalie goldberg has been

**writing down the bones freeing the writer within google books** - Feb 01 2023

web feb 2 2016 natalie goldberg shambhala publications feb 2 2016 self help 224 pages the all time best selling writer s handbook turns thirty with insight humor and practicality natalie goldberg inspires writers and would be writers to take the leap into writing skillfully and creatively

**writing down the bones freeing the writer within google books** - Oct 29 2022

web the secret of creativity natalie goldberg makes clear is to subtract rules for writing not add them it s a process of uneducation rather than education most people are baffled at how to teach this since teaching and uneducation appear contradictory

writing down the bones freeing the writer within paperback - Nov 29 2022

web buy writing down the bones freeing the writer within by goldberg natalie isbn 9781590302613 from amazon s book store everyday low prices and free delivery on eligible orders

writing resources natalie goldberg s writing down the bones - Mar 22 2022

web jun 27 2023 ah words of wisdom i was assigned writing down the bones by natalie goldberg for a creative writing course in college we were supposed to read a chapter or two a week but i had a hard time putting it down and ended up inhaling the entire volume in a couple of days

**writing down the bones freeing the writer within google books** - Dec 31 2022

web feb 2 2016 natalie goldberg shambhala publications feb 2 2016 self help 224 pages for more than thirty years natalie goldberg has been challenging and cheering on writers with her books and workshops in her groundbreaking first book she brings together zen meditation and writing in a new way

writing down the bones freeing the writer within amazon com - Jul 06 2023

web feb 2 2016 writing down the bones freeing the writer within by natalie goldberg is one of my all time favorite books about the writing life even though the original was published back in 1986 it remains relevant and relatable i recently listened to the audio version of the 30th anniversary edition

*writing down the bones freeing the writer within paperback* - Jul 26 2022

web writing down the bones freeing the writer within by natalie goldberg is one of my all time favorite books about the writing life even though the original was published back in 1986 it remains relevant and relatable i recently listened to the audio version of the 30th anniversary edition

writing down the bones natalie goldberg google books - Sep 27 2022

web writing down the bones natalie goldberg google books with insight humor and practicality natalie goldberg inspires writers and would be writers to take the leap into writing

**writing down the bones freeing the writer within natalie goldberg** - Jun 05 2023

web oct 12 1986 writing down the bones freeing the writer within paperback big book october 12 1986 by natalie goldberg author 4 6 4 6 out of 5 stars 2 215 ratings

graustufen leben in der ddr in fotografien und texten - Aug 14 2023

web dieses buch hat fotografien aus den achtziger jahren über das leben in der ddr festgehalten einer zeit also in der das baldige ende oft schon spürbar war und sich in

jürgen hohmuth graustufen leben in der ddr in - Apr 10 2023

web graustufen leben in der ddr in fotografien und te fotografie in der ddr als künstlerisches und subkulturelles medium aug 29 2020 studienarbeit aus dem jahr

pdf graustufen leben in der ddr in fotografien und te - Dec 06 2022

web graustufen leben in der ddr in fotografien und te 3 3 vermittelt einen eindruck von der vielfalt und vielgestalt der wege die uns zum verständnis unserer zugleich so nahen

[piqd graustufen leben in der ddr in fotografien und texten](#) - Feb 08 2023

web jun 29 2023 graustufen leben in der ddr in fotografien und te pdf but end up in infectious downloads rather than enjoying a good book with a cup of tea in the

*bildungssystem in der ddr wikiwand* - Oct 24 2021

web we present graustufen leben in der ddr in fotografien und te and numerous ebook collections from fictions to scientific research in any way accompanied by them is this

[graustufen leben in der ddr in fotografien und te](#) - Mar 09 2023

web dec 13 2017 im februar bekam ich eine anfrage des fotografen jürgen hohmuth er suchte autoren die für ein buchprojekt zu seinen fotos texte schreiben sollten ich

**graustufen leben in der ddr in fotografien und te uniport edu** - Apr 29 2022

web graustufen leben in der ddr in fotografien und te downloaded from old cosmc org by guest hallie eddie systematics and the origin of species neobooks häufig suchen

[bundesrepublik deutschland abitur photographie eines](#) - Dec 26 2021

web jan 17 2022 system der kitas und hortbetreuung als vorbildlich gilt bis heute das system der krippen und kindertagesstätten der ddr und die ganztagshortbetreuung

*graustufen leben in der ddr in fotografien und te christina* - Jul 01 2022

web we pay for graustufen leben in der ddr in fotografien und te and numerous books collections from fictions to scientific research in any way among them is this graustufen

*graustufen leben in der ddr in fotografien und te* - Jun 12 2023

web seinem mysteriösen tod arbeitete und der als verschollen galt soll als höhepunkt des festivals gezeigt werden doch es wird gestohlen anna gerät immer tiefer in den fall

[graustufen leben in der ddr in fotografien und te 2023](#) - May 31 2022

web apr 12 2023 as this graustufen leben in der ddr in fotografien und te it ends going on innate one of the favored books graustufen leben in der ddr in fotografien und te

**graustufen leben in der ddr in fotografien und te download** - Mar 29 2022

web you could buy guide graustufen leben in der ddr in fotografien und te or get it as soon as feasible you could quickly download this graustufen leben in der ddr in

**graustufen leben in der ddr in fotografien und te 2022** - Oct 04 2022

web may 29 2023 now is graustufen leben in der ddr in fotografien und te below within walls paul betts 2012 11 22 a history of private life in the german democratic republic

**ddr so war das damals die schulbildung im osten superillu** - Nov 24 2021

web die festlegungen des gesetzes über das einheitliche sozialistische bildungssystem von 1965 bestimmten das schulsystem der ddr bis zu ihrem ende das bildungsmonopol

[die ddr geschichte klassenarbeiten de](#) - Jan 27 2022

web durch die sogenannte reformierte oberstufe wurden die klassenverbände aufgelöst und die schüler besuchen nun verschiedene kurse die sich aus schülern der gesamten

**graustufen leben in der ddr in fotografien und te** - Feb 25 2022

web sep 3 2023 thema die ddr kostenlose klassenarbeiten und Übungsblätter als pdf datei kostenlos mit musterlösung echte prüfungsaufgaben

[graustufen leben in der ddr in fotografien und te pdf r](#) - Jan 07 2023

web dieser band widmet sich der frage mit welchen bildern stereotypen konstruktionen mustern und deutungen die ddr in literatur film und internet rückblickend erinnert wird

[graustufen leben in der ddr in fotografien und texten](#) - May 11 2023

web graustufen leben in der ddr in fotografien und texten photographs by jürgen hohmuth contributors dietmar ebert peter mühlfriedel manfred sährig publisher

[graustufen leben in der ddr in fotografien und te uniport edu](#) - Sep 03 2022

web feb 23 2023 in der ddr in fotografien und te as with ease as evaluation them wherever you are now the wonderful years reiner kunze 1977 04 01 in an english seaside

**graustufen leben in der ddr in fotografien und te download** - Nov 05 2022

web graustufen leben in der ddr in fotografien und te das bild der ddr in literatur film und internet this is what happy looks like the new sorrows of young w the other

[graustufen leben in der ddr in fotografien und te pdf](#) - Aug 02 2022

web graustufen leben in der ddr in fotografien und te below erfüllte körper stephanie heimgartner 2017 zwischen der einföhrung der antibabypille in den 1960er jahren und

[graustufen leben in der ddr in fotografien und texten](#) - Jul 13 2023

web die bilder zeigen eine kultur die sich den ddr fremden oder spätgeborenen heute nur noch schwer erschließt diejenigen die dabei waren haben die in den bildern

**graustufen leben in der ddr in fotografien und te christina** - Sep 22 2021