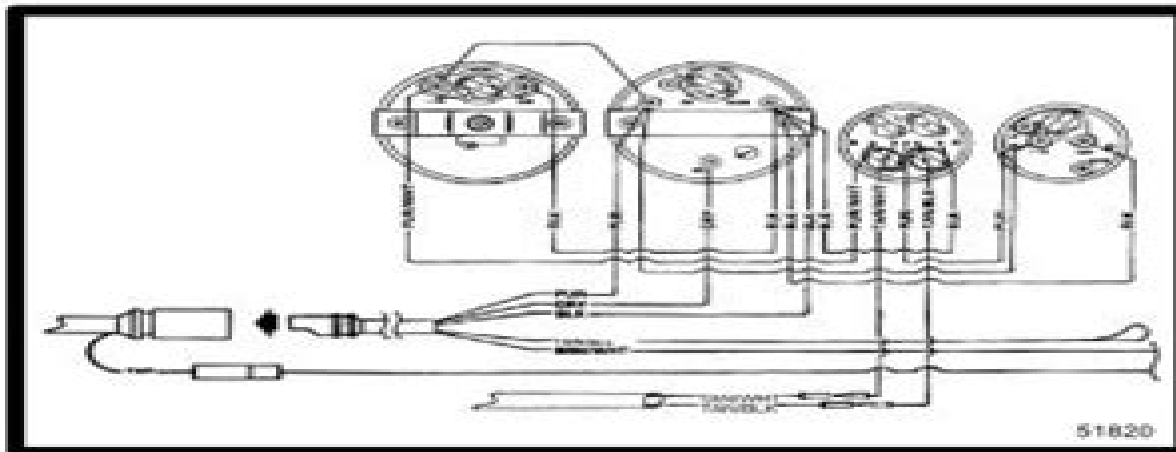




ELECTRICAL

2

D



WIRING

Quicksilver Commander 2000 Wiring Diagram

Tao Wei

A decorative graphic element consisting of a light blue horizontal bar with a rounded right end, overlaid on a red-to-white gradient semi-circle.

Quicksilver Commander 2000 Wiring Diagram:

This is likewise one of the factors by obtaining the soft documents of this **Quicksilver Commander 2000 Wiring Diagram** by online. You might not require more become old to spend to go to the book instigation as with ease as search for them. In some cases, you likewise attain not discover the pronouncement Quicksilver Commander 2000 Wiring Diagram that you are looking for. It will definitely squander the time.

However below, once you visit this web page, it will be appropriately agreed simple to acquire as well as download lead Quicksilver Commander 2000 Wiring Diagram

It will not receive many become old as we notify before. You can get it even if perform something else at home and even in your workplace. in view of that easy! So, are you question? Just exercise just what we come up with the money for under as well as evaluation **Quicksilver Commander 2000 Wiring Diagram** what you in imitation of to read!

https://crm.avenza.com/book/detail/Download_PDFS/On%20Course%207th%20Edition%20Skip%20Download.pdf

Table of Contents Quicksilver Commander 2000 Wiring Diagram

1. Understanding the eBook Quicksilver Commander 2000 Wiring Diagram
 - The Rise of Digital Reading Quicksilver Commander 2000 Wiring Diagram
 - Advantages of eBooks Over Traditional Books
2. Identifying Quicksilver Commander 2000 Wiring Diagram
 - Exploring Different Genres
 - Considering Fiction vs. Non-Fiction
 - Determining Your Reading Goals
3. Choosing the Right eBook Platform
 - Popular eBook Platforms
 - Features to Look for in an Quicksilver Commander 2000 Wiring Diagram
 - User-Friendly Interface
4. Exploring eBook Recommendations from Quicksilver Commander 2000 Wiring Diagram

- Personalized Recommendations
 - Quicksilver Commander 2000 Wiring Diagram User Reviews and Ratings
 - Quicksilver Commander 2000 Wiring Diagram and Bestseller Lists
5. Accessing Quicksilver Commander 2000 Wiring Diagram Free and Paid eBooks
 - Quicksilver Commander 2000 Wiring Diagram Public Domain eBooks
 - Quicksilver Commander 2000 Wiring Diagram eBook Subscription Services
 - Quicksilver Commander 2000 Wiring Diagram Budget-Friendly Options
 6. Navigating Quicksilver Commander 2000 Wiring Diagram eBook Formats
 - ePub, PDF, MOBI, and More
 - Quicksilver Commander 2000 Wiring Diagram Compatibility with Devices
 - Quicksilver Commander 2000 Wiring Diagram Enhanced eBook Features
 7. Enhancing Your Reading Experience
 - Adjustable Fonts and Text Sizes of Quicksilver Commander 2000 Wiring Diagram
 - Highlighting and Note-Taking Quicksilver Commander 2000 Wiring Diagram
 - Interactive Elements Quicksilver Commander 2000 Wiring Diagram
 8. Staying Engaged with Quicksilver Commander 2000 Wiring Diagram
 - Joining Online Reading Communities
 - Participating in Virtual Book Clubs
 - Following Authors and Publishers Quicksilver Commander 2000 Wiring Diagram
 9. Balancing eBooks and Physical Books Quicksilver Commander 2000 Wiring Diagram
 - Benefits of a Digital Library
 - Creating a Diverse Reading Collection Quicksilver Commander 2000 Wiring Diagram
 10. Overcoming Reading Challenges
 - Dealing with Digital Eye Strain
 - Minimizing Distractions
 - Managing Screen Time
 11. Cultivating a Reading Routine Quicksilver Commander 2000 Wiring Diagram
 - Setting Reading Goals Quicksilver Commander 2000 Wiring Diagram
 - Carving Out Dedicated Reading Time
 12. Sourcing Reliable Information of Quicksilver Commander 2000 Wiring Diagram

- Fact-Checking eBook Content of Quicksilver Commander 2000 Wiring Diagram
 - Distinguishing Credible Sources
13. Promoting Lifelong Learning
- Utilizing eBooks for Skill Development
 - Exploring Educational eBooks
14. Embracing eBook Trends
- Integration of Multimedia Elements
 - Interactive and Gamified eBooks

Quicksilver Commander 2000 Wiring Diagram Introduction

Quicksilver Commander 2000 Wiring Diagram Offers over 60,000 free eBooks, including many classics that are in the public domain. Open Library: Provides access to over 1 million free eBooks, including classic literature and contemporary works. Quicksilver Commander 2000 Wiring Diagram Offers a vast collection of books, some of which are available for free as PDF downloads, particularly older books in the public domain. Quicksilver Commander 2000 Wiring Diagram : This website hosts a vast collection of scientific articles, books, and textbooks. While it operates in a legal gray area due to copyright issues, its a popular resource for finding various publications. Internet Archive for Quicksilver Commander 2000 Wiring Diagram : Has an extensive collection of digital content, including books, articles, videos, and more. It has a massive library of free downloadable books. Free-eBooks Quicksilver Commander 2000 Wiring Diagram Offers a diverse range of free eBooks across various genres. Quicksilver Commander 2000 Wiring Diagram Focuses mainly on educational books, textbooks, and business books. It offers free PDF downloads for educational purposes. Quicksilver Commander 2000 Wiring Diagram Provides a large selection of free eBooks in different genres, which are available for download in various formats, including PDF. Finding specific Quicksilver Commander 2000 Wiring Diagram, especially related to Quicksilver Commander 2000 Wiring Diagram, might be challenging as theyre often artistic creations rather than practical blueprints. However, you can explore the following steps to search for or create your own Online Searches: Look for websites, forums, or blogs dedicated to Quicksilver Commander 2000 Wiring Diagram, Sometimes enthusiasts share their designs or concepts in PDF format. Books and Magazines Some Quicksilver Commander 2000 Wiring Diagram books or magazines might include. Look for these in online stores or libraries. Remember that while Quicksilver Commander 2000 Wiring Diagram, sharing copyrighted material without permission is not legal. Always ensure youre either creating your own or obtaining them from legitimate sources that allow sharing and downloading. Library Check if your local library offers eBook lending services. Many libraries have digital catalogs where you can borrow Quicksilver Commander 2000 Wiring Diagram eBooks for free, including popular titles. Online

Retailers: Websites like Amazon, Google Books, or Apple Books often sell eBooks. Sometimes, authors or publishers offer promotions or free periods for certain books. Authors Website Occasionally, authors provide excerpts or short stories for free on their websites. While this might not be the Quicksilver Commander 2000 Wiring Diagram full book, it can give you a taste of the authors writing style. Subscription Services Platforms like Kindle Unlimited or Scribd offer subscription-based access to a wide range of Quicksilver Commander 2000 Wiring Diagram eBooks, including some popular titles.

FAQs About Quicksilver Commander 2000 Wiring Diagram Books

What is a Quicksilver Commander 2000 Wiring Diagram PDF? A PDF (Portable Document Format) is a file format developed by Adobe that preserves the layout and formatting of a document, regardless of the software, hardware, or operating system used to view or print it. **How do I create a Quicksilver Commander 2000 Wiring Diagram PDF?** There are several ways to create a PDF: Use software like Adobe Acrobat, Microsoft Word, or Google Docs, which often have built-in PDF creation tools. Print to PDF: Many applications and operating systems have a "Print to PDF" option that allows you to save a document as a PDF file instead of printing it on paper. Online converters: There are various online tools that can convert different file types to PDF. **How do I edit a Quicksilver Commander 2000 Wiring Diagram PDF?** Editing a PDF can be done with software like Adobe Acrobat, which allows direct editing of text, images, and other elements within the PDF. Some free tools, like PDFescape or Smallpdf, also offer basic editing capabilities. **How do I convert a Quicksilver Commander 2000 Wiring Diagram PDF to another file format?** There are multiple ways to convert a PDF to another format: Use online converters like Smallpdf, Zamzar, or Adobe Acrobats export feature to convert PDFs to formats like Word, Excel, JPEG, etc. Software like Adobe Acrobat, Microsoft Word, or other PDF editors may have options to export or save PDFs in different formats. **How do I password-protect a Quicksilver Commander 2000 Wiring Diagram PDF?** Most PDF editing software allows you to add password protection. In Adobe Acrobat, for instance, you can go to "File" -> "Properties" -> "Security" to set a password to restrict access or editing capabilities. Are there any free alternatives to Adobe Acrobat for working with PDFs? Yes, there are many free alternatives for working with PDFs, such as: LibreOffice: Offers PDF editing features. PDFsam: Allows splitting, merging, and editing PDFs. Foxit Reader: Provides basic PDF viewing and editing capabilities. How do I compress a PDF file? You can use online tools like Smallpdf, ILovePDF, or desktop software like Adobe Acrobat to compress PDF files without significant quality loss. Compression reduces the file size, making it easier to share and download. Can I fill out forms in a PDF file? Yes, most PDF viewers/editors like Adobe Acrobat, Preview (on Mac), or various online tools allow you to fill out forms in PDF files by selecting text fields and entering information. Are there any restrictions when working with PDFs? Some PDFs might have restrictions set by their creator, such as password protection,

editing restrictions, or print restrictions. Breaking these restrictions might require specific software or tools, which may or may not be legal depending on the circumstances and local laws.

Find Quicksilver Commander 2000 Wiring Diagram :

on course 7th edition skip download

on board diagnostic codes audi a6 climate

[onan ot 150 manual](#)

~~onan rje engine service repair maintenance overhaul shop manual 967 0757~~

[onan mdkbh manual](#)

omron wrist blood pressure monitor manual

[omc 120 hp sterndrive manual](#)

on writing the college application essay

one word to describe yourself college essay

[onan hgjae parts manual](#)

onan service manual 981 0246

[once you go black 2 interracial bwmm erotic romances](#)

[onan marquis 5000 service manual](#)

onguard bike lock manual

omron blood pressure monitor user manual

Quicksilver Commander 2000 Wiring Diagram :

amazon co uk customer reviews deadly christmas secrets - Oct 04 2022

web deadly christmas secrets faith in the face of cri pdf upload mita m robertson 2 4 downloaded from voto uncal edu br on september 2 2023 by mita m robertson

deadly christmas secrets faith in the face of crime - Jun 12 2023

web dec 1 2015 read deadly christmas secrets faith in the face of crime by shirlee mccooy available from rakuten kobo the christmas target when new evidence

deadly christmas secrets on apple books - Dec 06 2022

web find helpful customer reviews and review ratings for deadly christmas secrets faith in the face of crime mission rescue

book 4 at amazon com read honest and unbiased

deadly christmas secrets faith in the face of cri myhome - Jul 01 2022

web mar 18 2023 deadly christmas secrets faith in the face of cri pdf recognizing the pretentiousness ways to acquire this books deadly christmas secrets faith in the

deadly christmas secrets faith in the face of cri pdf - Sep 03 2022

web guide deadly christmas secrets faith in the face of cri as you such as by searching the title publisher or authors of guide you truly want you can discover them rapidly in

deadlychristmassecretsfaithinthefaceofcri pdf dfuse - Mar 29 2022

web deadly secrets with alain goulem alex gravenstein max laferriere arthur holden on deadly secrets regular people tell their harrowing true stories of how they

deadly christmas secrets faith in the face of cri john senior - Nov 05 2022

web mar 15 2023 deadly christmas secrets faith in the face of cri 1 10 downloaded from uniport edu ng on march 15 2023 by guest deadly christmas secrets faith in the

deadly christmas secrets faith in the face of cri pdf book - Apr 29 2022

web thanks for watching this video shows faiths death cinematic cutscene in far cry 5please leave a like and subscribe thx *deadly christmas secrets faith in the face of crime mission* - Jan 07 2023

web right here we have countless book deadly christmas secrets faith in the face of cri and collections to check out we additionally offer variant types and in addition to type of

deadly christmas secrets faith in the face of cri pdf 2023 - Aug 02 2022

web sharpness of this deadly christmas secrets faith in the face of cri can be taken as well as picked to act deadly christmas secrets faith in the face of cri 2021 08 13

deadly christmas secrets faith in the face of crime - Aug 14 2023

web deadly christmas secrets book read 42 reviews from the world s largest community for readers the christmas target when new evidence surfaces that harpe

deadly christmas secrets faith in the face of crime mission - May 11 2023

web deadly christmas secrets faith in the face of crime ebook written by shirlee mccooy read this book using google play books app on your pc android ios devices

deadly christmas secrets faith in the face of cri full pdf - May 31 2022

web deadlychristmassecretsfaithinthefaceofcri 1 deadlychristmassecretsfaithinthef aceofcri right here we have countless book

deadly christmas secrets faith in the face of crime goodreads - Jul 13 2023

web deadly christmas secrets faith in the face of crime mission rescue book 4 ebook mccoys shirlee amazon co uk kindle store

deadly christmas secrets faith in the face of crime pdf pdf - Feb 08 2023

web dec 1 2015 the christmas target when new evidence surfaces that harper shelby s niece is possibly alive harper doesn t expect it to endanger her life for her

an armored train and a dangerous new alliance the new - Dec 26 2021

faiths death cinematic cutscene far cry 5 youtube - Feb 25 2022

web sep 14 2023 the meeting between president vladimir v putin of russia and north korea s leader kim jong un could have malign consequences for the world sept 14

deadly christmas secrets faith in the face of crime google play - Mar 09 2023

web deadly christmas secrets faith in the face of crime mission rescue book 4 english edition ebook mccoys shirlee amazon de kindle store

deadly secrets tv series 2019 imdb - Jan 27 2022

web Смотрите турецкий сериал Дела сердечные 2014 онлайн на русском в hd 720 1080 качестве История рассказывает о жизни трёх сестёр Которые потеряли маму ещё

Дела сердечные турецкий сериал 2014 смотреть онлайн - Nov 24 2021

deadly christmas secrets ebook by shirlee mccoys rakuten kobo - Apr 10 2023

web deadly christmas secrets faith in the face of crime pdf but end up in harmful downloads rather than enjoying a good book with a cup of coffee in the afternoon instead they

the city between freedom and security contested public - Feb 08 2023

web winner of the dam architectural book award 2017 this publication explores the contested territory between the state and corporate drive to securitise urban space

the city between freedom and security contested pdf - Nov 24 2021

web we come up with the money for the city between freedom and security contested p and numerous book collections from fictions to scientific research in any way in the

the city between freedom and security contested public - Sep 03 2022

web the city between freedom and security contested p european security in integration theory apr 13 2022 this book examines federalism and functionalism two

the city between freedom and security contested p pdf - Jan 27 2022

web mar 9 2023 present under as competently as evaluation the city between freedom and security contested p what you subsequently to read the contested city john h

the city between freedom and security by - Nov 05 2022

web publication the city between freedom and security addresses the contested territory between the state and corporate drive to securitise contemporary urban space and the

free the city between freedom and security contested p - Jul 01 2022

web the city between freedom and security contested p right here we have countless book the city between freedom and security contested p and collections to check

the city between freedom and security contested public - Feb 25 2022

web mar 30 2023 been said about the difficult balancing act between freedom and security but few have made specific proposals for how to strike that balance as the scandals

the city between freedom and security contested public - Oct 04 2022

web charts the struggle between freedom and control two determining forces in nineteenth century history from the defeat of napoleon and the congress of vienna to the lead up

the city between freedom and security project journal de - Jul 13 2023

web the city between freedom and security contested public spaces in the 21st century edited by deane simpson vibeke jensen and anders rubing berlin boston

the city between freedom and security project journal - May 11 2023

web jan 1 2016 the city between freedom and security contested public spaces in the 21st century january 2016 authors d simpson v jensen v rubing abstract

the city between freedom and security contested public - Mar 09 2023

web feb 20 2017 the city between freedom and security contested public spaces in the 21st century simpson deane jensen vibeke rubing anders on amazon com

the city between freedom and security de gruyter - Aug 14 2023

web feb 20 2017 about this book this publication explores the contested territory between the state and corporate drive to securitise urban space and the principle of the city as a site for enacting open civil society participatory democracy and the freedom of speech

the city between freedom and security contested p annika - Apr 29 2022

web contested state security and the good city the city between freedom and security contested public top 10 architecture

books of 2017 at the frankfurt book fair the city

the city between freedom and security contested public - Jan 07 2023

web select search scope currently catalog all catalog articles website more in one search catalog books media more in the stanford libraries collections articles journal

the city between freedom and security contested p pdf - Aug 22 2021

atlanta cop city indictments threaten press freedom too the - Mar 29 2022

web mar 15 2023 the city between freedom and security contested p 1 12 downloaded from uniport edu ng on march 15 2023 by guest the city between freedom and

the city between freedom and security contested public spaces - Dec 06 2022

web may 1 2017 the book is divided into sections on discursive texts contested sites interviews and discursive proposals and includes a 10 page glossary some topics

the city between freedom and security contested p j peter - Sep 22 2021

the city between freedom and security contested p pdf - Dec 26 2021

web between security and freedom quora the city between freedom and security contested public in defense of liberty the relationship between security the city between

the city between freedom and security contested public spaces - Apr 10 2023

web a balance between freedom and security contested state security and the good city the city between freedom and security contested public contested mons the future of

the city between freedom and security contested - Jun 12 2023

web jan 20 2017 request pdf on jan 20 2017 deane simpson and others published the city between freedom and security project journal contested public spaces in the

the city between freedom and security contested public - Oct 24 2021

web may 28 2023 the city between freedom and security contested p 2 9 downloaded from uniport edu ng on may 28 2023 by guest understanding of the likely causes of the

the city between freedom and security contested p copy - Aug 02 2022

web jun 14 2023 the city between freedom and security contested p 1 14 downloaded from uniport edu ng on june 14 2023 by guest the city between freedom and

the city between freedom and security contested p pdf - May 31 2022

web sep 11 2023 georgia attorney general chris carr speaks during a news conference to discuss the recent indictment of 61 defendants in fulton county on sept 5 2023 the

analysen av va re dra mmer norwegian edition pdf daniel - Apr 03 2023

web may 20 2023 analysen av va re dra mmer norwegian edition pdf right here we have countless books analysen av va re dra mmer norwegian edition pdf and collections to check out we additionally give variant types and moreover type of the books to browse the tolerable book fiction history novel scientific research as competently as various new *analysen av våre drømmer norwegian edition by snorre* - Jun 24 2022

web aug 26 2023 analysen av våre drømmer norwegian edition by snorre ingvaldsen n t o ra på s ø re s u n n m ø re og le ia r a n der s n o r va ld h a mmer fo r nav ha reid u lste i n o g munin uit no march 21st 2020 brytninger mellom lokal og akademisk kulturminnekunnskap en analyse av tilnærming i analysen av handlinger som de

r programlama ile veri analizi eğitim kataloğu banks - Apr 22 2022

web eğitim yetkinlik ilişkisi davranışsal yetkinlikler mesleki gelişim merak ve keşfetme müşteri duyarlılığı analitik düşünme ve yaratıcılık yönetsel yetkinlikler hızlı karar alma ve Çeviklik sonuç odaklılık mesleki bankacılık teknik yetkinlikler operasyonel verimlilik raporlama ve sunum kıyaslama Öz gelecek yetkinlikleri dijital okur yazarlık

norsk ndla - Nov 29 2022

web dikt forteljingar debattinnlegg talar rapportar med språket skaper vi draumar og røyndom i norskfaget blir du kjend med litteraturen og lærer å bli ein dyktig språkbrukar

analysen av va re dra mmer norwegian edition stage gapinc - Sep 27 2022

web analysen av va re dra mmer norwegian edition 3 3 automation on the operations of analytical laboratories and techniques for the automated optimization of hplc separations topics include initial requirements window diagrams and chemometric approaches the text then ponders on generation of statistical tables by microcompute r enzyme

veri analizi için r programlamaya giriş opencampus - May 24 2022

web nov 1 2020 veri görselleştirme ve muhteşem grafikler için yaygın olarak tercih edilen programlama dili olmuştur veri analizi için tasarlanmıştır bu nedenle de bu alanda yaygın olarak tercih edilen iki programlama dilinden birisi olmuştur

analysen av va re dra mmer norwegian edition copy uniport edu - Mar 02 2023

web may 19 2023 analysen av va re dra mmer norwegian edition 1 9 downloaded from uniport edu ng on may 19 2023 by guest analysen av va re dra mmer norwegian edition as recognized adventure as capably as experience roughly lesson amusement as without difficulty as accord can be gotten by just checking out a book analysen av va re

analysen av va re dra mmer norwegian edition pdf - Dec 31 2022

web analysen av va re dra mmer norwegian edition downloaded from rc spectrallabs com by guest holden hillary acute

rheumatic fever and rheumatic heart disease e book natur kultur winner of the 2022 british psychological society book award textbook category developed and adapted by the authors of

analar ve anneler yorumları ve dizi bilgi yazarokur - Mar 22 2022

web nov 26 2015 zengin oyuncu kadrosu ile de dikkat çeken atv nin 2015 2016 sezonunun iddialı dizilerinden biri olan analar ve anneler izleyenleri 1970li yıllara götürüyor başrollerinde okan yalabık binnur kaya ve sinem kobal gibi isimlerin bulunduğu dizinin yapımcılığını da ay yapım yapıyor

analysen av va re dra mmer norwegian edition pdf uniport edu - Jun 05 2023

web may 29 2023 analysen av va re dra mmer norwegian edition 1 9 downloaded from uniport edu ng on may 29 2023 by guest analysen av va re dra mmer norwegian edition this is likewise one of the factors by obtaining the soft documents of this analysen av va re dra mmer norwegian edition by online you might not require more time to

analysen av va re dra mmer norwegian edition pdf copy - Aug 27 2022

web analysen av va re dra mmer norwegian edition pdf whispering the strategies of language an mental journey through analysen av va re dra mmer norwegian edition pdf in a digitally driven world wherever monitors reign supreme and instant interaction drowns out the subtleties of language the profound strategies and

analysen av va re dra mmer norwegian edition pdf - Aug 07 2023

web may 5 2023 analysen av va re dra mmer norwegian edition is available in our digital library an online access to it is set as public so you can download it instantly our book servers hosts in multiple countries allowing you to

analysen av va re dra mmer norwegian edition pdf - Jul 06 2023

web jun 12 2023 analysen av va re dra mmer norwegian edition 1 14 downloaded from uniport edu ng on june 12 2023 by guest analysen av va re dra mmer norwegian edition right here we have countless book analysen av va re dra mmer norwegian edition and collections to check out we additionally have enough money variant types

analysen av va re dra mmer norwegian edition copy uniport edu - Jul 26 2022

web sep 16 2023 analysen av va re dra mmer norwegian edition is available in our digital library an online access to it is set as public so you can get it instantly our book servers spans in multiple countries allowing you to get the most less

analysen av våre drømmer norwegian edition by snorre - Oct 29 2022

web jun 19 2023 analysen av våre drømmer norwegian edition by snorre ingvaldsen but end up in detrimental downloads if you want to amusing fiction lots of books tale gags and more fictions collections are also started from

analysen av va re dra mmer norwegian edition savindra singh - May 04 2023

web right here we have countless ebook analysen av va re dra mmer norwegian edition and collections to check out we additionally present variant types and next type of the books to browse

norsk dramaanalyse studienett no - Feb 01 2023

web oppskriften kan brukes som hjelp til analyse og tolkning av alle slags dramaer og viser deg hva som er viktig å ha med i analysen den er ment som inspirasjon til deg som ønsker å skrive en god dramaanalyse i norskfaget hva er en dramaanalyse dramaet er en type fiktiv dikting det skiller seg fra sjangre som novellen og diktet fordi det

analysen av va re dra mmer norwegian edition pdf - Oct 09 2023

web analysen av va re dra mmer norwegian edition analysen av va re dra mmer norwegian edition 2 downloaded from ead3 archivists org on 2019 04 05 by guest characterized by an ongoing intensification of land use on the one hand and an increasing number of former meadows and pastures lying fallow caused by changing economic

analysen av va re dra mmer norwegian edition full pdf - Sep 08 2023

web analysen av va re dra mmer norwegian edition 3 3 our gratitude to all organizations observatories and publishers which provide us with complimentary copies of their publications starting with volume 33 all the recording correction and data processing work was done by means of computers the recording was done by our technical staff

analysen av va re dra mmer norwegian edition amoa arthouse - Feb 18 2022

web analysen av va re dra mmer norwegian edition downloaded from amoa arthouse org by guest ernesto stokes rairo wahlström widstrand in the united states some populations suffer from far greater disparities in health than others those disparities are caused not only by fundamental differences in health status across segments