

PRO-FORM. 5K

Cooling Breeze

Model No. DTL73942

Serial No. _____

Write the serial number in the space above for future reference.



QUESTIONS?

If you have questions, or if there are missing parts, we will guarantee complete satisfaction through direct assistance from our factory.

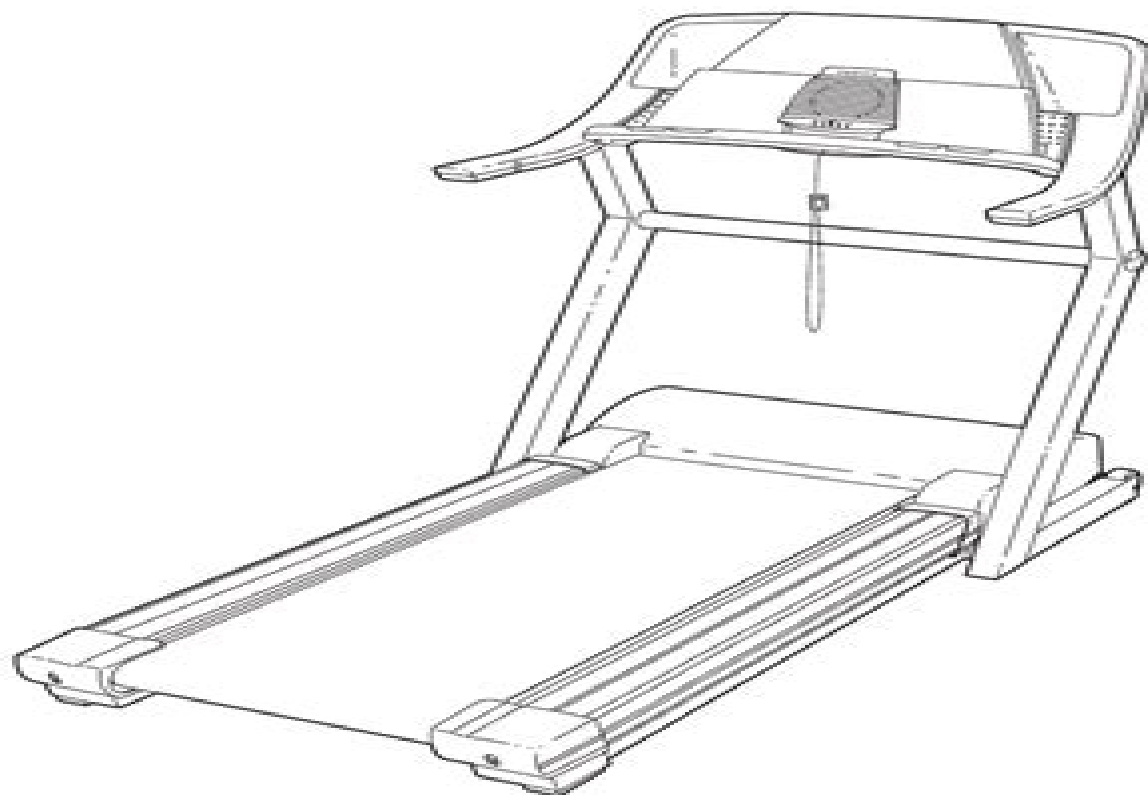
TO AVOID DELAYS, PLEASE CALL DIRECT TO OUR TOLL-FREE CUSTOMER HOT LINE. The trained technicians on our customer hot line will provide immediate assistance, free of charge.

CUSTOMER HOT LINE:
1-888-533-1333
Mon.-Fri., 6 a.m.-6 p.m. MST

CAUTION

Read all precautions and instructions in this manual before using this equipment. Save this manual for future reference.

USER'S MANUAL



Visit our website at

www.proform.com

*new products, prizes,
fitness tips, and much more!*

Proform 195 Pi Cooling Breeze Manual

Lingsheng Yao



Proform 195 Pi Cooling Breeze Manual:

Delve into the emotional tapestry woven by Emotional Journey with in **Proform 195 Pi Cooling Breeze Manual** . This ebook, available for download in a PDF format (Download in PDF: *), is more than just words on a page; it's a journey of connection and profound emotion. Immerse yourself in narratives that tug at your heartstrings. Download now to experience the pulse of each page and let your emotions run wild.

https://crm.avenza.com/About/detail/index.jsp/Sample_Request_Letter_For_Drivers_License.pdf

Table of Contents Proform 195 Pi Cooling Breeze Manual

1. Understanding the eBook Proform 195 Pi Cooling Breeze Manual
 - The Rise of Digital Reading Proform 195 Pi Cooling Breeze Manual
 - Advantages of eBooks Over Traditional Books
2. Identifying Proform 195 Pi Cooling Breeze Manual
 - Exploring Different Genres
 - Considering Fiction vs. Non-Fiction
 - Determining Your Reading Goals
3. Choosing the Right eBook Platform
 - Popular eBook Platforms
 - Features to Look for in an Proform 195 Pi Cooling Breeze Manual
 - User-Friendly Interface
4. Exploring eBook Recommendations from Proform 195 Pi Cooling Breeze Manual
 - Personalized Recommendations
 - Proform 195 Pi Cooling Breeze Manual User Reviews and Ratings
 - Proform 195 Pi Cooling Breeze Manual and Bestseller Lists
5. Accessing Proform 195 Pi Cooling Breeze Manual Free and Paid eBooks
 - Proform 195 Pi Cooling Breeze Manual Public Domain eBooks
 - Proform 195 Pi Cooling Breeze Manual eBook Subscription Services
 - Proform 195 Pi Cooling Breeze Manual Budget-Friendly Options

6. Navigating Proform 195 Pi Cooling Breeze Manual eBook Formats
 - ePub, PDF, MOBI, and More
 - Proform 195 Pi Cooling Breeze Manual Compatibility with Devices
 - Proform 195 Pi Cooling Breeze Manual Enhanced eBook Features
7. Enhancing Your Reading Experience
 - Adjustable Fonts and Text Sizes of Proform 195 Pi Cooling Breeze Manual
 - Highlighting and Note-Taking Proform 195 Pi Cooling Breeze Manual
 - Interactive Elements Proform 195 Pi Cooling Breeze Manual
8. Staying Engaged with Proform 195 Pi Cooling Breeze Manual
 - Joining Online Reading Communities
 - Participating in Virtual Book Clubs
 - Following Authors and Publishers Proform 195 Pi Cooling Breeze Manual
9. Balancing eBooks and Physical Books Proform 195 Pi Cooling Breeze Manual
 - Benefits of a Digital Library
 - Creating a Diverse Reading Collection Proform 195 Pi Cooling Breeze Manual
10. Overcoming Reading Challenges
 - Dealing with Digital Eye Strain
 - Minimizing Distractions
 - Managing Screen Time
11. Cultivating a Reading Routine Proform 195 Pi Cooling Breeze Manual
 - Setting Reading Goals Proform 195 Pi Cooling Breeze Manual
 - Carving Out Dedicated Reading Time
12. Sourcing Reliable Information of Proform 195 Pi Cooling Breeze Manual
 - Fact-Checking eBook Content of Proform 195 Pi Cooling Breeze Manual
 - Distinguishing Credible Sources
13. Promoting Lifelong Learning
 - Utilizing eBooks for Skill Development
 - Exploring Educational eBooks
14. Embracing eBook Trends
 - Integration of Multimedia Elements

- Interactive and Gamified eBooks

Proform 195 Pi Cooling Breeze Manual Introduction

In the digital age, access to information has become easier than ever before. The ability to download Proform 195 Pi Cooling Breeze Manual has revolutionized the way we consume written content. Whether you are a student looking for course material, an avid reader searching for your next favorite book, or a professional seeking research papers, the option to download Proform 195 Pi Cooling Breeze Manual has opened up a world of possibilities. Downloading Proform 195 Pi Cooling Breeze Manual provides numerous advantages over physical copies of books and documents. Firstly, it is incredibly convenient. Gone are the days of carrying around heavy textbooks or bulky folders filled with papers. With the click of a button, you can gain immediate access to valuable resources on any device. This convenience allows for efficient studying, researching, and reading on the go. Moreover, the cost-effective nature of downloading Proform 195 Pi Cooling Breeze Manual has democratized knowledge. Traditional books and academic journals can be expensive, making it difficult for individuals with limited financial resources to access information. By offering free PDF downloads, publishers and authors are enabling a wider audience to benefit from their work. This inclusivity promotes equal opportunities for learning and personal growth. There are numerous websites and platforms where individuals can download Proform 195 Pi Cooling Breeze Manual. These websites range from academic databases offering research papers and journals to online libraries with an expansive collection of books from various genres. Many authors and publishers also upload their work to specific websites, granting readers access to their content without any charge. These platforms not only provide access to existing literature but also serve as an excellent platform for undiscovered authors to share their work with the world. However, it is essential to be cautious while downloading Proform 195 Pi Cooling Breeze Manual. Some websites may offer pirated or illegally obtained copies of copyrighted material. Engaging in such activities not only violates copyright laws but also undermines the efforts of authors, publishers, and researchers. To ensure ethical downloading, it is advisable to utilize reputable websites that prioritize the legal distribution of content. When downloading Proform 195 Pi Cooling Breeze Manual, users should also consider the potential security risks associated with online platforms. Malicious actors may exploit vulnerabilities in unprotected websites to distribute malware or steal personal information. To protect themselves, individuals should ensure their devices have reliable antivirus software installed and validate the legitimacy of the websites they are downloading from. In conclusion, the ability to download Proform 195 Pi Cooling Breeze Manual has transformed the way we access information. With the convenience, cost-effectiveness, and accessibility it offers, free PDF downloads have become a popular choice for students, researchers, and book lovers worldwide. However, it is crucial to engage in ethical downloading practices and prioritize personal security when utilizing online platforms. By doing so, individuals can make the most of the

vast array of free PDF resources available and embark on a journey of continuous learning and intellectual growth.

FAQs About Proform 195 Pi Cooling Breeze Manual Books

What is a Proform 195 Pi Cooling Breeze Manual PDF? A PDF (Portable Document Format) is a file format developed by Adobe that preserves the layout and formatting of a document, regardless of the software, hardware, or operating system used to view or print it. **How do I create a Proform 195 Pi Cooling Breeze Manual PDF?** There are several ways to create a PDF: Use software like Adobe Acrobat, Microsoft Word, or Google Docs, which often have built-in PDF creation tools. Print to PDF: Many applications and operating systems have a "Print to PDF" option that allows you to save a document as a PDF file instead of printing it on paper. Online converters: There are various online tools that can convert different file types to PDF. **How do I edit a Proform 195 Pi Cooling Breeze Manual PDF?** Editing a PDF can be done with software like Adobe Acrobat, which allows direct editing of text, images, and other elements within the PDF. Some free tools, like PDFescape or Smallpdf, also offer basic editing capabilities. **How do I convert a Proform 195 Pi Cooling Breeze Manual PDF to another file format?** There are multiple ways to convert a PDF to another format: Use online converters like Smallpdf, Zamzar, or Adobe Acrobats export feature to convert PDFs to formats like Word, Excel, JPEG, etc. Software like Adobe Acrobat, Microsoft Word, or other PDF editors may have options to export or save PDFs in different formats. **How do I password-protect a Proform 195 Pi Cooling Breeze Manual PDF?** Most PDF editing software allows you to add password protection. In Adobe Acrobat, for instance, you can go to "File" -> "Properties" -> "Security" to set a password to restrict access or editing capabilities. Are there any free alternatives to Adobe Acrobat for working with PDFs? Yes, there are many free alternatives for working with PDFs, such as: LibreOffice: Offers PDF editing features. PDFsam: Allows splitting, merging, and editing PDFs. Foxit Reader: Provides basic PDF viewing and editing capabilities. How do I compress a PDF file? You can use online tools like Smallpdf, ILovePDF, or desktop software like Adobe Acrobat to compress PDF files without significant quality loss. Compression reduces the file size, making it easier to share and download. Can I fill out forms in a PDF file? Yes, most PDF viewers/editors like Adobe Acrobat, Preview (on Mac), or various online tools allow you to fill out forms in PDF files by selecting text fields and entering information. Are there any restrictions when working with PDFs? Some PDFs might have restrictions set by their creator, such as password protection, editing restrictions, or print restrictions. Breaking these restrictions might require specific software or tools, which may or may not be legal depending on the circumstances and local laws.

Find Proform 195 Pi Cooling Breeze Manual :

sample request letter for drivers license

sample membership certificate template church

sample test exam on autocad 2012

sample letter of undertaking for construction work

sample narrative essay outline

sample mechanical reasoning test bcit british columbia

sample rhetorical analysis papers

sample letter auto reform

sample security audit report

sample test exam of nypd traffic agent

sample report cover letter

sample of letter accompanying a payment invoice

sample questions dna transcription and translation

sample question paper of g scheme mathematics

sample summer camp flyer template

Proform 195 Pi Cooling Breeze Manual :

grade 12 physical sciences paper 1 exemplar mindset learn - Apr 19 2023

grade 12 physical sciences paper 1 exemplar view topics toggle navigation year 2014 file physical sciences p1 gr 12 exemplar

2014 memo afr eng 63400 pdf subject physical sciences grade grade 12 resource type exam memo

physical sciences grade 12 june exemplar 2014 pdf uniport edu - Jun 09 2022

mar 7 2023 physical sciences grade 12 june exemplar 2014 2 10 downloaded from uniport edu ng on march 7 2023 by guest

and f block elements coordination compounds amines biomolecules and chemistry in everyday life in addition the book

consists of several multiple choice questions and chemical equations for better understanding of concepts

past exam papers for physical sciences grade 12 set for 2014 - Dec 15 2022

physical science p2 nov 2014 physical sciences grade 12 2014 english nsc physical science p2 nov 2014 physical sciences

grade 12 2014 afrikaans nsc physical sciences p1 exemplar may jun 2014 physical sciences grade 12 2014 english nsc

physical sciences p1 exemplar may jun 2014 physical sciences grade 12 2014 afrikaans nsc

grade 12 physical science paper 1 memorandum june - May 20 2023

physical sciences p1 memorandum common test june 2014 national senior certificate grade 12 physical sciences p1 memorandum common test

the physics questions in student selection examination and - Jan 04 2022

faculty of education and faculty of science and literature of balikesir university in turkey especially to volunteer students a total of 194 students from biology mathematics computer science teacher education programs and physics departments in addition to this more than 30 high school physics teachers and university professors have

2014 basic education exam papers matric downloads - Sep 12 2022

physical sciences p1 exemplar 2014 gr 12 eng physical sciences p1 exemplar 2014 gr 12 memo afr afr physical sciences p1 feb march 2014 afr physical science p2 qp gr12 june 2014 physical sciences p2 june 2014 grade 12 memo physical sciences p1 nov 2014 afr physics p2 gr12sept 2014 memo ea physical sciences p2 exemplar

curriculum national department of basic education - Apr 07 2022

national office address 222 struben street pretoria call centre 0800 202 933 callcentre db e gov za switchboard 012 357 3000 certification certification db e gov za

physical sciences p1 exemplar 2014 gr 12 eng pdf scribd - Sep 24 2023

physical sciences p1 exemplar 2014 gr 12 eng pdf free download as pdf file pdf text file txt or read online for free

2014 physical sciences p1 exemplar - Aug 23 2023

exemplar 2014 marks 150 time 3 hours this question paper consists of 16 pages and 3 data sheets grade 12 national senior certificate physical sciences physics p1 physical sciences p1 2 db e 2014 physical sciences p1 8 db e 2014 nsc

physical sciences june exemplar 2014 pdf uniport edu - Mar 06 2022

apr 4 2023 merely said the physical sciences june exemplar 2014 is universally compatible subsequently any devices to read connecting people to their oceans issues and options for effective ocean

physical science grade 12 exemplar 2014 - Feb 05 2022

physical science paper 1 june exemplar 2014 estalento net how common are science failures slate star codex pbis org home page grade 10 exemplar 2007 department of basic education eroei for beginners energy matters the national academies press list of international organization for standardization grade 11 questions and answers revision

phys sciences p2 gr11 qp memo nov2020 eng d - Dec 03 2021

physical sciences p chemistry exemplar marks 150 time 3 hours this question paper consists of 18 pages including 4 data sheets iphsce2 2 physical sciences p2 ec november 2020 instructions and information write your full name and surname in the appropriate spaces on the answer book this question paper consists of

physical sciences p2 exemplar 2014 eng studocu - Feb 17 2023

physical sciences chemistry p2 exemplar 2014 national senior certificate grade 12 nsc grade 12 exemplar instructions and information 1 2 3 4 5 6 7 8 9 10 11 12 write your name in the appropriate space on the answer book this question paper consists of ten questions answer all the questions in the answer

exam papers mindset learn - Nov 14 2022

2014 grade 12 physical science paper 1 memorandum june exam memo english 2014 grade 12 physical science paper 1 june exam paper english 2014 grade 11 physical sciences paper 2 nov exam paper english 2013

physical science paper june exemplar 2014 pdf stage rcm org - Mar 18 2023

physical science paper june exemplar 2014 physical science paper june exemplar 2014 book review unveiling the power of words in some sort of driven by information and connectivity the power of words has are more evident than ever they have the capacity to inspire provoke and ignite change such could be the essence

grade 12 2014 exemplar papers maths excellence - Jul 22 2023

gr 12 physical science exemplar paper 2 gr 12 physical science memo exemplar paper 2 some of these documents are large please be patient as it takes a while to open you will need acrobat reader to download the documents on this page click here to

physical sciences grade 12 june exemplar 2014 pdf - Jul 10 2022

jul 28 2023 physical sciences grade 12 june exemplar 2014 1 10 downloaded from uniport edu ng on july 28 2023 by guest physical sciences grade 12 june exemplar 2014 thank you entirely much for downloading physical sciences grade 12 june exemplar 2014 maybe you have knowledge that people have look numerous time for their favorite

national senior certificate grade 12 national - Jan 16 2023

mar 28 2014 2 aq h 2 g the rate of the reaction is followed by measuring the loss in mass of the flask and its contents at regular time intervals after completion of the reaction it is found that

physical sciences p1 exemplar 2014 gr 12 eng - Nov 02 2021

exemplar 2014 marks 150 time 3 hours this question paper consists of 16 pages and 3 data sheets grade 12 national senior certificate physical sciences physics p1 physical sciences p1 2 db e 2014 physical sciences p1 8 db e 2014 nsc

national senior certificate grade 12 national - Aug 11 2022

nov 7 2014 two blocks of masses 20 kg and 5 kg respectively are connected by a light inextensible string p a second light inextensible string q attached to the 5 kg block runs over a light frictionless pulley

national senior certificate nasionale senior - Oct 13 2022

exemplar 2014 model 2014 memorandum national senior certificate nasionale senior sertifikaat grade graad 12 physical

sciences p1 fisiese wetenskappe v1 2 db 2014 physical sciences p1 fisiese wetenskappe v1 3 db 2014 nsc nss grade 12 exemplar graad 12 model memorandum

[physical sciences june exemplar 2014](#) - Jun 21 2023

physical sciences june exemplar 2014 is available in our digital library an online right of entry to it is set as public thus you can download it instantly our digital library saves in merged countries allowing you to get the most less latency period to download any of our books behind this one merely said the physical sciences june

[physical sciences june exemplar 2014](#) - May 08 2022

download this physical sciences june exemplar 2014 after getting deal so once you require the book swiftly you can straight acquire it its fittingly unquestionably simple and appropriately fats isnt it you have to favor to in this proclaim encyclopedia of information science and technology fifth edition khosrow pour d b a mehdi 2020

leading on the edge of chaos the 10 critical elements - Jan 08 2023

web leading on the edge of chaos the 10 critical elements for success in volatile times emmett c murphy mark murphy prentice hall press 26 224pp isbn 978

loading interface goodreads - Jan 28 2022

web apr 2 2020 helping people follow the rules that chaos requires to keep them safe while helping them live into their most positive human qualities of connection and

leading on the edge of chaos positive leadership i 2022 - Apr 30 2022

web the leading edge of now the leading edge leading with edge leading at the edge of chaos leading from the edge of possibility the character edge change wars learn or

[leading on the edge of chaos positive leadership i pdf](#) - Jul 02 2022

web leaders on the edge provide the inspiration and the guidance we all need for adapting and thriving in an era of massive disruption and continuous transformation change wars

leadership on the edge of chaos medium - Jun 13 2023

web leadership on the edge of chaos co written with keith johnston by jennifer garvey berger cultivating leadership medium member only story leadership on the edge

biblio leading on the edge of chaos positive leadership in a - Oct 05 2022

web managing at the leading edge will help you learn the critical tasks of leader navigating and piloting that lead to successful business change leadership skills through which

leading at the edge of chaos historical perspectives on - Apr 11 2023

web may 1 2020 building on the contributions of chaos and complexity theories this paper aims to conceptualize how the

leadership of mahatma gandhi martin luther king and

leading on the edge of chaos positive leadership i 2023 - Aug 15 2023

web edge of chaos this edge of chaos a scientific term for that slender territory between frozen predictability and hopeless disorder is a dangerously unstable place learning

leading at the edge of chaos emergent publications - Oct 25 2021

leading on the edge of chaos positive leadership in a volatile - Jul 14 2023

web mar 10 2005 leading on the edge of chaos is a groundbreaking book the leadership strategies outlined inside constitute an integrated leadership architecture of practice and

leading on the edge of chaos positive leadership i jak koke - Mar 30 2022

web discover and share books you love on goodreads

politics latest humza yousaf calls for gaza humanitarian - Dec 27 2021

web the message is that the decision must be taken and resources have to be invested because the alternative is chaos winning the new change game first requires a committed

leading on the edge of chaos positive leadership i 2023 - Feb 09 2023

web leading on the edge of chaos positive leadership i the power of a positive team dec 09 2021 a book about teams to help teams become more positive united and

leading on the edge of chaos a leadership lesson - Dec 07 2022

web jun 15 2002 find the best prices on leading on the edge of chaos positive leadership in a volatile economy by emmett c murphy mark murphy mark murphy

pdf leading at the edge of chaos a review - Nov 06 2022

web the must read summary of daryl conner s book leading at the edge of chaos how to create the nimble organization this complete summary of the ideas from daryl

leading on the edge of chaos positive leadership i 2022 - Feb 26 2022

web oct 17 2023 humza yousaf now takes a dig at labour leader sir keir starmer he says when it comes to values i ve got absolutely no idea what keir starmer stands for the

leadership on the edge of chaos linkedin - Nov 25 2021

web leading on the edge of chaos positive leadership i positive leadership jun 18 2023 this is a guide to positive climate positive relationships positive communication

free leading on the edge of chaos positive leadership i - Mar 10 2023

web leading on the edge of chaos positive leadership i culture and gender in leadership jul 01 2020 the overall aim of this volume is to present the research studies carried out

[leadership on the edge of chaos cultivating leadership](#) - Sep 16 2023

web leading at the edge of chaos means understanding the many ways humans interact with chaos the whole range of those who find themselves more able more helpful more

leadingontheedgeofchaospositiveleadershipi pdf - Jun 01 2022

web leading on the edge of chaos positive leadership i this is likewise one of the factors by obtaining the soft documents of this leading on the edge of chaos positive

[leading on the edge of chaos positive leadership i full pdf](#) - Sep 23 2021

leading at the edge of chaos historical perspectives on the - May 12 2023

web apr 23 2020 abstract purpose building on the contributions of chaos and complexity theories this paper aims to conceptualize how the leadership of mahatma gandhi

leading on the edge of chaos positive leadership i pdf - Aug 03 2022

web leading at the edge of chaos crisis leadership using military lessons organizational experiences and the power of influence to lessen the impact of chaos on the people

leading at the edge of chaos mustreadsummaries com - Sep 04 2022

web jun 14 2023 leading on the edge of chaos positive leadership i 2 10 downloaded from uniport edu ng on june 14 2023 by guest managing complex projects kathleen b hass

11 pertanyaan seputar investasi saham paling sering diajukan - Feb 03 2022

web nov 22 2022 pada soal latihan tersebut terdapat beberapa pertanyaan tentang pasar modal nah kali ini kita akan membahas soal tersebut adjarian pasar modal

seputar pasar modal 5 pertanyaan paling sering diajukan - May 18 2023

web mar 25 2023 ada beberapa jenis jenis pasar modal di indonesia seperti terdiri dari pasar perdana pasar sekunder pasar ketiga dan pasar keempat siapa yang

13 pertanyaan tentang jual beli saham di pasar modal ajaib - Oct 31 2021

10 pertanyaan paling sering ditanyakan pemula - Dec 13 2022

web jul 14 2022 pertanyaan tentang instrumen pasar modal terdapat beberapa pertanyaan tentang instrumen pasar modal yang sifatnya mendasar dan penting untuk diketahui

88 pertanyaan tentang pasar modal beserta jawaban - Jun 19 2023

web jun 5 2022 mudahnya pasar modal bisa diartikan sebagai tempat jual beli instrumen keuangan seperti saham antara para penerbit surat berharga emiten dengan investor

pertanyaan paling sering ditanyakan tentang pasar modal - Jul 20 2023

web jun 3 2020 1 apa itu pasar modal pasar modal adalah tempat terjadinya transaksi atau jual beli instrumen keuangan antara para penerbit surat berharga dengan para investor

jawab soal latihan tentang pasar modal adjar - Sep 29 2021

10 pertanyaan tentang saham yang sering diajukan pemula - Apr 17 2023

web pertanyaan mengenai pasar modal apa pengertian pasar modal apa saja jenis produk pasar modal apa manfaat dari pasar modal apa fungsi pasar modal peta situs

pertanyaan dan jawaban presentasi pasar uang dan modal - Jan 02 2022

web 2 days ago komisi pemberantasan korupsi kpk menetapkan mantan direktur pertamina karen agustiawan sebagai tersangka dalam kasus dugaan korupsi pembelian gas alam

15 pertanyaan tentang pasar modal yang sering - Aug 21 2023

web 41 deskripsikan apa hubungannya pasar modal dan investasi jawaban pasar modal merupakan sarana pendanaan bagi perusahaan maupun institusi lain misalnya

menjawab pertanyaan sulit investor saham - Jul 08 2022

web apr 6 2021 saat mempelajari mata kuliah pasar modal pastinya kalian akan mendapatkan materi mengenai mekanisme perdagangan dimana di materi ini dijelaskan

5 tanya jawab tentang pasar modal yang paling sering muncul - May 06 2022

web pertanyaan dan jawaban presentasi pasar uang dan pasar modal 1 refina maharatri b 19808141053 menurut kelompok kalian mana yang lebih sedangkan pasar modal

88 soal essay pasar modal beserta jawaban balkopites com - Oct 11 2022

web aug 25 2022 adapun pertanyaan tersebut seperti apa itu pasar modal siapa pelaku pasar modal instrumen apa saja yang diperdagangkan serta bagaimana cara

pengertian pasar modal manfaat jenis dan instrumennya - Nov 12 2022

web mar 1 2020 usia pasar modal indonesia sudah lebih dari 40 tahun jika dihitung sejak diaktifkannya kembali yaitu pada tanggal 10 agustus 1977 namun demikian tingkat

pertanyaan tentang pasar modal dan jawabannya beberapa - Dec 01 2021

pertanyaan seputar pasar modal business law - Sep 10 2022

web may 15 2023 dalam artikel ini kita akan membahas beberapa tanya jawab tentang pasar modal yang paling banyak ditanyakan di google tujuan kita adalah untuk menjawab

[pasmob kumpulan tanya jawab persentasi 3 - Apr 05 2022](#)

web jun 6 2023 pertanyaan tentang pasar modal tulisan ini berisi kumpulan contoh pertanyaan tentang pasar modal dengan dua format berupa soal essay esai uraian

3 pertanyaan tentang pasar modal bagi investor pemula - Jun 07 2022

web feb 2 2022 dalam rangka meningkatkan keamanan berinvestasi di pasar modal aset investor dilindungi dengan pembentukan dana perlindungan pemodal oleh indonesia

10 pertanyaan investasi yang umum diajukan - Feb 15 2023

web soal uraian materi pasar modal 1 apa saja peran pasar modal jawaban pasar modal memberikan peluang bagi perusahaan untuk pemenuhan keinginan para pemegang

faq informasi pasar modal indonesia - Jan 14 2023

web pertanyaan seputar pasar modal dari siliana dinda selamat siang pak agus saya dinda salah satu mahasiswi di universitas muhammadiyah malang jadi saya tadi

[pertanyaan tentang instrumen pasar modal investor pemula - Aug 09 2022](#)

web namun dalam hal kebutuhan atas bukti yaitu akta tidak ada perbedaan yang signifikan diantara akta akta terkait transaksi pada pasar modal biasa maupun pada pasar modal

[soal diskusi materi mekanisme perdagangan pasar modal - Mar 04 2022](#)

web apr 6 2022 transaksi beli dan jual saham tak bisa dilakukan langsung di bej sebagai pasar modal di indonesia namun kamu akan bertransaksi melalui perusahaan

[pertanyaan pertanyaan terkait pasar modal di indonesia - Mar 16 2023](#)

web sep 18 2023 pasar modal adalah pasar yang memfasilitasi berbagai sarana dan prasarana kegiatan jual beli berbagai instrumen keuangan jangka panjang seperti

karen agustiawan kpk tetapkan eks dirut pertamina sebagai - Aug 29 2021