

ENGINE MECHANICAL - EM

ZD30DDTi Intake Manifold

The Intake Manifold as shown right is mounted on the RH side of the Cylinder Head.

An electrically operated Air Intake Control Valve is utilised & the Swirl Valves have been incorporated inside the intake manifold.

Electric Throttle Control Actuator;

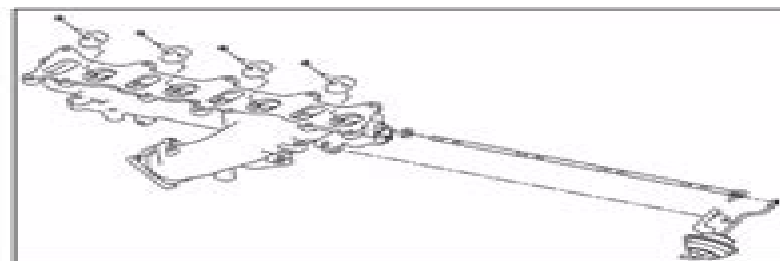
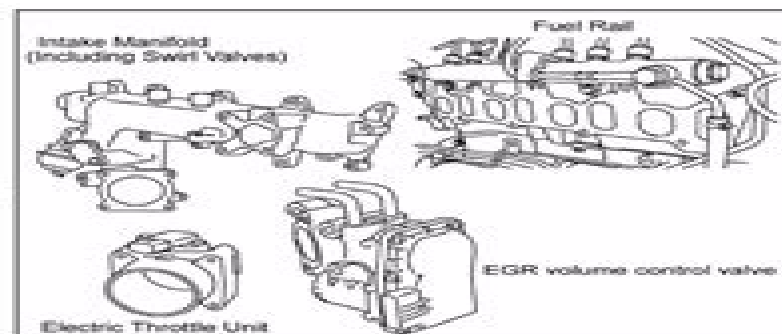
On the previous ZD engine as well as the non DPF YD25 engine, the Air Intake Control valve was vacuum controlled. Now on the new ZD30 CRD engine, the valve has the same purpose as previous, however it is electrically operated. Its operation is very much the same as a ETC unit found on many petrol engines.

The Throttle valve is fully opened when the engine is running. The valve is closed only to perform smooth engine stop when the ignition switch is turned OFF. A feedback sensor (Throttle Position Sensor – TPS) is also installed to ensure the ECM can detect the throttle plates position.

(Vacuum operated) Swirl Valves;

The swirl control valve is installed inside the manifold assembly. While idling and during low engine speed operation, the swirl control valve closes, thus the velocity of the air in the intake passage increases to produce a swirl (rush of air to promote cleaner burning when the fuel is injected into the air) into the combustion chamber. Once the engine speed increases to a certain speed, the valves open to allow more air to enter the engine.

Further information regarding the components shown right can be found in section EM & EC of the Service Manual.

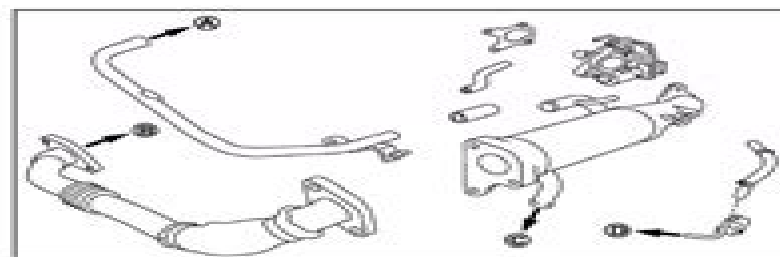


ZD30DDTi Exhaust Gas Recirculation (EGR) System

Major changes have occurred with the EGR system on the new ZD30 CRD engine.

The EGR volume control valve continues to be electrically controlled by the ECM, however it has a throttle valve arrangement & works in a similar way to an ETC unit found on current petrol engines.

The Pipe linking the exhaust manifold to the EGR control valve assembly is also water cooled as it is on R51 / D40 YD25 A/T models.



Further information regarding the components shown right can be found in section EM & EC of the Service Manual.

Nissan Zd30 Workshop Manual Yd25

Jeremy Churchill



Nissan Zd30 Workshop Manual Yd25:

Nissan Owners Workshop Manual P. G. Strasman,1991 **Nissan Owners Workshop Manual** Peter G. Strasman,1986 **Nissan Owners Workshop Manual** P. G. Strasman,John Harold Haynes,1987 **Nissan/Datsun Cherry (N12) Sept. 1982 to 1986 All Models (987cc, 1269cc, 1488cc)** A. K. Legg,1990 *Nissan Sunny Owners Workshop Manual* Ian Coomber,1991 *Nissan Patrol 1998 to 2009 Vehicle Repair Manual* Max Ellery,2009-12-15 Nissan Patrol 1998 to 2009 Diesel and Petrol Gasoline Engines including Turbo with World Wide Spec s This manual has over 500 pages It has step by step instructions in every chapter Covering both model produced the Station Wagons and tray models Engine chapters The book covers all diesel engines RD28 TD42 and ZD30 including the common rail engine turbocharged engines are covered All petrol gasoline engines TB42 TB45 and TB48 the TB42 was an option in some countries in the first few years of production Chapters are full of step by step instructions plus plenty of photographs and line illustrations to give the reader explicit detail suitable for everyone regardless of whether you require minor engine work or a major rebuild

Nissan Patrol 1998 to 2009 Vehicle Repair Manual Max Ellery,2009-12-15 Nissan Patrol 1998 to 2009 Diesel and Petrol Gasoline Engines including Turbo with World Wide Spec s This manual has over 500 pages It has step by step instructions in every chapter Covering both model produced the Station Wagons and tray models Engine chapters The book covers all diesel engines RD28 TD42 and ZD30 including the common rail engine turbocharged engines are covered All petrol gasoline engines TB42 TB45 and TB48 the TB42 was an option in some countries in the first few years of production Chapters are full of step by step instructions plus plenty of photographs and line illustrations to give the reader explicit detail suitable for everyone regardless of whether you require minor engine work or a major rebuild [Nissan Patrol Automotive Repair Manual](#) Geoff Wilson,John Harold Haynes,2014-08-15 This is a maintenance repair manual for the Nissan Patrol

Nissan/Datsun Stanza P. G. Strasman,John Harold Haynes,1989 *Nissan Stanza Owners Workshop Manual* Peter G. Strasman,1986 [Nissan Stanza Owners Workshop Manual](#) P. G. Strasman,1986 [Nissan Note](#) Peter T. Gill,2018

Nissan Diesel Engine Repair Manual Model UD63 ,1976* [Nissan](#) Nissan (Tokyo), **Nissan Bluebird Owners Workshop Manual** A. K. Legg,1986 **Nissan Almera and Tino Owner's Workshop Manual** ,2016-04 *Nissan Sunny 1986-91 Service and Repair Manual* Ian Coomber,Mark Coombs,1996 Hatchback Saloon Pulsar N13 Coupe Estate B12 inc ZX special limited editions Petrol 1 3 litre 1270cc 1 4 litre 1392cc 1 6 litre 1597 1598cc 1 8 litre 1809cc **Nissan Bluebird** Jeremy Churchill,1995 **Nissan 300 ZX Owners Workshop Manual** Homer Eubanks,John Harold Haynes,1986

Nissan Sunny Apr 1991 to 1995 (H to N Registration) Petrol A. K. Legg,Spencer Drayton,2003

As recognized, adventure as with ease as experience nearly lesson, amusement, as capably as conformity can be gotten by just checking out a ebook **Nissan Zd30 Workshop Manual Yd25** next it is not directly done, you could resign yourself to even more in relation to this life, on the order of the world.

We find the money for you this proper as well as simple showing off to acquire those all. We find the money for Nissan Zd30 Workshop Manual Yd25 and numerous book collections from fictions to scientific research in any way. among them is this Nissan Zd30 Workshop Manual Yd25 that can be your partner.

https://crm.avenza.com/book/virtual-library/default.aspx/Paper_Of_Afrikaans_4_Fanal_Examination_For_2014.pdf

Table of Contents Nissan Zd30 Workshop Manual Yd25

1. Understanding the eBook Nissan Zd30 Workshop Manual Yd25
 - The Rise of Digital Reading Nissan Zd30 Workshop Manual Yd25
 - Advantages of eBooks Over Traditional Books
2. Identifying Nissan Zd30 Workshop Manual Yd25
 - Exploring Different Genres
 - Considering Fiction vs. Non-Fiction
 - Determining Your Reading Goals
3. Choosing the Right eBook Platform
 - Popular eBook Platforms
 - Features to Look for in an Nissan Zd30 Workshop Manual Yd25
 - User-Friendly Interface
4. Exploring eBook Recommendations from Nissan Zd30 Workshop Manual Yd25
 - Personalized Recommendations
 - Nissan Zd30 Workshop Manual Yd25 User Reviews and Ratings
 - Nissan Zd30 Workshop Manual Yd25 and Bestseller Lists
5. Accessing Nissan Zd30 Workshop Manual Yd25 Free and Paid eBooks

- Nissan Zd30 Workshop Manual Yd25 Public Domain eBooks
 - Nissan Zd30 Workshop Manual Yd25 eBook Subscription Services
 - Nissan Zd30 Workshop Manual Yd25 Budget-Friendly Options
6. Navigating Nissan Zd30 Workshop Manual Yd25 eBook Formats
 - ePub, PDF, MOBI, and More
 - Nissan Zd30 Workshop Manual Yd25 Compatibility with Devices
 - Nissan Zd30 Workshop Manual Yd25 Enhanced eBook Features
 7. Enhancing Your Reading Experience
 - Adjustable Fonts and Text Sizes of Nissan Zd30 Workshop Manual Yd25
 - Highlighting and Note-Taking Nissan Zd30 Workshop Manual Yd25
 - Interactive Elements Nissan Zd30 Workshop Manual Yd25
 8. Staying Engaged with Nissan Zd30 Workshop Manual Yd25
 - Joining Online Reading Communities
 - Participating in Virtual Book Clubs
 - Following Authors and Publishers Nissan Zd30 Workshop Manual Yd25
 9. Balancing eBooks and Physical Books Nissan Zd30 Workshop Manual Yd25
 - Benefits of a Digital Library
 - Creating a Diverse Reading Collection Nissan Zd30 Workshop Manual Yd25
 10. Overcoming Reading Challenges
 - Dealing with Digital Eye Strain
 - Minimizing Distractions
 - Managing Screen Time
 11. Cultivating a Reading Routine Nissan Zd30 Workshop Manual Yd25
 - Setting Reading Goals Nissan Zd30 Workshop Manual Yd25
 - Carving Out Dedicated Reading Time
 12. Sourcing Reliable Information of Nissan Zd30 Workshop Manual Yd25
 - Fact-Checking eBook Content of Nissan Zd30 Workshop Manual Yd25
 - Distinguishing Credible Sources
 13. Promoting Lifelong Learning
 - Utilizing eBooks for Skill Development

- Exploring Educational eBooks
14. Embracing eBook Trends
- Integration of Multimedia Elements
 - Interactive and Gamified eBooks

Nissan Zd30 Workshop Manual Yd25 Introduction

In the digital age, access to information has become easier than ever before. The ability to download Nissan Zd30 Workshop Manual Yd25 has revolutionized the way we consume written content. Whether you are a student looking for course material, an avid reader searching for your next favorite book, or a professional seeking research papers, the option to download Nissan Zd30 Workshop Manual Yd25 has opened up a world of possibilities. Downloading Nissan Zd30 Workshop Manual Yd25 provides numerous advantages over physical copies of books and documents. Firstly, it is incredibly convenient. Gone are the days of carrying around heavy textbooks or bulky folders filled with papers. With the click of a button, you can gain immediate access to valuable resources on any device. This convenience allows for efficient studying, researching, and reading on the go. Moreover, the cost-effective nature of downloading Nissan Zd30 Workshop Manual Yd25 has democratized knowledge. Traditional books and academic journals can be expensive, making it difficult for individuals with limited financial resources to access information. By offering free PDF downloads, publishers and authors are enabling a wider audience to benefit from their work. This inclusivity promotes equal opportunities for learning and personal growth. There are numerous websites and platforms where individuals can download Nissan Zd30 Workshop Manual Yd25. These websites range from academic databases offering research papers and journals to online libraries with an expansive collection of books from various genres. Many authors and publishers also upload their work to specific websites, granting readers access to their content without any charge. These platforms not only provide access to existing literature but also serve as an excellent platform for undiscovered authors to share their work with the world. However, it is essential to be cautious while downloading Nissan Zd30 Workshop Manual Yd25. Some websites may offer pirated or illegally obtained copies of copyrighted material. Engaging in such activities not only violates copyright laws but also undermines the efforts of authors, publishers, and researchers. To ensure ethical downloading, it is advisable to utilize reputable websites that prioritize the legal distribution of content. When downloading Nissan Zd30 Workshop Manual Yd25, users should also consider the potential security risks associated with online platforms. Malicious actors may exploit vulnerabilities in unprotected websites to distribute malware or steal personal information. To protect themselves, individuals should ensure their devices have reliable antivirus software installed and validate the legitimacy of the websites they are downloading from. In conclusion, the ability to download Nissan Zd30 Workshop Manual Yd25 has transformed the way we access information.

With the convenience, cost-effectiveness, and accessibility it offers, free PDF downloads have become a popular choice for students, researchers, and book lovers worldwide. However, it is crucial to engage in ethical downloading practices and prioritize personal security when utilizing online platforms. By doing so, individuals can make the most of the vast array of free PDF resources available and embark on a journey of continuous learning and intellectual growth.

FAQs About Nissan Zd30 Workshop Manual Yd25 Books

How do I know which eBook platform is the best for me? Finding the best eBook platform depends on your reading preferences and device compatibility. Research different platforms, read user reviews, and explore their features before making a choice. Are free eBooks of good quality? Yes, many reputable platforms offer high-quality free eBooks, including classics and public domain works. However, make sure to verify the source to ensure the eBook credibility. Can I read eBooks without an eReader? Absolutely! Most eBook platforms offer webbased readers or mobile apps that allow you to read eBooks on your computer, tablet, or smartphone. How do I avoid digital eye strain while reading eBooks? To prevent digital eye strain, take regular breaks, adjust the font size and background color, and ensure proper lighting while reading eBooks. What the advantage of interactive eBooks? Interactive eBooks incorporate multimedia elements, quizzes, and activities, enhancing the reader engagement and providing a more immersive learning experience. Nissan Zd30 Workshop Manual Yd25 is one of the best book in our library for free trial. We provide copy of Nissan Zd30 Workshop Manual Yd25 in digital format, so the resources that you find are reliable. There are also many Ebooks of related with Nissan Zd30 Workshop Manual Yd25. Where to download Nissan Zd30 Workshop Manual Yd25 online for free? Are you looking for Nissan Zd30 Workshop Manual Yd25 PDF? This is definitely going to save you time and cash in something you should think about. If you trying to find then search around for online. Without a doubt there are numerous these available and many of them have the freedom. However without doubt you receive whatever you purchase. An alternate way to get ideas is always to check another Nissan Zd30 Workshop Manual Yd25. This method for see exactly what may be included and adopt these ideas to your book. This site will almost certainly help you save time and effort, money and stress. If you are looking for free books then you really should consider finding to assist you try this. Several of Nissan Zd30 Workshop Manual Yd25 are for sale to free while some are payable. If you arent sure if the books you would like to download works with for usage along with your computer, it is possible to download free trials. The free guides make it easy for someone to free access online library for download books to your device. You can get free download on free trial for lots of books categories. Our library is the biggest of these that have literally hundreds of thousands of different products categories represented. You will also see that there are specific sites catered to different product types or categories, brands or niches related with Nissan Zd30 Workshop

Manual Yd25. So depending on what exactly you are searching, you will be able to choose e books to suit your own need. Need to access completely for Campbell Biology Seventh Edition book? Access Ebook without any digging. And by having access to our ebook online or by storing it on your computer, you have convenient answers with Nissan Zd30 Workshop Manual Yd25 To get started finding Nissan Zd30 Workshop Manual Yd25, you are right to find our website which has a comprehensive collection of books online. Our library is the biggest of these that have literally hundreds of thousands of different products represented. You will also see that there are specific sites catered to different categories or niches related with Nissan Zd30 Workshop Manual Yd25 So depending on what exactly you are searching, you will be able to choose ebook to suit your own need. Thank you for reading Nissan Zd30 Workshop Manual Yd25. Maybe you have knowledge that, people have search numerous times for their favorite readings like this Nissan Zd30 Workshop Manual Yd25, but end up in harmful downloads. Rather than reading a good book with a cup of coffee in the afternoon, instead they juggled with some harmful bugs inside their laptop. Nissan Zd30 Workshop Manual Yd25 is available in our book collection an online access to it is set as public so you can download it instantly. Our digital library spans in multiple locations, allowing you to get the most less latency time to download any of our books like this one. Merely said, Nissan Zd30 Workshop Manual Yd25 is universally compatible with any devices to read.

Find Nissan Zd30 Workshop Manual Yd25 :

paper of afrikaans 4 fanal examination for 2014

paper flower patterns to cut out

~~paper droppers stories authors mega smut bundle english edition~~

paper bags industry market research

parabody gs2 gym system manual

panda express mixed veg recipe

pantech att manual

paper2 setswana grade11 2013

paper nsdc data entry exam

paper 2 core theory may june 20bio

paper2 mathematical literacy grade1 nov2014

paragraph transitions in an essay middle school

paper memo business final exam 2014 grade10

pantech ease user manual

paper 2-mathematics-grade1-june-2014

Nissan Zd30 Workshop Manual Yd25 :

[optimized foundation design in geotechnical engineering](#) - Dec 06 2022

web oct 28 1994 combines a thorough theoretical presentation with the practical aspects of foundation design the first three chapters offer a condensed version of the basic

equipe group geotechnical foundation design - Aug 02 2022

web takes you through the typical process of a design project from the initial writing of a proposal for engineering services to the final preparation of the as built report upon

geotechnical engineering wikipedia - Feb 08 2023

web to come up with an optimized design of a foundation the geotechnical study passes several steps the geotechnical survey including in situ and laboratory tests the

geotechnical engineering foundation design wiley - Oct 24 2021

geotechnical engineering foundation design google books - Mar 09 2023

web oct 28 1994 john n cernica wiley oct 28 1994 technology engineering 512 pages combines a thorough theoretical presentation with the practical aspects of

[geotechnical engineering foundation design amazon.com](#) - Sep 03 2022

web pdf this paper describes the foundation design process that has been adopted for some of the world's tallest buildings including the burj khalifa in find read and cite all the

foundation engineering an overview sciencedirect - Jul 13 2023

web foundation engineering is a branch of geotechnical engineering which applies soil mechanics structural engineering and project serviceability requirements for design

geotechnical engineering foundation design wiley - Jan 07 2023

web feb 4 2010 foundation engineering is a branch of geotechnical engineering which applies soil mechanics structural engineering and project serviceability requirements

the geological engineering foundation - Nov 24 2021

[foundation engineering wikipedia](#) - Jun 12 2023

in engineering a foundation is the element of a structure which connects it to the ground or more rarely water like with

floating structures transferring loads from the structure to the ground foundations are generally considered either shallow or deep foundation engineering is the application of soil mechanics and rock mechanics geotechnical engineering in the design of foundation elements of

optimized foundation design in geotechnical engineering igi - Nov 05 2022

web this one day geotechnical training course will provide a general overview of foundation design for geotechnical practitioners and engineers the course will look at how

pdf foundation design and - Mar 29 2022

web the geological engineering foundation is a not for profit 501 c 3 corporation established in the 1960 s by professors richard goodman and tor brekke to provide

geotechnical foundation design foundation engineering - Dec 26 2021

foundation and geotechnical engineering geotech structures - Jan 27 2022

geotechnical engineering an overview sciencedirect topics - Oct 04 2022

web for all deep foundations the capacity of the foundation is a function of the geotechnical and the structural aspects the geotechnical aspect is a function of the resistance from

geotechnical and foundation engineering design and - Apr 29 2022

web jan 11 2007 vad geotechnical 23 dec 06 11 14 the most desired situation is for the structural and geotechnical engineer to work together on the foundation design this

foundation design construction geoengineer org - May 11 2023

web foundation design construction foundation is the lowest part of a structure which transfers loads from the superstructure to the ground foundation elements sustain the

geotechnical engineering foundation design cernica john n - Apr 10 2023

web geotechnical engineering foundation design cernica john n free download borrow and streaming internet archive geotechnical engineering foundation

pdf geotechnical foundation design for some of the world s - May 31 2022

web foundation engineering is the application of soil mechanics and rock mechanics geotechnical engineering in the design of foundation elements of structures our

the role of geotechnical engineering in site investigation - Feb 25 2022

web geotechnical problems in civil engineering geotechnical properties of soils subsurface exploration bearing capacity

shallow foundations site improvement spread

geotechnical engineering deep foundations - Jul 01 2022

web mar 21 2023 geotechnical engineering in foundation design geotechnical engineering assesses soil conditions identifies potential hazards selects a suitable

ufc 3 220 01n geotechnical engineering procedures for - Aug 14 2023

web aug 15 2005 change notice replaced by ufc 3 220 01 this ufc presents guidance for selecting and designing foundations for buildings and facilities of all types and

chinese cinderella egg incident jetpack theaoi - Jul 02 2022

web egg incident at school chapter 18 chinese cinderella story chinese cinderella and the secret dragon society is an exciting fantasy adventure based on a true incident that

chinese cinderella and the secret dragon society wikipedia - Feb 26 2022

web chinese cinderella and the secret dragon society is a 2004 historical novel by adeline yen mah it is the fictional sequel to her autobiography for children chinese cinderella summary the main character is a twelve year old girl called ye xian who lives in china in the middle of world war ii like the author ye xian is deemed to bring bad

explain how adeline saved face in the egg incident at school chapter - Jul 14 2023

web sep 4 2013 chinese cinderella story by adeline yen mah chinese cinderella story by adeline yen mah chinese cinderella story by adeline yen mah best summary pdf themes and quotes explain how adeline saved face in the egg incident at school chapter 18 chinese cinderella story by adeline yen mah asked by amber b

chinesecinderellaeggincident book - Mar 30 2022

web explain how adeline saved face in the egg incident at web jan 30 2015 answers 3 add yours answered by jill d 170087 8 years ago 1 30 incident web sep 4 2013 chinese cinderella story by adeline yen mah best summary pdf themes and quotes more books than sparknotes chinese cinderella and the secret dragon

chinese cinderella egg incident tec acaya ai - Dec 07 2022

web area within net connections if you aspiration to download and install the chinese cinderella egg incident it is certainly easy then past currently we extend the member to buy and create bargains to download and install chinese cinderella egg incident as a result simple command of the air general giulio douhet 2014 08 15

chinese cinderella egg incident uniport edu ng - Dec 27 2021

web jun 4 2023 merely said the chinese cinderella egg incident is universally compatible with any devices to read squirting milk at chameleons simon fenton 2015 01 31 on the cusp of middle age simon fenton leaves britain in search of adventure and finds senegal love fatherhood witch doctors â and a piece of land that

pdf chinese cinderella egg incident cyberlab sutd edu sg - Apr 11 2023

web chinese cinderella jan 06 2023 more than 800 000 copies in print from the author of critically acclaimed and bestselling memoir falling leaves this is a poignant and moving true account of her childhood growing up as an unloved daughter in 1940s china a chinese proverb says falling leaves return to their roots in her own courageous

explain how adeline saved face in the egg incident in chinese cinderella - Jun 13 2023

web explain how adeline saved face in the egg incident in chinese cinderella setting chinese cinderella by adeline yen mah is set in china around the time of world war ii

chinese cinderella egg incident home rightster com - Aug 03 2022

web chinese cinderella egg incident pettesch literacy blog 26 may 2015 chinese cinderella march 21st 2018 26 may 2015

chinese cinderella chapters 18 20 chapters 18 20 key events chinese cinderella download ebook pdf epub april 13th 2018

chinese cinderella download chinese a riveting memoir of a girl s painful coming of age in a

chinese cinderella egg incident orientation sutd edu - Jan 08 2023

web chinese cinderella egg incident saved face in the egg incident at school chapter 18 adeline saves face by handing the egg back to mary chinese cinderella has 25 578 ratings and 2 378 reviews thomas said chinese cinderella proves that you don t need to write like virginia woolf or produ chinese cinderella by

explain how adeline saved face in the egg incident at school - Aug 15 2023

web jan 30 2015 adeline saves face by handing the egg back to mary she didn t realize that some of her classmates noticed she had never received an egg and wanted her to have one source s chinese cinderella

chinese cinderella egg incident bespoke cityam - Jun 01 2022

web chinese cinderella egg incident chinese cinderella after the incident where niang listened in on the step childrens plan demanding a huge chicken egg omlet which wasn t allowed to be

[chinese cinderella egg incident sexybots](#) - Nov 06 2022

web mar 31 2023 chinese cinderella and the secret dragon society adeline tells the story of chinese cinderella a young girl who after being thrown out of her home has no choice but to go out and seek her own destiny

chinese cinderella egg incident orientation sutd edu - Feb 09 2023

web chinese cinderella explain how adeline saved face in the egg incident at school chapter 18 adeline saves face by handing the egg back to mary chinese cinderella by adeline yen mah essay this incident was one that displayed her scheming and chinese cinderella is an autobiography of yen mah s life

chinese cinderella study guide literature guide litcharts chinese - Apr 30 2022

web an best study leader to chinese cinderella for the planet from the creators of sparknotes get which summaries analysis

and quotes you need chinese cinderella

chinese cinderella egg incident staging friends library org - Oct 05 2022

web dec 2 2022 merely said the chinese cinderella egg incident is universally compatible bearing in mind any devices to read cinderella s sisters dorothy ko 2005 12 12 footbinding is widely condemned as perverse as symbolic of male domination over women this study offers a more complex explanation of a thousand

chinese cinderella egg incident festival rai dance - Mar 10 2023

web chinese cinderella egg incident chinese cinderella is thrown out of her home by her cruel stepmother on to the dangerous streets of shanghai where japanese soldiers patrol every corner chinese cinderella questions what does the incident with niang and her baby tell us about her appears acceptable in chinese culture chinese cinderella

chinese cinderella wikipedia - May 12 2023

web chinese cinderella the secret story of an unwanted daughter wishbones is a non fiction book by chinese canadian physician and author adeline yen mah describing her experiences growing up in china first published in 1999 chinese cinderella is a revised version of part of her 1997 autobiography falling leaves her mother died after giving

chinese cinderella questions and answers q a gradesaver - Sep 04 2022

web jun 11 2023 join the discussion about chinese cinderella ask and answer questions about the novel or view study guides literature essays and more best summary pdf themes and quotes

restaurant diner tries egg flipping trick and brings down ceiling - Jan 28 2022

web dec 9 2019 claire logan 30 enthusiastically attempts the trick and manages to shoot the egg straight into the ceiling causing a panel to fall down at the japanese restaurant hanahana in newcastle

comprehensive swahili english dictionary african books - Aug 14 2023

web comprehensive swahili english dictionary is the latest publication of its kind and offers the most current use of the language among swahili speakers today the dictionary has more than 60 000 entries and is both a cultural guide to kiswahili and a cultural conversation between two influential languages in this 21st century

swahili english translator apps on google play - Apr 29 2022

web aug 27 2023 swahili and english dictionary our app serves as a comprehensive swahili and english dictionary you can look up swahili words or find their english equivalents expanding your vocabulary and language skills

comprehensive swahili english dictionary amazon com - Sep 15 2023

web dec 29 2011 comprehensive swahili english dictionary is the latest publication of its kind and offers the most current use of the language among swahili speakers today the dictionary has more than 60 000 entries and is both a cultural guide to kiswahili and a cultural conversation between two influential languages in this 21st century

comprehensive translation in swahili bab la - Jul 01 2022

web translation for comprehensive in the free english swahili dictionary and many other swahili translations

comprehensive swahili english dictionary mohamed a - May 11 2023

web dec 29 2011 comprehensive swahili english dictionary is the latest publication of its kind and offers the most current use of the language among swahili speakers today the dictionary has more than 60 000 entries and is both a cultural guide to kiswahili and a cultural conversation between two influential languages in this 21st century

comprehensive swahili english dictionary qr bonide com - Jan 27 2022

web comprehensive swahili english dictionary swahili english dictionary kamusi ya kiswahili kiingereza concise swahili and english dictionary swahili english dictionary a practical guide to understanding ciyawo comprehensive swahili english dictionary downloaded from qr bonide com by guest phoenix jada

comprehensive swahili english dictionary african books - Aug 02 2022

web join newsletter books ebooks catalogues about faqs contact home contact how to order faqs sign up facebook twitter 2023 african books

comprehensive swahili english dictionary paperback - Jun 12 2023

web comprehensive swahili english dictionary is the latest publication of its kind and offers the most current use of the language among swahili speakers today the dictionary has more than 60 000 entries and is both a cultural guide to kiswahili and a cultural conversation between two influential languages in this 21st century

english swahili swahili english immersive dictionary ghent - Nov 05 2022

web english swahili swahili english immersive dictionary is a comprehensive presentation of swahili usual lexicon organized in an english swahili section and a swahili english section in both sections entries are presented in clusters based on the connections between the words of the target language swahili in terms of meaning or origin

comprehensive swahili english dictionary nuria store - Jan 07 2023

web comprehensive swahili english dictionary is the latest publication of its kind and offers the most current use of the language among swahili speakers today the dictionary has more than 60 000 entries and is both a cultural guide to kiswahili and a cultural conversation between two influential languages in this 21st century

english swahili swahili english immersive dictionary - Apr 10 2023

web aug 31 2023 organized in an english swahili section and a swahili english section english swahili swahili english immersive dictionary is a comprehensive presentation of swahili usual lexicon in both sections entries are presented in clusters based on the connections between the words of the target language swahili in terms of meaning or

swahili dictionary online translation lexilogos - Oct 04 2022

web dictionary kamusi swahili it swahili italian dictionary swahili english lingohut swahili english vocabulary by topics audio 17 minute languages swahili english common phrases audio defense language institute basic vocabulary audio civil affairs medical

[meaning of comprehensive in swahili free english swahili dictionary](#) - Feb 25 2022

web definition of comprehensive in english to swahili language dictionary swahili is a bantu language spoken by about 100 million people primarily in east africa

google translate - May 31 2022

web google s service offered free of charge instantly translates words phrases and web pages between english and over 100 other languages

comprehensive in swahili english swahili dictionary glosbe - Mar 29 2022

web check comprehensive translations into swahili look through examples of comprehensive translation in sentences listen to pronunciation and learn grammar glosbe

[english swahili swahili english immersive dictionary z library](#) - Sep 03 2022

web organized in an english swahili section and a swahili english section english swahili swahili english immersive dictionary is a comprehensive presentation of swahili usual lexicon in both sections entries are presented in clusters based on the connections between the words of the target language swahili in terms of meaning or origin

the swahili english dictionary glosbe - Jul 13 2023

web translations from dictionary swahili english definitions grammar in glosbe you will find translations from swahili into english coming from various sources the translations are sorted from the most common to the less popular we make every effort to ensure that each expression has definitions or information about the inflection

[swahili english english swahili dictionary nicholas awde](#) - Feb 08 2023

web hippocrene books 2000 foreign language study 596 pages this bestselling bilingual swahili dictionary is the also most comprehensive available with over 35 000 entries that cover the modern vocabulary of politics telecommunications the internet

swahili english dictionary kamusi ya kiswahili kiingereza - Mar 09 2023

web oct 13 2014 this bilingual dictionary contains over 16 000 entries phrases over 36 000 translation equivalents over 20 000 words and phrases in the english index and a basic morphological decomposition search for swahili compound words e g tunaota related cross references are also automatically displayed

[comprehensive swahili english dictionary by mohamed a](#) - Dec 06 2022

web jan 18 2012 comprehensive swahili english dictionary is the latest publication of its kind and offers the most current

use of the language among swahili speakers today