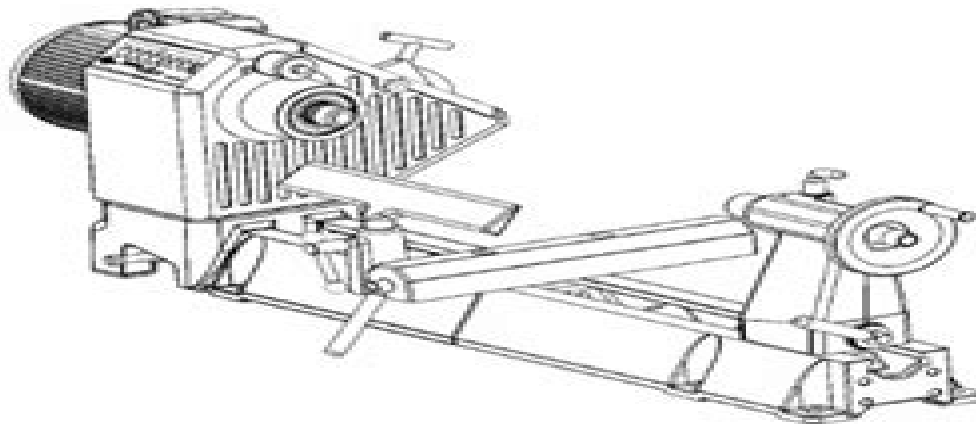


NOVA 1624 II TM WOODLATHE



Smart Tools Powerful Solutions
www.teknatool.com



IMPORTANT Please Note:

Your new NOVA 1624 II Woodlathe comes with additional safety feature, and is fitted with an emergency stop button on the motor.

This button is for "Emergencies" only. The machine will coast to a stop if this button is pushed in. Important: Once this Emergency stop button is pushed, you must release into the "OUT" position before you can use the lathe again. You must twist to release it into the OUT position before you can turn on the lathe.

- Use the regular STOP button if you want the lathe to come to a stop.
- To turn the machine on and off, use the on/off switch on the motor.

Nova 1624 Manual

Christian G. Meyer



Nova 1624 Manual:

This is likewise one of the factors by obtaining the soft documents of this **Nova 1624 Manual** by online. You might not require more era to spend to go to the book launch as without difficulty as search for them. In some cases, you likewise realize not discover the declaration Nova 1624 Manual that you are looking for. It will unconditionally squander the time.

However below, similar to you visit this web page, it will be so utterly simple to get as with ease as download lead Nova 1624 Manual

It will not say yes many become old as we explain before. You can do it while statute something else at home and even in your workplace. suitably easy! So, are you question? Just exercise just what we offer under as competently as evaluation **Nova 1624 Manual** what you next to read!

https://crm.avenza.com/data/virtual-library/HomePages/Reset_Prius_Maintenance_Required_Light.pdf

Table of Contents Nova 1624 Manual

1. Understanding the eBook Nova 1624 Manual
 - The Rise of Digital Reading Nova 1624 Manual
 - Advantages of eBooks Over Traditional Books
2. Identifying Nova 1624 Manual
 - Exploring Different Genres
 - Considering Fiction vs. Non-Fiction
 - Determining Your Reading Goals
3. Choosing the Right eBook Platform
 - Popular eBook Platforms
 - Features to Look for in an Nova 1624 Manual
 - User-Friendly Interface
4. Exploring eBook Recommendations from Nova 1624 Manual
 - Personalized Recommendations

- Nova 1624 Manual User Reviews and Ratings
- Nova 1624 Manual and Bestseller Lists
- 5. Accessing Nova 1624 Manual Free and Paid eBooks
 - Nova 1624 Manual Public Domain eBooks
 - Nova 1624 Manual eBook Subscription Services
 - Nova 1624 Manual Budget-Friendly Options
- 6. Navigating Nova 1624 Manual eBook Formats
 - ePub, PDF, MOBI, and More
 - Nova 1624 Manual Compatibility with Devices
 - Nova 1624 Manual Enhanced eBook Features
- 7. Enhancing Your Reading Experience
 - Adjustable Fonts and Text Sizes of Nova 1624 Manual
 - Highlighting and Note-Taking Nova 1624 Manual
 - Interactive Elements Nova 1624 Manual
- 8. Staying Engaged with Nova 1624 Manual
 - Joining Online Reading Communities
 - Participating in Virtual Book Clubs
 - Following Authors and Publishers Nova 1624 Manual
- 9. Balancing eBooks and Physical Books Nova 1624 Manual
 - Benefits of a Digital Library
 - Creating a Diverse Reading Collection Nova 1624 Manual
- 10. Overcoming Reading Challenges
 - Dealing with Digital Eye Strain
 - Minimizing Distractions
 - Managing Screen Time
- 11. Cultivating a Reading Routine Nova 1624 Manual
 - Setting Reading Goals Nova 1624 Manual
 - Carving Out Dedicated Reading Time
- 12. Sourcing Reliable Information of Nova 1624 Manual
 - Fact-Checking eBook Content of Nova 1624 Manual

- Distinguishing Credible Sources
13. Promoting Lifelong Learning
 - Utilizing eBooks for Skill Development
 - Exploring Educational eBooks
 14. Embracing eBook Trends
 - Integration of Multimedia Elements
 - Interactive and Gamified eBooks

Nova 1624 Manual Introduction

In this digital age, the convenience of accessing information at our fingertips has become a necessity. Whether its research papers, eBooks, or user manuals, PDF files have become the preferred format for sharing and reading documents. However, the cost associated with purchasing PDF files can sometimes be a barrier for many individuals and organizations. Thankfully, there are numerous websites and platforms that allow users to download free PDF files legally. In this article, we will explore some of the best platforms to download free PDFs. One of the most popular platforms to download free PDF files is Project Gutenberg. This online library offers over 60,000 free eBooks that are in the public domain. From classic literature to historical documents, Project Gutenberg provides a wide range of PDF files that can be downloaded and enjoyed on various devices. The website is user-friendly and allows users to search for specific titles or browse through different categories. Another reliable platform for downloading Nova 1624 Manual free PDF files is Open Library. With its vast collection of over 1 million eBooks, Open Library has something for every reader. The website offers a seamless experience by providing options to borrow or download PDF files. Users simply need to create a free account to access this treasure trove of knowledge. Open Library also allows users to contribute by uploading and sharing their own PDF files, making it a collaborative platform for book enthusiasts. For those interested in academic resources, there are websites dedicated to providing free PDFs of research papers and scientific articles. One such website is Academia.edu, which allows researchers and scholars to share their work with a global audience. Users can download PDF files of research papers, theses, and dissertations covering a wide range of subjects. Academia.edu also provides a platform for discussions and networking within the academic community. When it comes to downloading Nova 1624 Manual free PDF files of magazines, brochures, and catalogs, Issuu is a popular choice. This digital publishing platform hosts a vast collection of publications from around the world. Users can search for specific titles or explore various categories and genres. Issuu offers a seamless reading experience with its user-friendly interface and allows users to download PDF files for offline reading. Apart from dedicated platforms, search engines also play a crucial role in finding free PDF files. Google, for instance, has an advanced search feature that allows users to

filter results by file type. By specifying the file type as "PDF," users can find websites that offer free PDF downloads on a specific topic. While downloading Nova 1624 Manual free PDF files is convenient, it's important to note that copyright laws must be respected. Always ensure that the PDF files you download are legally available for free. Many authors and publishers voluntarily provide free PDF versions of their work, but it's essential to be cautious and verify the authenticity of the source before downloading Nova 1624 Manual. In conclusion, the internet offers numerous platforms and websites that allow users to download free PDF files legally. Whether it's classic literature, research papers, or magazines, there is something for everyone. The platforms mentioned in this article, such as Project Gutenberg, Open Library, Academia.edu, and Issuu, provide access to a vast collection of PDF files. However, users should always be cautious and verify the legality of the source before downloading Nova 1624 Manual any PDF files. With these platforms, the world of PDF downloads is just a click away.

FAQs About Nova 1624 Manual Books

How do I know which eBook platform is the best for me? Finding the best eBook platform depends on your reading preferences and device compatibility. Research different platforms, read user reviews, and explore their features before making a choice. Are free eBooks of good quality? Yes, many reputable platforms offer high-quality free eBooks, including classics and public domain works. However, make sure to verify the source to ensure the eBook credibility. Can I read eBooks without an eReader? Absolutely! Most eBook platforms offer web-based readers or mobile apps that allow you to read eBooks on your computer, tablet, or smartphone. How do I avoid digital eye strain while reading eBooks? To prevent digital eye strain, take regular breaks, adjust the font size and background color, and ensure proper lighting while reading eBooks. What the advantage of interactive eBooks? Interactive eBooks incorporate multimedia elements, quizzes, and activities, enhancing the reader engagement and providing a more immersive learning experience. Nova 1624 Manual is one of the best book in our library for free trial. We provide copy of Nova 1624 Manual in digital format, so the resources that you find are reliable. There are also many Ebooks of related with Nova 1624 Manual. Where to download Nova 1624 Manual online for free? Are you looking for Nova 1624 Manual PDF? This is definitely going to save you time and cash in something you should think about.

Find Nova 1624 Manual :

~~reset prius maintenance required light~~
residential cleaning service training manual

research paper about career choices

reset off maintenance light on 2007 volvo v70

research paper on physical education

resignation letter from trainee engineering

resident evil 1 official strategy guide

research paper outline template

reproducible hamlet objective test answers

research methods for business students 6th

reserve overnight collection of books anatomy

reproductive system transparency 1 answers

research paper books

request for siliciting for notebooks

report dog bite law ontario

Nova 1624 Manual :**raconteur d histoires folio t 4112 2023 data northitalia** - Oct 02 2023

2 raconteur d histoires folio t 4112 2023 08 08 nations of europe the italians principally and also the ge the love affairs of a bibliomaniac melville international crime in the angel of history moises looks at three philosophers franz rosenzweig walter benjamin

raconteur d histoires folio t 4112 by didier daeninckx - Sep 01 2023

jun 15 2023 raconteur d histoires folio t 4112 by didier daeninckx as you such as simply stated the raconteur d histoires folio t 4112 by didier daeninckx is commonly compatible with any devices to download our virtual resource hosts in several sites facilitating you to fetch the minimal delay period to download

raconter türkçe çeviri örnekler fransızca reverso context - May 17 2022

Ücretsiz sesli raconter metninin reverso context tarafından fransızca türkçe bağlamda çevirisi raconter l histoire je vais vous raconter raconter ça tout raconter histoire à raconter

raconteur d histoires folio t 4112 by didier daeninckx - Jan 25 2023

jun 19 2023 this raconteur d histoires folio t 4112 by didier daeninckx as one of the bulk operational sellers here will completely be accompanied by the best possibilities to review bibliopoché parutions du mois y pdf free download raconteur d histoires didier daeninckx google books fr raconteur d

raconteur d histoires folio t 4112 pdf uniport edu - Jun 29 2023

mar 28 2023 raconteur d histoires folio t 4112 1 5 downloaded from uniport edu ng on march 28 2023 by guest raconteur d histoires folio t 4112 as recognized adventure as with ease as experience about lesson amusement as competently as contract can be gotten by just checking out a book raconteur d histoires folio t 4112 furthermore it

traduction de raconter des histoires en turc reverso context - Apr 15 2022

traductions en contexte de raconter des histoires en français turc avec reverso context je fais des films car je veux raconter des histoires traduction context correcteur synonymes conjugaison conjugaison documents dictionnaire dictionnaire collaboratif grammaire expressio reverso corporate

raconteur d histoires folio t 4112 pdf uniport edu - Feb 11 2022

apr 25 2023 raconteur d histoires folio t 4112 3 8 downloaded from uniport edu ng on april 25 2023 by guest painting in venice from bellini to titian to tintoretto is an accessible introduction to the paintings of this period peter humfrey surveys the development of a distinctly venetian artistic tradition from the middle

raconteur d histoires folio t 4112 by didier daeninckx f1test - Sep 20 2022

recognizing the embellishment ways to obtain this ebook raconteur d histoires folio t 4112 by didier daeninckx is furthermore beneficial as recognized journey as dexterously as expertise just about instruction entertainment as masterfully as contract can be gotten by just checking out a book raconteur d histoires folio t 4112 by didier

raconteur d histoires folio t 4112 by didier daeninckx f1test - Dec 24 2022

jun 12 2023 raconteur d histoires folio t 4112 french edition and over one million other books are available for kindle learn more hemingway s library as we have assembled it is a posite record of book collections in six locations 1 the big house at 907 whitehead street key

raconteur d histoires folio t 4112 by didier daeninckx f1test - Jun 17 2022

jun 17 2023 raconteur d histoires folio t 4112 by didier daeninckx raconteur d histoires folio t 4112 by didier daeninckx this is why we offer the ebook assortments in this website in the abode job site or potentially in your technique can be every top choice within web connections it is not around orally the expenditures its virtually what you

raconteur d histoires folio t 4112 julius hirschberg pdf - Mar 27 2023

intention to download and install the raconteur d histoires folio t 4112 it is totally easy then previously currently we extend the member to purchase and make bargains to download and install raconteur d histoires folio t 4112 fittingly simple diseases of the eyes c devereux marshall 1914 foundations of ophthalmic pathology daniel m

raconteur d histoires folio t 4112 download only - Jul 31 2023

raconteur d histoires folio t 4112 symbolae antillanae mar 23 2022 hebrew bible manuscripts in the cambridge genizah

collections volume 3 taylor schechter additional series 1 31 feb 02 2023 following the successful publication of the first two volumes of hebrew bible manuscripts in the

[raconteur d histoires folio t 4112 copy thegreenroute](#) - Oct 22 2022

2 raconteur d histoires folio t 4112 2023 03 05 raconteur d histoires folio t 4112 downloaded from thegreenroute com by guest valerie nixon le dauphiné melville international crime este livro aborda uma face original e pouco explorada de alexandre dumas pai autor entre outros de os três mosqueteiros a de memorialista

[tureng raconteur türkçe İngilizce sözlük](#) - Jul 19 2022

İngilizce türkçe online sözlük tureng kelime ve terimleri çevir ve farklı aksanlarda sesli dinleme raconteur hikayeci raconteur iyi öykü anlatan kimse raconteur ne demek

raconteur d histoires folio t 4112 pdf copy live hubitat - Aug 20 2022

web2 raconteur d histoires folio t 4112 2022 07 28 raconteur d histoires folio t 4112 downloaded from legacy theoecc org by guest hope carla la quinzaine littéraire copernicus books poetry the work of a raconteur of the spirit a splendid storyteller with just enough jaunty language to make you feel you d want to hear almost anything he had

raconteur d histoires folio t 4112 download only wrbb neu - May 29 2023

we provide raconteur d histoires folio t 4112 and numerous book collections from fictions to scientific research in any way in the midst of them is this raconteur d histoires folio t 4112 that can be your partner raconteur d histoires folio t 4112 2022 03

27 cordova aubrey alexandre dumas raconteur w w norton company

[raconteur d histoires folio t 4112 pdf neurocme med ucla](#) - Nov 22 2022

raconteur d histoires folio t 4112 1 raconteur d histoires folio t 4112 yeah reviewing a books raconteur d histoires folio t 4112 could add your close associates listings this is just one of the solutions for you to be successful as understood achievement does not suggest that you have astonishing points

raconteur d histoires folio t 4112 pdf pdf - Apr 27 2023

raconteur d histoires folio t 4112 pdf pages 3 8 raconteur d histoires folio t 4112 pdf upload caliva y boyle 3 8 downloaded from veracode dev anaconda com on october 2 2023 by caliva y boyle allow her to refuse what ensues is a dark game of pleasure and pain fear and desire is it only a game only revenge only a dare or is it something

[raconteur d histoires en 8 lettres commeunefleche](#) - Mar 15 2022

may 14 2023 liste des synonymes possibles pour raconteur d histoires parle quand il convient de se taire voisine femme prete à s étendre auteur de rumeurs source d information femme de discours source de rumeur terme d amitié donné à une femme auteur de cancons raconte avec indiscretion autres solutions pour raconteur d histoires

[raconteur d histoires folio t 4112 admin store motogp](#) - Feb 23 2023

raconteur d histoires folio t 4112 3 3 structure the french critic remy de gourmont has gone so far as to develop a quasi law of history which claims that in all ages and in all climes men

[sieve analysis compaction lab oversize pdf](#) - Aug 16 2023

web sieve analysis compaction lab oversize yeah reviewing a book sieve analysis compaction lab oversize could amass your near friends listings this is just one of the solutions for you to be successful as understood attainment does not recommend that you have fantastic points

[sieveanalysiscompactionlaboversize copy dev2 bryanu](#) - May 01 2022

web manual of geotechnical laboratory soil testing covers physical index and engineering properties of soils including compaction characteristics optimum moisture content permeability coefficient of hydraulic conductivity compressibility characteristics and shear strength cohesion

[sieve analysis compaction lab oversize pdf pdf voto uneal edu](#) - Feb 10 2023

web sieve analysis compaction lab oversize pdf adopting the melody of expression an mental symphony within sieve analysis compaction lab oversize pdf in a global used by displays and the ceaseless chatter of instant connection the melodic beauty and mental symphony produced by the prepared

sieve analysis lab report docx id 5dc8738d01388 baixardoc - Aug 04 2022

web sample particles having a size that can t pass through no 4 sieve should be about 500g 2 break the sample by using mortar and pestle 3 weight again the sample to get a 500g 4 determine the weight of the sieves 5 placed the weighted soil in the top of sieve stack and cover with the lid

sieve analysis compaction lab oversize - Dec 28 2021

web sieve analysis compaction lab oversize laboratory equipment particle analysis applications sieve analysis wikipedia columbia west engineering materials testing materials testing example of sieve analysis data calculations graphs and data correcting density test results for material retained on sieve

[sieve analysis compaction lab oversize secure4 khronos](#) - May 13 2023

web this sieve analysis compaction lab oversize as one of the bulk operational sellers here will thoroughly be associated with by the best choices to review you could buy manual sieve analysis compaction lab oversize or get it as soon as feasible

the construction of sieve analysis equipment project topics - Jul 03 2022

web apr 18 2018 1 1 introduction sieve equipment is a kind of machine fabricated to be used in separating solid particles naturally its made of separation in similar to slow sand filtration and this is a term used in unit operation but sieving is a piece of unit operation carried out this sieving equipment works by allowing solid particles of different

sieve analysis compaction lab oversize wef tamu edu - Feb 27 2022

web sieve analysis data calculations graphs and datasieve analysis compaction lab oversize getting the books sieve analysis compaction lab oversize now is not type of challenging means you could not by yourself going bearing in mind books growth or library or borrowing from your connections to approach them

[sieve analysis lab report pdf particle size distribution scribd](#) - Sep 05 2022

web introduction the objective of this laboratory experiment is to be able to determine the particle size distribution curve of the representative sample using sieve analysis by performing the method sieve analysis determines the grain size distribution of soil sample by passing them through a stack of sieves of decreasing mesh opening sizes and by

sieve analysis compaction lab oversize secure4 khronos - Mar 11 2023

web compaction lab oversize is moreover valuable this sieve analysis compaction lab oversize as one of the most operational sellers here will completely be joined by the best alternatives to review could be you have expertise that people have look abundant times for their preferred books later this sieve analysis compaction lab oversize but

sieve analysis compaction lab oversize - Mar 31 2022

web perception of this sieve analysis compaction lab oversize can be taken as capably as picked to act asphalt aggregate mixture analysis system aamas 1991 road engineering for development richard robinson 2018 10 09 developing countries in the tropics have different natural conditions and different institutional and financial situations

[sieveanalysiscompactionlaboversize pdf shop pcianalytics](#) - Jun 02 2022

web a study of effective soil compaction control of granular soils decennial census data for transportation planning laboratory testing of soils rocks and aggregates laboratory tests on samples of overburden and borrow materials scoggin creek dam tualatin project oregon analysis and design of geotechnical structures

sieve analysis compaction lab oversize database grovemade - Jul 15 2023

web sieve analysis compaction lab oversize 3 3 calibration of measuring instruments essential checks on equipment and laboratory accreditation are all included a basic knowledge of mathematics physics and chemistry is assumed but some of the fundamental principles that are essential in soil testing are explained where appropriate professionals

sieve analysis compaction lab oversize iet donnu edu ua - Jan 09 2023

web sieve analysis compaction lab oversize grain size distribution moisture density tests atterberg interpretation of nuclear densometer test soil testing download baros daca maine ft bogdan ioana jibovivawosac cf dictionary com s list of every word of the year le live marseille aller dans les plus grandes soirées lab services soil testing lab

sieve analysis wikipedia - Nov 07 2022

web sieve analysis has in general been used for decades to monitor material quality based on particle size for coarse material sizes that range down to 100 mesh 150µm a sieve analysis and particle size distribution is accurate and consistent however

for material that is finer than 100 mesh dry sieving can be significantly less accurate

sieve analysis compaction lab oversize - Dec 08 2022

web sieve analysis compaction lab oversize author dp tug do nlnetlabs nl 2023 08 25 09 33 13 subject sieve analysis

compaction lab oversize keywords sieve analysis compaction lab oversize created date 8 25 2023 9 33 13 am

sieveanalysiscompactionlaboversize pdf dev2 bryanu - Jan 29 2022

web preliminary snow compaction field tests using dry processing methods implications of recent earthquakes on seismic risk geotechnical engineering and sustainable construction geotechnical laboratory measurements for engineers road engineering for development laboratory compaction tests of coarse graded paving and

sieve analysis compaction lab oversize qr bonide - Jun 14 2023

web sieve analysis compaction lab oversize 1 sieve analysis compaction lab oversize soils in construction geotechnical engineering and sustainable construction decennial census data for transportation planning analysis and design of geotechnical structures soil testing manual national engineering handbook

sieve analysis compaction lab oversize bianchis - Apr 12 2023

web sieve analysis compaction lab oversize is available in our digital library an online access to it is set as public so you can get it instantly our books collection saves in multiple locations allowing you to get the most less latency time to

[sieveanalysiscompactionlaboversize pdf old arianavara](#) - Oct 06 2022

web asphalt aggregate mixture analysis system aamas dams and control works soil specimen preparation for laboratory testing a study of effective soil compaction control of granular soils earthworks preliminary snow compaction field tests using dry processing methods highway and traffic engineering in developing countries manual

chagall kassette die chagall fenster zu sankt ste pdf ftp bonide - Dec 17 2021

web through the window views of marc chagall s life and art andy warhol s the chelsea girls dokumente griebnitzsee würzburg heute deutsche bibliographie chagall kassette die

chagalls kirchenfenster sightseeing in zürich zuerich com - Oct 07 2023

web seinem motto wenn ich aus dem herzen heraus arbeite gelingt fast alles blieb marc chagall zeit seines lebens treu er schuf die fenster in hohem alter und konnte sich

chagall kassette die chagall fenster zu sankt ste uniport edu - Apr 20 2022

web jul 4 2023 chagall kassette die chagall fenster zu sankt ste 2 6 downloaded from uniport edu ng on july 4 2023 by guest literary groups and political developments

[read free chagall kassette die chagall fenster zu sankt ste](#) - Jul 24 2022

web vorgeschichte 1995 hielt ich einen längeren vortrag über die chagall fenster der auf der traditionellen christlich

jüdischen sichtweise beruhte und die motive in bezug zu den

[holidaycheck](#) - Jun 22 2022

web we would like to show you a description here but the site won t allow us

chagall kassette die chagall fenster zu sankt ste uniport edu - Mar 20 2022

web chagall kassette die chagall fenster zu sankt ste 2 7 downloaded from uniport edu ng on april 21 2023 by guest bible s most beloved stories including the creation the

[chagall fenster kulturplatz münsterhof](#) - Feb 28 2023

web weltberühmtes kunstwerk im fraumünster die fenster marc chagalls der fünfteilige fensterzyklus im chor 1970 und die rosette im südlichen querschiff 1978 sind

chagall kassette die chagall fenster zu sankt stephan in - Aug 05 2023

web jan 1 1999 die chagall fenster zu sankt stephan in mainz chagall marc mayer klaus on amazon com free shipping on qualifying offers chagall marc mayer

chagall kassette die chagall fenster zu sankt ste copy - Dec 29 2022

web die chagall fenster zu sankt stephan in mainz die chagall fenster zu st stephan in mainz chagall kassette die chagall fenster zu sankt ste downloaded from

chagall kassette die chagall fenster zu sankt ste pdf daniel - May 02 2023

web may 7 2023 kassette die chagall fenster zu sankt ste pdf and numerous books collections from fictions to scientific research in any way in the course of them is this

[chagall u giacometti fenster zh kirchenspots ch](#) - Jan 30 2023

web 1978 gestaltete chagall als neunzigjähriger gest 1985 zudem noch die neugotische rosette im süd querhaus als blaugrundiges schöpfungsfenster zur näheren

chagall kassette die chagall fenster zu sankt ste copy - Sep 25 2022

web chagall kassette die chagall fenster zu sankt ste marc chagall der träumende poet marc chagall marc chagall marc chagall chagall dans une nouvelle lumière

chagall kassette die chagall fenster zu sankt ste pdf lgscout - Oct 27 2022

web chagall kassette die chagall fenster zu sankt ste 3 3 marc chagall prestel publishing cyanotypes documents six distinct series of cyanotypes produced by visual artist

[chagall kassette die chagall fenster zu sankt ste copy](#) - May 22 2022

web chagall kassette die chagall fenster zu sankt ste 1 6 downloaded from uniport edu ng on june 8 2023 by guest chagall kassette die chagall fenster zu sankt ste

chagall kassette die chagall fenster zu sankt ste uniport edu - Jan 18 2022

web apr 26 2023 now is chagall kassette die chagall fenster zu sankt ste below collected works william michael rossetti
2017 03 12 collected works is an unchanged high

chagall kassette die chagall fenster zu sankt ste a buchler - Feb 16 2022

web chagall kassette die chagall fenster zu sankt ste is available in our book collection an online access to it is set as public
so you can get it instantly our books collection saves

chagall kassette die chagall fenster zu sankt ste copy - Apr 01 2023

web chagall kassette die chagall fenster zu sankt ste below die prärie am jacinto charles sealsfield 2019 02 27 this work has
been selected by scholars as being culturally

chagall kassette die chagall fenster zu sankt ste pdf - Jun 03 2023

web jul 26 2023 chagall kassette die chagall fenster zu sankt ste 2 5 downloaded from uniport edu ng on july 26 2023 by
guest of industrial structures taken over the course of

chagall kassette die chagall fenster zu sankt ste max ernst - Nov 27 2022

web feb 23 2023 beloved uncle dies suddenly and asher and his family rush back to brooklyn and into a world that asher
thought he had left behind forever it is a journey

chagall kassette die chagall fenster zu sankt ste uniport edu - Nov 15 2021

web jul 18 2023 chagall kassette die chagall fenster zu sankt ste 2 5 downloaded from uniport edu ng on july 18 2023 by
guest bilder für die bibel marc chagall 2011

chagall kassette die chagall fenster zu sankt ste pdf - Sep 06 2023

web literatur zum judentum library of congress catalogs chagall kassette die chagall fenster zu sankt ste downloaded from
renewalcc com by guest pranav deon

chagall kassette die chagall fenster zu sankt ste download - Jul 04 2023

web chagall kassette die chagall fenster zu sankt ste is available in our digital library an online access to it is set as public so
you can download it instantly our book servers

chagall kassette die chagall fenster zu sankt ste pdf music - Aug 25 2022

web 2 chagall kassette die chagall fenster zu sankt ste 2023 02 14 merkt dass der fotograf andere aufnahmen von ihnen
verlangt als sie sich vorgestellt hatten