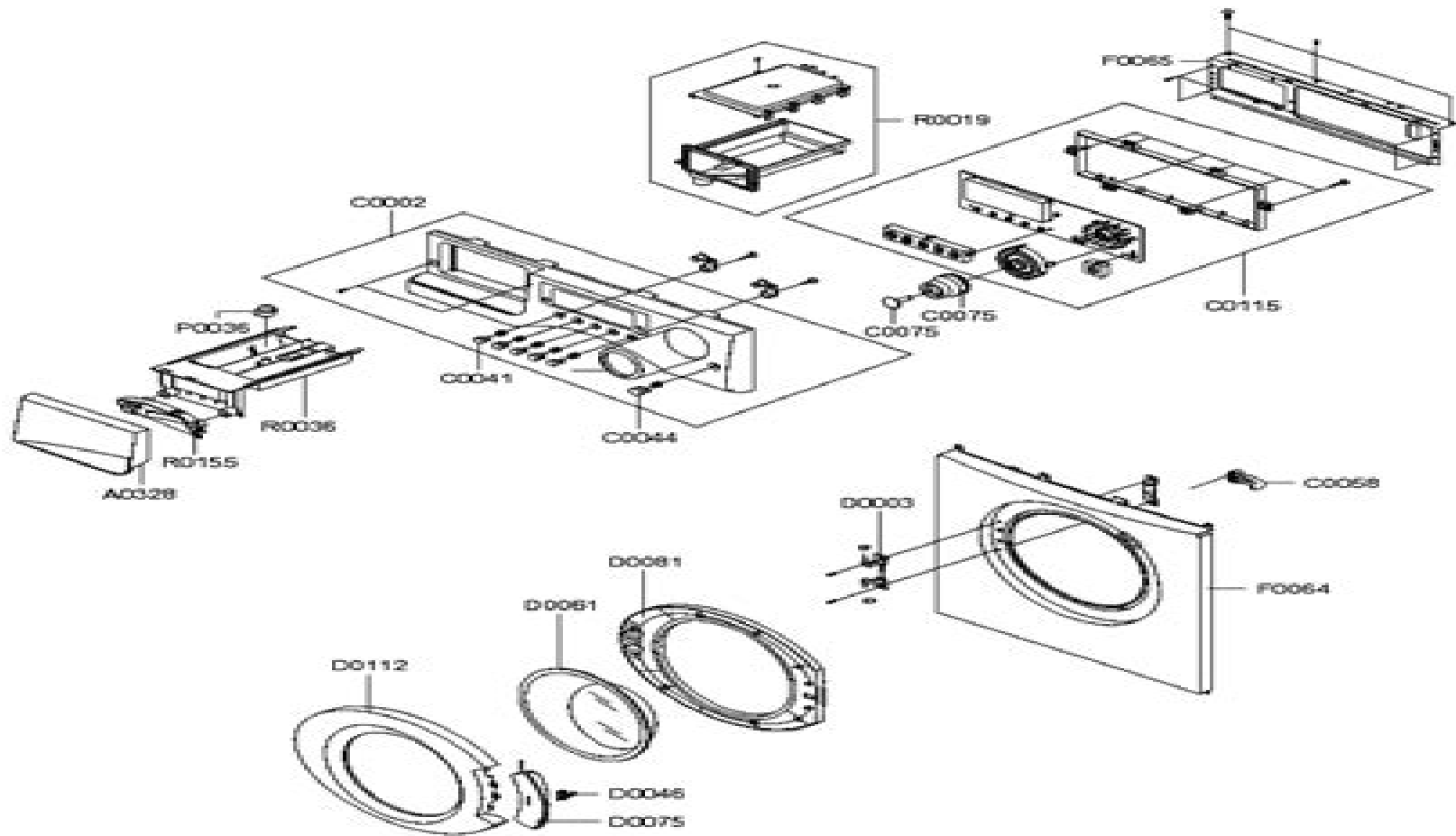

15. TOP (FRONT) – EXPLODED VIEW



Samsung J845 Service Manual

Judd E. Hollander



Samsung J845 Service Manual:

When somebody should go to the ebook stores, search start by shop, shelf by shelf, it is in reality problematic. This is why we give the book compilations in this website. It will entirely ease you to look guide **Samsung J845 Service Manual** as you such as.

By searching the title, publisher, or authors of guide you really want, you can discover them rapidly. In the house, workplace, or perhaps in your method can be all best place within net connections. If you strive for to download and install the Samsung J845 Service Manual, it is entirely easy then, back currently we extend the link to purchase and create bargains to download and install Samsung J845 Service Manual in view of that simple!

https://crm.avenza.com/About/book-search/Download_PDFS/origine_du_nom_de_famille_bessaguet_oeuvres_courtes.pdf

Table of Contents Samsung J845 Service Manual

1. Understanding the eBook Samsung J845 Service Manual
 - The Rise of Digital Reading Samsung J845 Service Manual
 - Advantages of eBooks Over Traditional Books
2. Identifying Samsung J845 Service Manual
 - Exploring Different Genres
 - Considering Fiction vs. Non-Fiction
 - Determining Your Reading Goals
3. Choosing the Right eBook Platform
 - Popular eBook Platforms
 - Features to Look for in an Samsung J845 Service Manual
 - User-Friendly Interface
4. Exploring eBook Recommendations from Samsung J845 Service Manual
 - Personalized Recommendations
 - Samsung J845 Service Manual User Reviews and Ratings
 - Samsung J845 Service Manual and Bestseller Lists

5. Accessing Samsung J845 Service Manual Free and Paid eBooks
 - Samsung J845 Service Manual Public Domain eBooks
 - Samsung J845 Service Manual eBook Subscription Services
 - Samsung J845 Service Manual Budget-Friendly Options
6. Navigating Samsung J845 Service Manual eBook Formats
 - ePub, PDF, MOBI, and More
 - Samsung J845 Service Manual Compatibility with Devices
 - Samsung J845 Service Manual Enhanced eBook Features
7. Enhancing Your Reading Experience
 - Adjustable Fonts and Text Sizes of Samsung J845 Service Manual
 - Highlighting and Note-Taking Samsung J845 Service Manual
 - Interactive Elements Samsung J845 Service Manual
8. Staying Engaged with Samsung J845 Service Manual
 - Joining Online Reading Communities
 - Participating in Virtual Book Clubs
 - Following Authors and Publishers Samsung J845 Service Manual
9. Balancing eBooks and Physical Books Samsung J845 Service Manual
 - Benefits of a Digital Library
 - Creating a Diverse Reading Collection Samsung J845 Service Manual
10. Overcoming Reading Challenges
 - Dealing with Digital Eye Strain
 - Minimizing Distractions
 - Managing Screen Time
11. Cultivating a Reading Routine Samsung J845 Service Manual
 - Setting Reading Goals Samsung J845 Service Manual
 - Carving Out Dedicated Reading Time
12. Sourcing Reliable Information of Samsung J845 Service Manual
 - Fact-Checking eBook Content of Samsung J845 Service Manual
 - Distinguishing Credible Sources
13. Promoting Lifelong Learning

- Utilizing eBooks for Skill Development
 - Exploring Educational eBooks
14. Embracing eBook Trends
- Integration of Multimedia Elements
 - Interactive and Gamified eBooks

Samsung J845 Service Manual Introduction

Free PDF Books and Manuals for Download: Unlocking Knowledge at Your Fingertips In today's fast-paced digital age, obtaining valuable knowledge has become easier than ever. Thanks to the internet, a vast array of books and manuals are now available for free download in PDF format. Whether you are a student, professional, or simply an avid reader, this treasure trove of downloadable resources offers a wealth of information, conveniently accessible anytime, anywhere. The advent of online libraries and platforms dedicated to sharing knowledge has revolutionized the way we consume information. No longer confined to physical libraries or bookstores, readers can now access an extensive collection of digital books and manuals with just a few clicks. These resources, available in PDF, Microsoft Word, and PowerPoint formats, cater to a wide range of interests, including literature, technology, science, history, and much more. One notable platform where you can explore and download free Samsung J845 Service Manual PDF books and manuals is the internet's largest free library. Hosted online, this catalog compiles a vast assortment of documents, making it a veritable goldmine of knowledge. With its easy-to-use website interface and customizable PDF generator, this platform offers a user-friendly experience, allowing individuals to effortlessly navigate and access the information they seek. The availability of free PDF books and manuals on this platform demonstrates its commitment to democratizing education and empowering individuals with the tools needed to succeed in their chosen fields. It allows anyone, regardless of their background or financial limitations, to expand their horizons and gain insights from experts in various disciplines. One of the most significant advantages of downloading PDF books and manuals lies in their portability. Unlike physical copies, digital books can be stored and carried on a single device, such as a tablet or smartphone, saving valuable space and weight. This convenience makes it possible for readers to have their entire library at their fingertips, whether they are commuting, traveling, or simply enjoying a lazy afternoon at home. Additionally, digital files are easily searchable, enabling readers to locate specific information within seconds. With a few keystrokes, users can search for keywords, topics, or phrases, making research and finding relevant information a breeze. This efficiency saves time and effort, streamlining the learning process and allowing individuals to focus on extracting the information they need. Furthermore, the availability of free PDF books and manuals fosters a culture of continuous learning. By removing financial barriers, more people can access educational resources and pursue lifelong learning, contributing to personal

growth and professional development. This democratization of knowledge promotes intellectual curiosity and empowers individuals to become lifelong learners, promoting progress and innovation in various fields. It is worth noting that while accessing free Samsung J845 Service Manual PDF books and manuals is convenient and cost-effective, it is vital to respect copyright laws and intellectual property rights. Platforms offering free downloads often operate within legal boundaries, ensuring that the materials they provide are either in the public domain or authorized for distribution. By adhering to copyright laws, users can enjoy the benefits of free access to knowledge while supporting the authors and publishers who make these resources available. In conclusion, the availability of Samsung J845 Service Manual free PDF books and manuals for download has revolutionized the way we access and consume knowledge. With just a few clicks, individuals can explore a vast collection of resources across different disciplines, all free of charge. This accessibility empowers individuals to become lifelong learners, contributing to personal growth, professional development, and the advancement of society as a whole. So why not unlock a world of knowledge today? Start exploring the vast sea of free PDF books and manuals waiting to be discovered right at your fingertips.

FAQs About Samsung J845 Service Manual Books

How do I know which eBook platform is the best for me? Finding the best eBook platform depends on your reading preferences and device compatibility. Research different platforms, read user reviews, and explore their features before making a choice. Are free eBooks of good quality? Yes, many reputable platforms offer high-quality free eBooks, including classics and public domain works. However, make sure to verify the source to ensure the eBook credibility. Can I read eBooks without an eReader? Absolutely! Most eBook platforms offer web-based readers or mobile apps that allow you to read eBooks on your computer, tablet, or smartphone. How do I avoid digital eye strain while reading eBooks? To prevent digital eye strain, take regular breaks, adjust the font size and background color, and ensure proper lighting while reading eBooks. What the advantage of interactive eBooks? Interactive eBooks incorporate multimedia elements, quizzes, and activities, enhancing the reader engagement and providing a more immersive learning experience. Samsung J845 Service Manual is one of the best book in our library for free trial. We provide copy of Samsung J845 Service Manual in digital format, so the resources that you find are reliable. There are also many Ebooks of related with Samsung J845 Service Manual. Where to download Samsung J845 Service Manual online for free? Are you looking for Samsung J845 Service Manual PDF? This is definitely going to save you time and cash in something you should think about.

Find Samsung J845 Service Manual :

origine du nom de famille bessaguet oeuvres courtes

origine du nom de famille chiaroni oeuvres courtes

origine du nom de famille fossat oeuvres courtes

origine du nom de famille grillet oeuvres courtes

origine du nom de famille caux oeuvres courtes

origine du nom de famille descubes oeuvres courtes

origine du nom de famille hamon oeuvres courtes

origine du nom de famille auffret oeuvres courtes

origine du nom de famille boudin oeuvres courtes

origine du nom de famille lapeyre oeuvres courtes

origine du nom de famille ferrer oeuvres courtes

origine du nom de famille delandre oeuvres courtes

origine du nom de famille desport oeuvres courtes

original peach cobbler recipe

origine du nom de famille delignieres oeuvres courtes

Samsung J845 Service Manual :

law firm business plan template updated 2023 growthink - Jul 30 2023

if you d like to quickly and easily complete your law firm business plan download our proven business plan template here how to write a business plan for a law firm if you want to start a law firm or expand your current one you need a business plan

how to draft a law firm business plan lexisnexis - Mar 26 2023

jan 10 2019 if the firm makes it a practice to revisit the business plan on an annual basis if not more regularly its business considerations will stay top of mind and the firm will continually refine them in ways that improve its performance the contents of a business plan creating a strong business plan will require an investment of time and energy

legal business plans - Feb 10 2022

nonprofit law firm business plan advocates for legal equal access is a not for profit law firm providing civil rights legal representation to indigent citizens as a legal professional you know the value that comes from a dedicated and timely legal council and as part of a larger legal or documentation firm you can do a lot of good for a lot

[how to draft a law firm business plan](#) - Jan 24 2023

on their law practice business management by taking the step of drafting a business plan the point of a business plan we ll discuss the components of a business plan in a moment but first let s talk about why this exercise is valuable

[appendix 4 developing a law firm business plan](#) - Dec 23 2022

developing a law firm business plan the following worksheet leads you through each of the categories of a basic law practice business plan although the practice of law is a profession law practice is a business careful planning increases the opportunity for a successful practice without the unanticipated surprises that cause practices to

[how to create a law firm business plan clio](#) - Aug 31 2023

sep 13 2023 law firm business plan templates here are some links where you can find examples of business plans and business plan templates for law firms wy east law firm smith jones p a dc bar lso osblf business plan workbook final thoughts on how to create a law firm business plan

law firm business plan a guide to success - Mar 14 2022

may 17 2023 we ll also explore the key elements that should be included in your law firm s business plan such as market analysis financial projections and marketing strategies additionally we ll provide a business plan template practical tips and examples of successful law firm business plans to help you get started

[how to write a business plan for a law firm with sample](#) - Aug 19 2022

the key components of a law firm business plan whether you re planning to start a small firm right out of law school or grow into a big law firm with multiple lawyers you need a business plan a good law firm business plan has multiple components including an executive summary a firm description a market analysis

[law firm business plan guide template 2023 upmetrics](#) - Apr 26 2023

a law firm business plan is a document that outlines your business goals and strategies to achieve those goals it includes your law firm overview your reason to start your firm the services you will offer a budget or funding requirements and strategies to get and manage your clients

seven sample attorney business plans why attorneys must have business - Sep 19 2022

jun 1 2022 in fact personal business planning can be as simple as you want to make it as you can see here with this sample business plan for law practice pdf you don t even have to call it a business plan call it a career plan if you prefer

building a great business plan for your new law practice shoffner - Nov 21 2022

jan 22 2009 that guide is your business plan think of the plan as your law practice s global positioning system in fact if you are serious about reaching your long term goals your business plan is the best tool that you can have the business plan describes your practice in detail it defines how you will operate

[how to write your law firm business plan lawyerist](#) - Jun 28 2023

mar 19 2020 every new law practice needs a business plan this is a guide to creating one here is what should go in your business plan once you ve decided about your law firm business model section one executive summary this section provides a succinct overview of your full plan it should also include the following mission statement

[law firm business plan outline practicepro](#) - Oct 21 2022

what is a law practice business plan and what does it consist of it is a concise and organized summary of how you intend to start and remain in business it is composed of four main areas a general description of your business your financial plan your management plan and your marketing plan

writing a business plan for law firm law firm business plan sample - May 28 2023

oct 30 2023 small law firm committee writing a business plans for lawyers the non financial side 1 why write a law firm business plan first and foremost it s a management tool it forces you to think through important issues you may not otherwise consider the recipe to grow your law practice what is a business plan a roadmap albeit a changing

[business plan for a startup law firm basic training](#) - Feb 22 2023

business plan for a startup law office the business plan consists of a narrative and several financial worksheets the narrative template is the body of the business plan it contains more than 150 questions divided into several sections

[a successful business plan for solo law firm legodesk](#) - Jun 16 2022

aug 26 2020 a business plan is an overall outline of a legal professional s legal business that needs to be revised and modified continuously as you create one new ideas and strategies unfold it aids in formulating a direction and control for the business

drafting a business plan legal guidance lexisnexis - Jul 18 2022

dec 11 2022 this practice note provides information for law firms about preparing and implementing a successful business plan what is a business plan a business plan is a document that explains how the firm will achieve its objectives see precedents strategic business plan consumer and strategic business plan commercial why have a business

[law firm business plan sample template profitableventure](#) - May 16 2022

a sample law firm business plan template 1 industry overview the services of lawyers are needed in every part of the united states of america statistics has it that the united states of america has about 165 000 law offices and they generate about 180 billion in annual revenue

[law firm business plan sample update 2023 ogscapital](#) - Oct 01 2023

jun 3 2018 however this small law firm business plan outlines the plan the business intends to use to acquire clients and propel business growth it is costly to set up a fully functioning law firm but adequate strategies have been put in place

sample law firm business plan template startupback - Apr 14 2022

here is a sample business plan for starting a law firm name of business ashley adams law firm llp table of content outline executive summary products and services vision statement mission statement business structure market analysis publicity cost of starting sources of capital conclusion executive summary

las misiones pedagógicas en la ii república diario digital - Feb 09 2023

web hablar de las misiones pedagógicas es hablar del krausismo y de la educación en españa es hablar de la institución libre de enseñanza todo esto es la columna vertebral de este

las misiones pedagógicas educación y tiempo libre en la - Jan 08 2023

web pretenden el fomento de la cultura la orientación pedagógica y la educación ciudadana de las gentes que viven en las zonas rurales más atrasadas para inculcarles el interés por la cultura y formarles espiritualmente subvencionadas con fondos públicos cuentan con servicios de biblioteca música cine coro y teatro museo ambulante y

las misiones pedagógicas educación popular en la segunda - Jun 13 2023

web jan 1 2016 request pdf on jan 1 2016 alejandro tiana ferrer published las misiones pedagógicas educación popular en la segunda república find read and cite all the research you need on researchgate

las misiones pedagógicas educación popular en la segunda - Aug 15 2023

web feb 22 2021 las misiones pedagógicas o cómo transmitir la cultura de la ciudad sin colonizar los pueblos 08 03 2021 las misiones pedagógicas educación popular en la segunda república es el título ahora reeditado por catarata dentro de su colección relecturas en la publicación tiana recupera la historia de un proyecto tan innovador

las misiones pedagógicas la educación popular en la segunda - Mar 30 2022

web jul 27 2016 las misiones pedagógicas la educación popular en la segunda república tiana ferrer alejandro on amazon com free shipping on qualifying offers las misiones pedagógicas la educación popular en la segunda república

las misiones pedagógicas en galicia un modelo de educación popular - Jul 02 2022

web las misiones pedagógicas en galicia un modelo de educación popular durante la segunda república 1931 1934 uri hdl handle net 11162 6623 education level educación superior document type ponencia exportar compartir estadísticas view usage statistics metadata show full item record author porto ucha Ángel serafín

las misiones pedagógicas educación popular en la segunda - May 12 2023

web las misiones pedagógicas educación popular en la segunda república coleccion mayor alejandro tiana amazon es libros

pdf las misiones pedagógicas educación y tiempo libre en la - Apr 11 2023

web las misiones pedagógicas educación y tiempo libre en la segunda república francisco canes garrido 1 introducción la creación del ministerio de instrucción pública y bellas artes por real decreto de 18 de abril de 1900 gaceta del 19 supone uno

de los hechos más memorables de la educación española

las misiones pedagógicas la enseñanza de todo lo demás - Mar 10 2023

web dec 23 2021 junto con los libros los misioneros llevaban un gramófono con el que organizaban audiciones tanto de música popular representativa de las diversas comunidades de España como clásica o culta

las misiones pedagógicas educación popular en la segunda - Feb 26 2022

web las misiones pedagógicas educación popular en la segunda república 12 relecturas tiana ferrer alejandro amazon es libros

la educación popular en Montevideo de las universidades - Apr 30 2022

web de las universidades populares a las misiones socio pedagógicas 1930 1959 lectura en la UNED Universidad Nacional de Educación a Distancia España en 2019 tribunal calificador de la tesis Agustín Escolano Benito presid Gabriela Ossenbach Sauter Secret Teresa Rabazas Romero Voc

las misiones pedagógicas la escuela de la república - Nov 06 2022

web la legislación de principios de siglo XX hace ya referencia a las misiones pedagógicas consideradas como uno de los medios para sacar al pueblo de la ignorancia que es una de las principales lacras sociales pero no será hasta la II República cuando se consigue su realización y expansión

misiones pedagógicas wikipedia la enciclopedia libre - Jul 14 2023

web las misiones pedagógicas fueron un proyecto de solidaridad cultural patrocinado por el gobierno de la segunda república española a través del ministerio de Instrucción Pública y Bellas Artes y desde las plataformas del Museo Pedagógico Nacional y la institución libre de enseñanza creadas en 1931 se desmantelaron al final de la guerra civil 1

la educación popular en Montevideo de las universidades - Jan 28 2022

web la educación popular en Montevideo de las universidades populares a las misiones socio pedagógicas 1930 1959 2019 Universidad Nacional de Educación a Distancia España Escuela Internacional de Doctorado Programa de Doctorado en Diversidad Subjetividad y Socialización

las misiones pedagógicas una experiencia de educación popular - Aug 03 2022

web análise dunha experiencia con referencias a Galicia coa chegada das misións pedagóxicas en 1931 se produce en Galicia un intenso achegamento a ile a pesar que ser tildada moitas veces de elitismo cultural e posibel atopar na ile unha faceta popular

misiones pedagógicas política cultura y sociedad en la - Oct 05 2022

web las misiones pedagógicas nacían como un medio a través de la educación no formal y la difusión cultural para favorecer la equidad la justicia social la modernización la democratización y la noción de ciudadanía acabar con el aislamiento del

mundo rural y favorecer la comunicación entre las ciudades y las aldeas así como apoyar y contribuir [las misiones pedagógicas un proyecto republicano de animación](#) - Dec 07 2022

web paña años después del periodo republicano pero que comparte con las misiones similitudes des tacadas en sus actuaciones su metodología sus características así como en su fin último de pro mover una transformación social a través del acceso a la educación y a la cultura de todos sus ciudadanos

las misiones pedagógicas fue una escuela recreativa para disfrutar - Sep 04 2022

web feb 7 2017 las misiones pedagógicas educación popular en la segunda república es el libro que alejandro tiana acaba de publicar en la editorial la catarata madrid 2016 con el propósito de recuperar la memoria de aquella extraordinaria iniciativa aunando el rigor académico con la mayor amenidad para el le

las misiones pedagógicas educación popular en la - Jun 01 2022

web sinopsis de las misiones pedagógicas educación popular en la segunda república es natural que queráis saber antes de empezar quienes somos y a que venimos no tengáis miedo no venimos a pedir nada al contrario venimos a daros de balde algunas cosas somos una escuela ambulante que quiere ir de pueblo en pueblo

imágenes e historia de la educación popular - Dec 27 2021

web 5 2017 73 155 sociedad española de historia de la educación issn doi 10 5944 hme 5 2017 16799 73 cómo citar este artículo moreno martínez pedro l imágenes e historia de la educación popular representaciones fotográficas de las misiones pedagógicas en la región de murcia historia y memoria de la educación 5

[applique definition meaning merriam webster](#) - Sep 22 2021

what is applique oak national academy - May 31 2022

web the applique sampler lessons in applique letseat guide the applique sampler lessons in applique as you such as by searching the title publisher or authors of guide you in fact

[the best ever applique sampler piece o cake blog](#) - Mar 09 2023

web the best ever applique sampler these quilts are from our book the best ever applique sampler which is available in book and ebook formats click here to find it at pieceocake com the best ever applique sampler is full of detailed applique instructions and clear sharp photos

free quilt tutorials quilting videos quilting tutorials - Nov 05 2022

web may 26 2022 explore the technique of appliqué in textiles learn the definition of appliqué discover how it is done and see the different methods of application updated 05 26 2022

the applique sampler lessons in applique pdf pdf - Oct 24 2021

intro to applique for beginners youtube - Jul 01 2022

web check out our applique sampler selection for the very best in unique or custom handmade pieces from our embroidery shops

circle applique seasonal sampler series youtube - Jan 07 2023

web jan 1 2002 learn to applique the piece o cake way readers learn how to create their own sampler in this unique guide in which each block and border presents a different

the applique sampler lessons in applique pdf gccca - Apr 29 2022

web develop a daily stitching habit practice over 20 different stitch combinations and techniques use the open ended prompts to explore stitches you ve wanted to learn bust scraps and

30 days of felt appliqué beth colletti stitching school - Jan 27 2022

web the applique sampler lessons in applique pdf upload caliva m williamson 1 2 downloaded from voto uncal edu br on august 24 2023 by caliva m williamson the

theappliquesamplerlessonsinaapplique download only - Feb 25 2022

web 2 8k views 3 years ago this lesson is part of a series of videos showing how to use the applique tools in pe design 11 in this video i used an image as a backdrop to create

applique 101 lesson 2 youtube - Nov 24 2021

applique sampler etsy - Mar 29 2022

web may 15 2023 the applique sampler lessons in applique as you such as by searching the title publisher or authors of guide you in point of fact want you can discover them

applique sampler paperback january 1 2002 amazon com - Dec 06 2022

web about the intro to applique a quilt tutorial for beginners with jenny doan jenny doan explains some of the different types and technique of applique in this very basic tutorial

the applique sampler lessons in applique erica kaprow book - Aug 02 2022

web mar 21 2023 the applique sampler lessons in applique pdf right here we have countless book the applique sampler lessons in applique pdf and collections to

the applique sampler lessons in applique pdf uniport edu - May 11 2023

web feb 27 2023 the applique sampler lessons in applique 1 6 downloaded from uniport edu ng on february 27 2023 by guest the applique sampler lessons in

the applique sampler lessons in applique pdf uniport edu - Dec 26 2021

web the meaning of appliqué is a cutout decoration fastened to a larger piece of material how to use appliqué in a sentence

the appliqué sampler lessons in applique aurora public - Jun 12 2023

web the appliqué sampler lessons in applique average rating author

applique technique and application study com - Sep 03 2022

web we will learn what applique is we will plan and create our own piece of work using applique our sketchbooks will be used to record our ideas art design teacher view

the new applique sampler learn to applique the piece - Apr 10 2023

web aug 1 2005 the new applique sampler learn to applique the piece o cake way paperback august 1 2005 by becky goldsmith author linda jenkins author 51

the applique sampler lessons in applique half price books - Feb 08 2023

web learn to applique the piece o cake way readers learn how to create their own sampler in this unique guide in which each block and border presents a different lesson in needle

applique hand machine sewing clothing linens - Oct 04 2022

web download guide the applique sampler lessons in applique it will not admit many mature as we tell before you can accomplish it while feint something else at home and even in

the applique sampler lessons in applique paperback amazon ca - Aug 14 2023

web the applique sampler lessons in applique jenkins linda goldsmith becky 9780967439358 books amazon ca

the applique sampler lessons in applique amazon de - Jul 13 2023

web apr 1 2003 the applique sampler lessons in applique jenkins linda goldsmith becky amazon de books