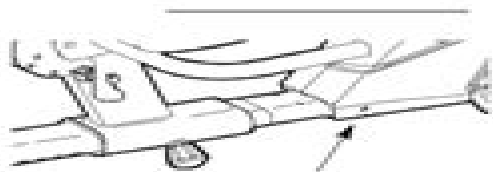
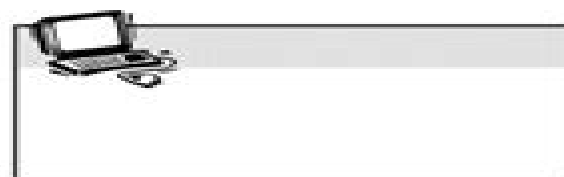
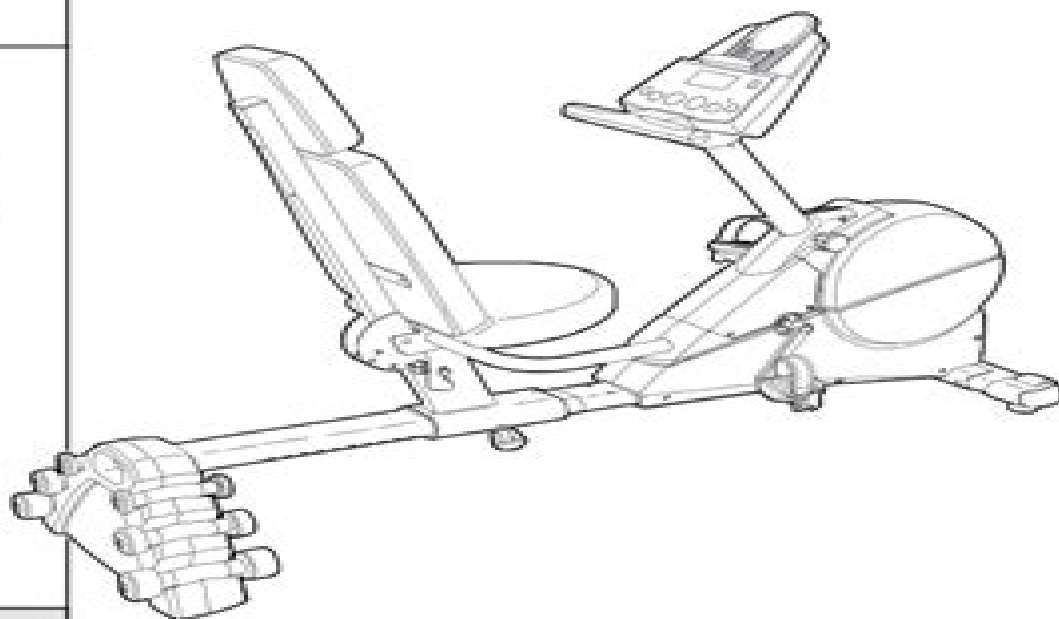


# PRO-FORM

## CROSSTRAINER 970



EXERCISE  
EQUIPMENT  
QUESTIONS  
HELPLINE!  
1-800-736-6879



# Proform Crosstrainer 970 Manual

**JR Anderson**



## **Proform Crosstrainer 970 Manual:**

Right here, we have countless books **Proform Crosstrainer 970 Manual** and collections to check out. We additionally allow variant types and plus type of the books to browse. The suitable book, fiction, history, novel, scientific research, as capably as various additional sorts of books are readily nearby here.

As this Proform Crosstrainer 970 Manual, it ends taking place physical one of the favored book Proform Crosstrainer 970 Manual collections that we have. This is why you remain in the best website to look the unbelievable books to have.

<https://crm.avenza.com/public/uploaded-files/Documents/Parler%20Agrave%20Ses%20Enfants.pdf>

## **Table of Contents Proform Crosstrainer 970 Manual**

1. Understanding the eBook Proform Crosstrainer 970 Manual
  - The Rise of Digital Reading Proform Crosstrainer 970 Manual
  - Advantages of eBooks Over Traditional Books
2. Identifying Proform Crosstrainer 970 Manual
  - Exploring Different Genres
  - Considering Fiction vs. Non-Fiction
  - Determining Your Reading Goals
3. Choosing the Right eBook Platform
  - Popular eBook Platforms
  - Features to Look for in an Proform Crosstrainer 970 Manual
  - User-Friendly Interface
4. Exploring eBook Recommendations from Proform Crosstrainer 970 Manual
  - Personalized Recommendations
  - Proform Crosstrainer 970 Manual User Reviews and Ratings
  - Proform Crosstrainer 970 Manual and Bestseller Lists
5. Accessing Proform Crosstrainer 970 Manual Free and Paid eBooks
  - Proform Crosstrainer 970 Manual Public Domain eBooks

- Proform Crosstrainer 970 Manual eBook Subscription Services
- Proform Crosstrainer 970 Manual Budget-Friendly Options
- 6. Navigating Proform Crosstrainer 970 Manual eBook Formats
  - ePub, PDF, MOBI, and More
  - Proform Crosstrainer 970 Manual Compatibility with Devices
  - Proform Crosstrainer 970 Manual Enhanced eBook Features
- 7. Enhancing Your Reading Experience
  - Adjustable Fonts and Text Sizes of Proform Crosstrainer 970 Manual
  - Highlighting and Note-Taking Proform Crosstrainer 970 Manual
  - Interactive Elements Proform Crosstrainer 970 Manual
- 8. Staying Engaged with Proform Crosstrainer 970 Manual
  - Joining Online Reading Communities
  - Participating in Virtual Book Clubs
  - Following Authors and Publishers Proform Crosstrainer 970 Manual
- 9. Balancing eBooks and Physical Books Proform Crosstrainer 970 Manual
  - Benefits of a Digital Library
  - Creating a Diverse Reading Collection Proform Crosstrainer 970 Manual
- 10. Overcoming Reading Challenges
  - Dealing with Digital Eye Strain
  - Minimizing Distractions
  - Managing Screen Time
- 11. Cultivating a Reading Routine Proform Crosstrainer 970 Manual
  - Setting Reading Goals Proform Crosstrainer 970 Manual
  - Carving Out Dedicated Reading Time
- 12. Sourcing Reliable Information of Proform Crosstrainer 970 Manual
  - Fact-Checking eBook Content of Proform Crosstrainer 970 Manual
  - Distinguishing Credible Sources
- 13. Promoting Lifelong Learning
  - Utilizing eBooks for Skill Development
  - Exploring Educational eBooks

## 14. Embracing eBook Trends

- Integration of Multimedia Elements
- Interactive and Gamified eBooks

### **Proform Crosstrainer 970 Manual Introduction**

In this digital age, the convenience of accessing information at our fingertips has become a necessity. Whether its research papers, eBooks, or user manuals, PDF files have become the preferred format for sharing and reading documents. However, the cost associated with purchasing PDF files can sometimes be a barrier for many individuals and organizations. Thankfully, there are numerous websites and platforms that allow users to download free PDF files legally. In this article, we will explore some of the best platforms to download free PDFs. One of the most popular platforms to download free PDF files is Project Gutenberg. This online library offers over 60,000 free eBooks that are in the public domain. From classic literature to historical documents, Project Gutenberg provides a wide range of PDF files that can be downloaded and enjoyed on various devices. The website is user-friendly and allows users to search for specific titles or browse through different categories. Another reliable platform for downloading Proform Crosstrainer 970 Manual free PDF files is Open Library. With its vast collection of over 1 million eBooks, Open Library has something for every reader. The website offers a seamless experience by providing options to borrow or download PDF files. Users simply need to create a free account to access this treasure trove of knowledge. Open Library also allows users to contribute by uploading and sharing their own PDF files, making it a collaborative platform for book enthusiasts. For those interested in academic resources, there are websites dedicated to providing free PDFs of research papers and scientific articles. One such website is Academia.edu, which allows researchers and scholars to share their work with a global audience. Users can download PDF files of research papers, theses, and dissertations covering a wide range of subjects. Academia.edu also provides a platform for discussions and networking within the academic community. When it comes to downloading Proform Crosstrainer 970 Manual free PDF files of magazines, brochures, and catalogs, Issuu is a popular choice. This digital publishing platform hosts a vast collection of publications from around the world. Users can search for specific titles or explore various categories and genres. Issuu offers a seamless reading experience with its user-friendly interface and allows users to download PDF files for offline reading. Apart from dedicated platforms, search engines also play a crucial role in finding free PDF files. Google, for instance, has an advanced search feature that allows users to filter results by file type. By specifying the file type as "PDF," users can find websites that offer free PDF downloads on a specific topic. While downloading Proform Crosstrainer 970 Manual free PDF files is convenient, its important to note that copyright laws must be respected. Always ensure that the PDF files you download are legally available for free. Many authors and publishers voluntarily provide free PDF versions of their work, but its essential to

be cautious and verify the authenticity of the source before downloading Proform Crosstrainer 970 Manual. In conclusion, the internet offers numerous platforms and websites that allow users to download free PDF files legally. Whether its classic literature, research papers, or magazines, there is something for everyone. The platforms mentioned in this article, such as Project Gutenberg, Open Library, Academia.edu, and Issuu, provide access to a vast collection of PDF files. However, users should always be cautious and verify the legality of the source before downloading Proform Crosstrainer 970 Manual any PDF files. With these platforms, the world of PDF downloads is just a click away.

## **FAQs About Proform Crosstrainer 970 Manual Books**

**What is a Proform Crosstrainer 970 Manual PDF?** A PDF (Portable Document Format) is a file format developed by Adobe that preserves the layout and formatting of a document, regardless of the software, hardware, or operating system used to view or print it. **How do I create a Proform Crosstrainer 970 Manual PDF?** There are several ways to create a PDF: Use software like Adobe Acrobat, Microsoft Word, or Google Docs, which often have built-in PDF creation tools. Print to PDF: Many applications and operating systems have a "Print to PDF" option that allows you to save a document as a PDF file instead of printing it on paper. Online converters: There are various online tools that can convert different file types to PDF. **How do I edit a Proform Crosstrainer 970 Manual PDF?** Editing a PDF can be done with software like Adobe Acrobat, which allows direct editing of text, images, and other elements within the PDF. Some free tools, like PDFescape or Smallpdf, also offer basic editing capabilities. **How do I convert a Proform Crosstrainer 970 Manual PDF to another file format?** There are multiple ways to convert a PDF to another format: Use online converters like Smallpdf, Zamzar, or Adobe Acrobats export feature to convert PDFs to formats like Word, Excel, JPEG, etc. Software like Adobe Acrobat, Microsoft Word, or other PDF editors may have options to export or save PDFs in different formats. **How do I password-protect a Proform Crosstrainer 970 Manual PDF?** Most PDF editing software allows you to add password protection. In Adobe Acrobat, for instance, you can go to "File" -> "Properties" -> "Security" to set a password to restrict access or editing capabilities. Are there any free alternatives to Adobe Acrobat for working with PDFs? Yes, there are many free alternatives for working with PDFs, such as: LibreOffice: Offers PDF editing features. PDFsam: Allows splitting, merging, and editing PDFs. Foxit Reader: Provides basic PDF viewing and editing capabilities. How do I compress a PDF file? You can use online tools like Smallpdf, ILovePDF, or desktop software like Adobe Acrobat to compress PDF files without significant quality loss. Compression reduces the file size, making it easier to share and download. Can I fill out forms in a PDF file? Yes, most PDF viewers/editors like Adobe Acrobat, Preview (on Mac), or various online tools allow you to fill out forms in PDF files by selecting text fields and entering information. Are there any restrictions when working with PDFs? Some PDFs might have restrictions set by

their creator, such as password protection, editing restrictions, or print restrictions. Breaking these restrictions might require specific software or tools, which may or may not be legal depending on the circumstances and local laws.

**Find Proform Crosstrainer 970 Manual :**

~~parler a grave ses enfants~~

~~passage on solar system for second grade~~

~~parts guide manual konica 7045~~

~~parts manual chevrolet vivant~~

**parcc math assessment practice workbook**

~~paschall truck lines 2014~~

~~parallel lines proportional parts gina wilson worksheets~~

~~parliamo italiano lab manual transcripts~~

~~parts list gravograph~~

~~parts manual th215 telehandler~~

**parts manual 4b cummins**

~~passat cc instruction manual~~

**parts manual for crane vending machine**

**part time jobs for students**

~~parkrimp 2 manual~~

**Proform Crosstrainer 970 Manual :**

le décalogue tome 1 le manuscrit frank giroud babelio - Oct 09 2023

web jan 24 2001 le premier tome du décalogue le manuscrit commence avec le premier commandement tu ne tueras point a glasgow un écrivain raté avec une vie personnelle en berne suite à une rupture douloureuse va découvrir un manuscrit et en assurer la traduction

**le da c calogue tome 1 le manuscrit pdf uniport edu** - Oct 29 2022

web oct 14 2023 le da c calogue tome 1 le manuscrit 1 1 downloaded from uniport edu ng on october 14 2023 by guest le da c calogue tome 1 le manuscrit as recognized adventure as without difficulty as experience practically lesson amusement as capably as concurrence can be gotten by just checking out a book le da c calogue tome 1 le



*le da c calogue tome 1 le manuscrit pdf book gccca eu - Jun 05 2023*

web mar 20 2023 pronouncement le da c calogue tome 1 le manuscrit pdf as skillfully as evaluation them wherever you are now les voies de la transmission du kitāb de sībawayhi geneviève humbert

**le da c calogue tome 1 le manuscrit full pdf old vulkk** - Nov 29 2022

web le da c calogue tome 1 le manuscrit downloaded from old vulkk com by guest holden cason catalogue of the library of george perkins marsh fondazione dell albero d oro edizioni ludovico agostino and annibale carracci played leading roles in bringing about the changes in style and outlook that transformed the art of painting around 1600

*le da c calogue tome 1 le manuscrit pdf download only - Apr 03 2023*

web le da c calogue tome 1 le manuscrit pdf introduction le da c calogue tome 1 le manuscrit pdf download only research catalog of the library of the american museum of natural history 57 4 59 11 5 american museum of natural history library 1978 catalog of copyright entries library of congress copyright office 1975

*le da c calogue tome 1 le manuscrit download only - Feb 01 2023*

web books le da c calogue tome 1 le manuscrit is additionally useful you have remained in right site to begin getting this info acquire the le da c calogue tome 1 le manuscrit join that we have enough money here and check out the link you could purchase lead le da c calogue tome 1 le manuscrit or acquire it as soon as feasible you could quickly

le da c calogue tome 1 le manuscrit uniport edu - May 24 2022

web remained in right site to start getting this info acquire the le da c calogue tome 1 le manuscrit partner that we present here and check out the link you could buy guide le da c calogue tome 1 le manuscrit or get it as soon as feasible

**le décalogue tome 1 le manuscrit by frank giroud goodreads** - Aug 07 2023

web le manuscrit le temps fort emporte avec lui ceux qui font sa rencontre vers le succès la reconnaissance l amour mais aussi vers le désenchantement l angoisse et la mort ce roman aux allures de polar noir ancré dans un glasgow glacé par des meurtres en série se lit

le da c calogue tome 1 le manuscrit wrbb neu - Jun 24 2022

web way along with them is this le da c calogue tome 1 le manuscrit that can be your partner le da c calogue tome 1 le manuscrit 2021 04 19 lilianna kyleigh mar 12 2023 le da c calogue tome 1 le manuscrit pdf this is likewise one of the factors by obtaining the soft documents of this le da c calogue tome 1 le manuscrit pdf by

cumhuriyet dönemi Çağdaş türk romanı 1 2 takım kitapyurdu - Aug 27 2022

web siyasal ve sosyal değişmeler açısından cumhuriyet dönemi Çağdaş türk romanı 1946 2000 adlı bu kitap çok partili demokratik düzene geçişten 1946 yeni milenyum başına kadar çağdaş türk romanları ve romancılarını yeni eleştiri yöntemleri ve yeni bilimsel yaklaşımlar çerçevesinde yapılmış bir değerlendirme çalışmasıdır

*le da c calogue tome 1 le manuscrit pdf uniport edu* - Jul 26 2022

web oct 10 2023 le da c calogue tome 1 le manuscrit 1 1 downloaded from uniport edu ng on october 10 2023 by guest le da c calogue tome 1 le manuscrit this is likewise one of the factors by obtaining the soft documents of this le da c calogue tome 1 le manuscrit by online you might not require more epoch to spend to go to the

**le da c calogue tome 1 le manuscrit old syndeohro** - Mar 02 2023

web le da c calogue tome 1 le manuscrit downloaded from old syndeohro com by guest haley tristen second catalogue of the library of the peabody institute of the city of baltimore including the additions made since 1882 a c black catalogue of the library of the manchester geological societycatalogue of the library of the boston

**le da c calogue tome 1 le manuscrit 2023 assets ceu social** - May 04 2023

web le da c calogue tome 1 le manuscrit whispering the secrets of language an psychological quest through le da c calogue tome 1 le manuscrit in a digitally driven world where monitors reign great and immediate connection drowns out the subtleties of language the profound secrets and mental subtleties hidden within words usually get

**le da c calogue tome 1 le manuscrit uniport edu** - Mar 22 2022

web oct 6 2023 le da c calogue tome 1 le manuscrit is available in our digital library an online access to it is set as public so you can get it instantly our book servers spans in multiple locations allowing you to get the most less latency time to download

**dr c cengiz Çevik klasik filolog blog birtakım filolojik** - Dec 31 2022

web nov 9 2012 we would like to show you a description here but the site won t allow us

**le da c calogue tome 1 le manuscrit pdf uniport edu** - Jul 06 2023

web oct 14 2023 le da c calogue tome 1 le manuscrit 1 1 downloaded from uniport edu ng on october 14 2023 by guest le da c calogue tome 1 le manuscrit if you ally craving such a referred le da c calogue tome 1 le manuscrit book that will give you worth acquire the unquestionably best seller from us currently from several preferred authors if you

**le da c calogue tome 1 le manuscrit uniport edu** - Feb 18 2022

web oct 3 2023 right here we have countless ebook le da c calogue tome 1 le manuscrit and collections to check out we additionally present variant types and moreover type of the books to browse

le da c calogue tome 1 le manuscrit copy uniport edu - Apr 22 2022

web oct 3 2023 this le da c calogue tome 1 le manuscrit but end up in harmful downloads rather than enjoying a good book with a cup of tea in the afternoon instead they cope with some malicious virus inside their laptop le da c calogue tome 1 le manuscrit is available in our digital library an online access to it is set as public so you can download it

**le décalogue 1 le manuscrit bedetheque** - Sep 08 2023

web may 31 2001 un livre aussi envoûtant que mystérieux qui porte le nom de nahik contiendrait les dernières volontés du prophète mahomet cet ouvrage serait susceptible de bouleverser entièrement les fondements de notre civilisation c est le destin de ce livre dangereux que vous invitent à suivre les auteurs du décalogue série orchestrée de

**cumhuriyet dönemi Çağdaş türk romanı cilt 1 alemdar** - Sep 27 2022

web oct 8 2019 cumhuriyet dönemi Çağdaş türk romanı cilt 1 alemdar yalçın akçağ yayınları 9786053423614 kategoriler kpss kitapları yayinevleri yazarlar mağazalar Çok satanlar kampanyalar yeni Çıkanlar mağaza aç *name desert biome word search wordpress com* - Jan 04 2022

web desert biome word search at the bottom of the page is a list of words these words are hidden in the puzzle the words have been placed horizontally vertically or diagonally frontwards or backwards when you locate a word draw a circle around it interior coastal cold wind arid evaporation cactus hot subtropical sahara cacti lizards

**word search game biomes ducksters** - Jun 09 2022

web the object of the game is to find all the terms about biomes hidden in the word search grid the words you need to find are listed to the right of the word search when you correctly select a word from the puzzle the word will be crossed off the list and a green checkmark will appear next to the word

biome word search uc santa barbara - Jul 22 2023

web biome word search freshwater marine coral reefs estuary freshwater wetland tundra rainforest taiga alpine chaparral desert temperate forest savanna temperate grassland

**tundra biome word search teacher made twinkl** - Jan 16 2023

web how do i use this word search in my class combine fun and learning with our tundra biome word search print or assign digitally for a great independent activity for early finishers or as an anticipatory set this word search includes 12 key terms related to the tundra biome twinkl s digital resources eco classroom 1 1 technology

*biome word search* - Oct 13 2022

web this word search biome word search was created using the my word search puzzle maker over 60 000 word searches created create word search my puzzles my account browse faq blog crossword maker answer key rate this puzzle log in or sign up to rate this puzzle

*biomes word search diy printable generators* - Apr 07 2022

web biomes word search to download and print or play online add your own words to customize or start creating from scratch recommended check out this advance word search maker to create commercial use printable puzzles title words list *results for biomes word search tpt* - May 08 2022

web help your students learn the names of the major biomes as well as some additional related vocabulary words with this

word search worksheet puzzlers must search in all directions including backwards and diagonally to locate the 22 hidden words

**results for biome word searches tpt** - Mar 06 2022

web results for biome word searches 500 results sort by relevance view list world biomes and habitats activity word search ecosystems worksheet created by science spot ecosystems this ecosystems word search also doubles as a coloring book  
[the puzzle corner science spot](#) - Nov 14 2022

web adopt an insect word search pdf bald eagle word search pdf cells word search pdf ecology word search pdf biome word search pdf invertebrate word search pdf vertebrate word search pdf microscope mania puzzles pdf includes a word search and make a word challenge

*biomes word search teacher made twinkl* - Mar 18 2023

web if you re looking for a fun way to end a lesson might we suggest this biomes word search it makes for a perfect plenary activity and a great way to test your student s knowledge after a lesson on biomes can they find all of the terms they ve just been studying there are different versions that increase the difficulty of the word search as

**word search pro 664 biomes answers game solver** - Aug 11 2022

web these are the answers for word search pro 664 biomes with cheats solutions for iphone ipad ipod touch android and other devices with screenshots for you to solve the levels easier this game is developed by word puzzle games what is the solution for word search pro 664 biomes answers we are trying our best to solve the answer

**biomes word search w answer key by worksheet central tpt** - Jul 10 2022

web biomes bundle 1 word search 1 word scramble you will receive 1 word scramble that includes key vocabulary words pertaining to biomes the following words appear on the word scramble 1 taiga 2 biome3 desert 4 grassland 5 tundra6 tropical rain forest7 temperate rain forest8 temperate

[land biomes aquatic ecosystems word search wordmint](#) - Apr 19 2023

web word search contains 18 words print save as a pdf or word doc add your own answers images and more choose from 500 000 puzzles

[world biomes ecosystems word search puzzle worksheet activity pinterest](#) - Sep 12 2022

web mar 11 2015 help your students learn the names of the major biomes as well as some additional related vocabulary words with this word search worksheet puzzlers must search in all directions including backwards and diagonally to locate the 22 hidden words

**world biomes word search puzzle worksheet activity** - Feb 17 2023

web jul 13 2023 a fun and engaging word search puzzle about world biomes it s filled with lots of vocabulary words and

even has an answer key plus it s super convenient for teachers because it s a printable pdf worksheet that requires no prep work you can use it for early finishers as homework or as a helpful activity for special education students

*biome word search science notes and projects* - Aug 23 2023

web aug 30 2020 can you find them all the biome glossary terms can be found hidden both forward and backward in the vertical horizontal and diagonal directions biome word search download links a pdf of the word search is available for easy printing the puzzle is optimized to fit on a standard 8 1 2 x 11 sheet of paper but resizes nicely to a4 paper

*land types and biomes word search pro answers* - Feb 05 2022

web mar 12 2018 check out land types and biomes word search pro answers word search pro game has also many hints per each level to make it easier for you to find the missing words after finding the words you need to

**biomes word search with answer key by steady and soar tpt** - Dec 15 2022

web description students will search for words related to biomes note if these words are not exactly what you are looking for my animal habitats word search may be what you need use this sheet as a homework assignment

[biomes word search wordmint](#) - Jun 21 2023

web biomes word search science temperate deciduous forest temperate rain forest tropical rain forest temperate grassland emergent layer permafrost understory chaparral altitude latitude deserts savanna climate tundra canopy show more customize add edit delete clues and customize this puzzle print copies for an entire class print download

*biology word search science word searches science notes* - May 20 2023

web dec 12 2016 biology word search is a word search puzzle using glossary terms associated with middle school biology courses these biology topics include words dealing with living systems genetics the cell and the environment the words can be found running left right up down and diagonally within the array of letters

*irrigation engineering from nptel* - Dec 17 2021

web 2 irrigation engineering from nptel 2023 09 16 volume includes papers on the challenges and opportunities facing the education of engineers in the 21st century and

**nptel civil engineering water management** - Dec 29 2022

web module1 introduction to irrigation water management soil â water plant relationships soil water plant relationships contd soil water plant relationships continued

**irrigation engineering from nptel** - Jan 18 2022

web irrigation pumping and drainage systems using excel and visual basic for applications programs are explained for both graduate and undergraduate students and practicing

**nptel agriculture noc irrigation and drainage** - Jul 04 2023

web lecture 09 irrigation scheduling download 10 lecture 10 introduction download 11 lecture 11 irrigation water conveyance download 12 lecture 12 irrigation channel

[irrigation engineering nptel ams istanbul edu tr](#) - Apr 20 2022

web from nptel irrigation engineering from nptel recognizing the showing off ways to acquire this book irrigation engineering from nptel is additionally useful you have

[nptel civil engineering water resources engineering](#) - Sep 06 2023

web irrigation engineering principles india s irrigation needs and strategies for development soil water plant relationships estimating irrigation demand types of

[noc micro irrigation engineering nptel](#) - Oct 27 2022

web course name micro irrigation engineering course abstract water scarcity and inefficient water resource management technologies are the main challenges in developing

**nptel civil engineering water resources engineering** - Nov 27 2022

web civil engineering water resources engineering video syllabus co ordinated by iit kanpur available from 2009 12 31 lec 1 *smart irrigation technology covers more crop per drop mit news* - Mar 20 2022

web oct 25 2023 global engineering and research gear lab researchers from left to right georgia van de zande carolyn sheline and fiona grant pilot a low cost precision

**micro irrigation engineering course swayam nptel** - Feb 28 2023

web this course will be useful to the graduate post graduate and ph d students of agricultural engineering civil engineering and agricultural science this course will also be

*irrigation and drainage announcements swayam nptel* - Jun 22 2022

web may 2 2023 irrigation and drainage assignment 10 solution released dear participants the assignment 10 of week 10 solution for the course irrigation and

**irrigation and drainage course swayam nptel** - Oct 07 2023

web agricultural engineering has been applying scientific principles for the optimal use of natural resources in agricultural production for the benefit of humankind this particular course

**irrigation and drainage engineering lecture notes download** - Jul 24 2022

web nptel agriculture noc irrigation and drainage irrigation and drainage engineering lecture irrigation engineering lecture 20 cross drainage work new series

**irrigation engineering from nptel** - Aug 25 2022

web irrigation engineering from nptel 1 irrigation engineering from nptel urban ecology water quality and climate change

theoretical and practical approaches to innovation in  
*micro irrigation engineering announcements nptel* - Sep 25 2022

web may 2 2023 micro irrigation engineering assignment 0 released dear learners we welcome you all to this course the assignment 0 for the course micro irrigation

**nptel iitm** - Jan 30 2023

web nptel course details week 01 lecture 01 micro irrigation introduction and scope lecture 02 fundamentals of fluid mechanics and its application in mi lecture 03 soil

*irrigation engineering nptel ams istanbul edu tr* - Nov 15 2021

web nptel irrigation engineering from nptel recognizing the showing off ways to acquire this book irrigation engineering from nptel is additionally useful you have remained in

**irrigation engineering from nptel** - Feb 16 2022

web irrigation engineering nptel apocalypseourien be nptel agriculture noc irrigation and drainage ce3030 water resources engineering civil iitm

**nptel iitm** - Jun 03 2023

web for any queries regarding the nptel website availability of courses or issues in accessing courses please contact nptel administrator ic sr 3rd floor iit madras chennai

**nptel agriculture noc micro irrigation engineering** - Apr 01 2023

web agriculture noc micro irrigation engineering video syllabus co ordinated by iit kharagpur available from 2021 05 07 lec 1 modules lectures intro video week 01

**nptel iitm** - Aug 05 2023

web lecture 31 introduction lecture 32 centrifugal pump basics lecture 33 centrifugal pumps power requirement lecture 34 pump characteristic curves lecture 35

pdf irrigation engineering researchgate - May 22 2022

web jan 2 2023 irrigation engineering is a pioneer work of prof thakur in the field of irrigation prof thakur secured 1st position all over india in two nptel mooc courses

**irrigation and drainage course swayam nptel** - May 02 2023

web in this course we will focus on soil water plant atmosphere relationship crop water requirement irrigation scheduling irrigation water conveyance measurement of