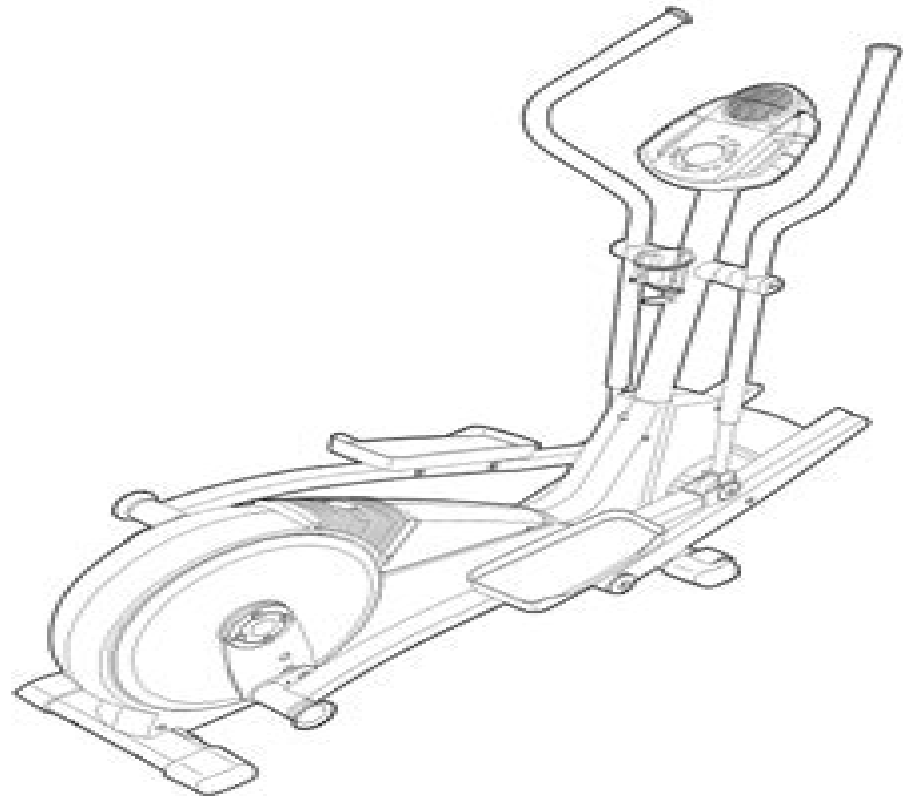
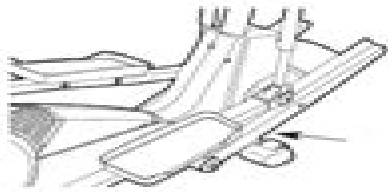


# PRO-FORM

## 820 PR



# Proform 820 Elliptical Manual

**AW Rasmussen**



## **Proform 820 Elliptical Manual:**

This is likewise one of the factors by obtaining the soft documents of this **Proform 820 Elliptical Manual** by online. You might not require more epoch to spend to go to the book introduction as well as search for them. In some cases, you likewise do not discover the proclamation Proform 820 Elliptical Manual that you are looking for. It will definitely squander the time.

However below, in imitation of you visit this web page, it will be consequently unquestionably easy to acquire as without difficulty as download lead Proform 820 Elliptical Manual

It will not recognize many mature as we accustom before. You can reach it even though bill something else at house and even in your workplace. thus easy! So, are you question? Just exercise just what we provide under as competently as review **Proform 820 Elliptical Manual** what you in imitation of to read!

<https://crm.avenza.com/files/detail/Documents/saxon%20math%20student%20edition.pdf>

## **Table of Contents Proform 820 Elliptical Manual**

1. Understanding the eBook Proform 820 Elliptical Manual
  - The Rise of Digital Reading Proform 820 Elliptical Manual
  - Advantages of eBooks Over Traditional Books
2. Identifying Proform 820 Elliptical Manual
  - Exploring Different Genres
  - Considering Fiction vs. Non-Fiction
  - Determining Your Reading Goals
3. Choosing the Right eBook Platform
  - Popular eBook Platforms
  - Features to Look for in an Proform 820 Elliptical Manual
  - User-Friendly Interface
4. Exploring eBook Recommendations from Proform 820 Elliptical Manual
  - Personalized Recommendations

- Proform 820 Elliptical Manual User Reviews and Ratings
- Proform 820 Elliptical Manual and Bestseller Lists
- 5. Accessing Proform 820 Elliptical Manual Free and Paid eBooks
  - Proform 820 Elliptical Manual Public Domain eBooks
  - Proform 820 Elliptical Manual eBook Subscription Services
  - Proform 820 Elliptical Manual Budget-Friendly Options
- 6. Navigating Proform 820 Elliptical Manual eBook Formats
  - ePub, PDF, MOBI, and More
  - Proform 820 Elliptical Manual Compatibility with Devices
  - Proform 820 Elliptical Manual Enhanced eBook Features
- 7. Enhancing Your Reading Experience
  - Adjustable Fonts and Text Sizes of Proform 820 Elliptical Manual
  - Highlighting and Note-Taking Proform 820 Elliptical Manual
  - Interactive Elements Proform 820 Elliptical Manual
- 8. Staying Engaged with Proform 820 Elliptical Manual
  - Joining Online Reading Communities
  - Participating in Virtual Book Clubs
  - Following Authors and Publishers Proform 820 Elliptical Manual
- 9. Balancing eBooks and Physical Books Proform 820 Elliptical Manual
  - Benefits of a Digital Library
  - Creating a Diverse Reading Collection Proform 820 Elliptical Manual
- 10. Overcoming Reading Challenges
  - Dealing with Digital Eye Strain
  - Minimizing Distractions
  - Managing Screen Time
- 11. Cultivating a Reading Routine Proform 820 Elliptical Manual
  - Setting Reading Goals Proform 820 Elliptical Manual
  - Carving Out Dedicated Reading Time
- 12. Sourcing Reliable Information of Proform 820 Elliptical Manual
  - Fact-Checking eBook Content of Proform 820 Elliptical Manual

- Distinguishing Credible Sources
- 13. Promoting Lifelong Learning
  - Utilizing eBooks for Skill Development
  - Exploring Educational eBooks
- 14. Embracing eBook Trends
  - Integration of Multimedia Elements
  - Interactive and Gamified eBooks

### **Proform 820 Elliptical Manual Introduction**

In this digital age, the convenience of accessing information at our fingertips has become a necessity. Whether its research papers, eBooks, or user manuals, PDF files have become the preferred format for sharing and reading documents. However, the cost associated with purchasing PDF files can sometimes be a barrier for many individuals and organizations. Thankfully, there are numerous websites and platforms that allow users to download free PDF files legally. In this article, we will explore some of the best platforms to download free PDFs. One of the most popular platforms to download free PDF files is Project Gutenberg. This online library offers over 60,000 free eBooks that are in the public domain. From classic literature to historical documents, Project Gutenberg provides a wide range of PDF files that can be downloaded and enjoyed on various devices. The website is user-friendly and allows users to search for specific titles or browse through different categories. Another reliable platform for downloading Proform 820 Elliptical Manual free PDF files is Open Library. With its vast collection of over 1 million eBooks, Open Library has something for every reader. The website offers a seamless experience by providing options to borrow or download PDF files. Users simply need to create a free account to access this treasure trove of knowledge. Open Library also allows users to contribute by uploading and sharing their own PDF files, making it a collaborative platform for book enthusiasts. For those interested in academic resources, there are websites dedicated to providing free PDFs of research papers and scientific articles. One such website is Academia.edu, which allows researchers and scholars to share their work with a global audience. Users can download PDF files of research papers, theses, and dissertations covering a wide range of subjects. Academia.edu also provides a platform for discussions and networking within the academic community. When it comes to downloading Proform 820 Elliptical Manual free PDF files of magazines, brochures, and catalogs, Issuu is a popular choice. This digital publishing platform hosts a vast collection of publications from around the world. Users can search for specific titles or explore various categories and genres. Issuu offers a seamless reading experience with its user-friendly interface and allows users to download PDF files for offline reading. Apart from dedicated platforms, search engines also play a crucial role in finding free PDF files. Google, for instance, has an advanced

search feature that allows users to filter results by file type. By specifying the file type as "PDF," users can find websites that offer free PDF downloads on a specific topic. While downloading Proform 820 Elliptical Manual free PDF files is convenient, its important to note that copyright laws must be respected. Always ensure that the PDF files you download are legally available for free. Many authors and publishers voluntarily provide free PDF versions of their work, but its essential to be cautious and verify the authenticity of the source before downloading Proform 820 Elliptical Manual. In conclusion, the internet offers numerous platforms and websites that allow users to download free PDF files legally. Whether its classic literature, research papers, or magazines, there is something for everyone. The platforms mentioned in this article, such as Project Gutenberg, Open Library, Academia.edu, and Issuu, provide access to a vast collection of PDF files. However, users should always be cautious and verify the legality of the source before downloading Proform 820 Elliptical Manual any PDF files. With these platforms, the world of PDF downloads is just a click away.

## **FAQs About Proform 820 Elliptical Manual Books**

1. Where can I buy Proform 820 Elliptical Manual books? Bookstores: Physical bookstores like Barnes & Noble, Waterstones, and independent local stores. Online Retailers: Amazon, Book Depository, and various online bookstores offer a wide range of books in physical and digital formats.
2. What are the different book formats available? Hardcover: Sturdy and durable, usually more expensive. Paperback: Cheaper, lighter, and more portable than hardcovers. E-books: Digital books available for e-readers like Kindle or software like Apple Books, Kindle, and Google Play Books.
3. How do I choose a Proform 820 Elliptical Manual book to read? Genres: Consider the genre you enjoy (fiction, non-fiction, mystery, sci-fi, etc.). Recommendations: Ask friends, join book clubs, or explore online reviews and recommendations. Author: If you like a particular author, you might enjoy more of their work.
4. How do I take care of Proform 820 Elliptical Manual books? Storage: Keep them away from direct sunlight and in a dry environment. Handling: Avoid folding pages, use bookmarks, and handle them with clean hands. Cleaning: Gently dust the covers and pages occasionally.
5. Can I borrow books without buying them? Public Libraries: Local libraries offer a wide range of books for borrowing. Book Swaps: Community book exchanges or online platforms where people exchange books.
6. How can I track my reading progress or manage my book collection? Book Tracking Apps: Goodreads, LibraryThing, and Book Catalogue are popular apps for tracking your reading progress and managing book collections. Spreadsheets:

You can create your own spreadsheet to track books read, ratings, and other details.

7. What are Proform 820 Elliptical Manual audiobooks, and where can I find them? Audiobooks: Audio recordings of books, perfect for listening while commuting or multitasking. Platforms: Audible, LibriVox, and Google Play Books offer a wide selection of audiobooks.
8. How do I support authors or the book industry? Buy Books: Purchase books from authors or independent bookstores. Reviews: Leave reviews on platforms like Goodreads or Amazon. Promotion: Share your favorite books on social media or recommend them to friends.
9. Are there book clubs or reading communities I can join? Local Clubs: Check for local book clubs in libraries or community centers. Online Communities: Platforms like Goodreads have virtual book clubs and discussion groups.
10. Can I read Proform 820 Elliptical Manual books for free? Public Domain Books: Many classic books are available for free as they're in the public domain. Free E-books: Some websites offer free e-books legally, like Project Gutenberg or Open Library.

## Find Proform 820 Elliptical Manual :

**saxon math student edition**

*scag tiger cub wiring diagram*

saxon math 87 2nd edition homeschool packet

~~savoyard les histoires extraordinaires de mon grandpegrave~~

saxon math 8 7 solution manual

saxon math course 3 solutions manual

scania 124l manual

save manual opel astra g repair manual

**scarlett red in the shadows 2**

*saudi arabian kabob recipe*

scarlet letter study guide questions answer key

saxon math 2nd grade

sauratra uni bsc sem5 pepars

sc hazmat endorsement study guide

sbi exam papers question



**Proform 820 Elliptical Manual :**

**perancangan mekanisme mesin pencetak batu bata merah** - Jun 29 2023

web dengan proses perancangan mengacu pada metode pahl dan beitz diharapkan diperoleh suatu rancangan mekanisme mesin pencetak batu bata merah yang sederhana perawatannya mudah dan relatif murah serta menghasilkan batu bata merah sebanyak 8 buah menit dengan daya listrik 2 hp

perancangan mekanisme mesin pencetak batu bata merah - Apr 27 2023

web aug 1 2012 dengan proses perancangan mengacu pada metode pahl dan beitz diharapkan diperoleh suatu rancangan mekanisme mesin pencetak batu bata merah yang sederhana perawatannya mudah dan relatif murah serta menghasilkan batu bata merah sebanyak 8 buah menit dengan daya listrik 2 hp

**perancangan mekanisme mesin pencetak batu bata merah** - Sep 20 2022

web 2 perancangan mekanisme mesin pencetak batu bata merah 2019 11 20 and parks developed through diverse means and in a variety of settings the book examines world famous and lesser known parks including the early parks of coney island madrid s movieworld a series of world fairs and their luxurious exhibition

**1 salahuddin junus januar fery irawan3 abstract** - Feb 23 2023

web gambar 1 rangka mesin pencetak bata merah mesin pengaduk menggunakan mekanisme ulir berputar tuas horisontal yang dihubungkan ke poros vertikal dengan sistem zigzag akan membuat tanah liat dan bahan penyusun lainnya bisa tercampur secara merata kemudian tanah liat dimasukkan ke mesin pencetak bata merah

**perancangan mekanisme mesin pencetak batu bata merah** - May 17 2022

web may 6 2023 getting this info get the perancangan mekanisme mesin pencetak batu bata merah link that we allow here and check out the link you could purchase lead perancangan mekanisme mesin pencetak batu bata merah or acquire it as soon as feasible you could quickly download this perancangan mekanisme mesin pencetak

perancangan mekanisme mesin pencetak batu bata merah - Sep 01 2023

web dengan proses perancangan mengacu pada metode pahl dan beitz diharapkan diperoleh suatu rancangan mekanisme mesin pencetak batu bata merah yang sederhana perawatannya mudah dan relatif murah serta menghasilkan batu bata merah sebanyak 8 buah menit dengan daya listrik 2 hp kata kunci mekanisme geneva metoda

*perancangan mesin pengaduk mixer bahan batu bata merah* - Nov 22 2022

web dalam perancangan ini akan menghasilkan suatu mesin pengaduk yang dapat menghasilkan 960 buah bahan batu bata merah selama 8 jam kerja dengan kapasitas pembebanan 20 buah bahan batu bata merah perproses kata kunci metoda perancangan mesin pengaduk batubata

*perancangan alat pembuat bata merah kapasitas 6000 bata* - Jul 31 2023

web feb 8 2023 perancangan alat pencetak batu bata merah ini ditemukan hasil bahwa untuk diameter poros dengan daya 17 652 kw adalah 30 mm nomor nominal sabuk v menggunakan no 75 l1905 mm bahan

perancangan mekanisme mesin pencetak batu bata merah - Mar 15 2022

web perancangan mekanisme mesin pencetak batu bata merah and numerous ebook collections from fictions to scientific research in any way accompanied by them is this perancangan mekanisme mesin pencetak batu bata merah that can be your partner

**perancangan mekanisme mesin pencetak batu bata merah** - Jul 19 2022

web getting the books perancangan mekanisme mesin pencetak batu bata merah now is not type of inspiring means you could not and no one else going past books buildup or library or borrowing from your associates to contact them this is an unconditionally simple means to specifically acquire lead by on line this online pronouncement perancangan

**rancang bangun mesin pencetak bata merah** - Dec 24 2022

web perancangan bangun mesin pencetak bata merah juga bertujuan untuk merancang dan membuat alat bagian statis mesin pencetak bata merah untuk home industri dalam pembuatan bata yang berasal dari tanah liat untuk pembuatan bata tanah liat yang sudah di campur dengan air dan campuran lain nya kemudian di cetak dengan mesin

**perancangan mekanisme mesin pencetak batu bata merah pdf** - Jun 17 2022

web perancangan mekanisme mesin pencetak batu bata merah 1 perancangan mekanisme mesin pencetak batu bata merah fundamentals of metal machining and machine tools human dimension and interior space principles of digital design seismic evaluation of existing buildings fitting the task to the human fifth edition quantum learning

*analisis statik struktur mesin pencetak batu bata merah* - Oct 22 2022

web langkah langkah dalam proses ini adalah meliputi penentuan jenis permasalahan study define penentuan jenis material material define pembentukan jaring jaring elemen dan titik nodal meshing penentuan jenis tumpuan restraint pemberian beban load dan tahap analisis analysis

**perancangan mekanisme mesin pencetak batu bata merah** - Apr 15 2022

web perancangan mekanisme mesin pencetak batu bata merah downloaded from admin store motogp com by guest franklin kylan theatre planning andrews mcmeel pub a comprehensive manual of the world s gemstones and includes more than 1 400 examples opposite each illustration this text provides a description of the particular

*peningkatan efisiensi biaya produksi bata merah melalui* - Jan 25 2023

web jul 4 2022 salah satu solusi untuk meningkatkan kapasitas produksi adalah melalui penggunaan teknologi inovatif produksi bata merah diantaranya adalah mesin pencetak bata otomatis dan mesin

**perancangan mekanisme mesin pencetak batu bata merah** - Feb 11 2022

web perancangan mekanisme mesin pencetak batu bata merah 3 3 appraisers taxpayers students reformers government officials adopted as the official assessment manual by many states a readable authoritative text covers valuation methods used by private appraisers by assessors addresses tax policy management issues related to

**perancangan mekanisme mesin pencetak batu bata merah** - Oct 02 2023

web dengan proses perancangan mengacu pada metode pahl dan beitz diharapkan diperoleh suatu rancangan mekanisme mesin pencetak batu bata merah yang sederhana perawatannya mudah dan relatif murah serta menghasilkan batu bata merah sebanyak 8 buah menit dengan daya listrik 2 hp

**perancangan alat pembuat bata merah kapasitas 6000 bata** - May 29 2023

web berdasarkan hasil perancangan alat pencetak batu bata merah ini ditemukan hasil bahwa untuk diameter poros dengan daya 17 652 kw adalah 30 mm nomor nominal sabuk v menggunakan no 75

*rancang bangun mesin pencetak bata untuk meningkatkan* - Mar 27 2023

web rancang bangun mesin pencetak bata untuk meningkatkan kapasitas produksi pada paguyuban pengrajin bata merah kalisat jember mahros darsin1 salahuddin junus 2 januar fery irawan 3 1 2 3 dosen fakultas teknik universitas jember jl kalimantan 37 kampus tegal boto jember 68121

*perancangan mekanisme mesin pencetak batu bata merah* - Aug 20 2022

web perancangan mekanisme mesin pencetak batu bata merah 3 3 rollins phillips theme park crc press the experience of the past decade since the publication of the first edition of the rules of work a practical engineering guide to ergonomics proves just how central ergonomics is for effective production revised and updated to

**gold experience 2nd edition pearson** - Oct 25 2022

web gold first practice test free download as pdf file pdf or read online for free fce practice test 2015

**5 free practice tests online pdf b2 first fce** - Sep 04 2023

web oct 7 2023 level b2 exam b2 first practice article navigation b2 first fce practice online use of english tests b2 first fce practice online reading tests b2 first

*b2 first cambridge english* - Nov 25 2022

web gold experience 2nd edition the most engaging experience in teaching cambridge exams to teens gold experience 2nd edition is a new edition of the fast paced course that

**b2 first certificate fce cambridge exams guide to english** - Dec 27 2022

web juilliard b2 first formerly known as cambridge english first fce is one of our cambridge english qualifications it is our most popular exam accepted by thousands of

**b2 first for schools preparation cambridge english** - Mar 18 2022

web valid scores on the fce exam range from 140 to 190 a score of 160 or above is considered a pass and students with that score will receive the cambridge first certificate which

*fce exam free practice test samples and examples* - Mar 30 2023

web home english language teaching exams fce fce gold plus fce gold plus new for the december 2008 exam gold plus is the updated edition of gold the trusted exam

*fce gold practice exams pdf scribd* - May 20 2022

web fce gold practice exams keys download pdf report upload jose roman murillo view 11 226 download 2 111

b2 first preparation cambridge english - Oct 05 2023

web prepare for the b2 first fce exam with sample papers online practice tests games and video tips for your exam day computer and paper based practice

**gold first first certificate gold sciarium** - Jun 20 2022

web fce gold practice exams free download as pdf file pdf or read online for free

cambridge first certificate in english fce about the exam - Aug 23 2022

web new gold first providing everything students need to prepare for the cambridge english first exam this new edition retains all the winning features of our bestselling fce

**fce gold practice exams keys pdf scribd** - Aug 03 2023

web fce gold practice exams keys free download as pdf file pdf or read online for free fce

fcegoldpracticeexams cyberlab sutd edu sg - Jun 01 2023

web the first certificate gold practice exams consist of a set of five practice exams which are free standing in line with the exact specifications of the revised cambridge exam and

*pdf fce gold practice exams keys dokumen tips* - Apr 18 2022

web test train is an easy to use practice tool to help you get ready for your b2 first for schools exam through short sharp workouts with over 500 practice questions you can

**b2 first fce practice tests b2 first exam preparation** - Jul 02 2023

web practice tests sample exam questions and tips to prepare candidates for cambridge b2 first exam formerly known as fce first certificate english

**gold first practice test pdf scribd** - Sep 23 2022

web you can do the b2 first fce exam on a computer or on paper score score a b c pass d e or u fail 180 190 grade a c1 173 179 grade b b2 160 172

**b2 first first certificate in english examination esl** - Apr 30 2023

web cambridge english first 1 for revised exam student s book with answers authentic examination papers see in uk reading and use of english for first fce see in

*fce gold plus pearson* - Feb 26 2023

web free practice tests for learners of english fce grammar test difficulty level b2 upper intermediate this activity helps with the following grammar points that you need to

**fce grammar free practice test exam english** - Jan 28 2023

web the cambridge english b2 first exam previously known as the fce exam or the cambridge first certificate is designed for students with upper intermediate english

**pearsonelt com exams place fce** - Jul 22 2022

web apr 2 2019 provides exam practice in exam format with strategies and guidance includes one complete practice test for timed practice in the run up to the exam

**b2 first certificate fce cambridge exams guide to english** - Feb 14 2022

*cengagenowv2 completing course assignments youtube* - Jun 03 2023

web jul 22 2015 this student resource video covers completing course assignments in cengagenowv2 for more information visit cengage com dcs

**using the assignments page cengagenow** - Nov 27 2022

web the answer key automatically provides the following information clicking this link opens a page identical to the assignment creation wizard where you can edit the assignment s name start due dates content and assignment options assignment content cannot be modified once a student has started a take

[cengagenow accounting answer key free pdf download](#) - Apr 20 2022

web apr 26 2023 if you are looking for the cengagenow accounting answer key you ve come to the right place click here to get access to the answer key

*get 100 accurate cengage answer keys and cengage homework answers* - Feb 28 2023

web sep 7 2022 in such situations students need experts who can take care of their assignments and give their best creative savants has a team of qualified tutors who can help you secure cengage answer keys and score good grades in cengage courses moreover you can also get sam cengage homework answers and mindtap answers

**cengagenow answer key free pdf download minedit** - Mar 20 2022

web apr 26 2023 if you are looking for the cengagenow answer key you ve come to the right place download the answer key pdf for free

[answer keys cengage](#) - May 02 2023

web answer keys assignments question feedback depending on how your instructor set up the assignment you might be able to see answer keys indicated with the key icon in the assignment the answer key indicates a correct answer provided by the question but might not be the only acceptable answer

[cengagenow](#) - May 22 2022

web we would like to show you a description here but the site won't allow us

**textbook answers gradesaver** - Jul 04 2023

web home textbook answers find textbook answers and solutions browse cengage learning isbn 978 1 13394 964 0 chemistry an introduction to general organic and biological chemistry 12th edition timberlake karen c publisher prentice hall isbn 978 0

**cengage answers get 1 cengage homework answer key** - Jun 22 2022

web cengage answers get 1 cengage homework answer key cengage answers get the best cengage answers homework help in usa 100 confidential money back guarantee on time delivery rated 4.9/5 a grades in assignments 50 subjects 1000 course experts 24x7 support get a free quote now request a free quote subject

**worked solutions cengage** - Sep 25 2022

web worked solutions some questions provide a worked solution that shows how the correct answer is obtained depending on how your instructor set up the assignment the solution might be shown only after the assignment due date is passed or after you have used all of your submissions the solution cannot display without the answer key nor can it

*how to find the answer key for cnow based assignments in mindtap* - Sep 06 2023

web jun 9 2020 this video details how to find the answer key for cnow based assignments in mindtap it also goes over finding problem codes eliminating questions and reporting questions that need revision

**answer questions cengage** - Apr 01 2023

web multiple choice select the correct answer matching connect related pieces of information to each other click an item from each column to create a line between them true false decide whether a statement is true or false select the correct answer was this helpful there are many different question types in cnowv2 assignments

**view cnow answer keys cengage** - Oct 07 2023

web view the correct answers for cnow activities click cnow click print next to any activity printing options window displays select form and click print the answer key displays in a new window was this helpful view the correct answers for cnow activities

**a complete guide to secure 100 reliable cengage mindtap answers** - Feb 16 2022

web sep 12 2022 so all those learners who waste their time and money in getting cengage answer keys online must resort to

safer and less risky means read more get 100 accurate cengage answer keys and cengage homework answers remember that not all online academic writing agencies or test experts offer reliable and authentic cengage

*cnovv2 cengage* - Jan 30 2023

web cengage cnovv2 deliver online homework with interactive questions just in time assessment remediation and etextbook access cnovv2 foster student readiness with cnovv2 close the gap between homework and exam performance cnovv2 prepares accounting and tax students for success in the classroom and beyond find a cnovv2

**view answer keys cengage** - Aug 05 2023

web click an activity in the learning path turn on show correct answers view aplia answer keys view the correct answers for aplia activities view cnov answer keys view the correct answers for cnov activities view the correct answers for

[cengage answers hub expert solutions for students](#) - Oct 27 2022

web are you in search of the elusive cengage learning answer key look no further our tutors have the answer key that will provide you with the solutions you need to succeed don t let outdated resources hold you back get the answers you need right here

**cengagenovv2 online teaching and learning resource from cengage** - Jul 24 2022

web get connected get support created with your every need in mind tlc provides information on cengagenovv2 and offers flexible training to prepare you for the first day of class right through final exams

[view sam project answer keys cengage](#) - Dec 29 2022

web click click sam assignments locate a project assignment and click click the file under solution file to download it to your computer open the solution file view the correct answers for sam projects

*financial accounting cengage notes and answers studocu* - Aug 25 2022

web 3 750 000 100 000 150 000 3 500 financial accounting cengage notes and answers for assignment explains the breakdown of how to get the answer to the question cengage revenue capital stock