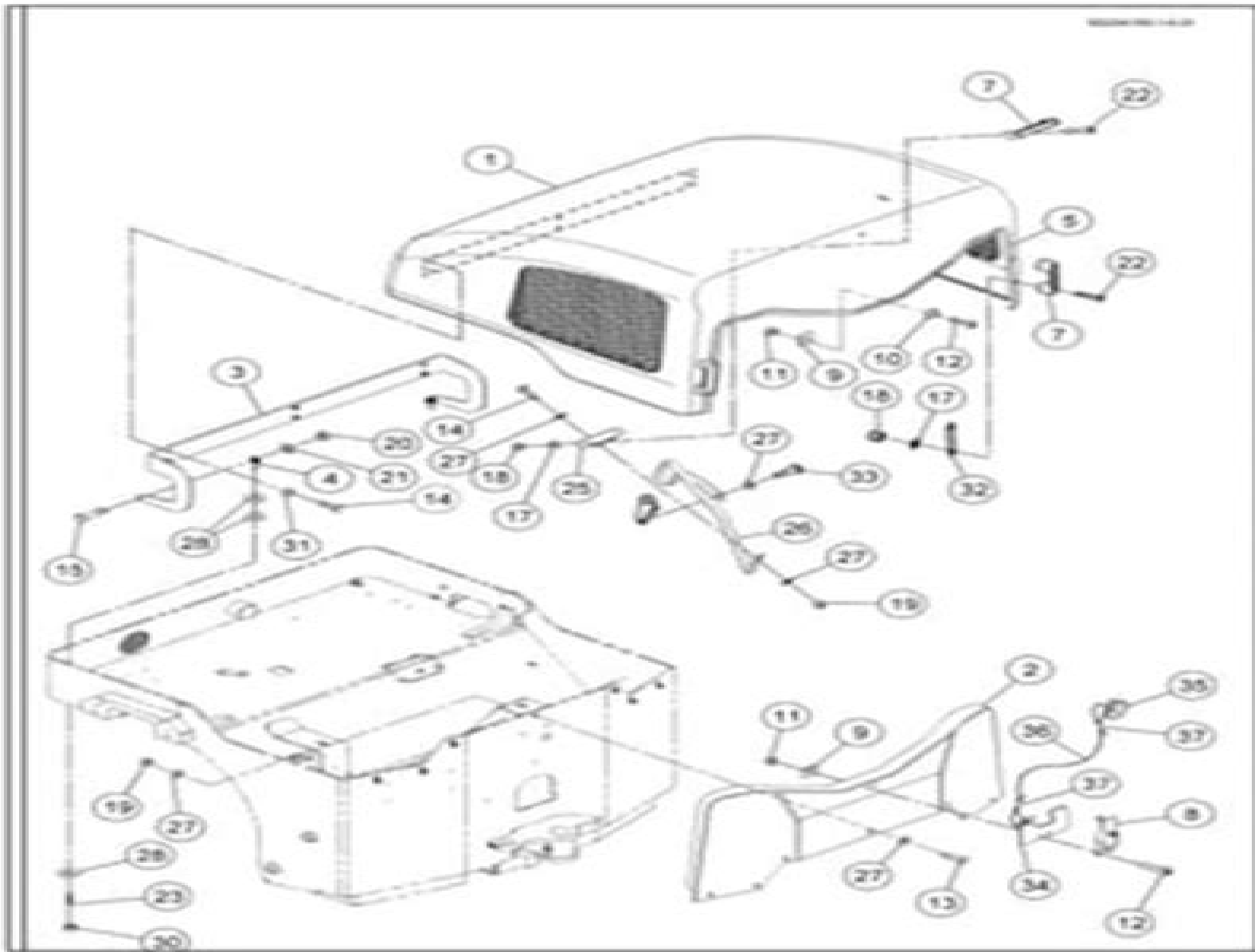


# HOOD AND TRIM INSTALLATION (CONTINUED)

Illustration 1-4



# Parts Manual Ingersoll Rand Sd100d

**Motor (New York, N.Y.)**



## **Parts Manual Ingersoll Rand Sd100d:**

**California Farmer** ,1998    **Master Parts Manual** Tecumseh Products Company. Engine and Gear Service Division,1982    **Chilton's 1986 Labor Guide and Parts Manual** Chilton Book Company,1985-12-01 Lists parts numbers and their prices for American automobiles includes specifications for each vehicle and provides time estimates for tune ups and repairs    *Motor's Flat Rate and Parts Manual. 41st Edition* L. C. Forier (ed),1969    Motor's Flat Rate and Parts Manual Harold Frederick Blanchard,1954    **Motor's Flat Rate and Parts Manual** Motor (New York, N.Y.),1968  
*Chilton's Labor Guide and Parts Manual* ,1974    **Motor's Flat Rate and Parts Manual** Motor,1967    **Chilton's Labor Guide and Parts Manual** Chilton Book Company,1974    **Course for the Auto Parts Manual** California. Bureau of Industrial Education. Instructional Materials Laboratory,1952    *Chilton's Flat Rate and Parts Manual* ,1962  
**Chilton's Motor/age Labor Guide and Parts Manual** ,    **Chilton's Nineteen Eighty-One Labor Guide and Parts Manual** Chilton Automotive Books,1981-01-01    *Suzuki Carry Da63t English Factory Parts Manual* James Danko,2014-11-15 Suzuki Carry DA63T English Factory Parts Manual Over 360 pages of illustrations and part numbers for every part on the Suzuki DA63T Truck A must for repairing your Suzuki DA63T series vehicle Easy to use broken down into six easy to read sections Engine Transmission Driveline Electrical components Suspension Brakes Body Chassis and Air Conditioning Includes component replacement labor times for repair garages All vehicle option parts included in this handy manual A must have for the professional to rebuild components locate parts or reference for all components on the DA63T You can also order parts by following the links in the back of the book    **OMC Parts Manual** ,19??

Recognizing the way ways to acquire this ebook **Parts Manual Ingersoll Rand Sd100d** is additionally useful. You have remained in right site to begin getting this info. acquire the Parts Manual Ingersoll Rand Sd100d associate that we have the funds for here and check out the link.

You could buy lead Parts Manual Ingersoll Rand Sd100d or get it as soon as feasible. You could quickly download this Parts Manual Ingersoll Rand Sd100d after getting deal. So, next you require the book swiftly, you can straight get it. Its so categorically simple and in view of that fats, isnt it? You have to favor to in this spread

<https://crm.avenza.com/files/scholarship/HomePages/Origine%20Du%20Nom%20De%20Famille%20Courtes%20Oeuvres%20Courtes.pdf>

## **Table of Contents Parts Manual Ingersoll Rand Sd100d**

1. Understanding the eBook Parts Manual Ingersoll Rand Sd100d
  - The Rise of Digital Reading Parts Manual Ingersoll Rand Sd100d
  - Advantages of eBooks Over Traditional Books
2. Identifying Parts Manual Ingersoll Rand Sd100d
  - Exploring Different Genres
  - Considering Fiction vs. Non-Fiction
  - Determining Your Reading Goals
3. Choosing the Right eBook Platform
  - Popular eBook Platforms
  - Features to Look for in an Parts Manual Ingersoll Rand Sd100d
  - User-Friendly Interface
4. Exploring eBook Recommendations from Parts Manual Ingersoll Rand Sd100d
  - Personalized Recommendations
  - Parts Manual Ingersoll Rand Sd100d User Reviews and Ratings
  - Parts Manual Ingersoll Rand Sd100d and Bestseller Lists

5. Accessing Parts Manual Ingersoll Rand Sd100d Free and Paid eBooks
  - Parts Manual Ingersoll Rand Sd100d Public Domain eBooks
  - Parts Manual Ingersoll Rand Sd100d eBook Subscription Services
  - Parts Manual Ingersoll Rand Sd100d Budget-Friendly Options
6. Navigating Parts Manual Ingersoll Rand Sd100d eBook Formats
  - ePub, PDF, MOBI, and More
  - Parts Manual Ingersoll Rand Sd100d Compatibility with Devices
  - Parts Manual Ingersoll Rand Sd100d Enhanced eBook Features
7. Enhancing Your Reading Experience
  - Adjustable Fonts and Text Sizes of Parts Manual Ingersoll Rand Sd100d
  - Highlighting and Note-Taking Parts Manual Ingersoll Rand Sd100d
  - Interactive Elements Parts Manual Ingersoll Rand Sd100d
8. Staying Engaged with Parts Manual Ingersoll Rand Sd100d
  - Joining Online Reading Communities
  - Participating in Virtual Book Clubs
  - Following Authors and Publishers Parts Manual Ingersoll Rand Sd100d
9. Balancing eBooks and Physical Books Parts Manual Ingersoll Rand Sd100d
  - Benefits of a Digital Library
  - Creating a Diverse Reading Collection Parts Manual Ingersoll Rand Sd100d
10. Overcoming Reading Challenges
  - Dealing with Digital Eye Strain
  - Minimizing Distractions
  - Managing Screen Time
11. Cultivating a Reading Routine Parts Manual Ingersoll Rand Sd100d
  - Setting Reading Goals Parts Manual Ingersoll Rand Sd100d
  - Carving Out Dedicated Reading Time
12. Sourcing Reliable Information of Parts Manual Ingersoll Rand Sd100d
  - Fact-Checking eBook Content of Parts Manual Ingersoll Rand Sd100d
  - Distinguishing Credible Sources
13. Promoting Lifelong Learning

- Utilizing eBooks for Skill Development
  - Exploring Educational eBooks
14. Embracing eBook Trends
- Integration of Multimedia Elements
  - Interactive and Gamified eBooks

### **Parts Manual Ingersoll Rand Sd100d Introduction**

In this digital age, the convenience of accessing information at our fingertips has become a necessity. Whether its research papers, eBooks, or user manuals, PDF files have become the preferred format for sharing and reading documents. However, the cost associated with purchasing PDF files can sometimes be a barrier for many individuals and organizations. Thankfully, there are numerous websites and platforms that allow users to download free PDF files legally. In this article, we will explore some of the best platforms to download free PDFs. One of the most popular platforms to download free PDF files is Project Gutenberg. This online library offers over 60,000 free eBooks that are in the public domain. From classic literature to historical documents, Project Gutenberg provides a wide range of PDF files that can be downloaded and enjoyed on various devices. The website is user-friendly and allows users to search for specific titles or browse through different categories. Another reliable platform for downloading Parts Manual Ingersoll Rand Sd100d free PDF files is Open Library. With its vast collection of over 1 million eBooks, Open Library has something for every reader. The website offers a seamless experience by providing options to borrow or download PDF files. Users simply need to create a free account to access this treasure trove of knowledge. Open Library also allows users to contribute by uploading and sharing their own PDF files, making it a collaborative platform for book enthusiasts. For those interested in academic resources, there are websites dedicated to providing free PDFs of research papers and scientific articles. One such website is Academia.edu, which allows researchers and scholars to share their work with a global audience. Users can download PDF files of research papers, theses, and dissertations covering a wide range of subjects. Academia.edu also provides a platform for discussions and networking within the academic community. When it comes to downloading Parts Manual Ingersoll Rand Sd100d free PDF files of magazines, brochures, and catalogs, Issuu is a popular choice. This digital publishing platform hosts a vast collection of publications from around the world. Users can search for specific titles or explore various categories and genres. Issuu offers a seamless reading experience with its user-friendly interface and allows users to download PDF files for offline reading. Apart from dedicated platforms, search engines also play a crucial role in finding free PDF files. Google, for instance, has an advanced search feature that allows users to filter results by file type. By specifying the file type as "PDF," users can find websites that offer free PDF downloads on a specific topic. While downloading Parts Manual Ingersoll Rand Sd100d free PDF files is

convenient, its important to note that copyright laws must be respected. Always ensure that the PDF files you download are legally available for free. Many authors and publishers voluntarily provide free PDF versions of their work, but its essential to be cautious and verify the authenticity of the source before downloading Parts Manual Ingersoll Rand Sd100d. In conclusion, the internet offers numerous platforms and websites that allow users to download free PDF files legally. Whether its classic literature, research papers, or magazines, there is something for everyone. The platforms mentioned in this article, such as Project Gutenberg, Open Library, Academia.edu, and Issuu, provide access to a vast collection of PDF files. However, users should always be cautious and verify the legality of the source before downloading Parts Manual Ingersoll Rand Sd100d any PDF files. With these platforms, the world of PDF downloads is just a click away.

### **FAQs About Parts Manual Ingersoll Rand Sd100d Books**

How do I know which eBook platform is the best for me? Finding the best eBook platform depends on your reading preferences and device compatibility. Research different platforms, read user reviews, and explore their features before making a choice. Are free eBooks of good quality? Yes, many reputable platforms offer high-quality free eBooks, including classics and public domain works. However, make sure to verify the source to ensure the eBook credibility. Can I read eBooks without an eReader? Absolutely! Most eBook platforms offer web-based readers or mobile apps that allow you to read eBooks on your computer, tablet, or smartphone. How do I avoid digital eye strain while reading eBooks? To prevent digital eye strain, take regular breaks, adjust the font size and background color, and ensure proper lighting while reading eBooks. What the advantage of interactive eBooks? Interactive eBooks incorporate multimedia elements, quizzes, and activities, enhancing the reader engagement and providing a more immersive learning experience. Parts Manual Ingersoll Rand Sd100d is one of the best book in our library for free trial. We provide copy of Parts Manual Ingersoll Rand Sd100d in digital format, so the resources that you find are reliable. There are also many Ebooks of related with Parts Manual Ingersoll Rand Sd100d. Where to download Parts Manual Ingersoll Rand Sd100d online for free? Are you looking for Parts Manual Ingersoll Rand Sd100d PDF? This is definitely going to save you time and cash in something you should think about.

### **Find Parts Manual Ingersoll Rand Sd100d :**

[origine du nom de famille courtes oeuvres courtes](#)

**[origine du nom de famille dolle oeuvres courtes](#)**

[origine du nom de famille barth oeuvres courtes](#)

*origine du nom de famille cunat oeuvres courtes*

*origine du nom de famille delpy oeuvres courtes*

*origine du nom de famille caillol oeuvres courtes*

**origine du nom de famille le lay oeuvres courtes**

*origine du nom de famille chaumette oeuvres courtes*

*origine du nom de famille couffin oeuvres courtes*

*origine du nom de famille guillas oeuvres courtes*

*origine du nom de famille de smedtou desmedt oeuvres courtes*

**origine du nom de famille guilloton oeuvres courtes**

**origine du nom de famille chevassu oeuvres courtes**

*origine du nom de famille charuel oeuvres courtes*

**origine du nom de famille brianccedilon oeuvres courtes**

### **Parts Manual Ingersoll Rand Sd100d :**

**etf suche 2023 die besten etf fonds im vergleich und test** - Jul 21 2022

web mar 2 2015 branchen anlagestrategie wer einen aktienfonds kaufen will hat die qual der wahl mehr als 3000 waren 2013 in deutschland zum verkauf zugelassen

**etf auswählen wie finde ich den richtigen etf finanz heldinnen** - Apr 17 2022

web juli 2019 wie finde ich den richtigen etf ich zeige dir wie du gute etfs finden kannst etfs bieten viele vorteile sie sind günstig meistens besser als investmentfonds und

*etf empfehlung 2023 die besten etf im Überblick finanzfluss* - Apr 29 2023

web sep 4 2023 finanztip zieht die sogenannten börsengehandelten indexfonds etfs den aktiv verwalteten aktienfonds vor etfs sind einfach günstig transparent und

*die richtige etf auswahl tipps und tricks justetf* - Feb 25 2023

web du kannst etfs an der börse kaufen etwa auf xetra oder tradegate etfs die in europa zugelassen sind tragen das kürzel ucits im namen dieses kürzel zeigt an dass der

*die besten branchen etfs 2023 justetf* - Nov 12 2021

web was sind fonds wenn von fonds die rede ist wird damit meist nicht der allgemeine oberbegriff gemeint unter den auch indexfonds wie etfs fallen würden sondern

**faq fonds und etf so finden sie den passenden fonds** - Aug 22 2022



web nov 23 2015 8 7 fazit es kommt auf die richtige mischung an wer die richtige entscheidung trifft verringert das verlustisiko dieser artikel beschreibt wie sie mit

**etf kaufen die besten etf fonds finanz net** - May 19 2022

web jul 26 2022 schritt 1 die strategie schritt 2 der richtige index schritt 3 etfs finden schritt 4 verlässliche etfs finden schritt 5 die richtige abbildungsmethode schritt 6

**wie finde ich die besten etfs und investmentfonds** - Jul 01 2023

web etf suche wie finde ich die besten etfs es gibt eine große auswahl an exchange traded funds börsengehandelte indexfonds die an der deutschen börse xetra

etf suche und etf vergleiche justetf - May 31 2023

web jan 6 2023 so gehst du vor nutze die filterfunktion in unserer etf suche um den richtigen etf für dich zu finden bevor du anfängst solltest du dich entscheiden

**etf finder finde den passenden etf für dein depot finanztip** - Aug 02 2023

web wie finde ich die besten etfs und investmentfonds alles über arten auswahl streuung chancen rendite und kosten sander beate isbn 9783959721738

*was sind etfs die besten indexfonds im vergleich finanztip* - Oct 24 2022

web oct 13 2021 us30 eur usd brent gold aktienfonds finanzwerte die besten fonds und etfs seit anfang 2021 in erwartung steigender zinsen legten

**finanzwerte die besten fonds und etfs seit anfang 2021** - Sep 22 2022

web may 17 2023 finanztest bewertet regel mäßig aktiv gemanagte fonds und etf die ergebnisse finden sie im produktfinder fonds geben sie auf der start seite des

beste etfs für anfänger 2023 welche empfehlungen gibt es - Dec 14 2021

web vergleichen sie die besten branchen etfs 2023 auf einen blick die aktuell beste rendite von 126 55 zeigt der mvis global digital assets equity index füge einen etf

aktienfonds wie finde ich einen guten aktienfond finanztip - Jun 19 2022

web ein etf exchange traded fund ist ein investmentfonds der an der börse gehandelt wird eine spezielle etf börse gibt es aber nicht etfs heißen auch indexfonds weil

fonds und etf im vergleich die besten für ihr portfolio - Oct 04 2023

web oct 30 2023 fonds und etf im vergleich hier finden sie die besten fonds für ihr portfolio 29 09 2023 1623 8183 artikel testergebnisse produktfinder fonds fondsbeobachter für einsteiger und experten 23 202 fonds mit kennzahlen und

**etf empfehlung 2023 die besten etfs für dein depot** - Sep 03 2023

web jan 2 2023 vorab haben wir für dich eine liste der besten etf depotanbieter mit ihren vor und nachteilen  
zusammengefasst scalable capital prime broker größte

**aktienfonds einfach erklärt definition vorteile risiken minimieren** - Jan 15 2022

web jan 30 2023 1 schritt du benötigst ein wertpapier depot 2 schritt ist ein sparplan oder eine einmalanlage besser 3  
schritt welcher aktienfonds eignet sich allgemein zum

*etf sparplan vergleich die besten etfs zum* - Mar 29 2023

web 1 bestimme den anlagefokus bevor du mit der auswahl eines konkreten etf beginnst musst du zunächst deinen  
anlagefokus zu bestimmen das heißt entscheide dich für

gute etfs finden mit dem 8 schritte plan so geht s aktienrebell - Mar 17 2022

web beim etf vergleich erhalten sie in for mationen zu mehr als 1 000 etfs die es in deutschland zu kaufen gibt wir zeigen  
ihnen welche begriffe sie beim fondssparen

**die besten etfs 2023 justetf** - Dec 26 2022

web wie finde ich die besten etfs und investmentfonds alles über arten auswahl streuung chancen rendite und kosten  
hardcover 432 seiten erschienen februar

etf vergleich 2023 die besten indexfonds im vergleich - Feb 13 2022

web oct 23 2023 und wie finde ich den passenden aktienfonds für mich unser Überblick für fonds anfänger aktienfonds und  
etfs können sie am besten auf portalen im

wie finde ich die besten etfs und investmentfonds - Nov 24 2022

web sep 4 2023 den etf vergleich mit passenden fonds zu deinem depot findest du in unserem etf finder zum etf finder  
investiere entweder einen größeren betrag in

*etf vergleich wie du die besten exchange traded funds* - Jan 27 2023

web 51 rows auf unserer seite findest du aktuelle informationen über alle broker angebote und die besten etf sparpläne  
weitere informationen zum thema etfs findest du in der

etf vs fonds was ist besser finanzfluss - Oct 12 2021

**kids love pennsylvania a parent s guide to exploring fun** - Jun 05 2022

web mar 22 2023 kids love pennsylvania a parent s guide to explori is available in our digital library an online access to it is  
set as public so you can download it instantly

**9780966345728 kids love pennsylvania a parent s guide to** - Dec 11 2022

web kids love pennsylvania a parent s guide to exploring fun places in pennsylvania with children year rould zavatsky george

zavatsky michele on amazon com au  
kids love pennsylvania a parent s guide to explori cynthia - May 04 2022

kids love pennsylvania a parent s guide to - Jul 18 2023

web kids love pennsylvania a parent s guide to exploring fun places in pennsylvania with children year round george zavatsky michele zavatsky kids love

**kids love pennsylvania a parent s guide to exploring fun** - Apr 15 2023

web kids love pennsylvania a parent s guide to exploring fun places in pennsylvania with children year round zavatsky george zavatsky michele 9780972685412

**kids love pennsylvania a parent s guide to exploring fun places** - Sep 20 2023

web kids love pennsylvania a parent s guide to exploring fun places in pennsylvania with children year round by zavatsky george

**kids love pennsylvania a parent s guide to exploring fun** - Jun 17 2023

web kids love pennsylvania a parent s guide to exploring fun places in pennsylvania with children year round zavatsky george zavatsky michele amazon in books

*kids love pennsylvania a family travel guide to* - Nov 10 2022

web kids love pennsylvania a parent s guide to exploring fun places in pennsylvania with children year round by zavatsky george zavatsky michele isbn 10

**kids love pennsylvania a parents guide to exploring fun** - Aug 07 2022

web buy kids love pennsylvania a parent s guide to exploring fun places in pennsylvania with children year round by george zavatsky michele zavatsky

**kids love pennsylvania a parent s guide to exploring fun** - Aug 19 2023

web jan 1 2000 kids love pennsylvania a parent s guide to exploring fun places in pennsylvania with children year rould zavatsky george zavatsky michele on

**kids love pennsylvania a parent s guide to exploring fun** - Feb 13 2023

web kids love pennsylvania a parent s guide to exploring fun places in pennsylvania with children year round worldcat org

**kids love pennsylvania a parent s guide to exploring fun** - Mar 14 2023

web kids love pennsylvania a parent s guide to exploring fun places in pennsylvania with children year round zavatsky george zavatsky michele on amazon com au

**kids love pennsylvania a parent s guide to explori 2023** - Apr 03 2022

**kids love pennsylvania a parent s guide to exploring fun** - Oct 09 2022

web buy kids love pennsylvania a parents guide to exploring fun places in pennsylvania with children year round by george zavatsky michele zavatsky online at alibris we

**kids love pennsylvania a parent s guide to exploring fun places** - Jan 12 2023

web abebooks com kids love pennsylvania a parent s guide to exploring fun places in pennsylvania with children year rould 9780966345728 by zavatsky george

*kids love pennsylvania a family travel guide to exploring kid* - Jul 06 2022

web just invest little time to gain access to this on line broadcast kids love pennsylvania a parent s guide to explori as without difficulty as evaluation them wherever you are

**kids love pennsylvania a parent s guide to exploring fun** - Sep 08 2022

web the authors and kids personally visited all of the most unique pl kids love pennsylvania a family travel guide to exploring kid tested places in

**kids love pennsylvania a parent s guide to exploring fun** - May 16 2023

web kids love pennsylvania a parent s guide to exploring fun places in pennsylvania with children year round george zavatsky michele zavatsky kids love

esas voces más allá de la locución spanish edition - Jul 06 2023

web feb 6 2018 buy esas voces más allá de la locución spanish edition read books reviews amazon com

**esas voces más allá de la locución libro pdf erik bravo** - Jul 26 2022

web una exploración detallada del rol del locutor en radio televisión doblaje publicidad y nuevas tecnologías que abarcan el extenso mundo de la locución esas voces más

**esas voces mas alla de la locucion spanish editio hubert l** - Jun 24 2022

web esas voces mas alla de la locucion spanish editio when people should go to the book stores search creation by shop shelf by shelf it is it will definitely ease you to look

*esas voces más allá de la locución by erik bravo* - Dec 31 2022

web apr 3 2018 los secretos de la locución o el voice over son expuestos de manera precisa por erik bravo respaldado por su sólida trayectoria como locutor de español neutro

**esas voces más allá de la locución spanish edition** - Sep 08 2023

web esas voces más allá de la locución es el título del libro que erik publicó en 2018 una obra que contempla aspectos muy específicos de la profesión del locutor y amplía el

**esas voces más allá de la locución amazon com au** - Sep 27 2022

web esas voces más allá de la locución bravo erik vargas lugo alejandro martinez polo juan carlos on amazon com au free shipping on eligible orders

[esas voces más allá de la locución spanish edition](#) - Jun 05 2023

web esas voces más allá de la locución spanish edition erik bravo martinez polo juan carlos vargas lugo alejandro amazon com mx libros

**esas voces más allá de la locución by erik bravo** - Oct 29 2022

web feb 6 2018 una exploración detallada del rol del locutor en radio televisión doblaje publicidad y nuevas tecnologías que abarcan el extenso mundo de la locución 217

[esas voces más allá de la locución erik bravo google books](#) - Mar 02 2023

web los secretos de la locución o el voice over son expuestos de manera precisa por erik bravo respaldado por su sólida trayectoria como locutor de español neutro llevándonos

**esas voces más allá de la locución spanish edition** - Nov 29 2022

web esas voces más allá de la locución spanish edition ebook bravo erik martinez polo juan vargas lugo alejandro amazon in kindle store

**esas voces más allá de la locución erik bravo google books** - Aug 07 2023

web jan 17 2018 esas voces más allá de la locución los secretos de la locución o el voice over son expuestos de manera precisa por erik bravo respaldado por su sólida

[amazon com au customer reviews esas voces más allá](#) - Aug 27 2022

web find helpful customer reviews and review ratings for esas voces más allá de la locución spanish edition at amazon com read honest and unbiased product

[esas voces más allá de la locución spanish edition](#) - Apr 03 2023

web amazon com esas voces más allá de la locución spanish edition ebook bravo erik martinez polo juan vargas lugo alejandro libros

**esas voces más allá de la locución spanish edition** - Feb 01 2023

web abebooks com esas voces más allá de la locución spanish edition 9781977014047 by bravo erik and a great selection of similar new used and

[voces del mas alla vhs mercadolibre](#) - Mar 22 2022

web envíos gratis en el día comprá voces del mas alla vhs en cuotas sin interés conocé nuestras increíbles ofertas y promociones en millones de productos

**esas voces más allá de la locución spanish edition** - Oct 09 2023

web jan 17 2018 esas voces más allá de la locución spanish edition bravo erik martinez polo juan carlos vargas lugo alejandro on amazon com free

**esas voces spanish translator** - Apr 22 2022

web translate esas voces see spanish english translations with audio pronunciations examples and word by word explanations

*esas voces más allá de la locución amazon es* - May 04 2023

web de erik bravo autor juan carlos martinez polo ilustrador alejandro vargas lugo prólogo 5 0 7 valoraciones ver todos los formatos y ediciones los secretos de la

esas voces mas alla de la locucion spanish editio isabel - May 24 2022

web it is your categorically own get older to put on an act reviewing habit along with guides you could enjoy now is esas voces mas alla de la locucion spanish editio below actas