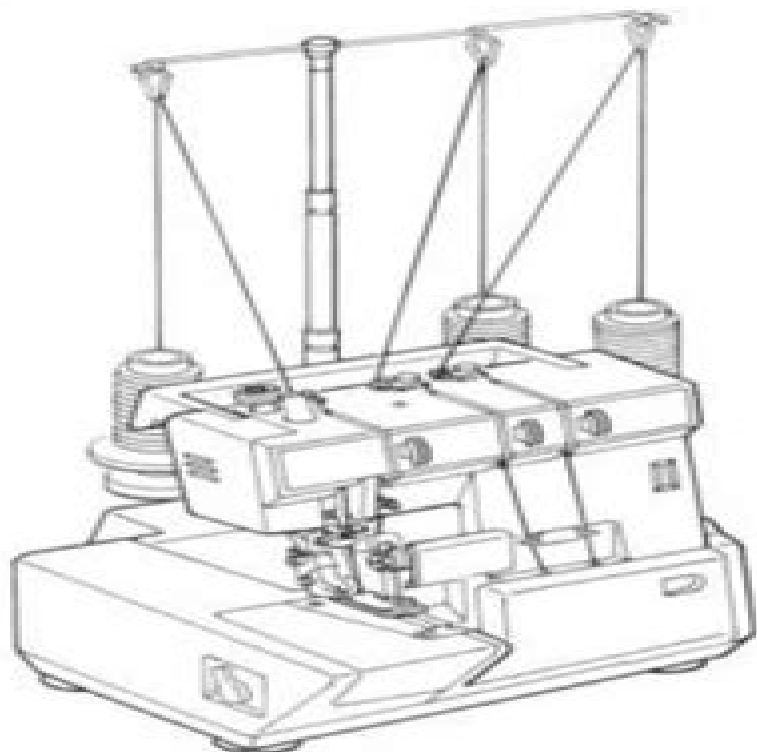




RICCAR®

INSTRUCTION MANUAL



ONE NEEDLE, THREE THREAD

Serger

MODEL **RICCAR®** LOCK RL 603

Riccar Serger Guide

Michael Brown



Riccar Serger Guide:

Discover tales of courage and bravery in is empowering ebook, Stories of Fearlessness: **Riccar Serger Guide** . In a downloadable PDF format (PDF Size: *), this collection inspires and motivates. Download now to witness the indomitable spirit of those who dared to be brave.

https://crm.avenza.com/files/uploaded-files/HomePages/Reteaching_Activity_Expansion_In_Texas_Answers.pdf

Table of Contents Riccar Serger Guide

1. Understanding the eBook Riccar Serger Guide
 - The Rise of Digital Reading Riccar Serger Guide
 - Advantages of eBooks Over Traditional Books
2. Identifying Riccar Serger Guide
 - Exploring Different Genres
 - Considering Fiction vs. Non-Fiction
 - Determining Your Reading Goals
3. Choosing the Right eBook Platform
 - Popular eBook Platforms
 - Features to Look for in an Riccar Serger Guide
 - User-Friendly Interface
4. Exploring eBook Recommendations from Riccar Serger Guide
 - Personalized Recommendations
 - Riccar Serger Guide User Reviews and Ratings
 - Riccar Serger Guide and Bestseller Lists
5. Accessing Riccar Serger Guide Free and Paid eBooks
 - Riccar Serger Guide Public Domain eBooks
 - Riccar Serger Guide eBook Subscription Services
 - Riccar Serger Guide Budget-Friendly Options
6. Navigating Riccar Serger Guide eBook Formats

- ePub, PDF, MOBI, and More
 - Riccar Serger Guide Compatibility with Devices
 - Riccar Serger Guide Enhanced eBook Features
7. Enhancing Your Reading Experience
 - Adjustable Fonts and Text Sizes of Riccar Serger Guide
 - Highlighting and Note-Taking Riccar Serger Guide
 - Interactive Elements Riccar Serger Guide
 8. Staying Engaged with Riccar Serger Guide
 - Joining Online Reading Communities
 - Participating in Virtual Book Clubs
 - Following Authors and Publishers Riccar Serger Guide
 9. Balancing eBooks and Physical Books Riccar Serger Guide
 - Benefits of a Digital Library
 - Creating a Diverse Reading Collection Riccar Serger Guide
 10. Overcoming Reading Challenges
 - Dealing with Digital Eye Strain
 - Minimizing Distractions
 - Managing Screen Time
 11. Cultivating a Reading Routine Riccar Serger Guide
 - Setting Reading Goals Riccar Serger Guide
 - Carving Out Dedicated Reading Time
 12. Sourcing Reliable Information of Riccar Serger Guide
 - Fact-Checking eBook Content of Riccar Serger Guide
 - Distinguishing Credible Sources
 13. Promoting Lifelong Learning
 - Utilizing eBooks for Skill Development
 - Exploring Educational eBooks
 14. Embracing eBook Trends
 - Integration of Multimedia Elements
 - Interactive and Gamified eBooks

Riccar Serger Guide Introduction

In this digital age, the convenience of accessing information at our fingertips has become a necessity. Whether its research papers, eBooks, or user manuals, PDF files have become the preferred format for sharing and reading documents. However, the cost associated with purchasing PDF files can sometimes be a barrier for many individuals and organizations. Thankfully, there are numerous websites and platforms that allow users to download free PDF files legally. In this article, we will explore some of the best platforms to download free PDFs. One of the most popular platforms to download free PDF files is Project Gutenberg. This online library offers over 60,000 free eBooks that are in the public domain. From classic literature to historical documents, Project Gutenberg provides a wide range of PDF files that can be downloaded and enjoyed on various devices. The website is user-friendly and allows users to search for specific titles or browse through different categories. Another reliable platform for downloading Riccar Serger Guide free PDF files is Open Library. With its vast collection of over 1 million eBooks, Open Library has something for every reader. The website offers a seamless experience by providing options to borrow or download PDF files. Users simply need to create a free account to access this treasure trove of knowledge. Open Library also allows users to contribute by uploading and sharing their own PDF files, making it a collaborative platform for book enthusiasts. For those interested in academic resources, there are websites dedicated to providing free PDFs of research papers and scientific articles. One such website is Academia.edu, which allows researchers and scholars to share their work with a global audience. Users can download PDF files of research papers, theses, and dissertations covering a wide range of subjects. Academia.edu also provides a platform for discussions and networking within the academic community. When it comes to downloading Riccar Serger Guide free PDF files of magazines, brochures, and catalogs, Issuu is a popular choice. This digital publishing platform hosts a vast collection of publications from around the world. Users can search for specific titles or explore various categories and genres. Issuu offers a seamless reading experience with its user-friendly interface and allows users to download PDF files for offline reading. Apart from dedicated platforms, search engines also play a crucial role in finding free PDF files. Google, for instance, has an advanced search feature that allows users to filter results by file type. By specifying the file type as "PDF," users can find websites that offer free PDF downloads on a specific topic. While downloading Riccar Serger Guide free PDF files is convenient, its important to note that copyright laws must be respected. Always ensure that the PDF files you download are legally available for free. Many authors and publishers voluntarily provide free PDF versions of their work, but its essential to be cautious and verify the authenticity of the source before downloading Riccar Serger Guide. In conclusion, the internet offers numerous platforms and websites that allow users to download free PDF files legally. Whether its classic literature, research papers, or magazines, there is something for everyone. The platforms mentioned in this article, such as Project Gutenberg, Open Library, Academia.edu, and Issuu, provide access to a vast collection of PDF files. However, users should always be cautious

and verify the legality of the source before downloading Riccar Serger Guide any PDF files. With these platforms, the world of PDF downloads is just a click away.

FAQs About Riccar Serger Guide Books

What is a Riccar Serger Guide PDF? A PDF (Portable Document Format) is a file format developed by Adobe that preserves the layout and formatting of a document, regardless of the software, hardware, or operating system used to view or print it. **How do I create a Riccar Serger Guide PDF?** There are several ways to create a PDF: Use software like Adobe Acrobat, Microsoft Word, or Google Docs, which often have built-in PDF creation tools. Print to PDF: Many applications and operating systems have a "Print to PDF" option that allows you to save a document as a PDF file instead of printing it on paper. Online converters: There are various online tools that can convert different file types to PDF. **How do I edit a Riccar Serger Guide PDF?** Editing a PDF can be done with software like Adobe Acrobat, which allows direct editing of text, images, and other elements within the PDF. Some free tools, like PDFescape or Smallpdf, also offer basic editing capabilities. **How do I convert a Riccar Serger Guide PDF to another file format?** There are multiple ways to convert a PDF to another format: Use online converters like Smallpdf, Zamzar, or Adobe Acrobats export feature to convert PDFs to formats like Word, Excel, JPEG, etc. Software like Adobe Acrobat, Microsoft Word, or other PDF editors may have options to export or save PDFs in different formats. **How do I password-protect a Riccar Serger Guide PDF?** Most PDF editing software allows you to add password protection. In Adobe Acrobat, for instance, you can go to "File" -> "Properties" -> "Security" to set a password to restrict access or editing capabilities. Are there any free alternatives to Adobe Acrobat for working with PDFs? Yes, there are many free alternatives for working with PDFs, such as: LibreOffice: Offers PDF editing features. PDFsam: Allows splitting, merging, and editing PDFs. Foxit Reader: Provides basic PDF viewing and editing capabilities. How do I compress a PDF file? You can use online tools like Smallpdf, ILovePDF, or desktop software like Adobe Acrobat to compress PDF files without significant quality loss. Compression reduces the file size, making it easier to share and download. Can I fill out forms in a PDF file? Yes, most PDF viewers/editors like Adobe Acrobat, Preview (on Mac), or various online tools allow you to fill out forms in PDF files by selecting text fields and entering information. Are there any restrictions when working with PDFs? Some PDFs might have restrictions set by their creator, such as password protection, editing restrictions, or print restrictions. Breaking these restrictions might require specific software or tools, which may or may not be legal depending on the circumstances and local laws.

Find Riccar Serger Guide :

reteaching activity expansion in texas answers

[review and reinforce respiration answer](#)

retina ryan 5th edition

return to paradise english edition

[retail sales trainer training manual](#)

restaurant operations manual excel template

respiratory system bogglesworld answers

respironics inspiration elite manual

restorative christ jesus justice and discipleship

[retail shoes training manual](#)

review sheet 38 digestive system diagram

resources dbt manual

[return to new hope the clemmons family story book iii](#)

[response to literature essay example 6th grade](#)

reverses english edition

Riccar Serger Guide :

carmen learns english hardcover midtown reader - Jun 01 2022

web brightly illustrated by pura belpré honor illustrator angela dominguez carmen learns english explores the frustrations and triumphs of a young immigrant learning a new language and celebrates the ways in which we learn from one another

carmen learns english judy cox google books - Jan 28 2022

web carmen who speaks only spanish knows she must be brave her teacher s spanish is muy terrible but with a little encouragement from la senora carmen teaches the class spanish words and

carmen learns english paperback june 1 2011 amazon com - Aug 03 2022

web jun 1 2011 carmen who speaks only spanish knows she must be brave her teacher s spanish is muy terrible but with a little encouragement from la senora carmen teaches the class spanish words and numbers and she in turn learns english from her new friends

carmen learns english iccal - Dec 27 2021

web jul 27 2010 her teacher s spanish is muy terrible but with a little encouragement from la senora carmen teaches the class spanish words and numbers and she in turn learns english from her new friends this book has been included in wow s language and learning children s and young adult fiction booklist

carmen learns english by judy cox publishers weekly - Sep 04 2022

web carmen learns english judy cox illus by angela dominguez holiday house 16 95 32p isbn 978 0 8234 2174 9 the frustrations of starting school as the only spanish speaking student come

carmen learns english by judy cox open library - Jul 02 2022

web carmen learns english by judy cox 2010 holiday house edition in english 1st ed

carmen learns english amazon com - Apr 11 2023

web dec 7 2021 brightly illustrated by pura belpré honor illustrator angela dominguez carmen learns english explores the frustrations and triumphs of a young immigrant learning a new language and celebrates the ways in which we learn from one another

carmen learns english book read aloud for youtube - Mar 30 2022

web carmen learns english book read aloud for children amandmpmstorytime 15 5k subscribers subscribe share 2 7k views 4 years ago carmen learns english book read aloud for

carmen learns english penguin random house - Jun 13 2023

web about carmen learns english the first day of school can be scary especially when no one else speaks your language carmen wishes she was back in mexico where everyone spoke spanish and she didn t stand out but a little bravery a loving family and a compassionate determined teacher help carmen find her way

carmen learns english amazon com - May 12 2023

web jul 1 2010 starting school is scary for carmen who has just arrived in the u s from mexico but with the help of la señora coska her kind teacher she starts to learn english the colorful illustrations in ink watercolor and acrylic paint show carmen both happy at home and then struggling with worries at school

carmen learns english rif org reading is fundamental - Mar 10 2023

web jan 1 2010 carmen learns english written by judy cox and illustrated by angela dominguez carmen wishes she was back in mexico where everyone spoke spanish and she didn t stand out but a little bravery a loving family and a compassionate determined teacher help carmen find her way

carmen learns english cox judy 9780823421749 abebooks - Apr 30 2022

web carmen learns english hardcover cox judy 3 7 avg rating 137 ratings by goodreads hardcover isbn 10 0823421740 isbn 13 9780823421749 publisher

carmen learns english reading rockets - Aug 15 2023

web fiction age level 3 6 format beginning chapter book find this book isbn 9780823421749 purchase on bookshop purchase on amazon starting school can be especially frightening if you don t yet speak english but carmen is determined to learn english well in order to teach her little sister

[carmen learns english kirkus reviews](#) - Feb 26 2022

web aug 1 2010 carmen learns english by judy cox illustrated by angela dominguez release date aug 1 2010 an inventive teacher and a generous helping of internal strength takes spanish speaking carmen over the

carmen learns english judy cox google books - Feb 09 2023

web jul 1 2010 carmen learns english judy cox holiday house jul 1 2010 juvenile fiction 32 pages the first day of school can be scary especially when no one else speaks your language carmen wishes

[carmen learns english by judy cox youtube](#) - Oct 05 2022

web aug 23 2022 carmen learns english by judy cox leopold the therapy dog 2 316 subscribers subscribe 9 share 1 2k views 8 months ago carmen does not speak english when she begins school find out why

carmen learns english holiday house - Dec 07 2022

web carmen learns english educator s guide featuring classroom activities and suggestions for further exploration the reviews are in this charming celebration of bilingualism captures both the fears and delights of learning a new tongue school library journal

[carmen learns english paperback barnes noble](#) - Nov 06 2022

web dec 7 2021 overview the first day of school can be scary especially when no one else speaks your language carmen wishes she was back in mexico where everyone spoke spanish and she didn t stand out but a little bravery a loving family and a compassionate determined teacher help carmen find her way

[carmen learns english by judy cox goodreads](#) - Jul 14 2023

web jul 1 2010 carmen learns english judy cox angela n dominguez illustrator 3 71 139 ratings45 reviews the first day of school can be scary especially when no one else speaks your language carmen wishes she was back in mexico where everyone spoke spanish and she didn t stand out

[carmen learns english penguin random house retail](#) - Jan 08 2023

web dec 7 2021 brightly illustrated by pura belpré honor illustrator angela dominguez carmen learns english explores the frustrations and triumphs of a young immigrant learning a new language and celebrates the ways in which we learn from one another

thebadtemperedladybird slideshare - Feb 09 2023

web check out our interactive series of lesson plans worksheets powerpoints and assessment tools today all teacher made aligned with the australian curriculum

207 top the bad tempered ladybird powerpoint teaching - Aug 15 2023

web ks1 keywords on skunk to support teaching on the bad tempered ladybird a z alphabet on lobster to support teaching on the bad tempered ladybird explore

the bad tempered ladybird pdf google sheets - Oct 05 2022

web this fab vocabulary poster includes all of the key words from the story of the bad tempered ladybird with an image for each great as a discussion prompt or spelling

207 top the bad tempered ladybird powerpoint teaching - Nov 25 2021

bad tempered ladybird collaborative learning - Dec 27 2021

the bad tempered ladybird st monica s catholic - Jul 14 2023

web but just then a bad tempered ladybird flew in from the right it too saw the aphids and wanted them for breakfast good morning said the friendly ladybird go away

the bad tempered ladybird primary efl resources - Mar 30 2022

web recently viewed and downloaded recently viewed recently downloaded

results for the bad tempered ladybird tpt - Oct 25 2021

the bad tempered ladybird resource pack - Jun 13 2023

web 242 top the bad tempered ladybird powerpoint teaching resources curated for you short story sequencing to support teaching on the bad tempered ladybird 4 7 3

223 top bad tempered ladybird teaching resources curated - Jun 01 2022

web browse bad tempered ladybird resources on teachers pay teachers a marketplace trusted by millions of teachers for original educational resources

653 top the bad tempered ladybird powerpoint teaching - Mar 10 2023

web this all about ladybirds powerpoint contains 10 slides packed with fascinating facts and interesting information about ladybirds that students can read and learn about as part of

all about ladybirds minibeast facts powerpoint twinkl - Jan 08 2023

web instant access to inspirational lesson plans schemes of work assessment interactive activities resource packs

powerpoints teaching ideas and more at twinkl

the bad tempered ladybird teaching resources - Sep 04 2022

web the bad tempered ladybird activities the bad tempered ladybird story the bad tempered ladybird the bad tempered ladybird powerpoint ladybird template ladybird sunday

vocabulary poster to support teaching on the bad tempered - Jul 02 2022

web collection inlibrary printdisabled internetarchivebooks contributor internet archive language english 38 unnumbered pages 18 cm originally published as the grouchy

242 top the bad tempered ladybird powerpoint teaching - Apr 11 2023

web may 19 2014 more than just lines on a map best practices for u s bike routes project for public spaces national center for biking and walking 3 4k views 51 slides staying

display banner to support teaching on the bad - Apr 30 2022

web collaborativelearning org badtemperedladybird pdf aphids for track game

220 top the bad tempered ladybird powerpoint teaching - Dec 07 2022

web you may be offline or with limited connectivity

220 top the bad tempered ladybird powerpoint teaching - Nov 06 2022

web jun 10 2014 use these activities to support learning through the story of the bad tempered ladybird by eric carle

bad tempered ladybird teaching resources tpt - Jan 28 2022

the bad tempered ladybird carle eric free download - Feb 26 2022

web this resource is an eight page pdf document with activities to do based on the book the bad tempered ladybird by eric carle this document contains six worksheets for

the bad tempered ladybird by eric carle primary - May 12 2023

web instantly access twinkl s printable and digital k 12 teaching resources including worksheets ebooks games powerpoints google slides and more

display banner to support teaching on the bad - Aug 03 2022

web here are eight printable worksheets for you to use with eric carle s the bad tempered ladybird worksheets can be helpful for supporting children to consolidate their

toefl ibt free practice test language advisor - Aug 04 2022

web toefl ibt free practice test a practice test with reading listening speaking and writing sections with comments and answer keys toefl ibt free practice test this free practice test will familiarize you with most of

toefl listening practice free toefl listening test with answers - Jul 15 2023

web in this guide you can take a free toefl listening test with answers learn 7 critical toefl listening tips and toefl listening general exam information to help you prepare successfully for your toefl listening test this page contains everything you need to know and the essential skills for a high listening score

toefl listening practice 100 free questions pdf included - Jun 14 2023

web start practicing with these toefl listening exercises increase your score with these powerful toefl questions the toefl listening section is no walk in the park that's why we've created our very own test prep toefl listening practice questions with answers 2023 that our students can access for free the best part

practice tests for the toefl ibt test ets home - Aug 16 2023

web practice as often as you like view correct answers in the reading and listening sections listen to sample speaking responses read sample writing responses includes the new writing for an academic discussion task download pdf file size 68 6kb launch the toefl ibt free practice test toefl ibt practice sets

toefl ibt listening practice questions ets - Mar 11 2023

web listening practice set 1 directions read the script give yourself 10 minutes to answer the questions in this practice set library tour narrator listen to a conversation between a male student and a female librarian student hi i'm new here

toefl practice englishclub - Jun 02 2022

web these examples are very similar to the questions you will see on the actual toefl ibt if you find them too difficult you might want to choose a toefl textbook or class that is designed for a lower level make sure to read through the explanatory answers even if you answer the questions correctly they will give you important hints

125 exercises to pass the toefl englishpost org - Oct 06 2022

web jul 6 2023 toefl grammar choose the correct sentence exercise toefl grammar parallel structures exercise toefl practices 37 to 45 these are exercises that will help you prepare for the different sections of the toefl toefl grammar word choice exercise 1 toefl grammar word choice exercise 2 toefl grammar word choice

[toefl ibt free practice test](#) - May 13 2023

web this free practice test will familiarize you with most of the question types found on the toefl ibt test this test is not a simulation of the toefl ibt test you will not receive scores and your answers will not be saved in the reading section you will answer questions about reading passages

toefl listening practice sets free practice tests and sample - May 01 2022

web toefl listening practice tips toefl listening test with answers help the candidates to have an idea of the toefl listening topics and practice rigorously in case the candidates want above 25 scores in toefl listening toefl preparation tips can be a

great help here are some ways for toefl exam listening practice

toefl listening practice sample questions and exercises - Feb 10 2023

web toefl listening practice sample questions and exercises toefl listening practice sample questions topics themes and exercises for free with globalexam start reading and discover our offer

toefl ibt reading practice questions ets - Dec 28 2021

web please note these practice sets align with toefl ibt tests administered on or after july 26 2023 toefl ibt reading practice questions this document may contain some question types that would not appear on a test that has been adapted for various accessibility purposes

toefl practice questions ets - Apr 12 2023

web show answer hide answer skip directions exit section exit set exit question review questions view text view question

listening practice for toefl ibt listening test with 15 mp3s - Sep 05 2022

web listening for the toefl ibt if you are interested in listening for the toefl ibt you might want to sample our listening course download our instant download is in pdf format it has 15 units and is 53 pages long when printed as part of our listening practice tests you will also receive 15 mp3 files

toefl ibt practice tests for test takers educational - Dec 08 2022

web the toefl ibt free practice test features a full test with all 4 sections and real past test questions view correct answers in the reading and listening sections listen to sample speaking responses read sample writing responses launch the toefl ibt free practice test toefl ibt paper edition practice test

toefl ibt listening practice test with answers 2023 youtube - Jan 09 2023

web jan 3 2023 toefl ibt listening practice test with answers 2023 download the pdf version with answer explanations at this link tstprep com opt in complete t tst prep offers additional

toefl ibt listening section ets - Nov 07 2022

web the toefl ibt listening section is designed to measure your ability to understand conversations and lectures in english it includes listening for basic comprehension understanding the speaker s attitude and degree of certainty connecting information

toefl ibt practice test free online test for the internet based - Mar 31 2022

web toefl ibt practice test free online test for the internet based test our online test simulation in same format as the actual exam downloadable pdf practice tests in reading writing listening and speaking with mp3s answers and sample responses free grammar and vocabulary exercises

toefl ibt test practice online free lang test com - Feb 27 2022

web toefl ibt dictionary is available only for registered users the toefl ibt free practice test is offered with answers and explanations if necessary toefl ibt listening practice test with answers and audio requires the computer device pc laptop tablet or phone to have dynamics

toefl ibt test ets - Jan 29 2022

web the toefl ibt test is the premiere test of academic english communication and accepted and preferred worldwide learn how to prepare where to study where to take your test and more with more than 60 hours of content and 200 activities this self paced online course helps you build your english skills and prepare for the toefl ibt test

toefl practice listening englishclub - Jul 03 2022

web the answer to this type of common question is always in the last line or two of the listening passage the correct answer is c this is a making connections question