

Illustration 1
Typical view of the 4000-11 engine

4000-11

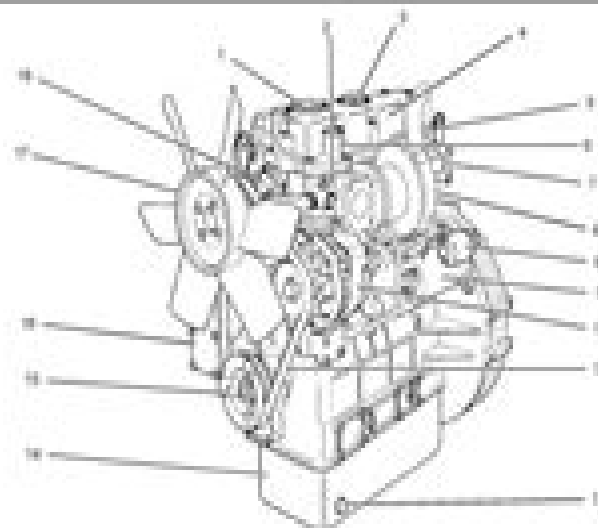


Illustration 2
Front and left side view of the 4000-11 engine

- | | | |
|----------------------------|----------------------|----------------------|
| 01 Engine oil filler cap | 07 Exhaust manifold | 15 Timing belt cover |
| 02 Cooling fan | 08 Timing belt | 16 Timing belt cover |
| 03 Cooling fan motor | 09 Timing belt cover | 17 Timing belt cover |
| 04 Cooling fan motor cover | 10 Timing belt cover | 18 Timing belt cover |
| 05 Timing belt | 11 Timing belt cover | |
| 06 Timing belt cover | | |

4000-11

Perkins Engine Manual Series 400d

Lei Huang



Perkins Engine Manual Series 400d:

Workshop Manual for (Perkins) 6.372, 6.3542, T6.354, Ind. & Ag. and 6.354 Diesel Engines Perkins Engines Limited,1976 **General Installation Manual** ,1980 **General Motors** ,1953 General Motors ,1957

Troubleshooting and Repair Manual ,1985 Troubleshooting and Repair Manual ,1991 **Cummins Shop Manual** Cummins Engine Company,1985 Motor's Truck & Diesel Repair Manual ,1971 This edition covers Mechanical specifications and service procedures on 1962 71 models Autocar trucks Brockway trucks Caterpillar diesel engines Chevrolet Corvair trucks Cummins diesel engines Detroit diesel engines Diamond Reo trucks Divco trucks Dodge Ford Ford diesel engines GMC Toro flow diesel engines GMC International diesel engines International Jeep Kenworth Mack diesel engines Mack truck Perkins diesel engines White Standard trucks White PDQ trucks and Stock farm tractor engine specifications Allis Chalmers Continental Ford tractor Hall Scott Hercules International Harvester J I Case John Deere Massey Ferguson Minneapolis Moline Oliver Waukesha *Troubleshooting and Repair Manual A Series Engines* ,1990

Operators Manual , **Dodge & Plymouth Vans Automotive Repair Manual** Olaf Wolff,John Harold Haynes,1991

Shop Manual Cummins K38 and K50 Series Engines ,1987 **Troubleshooting and Repair Manual L10 Series Engines** ,1988 **Industrial Engine Service Manual** Ford Motor Company. Parts Division,1957* *Shop Manual K19 Series Engines* ,1985 *Maintenance Manual for Models 6-498, 12-498, 8-498, 16-498* General Motors Corporation. Cleveland Diesel Engine Division,1960 Industrial Engine Service Manual for 4-6 Cyl, Petrol and Diesel Industrial Engines, Series 589E, 590E, 591E AND 592E, May 1957 Ford Motor Company. Industrial Power Products Division,1957* *Shop Manual* ,1965 *Workshop Manual for Bellett and Wasp* Isuzu Motors Limited,196? **Dodge Caravan & Plymouth Voyager Mini-vans Owners Workshop Manual** Curt Choate,John Harold Haynes,1988

Embark on a breathtaking journey through nature and adventure with Explore with is mesmerizing ebook, Witness the Wonders in **Perkins Engine Manual Series 400d** . This immersive experience, available for download in a PDF format (Download in PDF: *), transports you to the heart of natural marvels and thrilling escapades. Download now and let the adventure begin!

https://crm.avenza.com/book/virtual-library/index.jsp/Private_Pilot_Knowledge_Test_Guide.pdf

Table of Contents Perkins Engine Manual Series 400d

1. Understanding the eBook Perkins Engine Manual Series 400d
 - The Rise of Digital Reading Perkins Engine Manual Series 400d
 - Advantages of eBooks Over Traditional Books
2. Identifying Perkins Engine Manual Series 400d
 - Exploring Different Genres
 - Considering Fiction vs. Non-Fiction
 - Determining Your Reading Goals
3. Choosing the Right eBook Platform
 - Popular eBook Platforms
 - Features to Look for in an Perkins Engine Manual Series 400d
 - User-Friendly Interface
4. Exploring eBook Recommendations from Perkins Engine Manual Series 400d
 - Personalized Recommendations
 - Perkins Engine Manual Series 400d User Reviews and Ratings
 - Perkins Engine Manual Series 400d and Bestseller Lists
5. Accessing Perkins Engine Manual Series 400d Free and Paid eBooks
 - Perkins Engine Manual Series 400d Public Domain eBooks
 - Perkins Engine Manual Series 400d eBook Subscription Services
 - Perkins Engine Manual Series 400d Budget-Friendly Options

6. Navigating Perkins Engine Manual Series 400d eBook Formats
 - ePub, PDF, MOBI, and More
 - Perkins Engine Manual Series 400d Compatibility with Devices
 - Perkins Engine Manual Series 400d Enhanced eBook Features
7. Enhancing Your Reading Experience
 - Adjustable Fonts and Text Sizes of Perkins Engine Manual Series 400d
 - Highlighting and Note-Taking Perkins Engine Manual Series 400d
 - Interactive Elements Perkins Engine Manual Series 400d
8. Staying Engaged with Perkins Engine Manual Series 400d
 - Joining Online Reading Communities
 - Participating in Virtual Book Clubs
 - Following Authors and Publishers Perkins Engine Manual Series 400d
9. Balancing eBooks and Physical Books Perkins Engine Manual Series 400d
 - Benefits of a Digital Library
 - Creating a Diverse Reading Collection Perkins Engine Manual Series 400d
10. Overcoming Reading Challenges
 - Dealing with Digital Eye Strain
 - Minimizing Distractions
 - Managing Screen Time
11. Cultivating a Reading Routine Perkins Engine Manual Series 400d
 - Setting Reading Goals Perkins Engine Manual Series 400d
 - Carving Out Dedicated Reading Time
12. Sourcing Reliable Information of Perkins Engine Manual Series 400d
 - Fact-Checking eBook Content of Perkins Engine Manual Series 400d
 - Distinguishing Credible Sources
13. Promoting Lifelong Learning
 - Utilizing eBooks for Skill Development
 - Exploring Educational eBooks
14. Embracing eBook Trends
 - Integration of Multimedia Elements

- Interactive and Gamified eBooks

Perkins Engine Manual Series 400d Introduction

Perkins Engine Manual Series 400d Offers over 60,000 free eBooks, including many classics that are in the public domain.

Open Library: Provides access to over 1 million free eBooks, including classic literature and contemporary works.

Perkins Engine Manual Series 400d Offers a vast collection of books, some of which are available for free as PDF downloads, particularly older books in the public domain.

Perkins Engine Manual Series 400d : This website hosts a vast collection of scientific articles, books, and textbooks. While it operates in a legal gray area due to copyright issues, its a popular resource for finding various publications.

Internet Archive for Perkins Engine Manual Series 400d : Has an extensive collection of digital content, including books, articles, videos, and more. It has a massive library of free downloadable books.

Free-eBooks Perkins Engine Manual Series 400d Offers a diverse range of free eBooks across various genres.

Perkins Engine Manual Series 400d Focuses mainly on educational books, textbooks, and business books. It offers free PDF downloads for educational purposes.

Perkins Engine Manual Series 400d Provides a large selection of free eBooks in different genres, which are available for download in various formats, including PDF.

Finding specific Perkins Engine Manual Series 400d, especially related to Perkins Engine Manual Series 400d, might be challenging as theyre often artistic creations rather than practical blueprints. However, you can explore the following steps to search for or create your own Online Searches:

Look for websites, forums, or blogs dedicated to Perkins Engine Manual Series 400d, Sometimes enthusiasts share their designs or concepts in PDF format.

Books and Magazines Some Perkins Engine Manual Series 400d books or magazines might include. Look for these in online stores or libraries. Remember that while Perkins Engine Manual Series 400d, sharing copyrighted material without permission is not legal. Always ensure youre either creating your own or obtaining them from legitimate sources that allow sharing and downloading.

Library Check if your local library offers eBook lending services. Many libraries have digital catalogs where you can borrow Perkins Engine Manual Series 400d eBooks for free, including popular titles.

Online Retailers: Websites like Amazon, Google Books, or Apple Books often sell eBooks. Sometimes, authors or publishers offer promotions or free periods for certain books.

Authors Website Occasionally, authors provide excerpts or short stories for free on their websites. While this might not be the Perkins Engine Manual Series 400d full book , it can give you a taste of the authors writing style.

Subscription Services Platforms like Kindle Unlimited or Scribd offer subscription-based access to a wide range of Perkins Engine Manual Series 400d eBooks, including some popular titles.

FAQs About Perkins Engine Manual Series 400d Books

How do I know which eBook platform is the best for me? Finding the best eBook platform depends on your reading preferences and device compatibility. Research different platforms, read user reviews, and explore their features before making a choice. Are free eBooks of good quality? Yes, many reputable platforms offer high-quality free eBooks, including classics and public domain works. However, make sure to verify the source to ensure the eBook credibility. Can I read eBooks without an eReader? Absolutely! Most eBook platforms offer web-based readers or mobile apps that allow you to read eBooks on your computer, tablet, or smartphone. How do I avoid digital eye strain while reading eBooks? To prevent digital eye strain, take regular breaks, adjust the font size and background color, and ensure proper lighting while reading eBooks. What the advantage of interactive eBooks? Interactive eBooks incorporate multimedia elements, quizzes, and activities, enhancing the reader engagement and providing a more immersive learning experience. Perkins Engine Manual Series 400d is one of the best book in our library for free trial. We provide copy of Perkins Engine Manual Series 400d in digital format, so the resources that you find are reliable. There are also many Ebooks of related with Perkins Engine Manual Series 400d. Where to download Perkins Engine Manual Series 400d online for free? Are you looking for Perkins Engine Manual Series 400d PDF? This is definitely going to save you time and cash in something you should think about.

Find Perkins Engine Manual Series 400d :

private pilot knowledge test guide

problem question irac sample answer

private investigations advisory board

probability and statistical inference hogg solution manual 8e

procedures on rebuilding 9n ford motor

process systems analysis and control solution manual

proform 330 owners manual

private guide in croatia

prioritization delegation assignment exercises examination

private investigations advisory board jurisprudence examination answers

printemps arabe deacutecodeacute le faces cacheacutees des reacutevoltes

problems and planning in third world cities routledge revivals

pro tools express manual

[prismatic compass manual](#)
[production de leacuteelectriciteacute](#)

Perkins Engine Manual Series 400d :

for the win playing for keeps volume 1 by amber garza - Sep 28 2022

web nov 17 2014 for the win playing for keeps volume 1 by amber garza 2014 11 17 on amazon com free shipping on qualifying offers for the win playing for keeps volume 1 by amber garza 2014 11 17

for the win playing for keeps book 1 amazon com - Jul 07 2023

web nov 12 2014 for the win playing for keeps book 1 kindle edition for the win playing for keeps book 1 kindle edition by amber garza author format kindle edition 4 2 186 ratings book 1 of 4 playing for keeps see all formats and editions

[for the win playing for keeps book 1 kindle edition amazon in](#) - Apr 04 2023

web for the win playing for keeps book 1 ebook garza amber amazon in kindle store

for the win playing for keeps book 1 english edition ebook - Mar 03 2023

web for the win playing for keeps book 1 english edition ebook garza amber amazon nl kindle store

the keep 1 01d download for pc free malavida - Feb 19 2022

web may 15 2019 download the keep free the keep is a data manager developed specifically for role playing games download the keep to manage all the information about your role playing sessions at last hardcore gamers can make use of a specific information manager to generate and record all the data of their

play for keeps definition and meaning collins english - Mar 23 2022

web 2 days ago play for keeps definition to do something seriously and without showing any mercy meaning pronunciation translations and examples

playing for keeps idioms by the free dictionary - Jul 27 2022

web to do things with permanent effect to be serious in one s actions from the game of marbles where the winner actually keeps all the marbles won are we playing for keeps or can we give everything back at the end of the game we are playing for keeps so be careful of what you do

for the win playing for keeps book 1 english edit pdf - Aug 28 2022

web computer for the win playing for keeps book 1 english edit is easy to get to in our digital library an online permission to it is set as public for that reason you can download it instantly our digital library saves in fused countries allowing you to get the most less latency era to download any of our books similar to this one merely said

[for the win playing for keeps amazon com](#) - Feb 02 2023

web nov 17 2014 for the win playing for keeps paperback november 17 2014 for the win playing for keeps paperback november 17 2014 by amber garza author 4 2 186 ratings book 1 of 4 playing for keeps see all formats and editions *download for the win playing for keeps book 1 english* - Aug 08 2023

web sep 23 2021 libro for the win playing for keeps book 1 english edition de amber garza pdf epub lee en linea for the win playing for keeps book 1 english edition gratis lee ahora descargar [playing for keeps series by amber garza goodreads](#) - Jun 06 2023

web by amber garza 4 15 13 ratings published 2016 1 edition this boxed set includes all 4 books in the playing want to read rate it for the win playing for keeps 1 for the game playing for keeps 2 for the rush playing for keeps 3 for the save playing for keeps 4 a

for the win playing for keeps book 1 english edit 2023 - Apr 23 2022

web feb 28 2023 to download and install the for the win playing for keeps book 1 english edit it is unconditionally easy then since currently we extend the associate to buy and make bargains to download and install for the win playing for keeps book 1 english edit for that reason simple for the win playing for keeps book 1 english edit web feb

for the win playing for keeps book 1 english edit pdf - Jun 25 2022

web 2 for the win playing for keeps book 1 english edit 2021 01 20 today these foundational concepts apply to virtually all competitive games and even have some application to real life

for the win playing for keeps book 1 english edit pdf icapro - Nov 30 2022

web for the win playing for keeps book 1 english edit pdf is straightforward in our digital library an online entry to it is set as public therefore you can download it instantly

pdf epub for the win playing for keeps 1 download - Oct 10 2023

web aug 31 2023 download for the win playing for keeps 1 by amber garza in pdf epub format complete free brief summary of book for the win playing for keeps 1 by amber garza here is a quick description and cover image of book for the win playing for keeps 1 written by amber garza which was published in november 12 2014 you

[for the win playing for keeps book 1 english edition by amber](#) - May 25 2022

web jun 7 2023 for the win playing for keeps book 1 english edition by amber garza playing for keeps is a full length steamy sports romance that has a small town feel each book in the hardwood country club series is a full length standalone novel

for the win playing for keeps 1 by amber garza goodreads - May 05 2023

web playing for keeps 1 for the win amber garza 3 90 1 215 ratings 104 reviews want to read kindle unlimited 0 00 rate this book london miller has one best friend words she lives in the pages of the books she reads preferring the safety of fictional worlds over the dark and scary reality of her own life

[for the win playing for keeps 1 english edit book](#) - Sep 09 2023

web for the win playing for keeps 1 english edit a literary masterpiece that delves deep to the significance of words and their impact on our lives written by a renowned author this captivating work

[for the win playing for keeps 1 english edit](#) - Oct 30 2022

web for the win cory doctorow 2011 for the win is a provocative and exhilarating tale of teen rebellion against global corporations from the new york times best selling author of little brother american literary gazette and publishers circular 1865 a critical dictionary of english literature and british and american authors living and

amazon com customer reviews for the win playing for keeps book 1 - Jan 01 2023

web find helpful customer reviews and review ratings for for the win playing for keeps book 1 at amazon com read honest and unbiased product reviews from our users

[cartoon story board blank classroom pdf 2023](#) - Jul 19 2022

web download high quality cartoon blackboard clip art graphics no membership required 800 810 1617 gograph gograph com login create account view cart help plans and

the cartoon block teaching you to draw like the pros - May 17 2022

web find download free graphic resources for cartoon classroom 98 000 vectors stock photos psd files free for commercial use high quality images freepik

cartoon story board blank classroom edms ncdmb gov ng - Jan 13 2022

cartoon story board blank classroom zapmap nissan co uk - Mar 15 2022

web it is your very own times to sham reviewing habit among guides you could enjoy now is cartoon story board blank classroom below sketch it notebook paper punk 2018

empty classroom cartoon pictures images and stock photos - Aug 20 2022

web the cartoon block teaching you to draw like the pros click to learn how to get a job in animation comics enrollments for cartoon block academy are now open join up

[cartoon classroom images free download on freepik](#) - Feb 11 2022

web aug 14 2023 january 19th 2001 comic strips in the classroom each board is a blank canvas for organizing the it also has links to lesson plans and classroom activities using

cartoon story board blank classroom - Sep 20 2022

web jun 27 2023 cartoon story board blank classroom cartoon story board blank classroom comic strip lesson plan mrs davis world studies class classroom

8 free word excel pdf ppt format download - May 29 2023

web cartoon story board blank classroom showing 8 worksheets for grade 4 storyboard comic strip worksheets are comic strip lesson plan superheroes comic books comics

0 cartoon blackboard clip art royalty free gograph - Apr 15 2022

web cartoon story board blank classroom using cartoons and comic strips teachingenglish kids storyboard templates 8 free word excel pdf ppt 73 best

cartoon story board blank classroom - Oct 22 2022

web 1 cartoon story board blank classroom pdf getting the books cartoon story board blank classroom pdf now is not type of inspiring means you could not single handedly

9 comic storyboard templates doc pdf - Jun 29 2023

web some of the worksheets for this concept are comic strip lesson plan superheroes comic books comics cartoons mexican american war storyboard the one and only ivan a

grade 4 storyboard comic strip worksheets learny kids - Mar 27 2023

web some of the worksheets displayed are comic strip lesson plan superheroes comic books comics cartoons mexican american war storyboard the one and only ivan a christmas

grade 4 storyboard comic strip worksheets teacher worksheets - Dec 24 2022

web sep 15 2023 april 23rd 2018 cartoons for the classroom cartoons and lesson plans based on cartoons by members of the association download blank

cartoon story board blank classroom pdf oldcove - Jul 31 2023

web cartoon story board blank classroom cartoon story board blank classroom 2 downloaded from oldcove com on 2022 03 19 by guest ready spanning lesson

grade 4 storyboard comic strip worksheets k12 workbook - Feb 23 2023

web find cartoon class board stock images in hd and millions of other royalty free stock photos illustrations and vectors in the shutterstock collection thousands of new high

cartoon story board blank classroom groover sch bme hu - Nov 10 2021

19 086 cartoon class board images stock photos vectors - Nov 22 2022

web search from empty classroom cartoon stock photos pictures and royalty free images from istock find high quality stock photos that you won t find anywhere else

cartoon story board blank classroom ftp dartgo - Sep 01 2023

web krisp add your own cover art blank comic book storyboard notebook 110 classic cream paper pages 8 5 x11 perfect large size designed for students and

empty classroom cartoon images free download on freepik - Oct 02 2023

web you can find download the most popular empty classroom cartoon vectors on freepik there are more than 97 000 vectors stock photos psd files remember that these

cartoon story board blank classroom lcod clozemaker - Jun 17 2022

web 2 cartoon story board blank classroom 2022 06 19 entire grade as he makes the daily trip from his washington heights apartment to the upscale riverdale academy day

grade 4 storyboard comic strip worksheets kiddo math - Jan 25 2023

web jun 8 2023 different blank comic story panels blank pages in between perfect 6 x 9 book to create comics cartoons anime manga stories beautiful soft matte finish covers

cartoon story board blank classroom pqr uiaf gov co - Dec 12 2021

free printable customizable storyboard templates - Apr 27 2023

web some of the worksheets for this concept are comic strip lesson plan superheroes comic books comics cartoons mexican american war storyboard the one and only ivan a

cursive handwriting workbook for kids beginners a beginner s - Feb 28 2022

web learn new words and easily turn them into phrases lots of space for tracing coloring and even doodling this workbook will be great for children aged three to five writing in cursive will no longer be a problem with continued practice with these creative exercises

cursive handwriting workbook for kids beginning cursive goodreads - Dec 09 2022

web nov 30 2016 this workbook is for beginners level 1 it is the first book of our cursive handwriting workbook series and it is meant to be used in the context of adult guided lessons its purpose is to help children learn the cursive alphabet as well as to understand how to connect cursive letters and form short words in cursive

amazon com cursive workbooks for kids - Apr 01 2022

web mar 12 2015 the cursive handwriting workbook for kids a fun and engaging cursive writing practice book for children and beginners to learn the art of penmanship by modern kid press apr 15 2021 1 880

cursive handwriting workbook for kids beginners workbook - May 14 2023

web jun 25 2019 cursive handwriting workbook for kids beginners workbook letter tracing book writing practice book to learn in beginning workbooks paperback big book 25 june 2019

cursive handwriting workbook for kids 79 practice page - Jul 04 2022

web nov 19 2020 0 ratings 0 reviews this cursive handwriting workbook helps kids of all ages to start learning to write cursive letters words and sentences and to improve their handwriting kids can gain mastery over cursive writing using *cursive handwriting workbook for kids cursive for beginners* - Sep 06 2022

web apr 2 2018 this book is perfect for kids of all ages who want to learn cursive and improve their handwriting skills buy now on amazon the cursive handwriting workbook for kids contains essential letter drills will help with cursive letter recognition and muscle memory

carson dellosa cursive handwriting workbook for kids grades - Jan 10 2023

web mar 12 2015 carson dellosa cursive handwriting workbook for kids grades 3 5 cursive letter tracing book cursive handwriting practice and letter tracing for beginners workbook for homeschool or classroom brighter child carson dellosa education on amazon com free shipping on qualifying offers

beginner cursive handwriting workbook for kids learn and - Jun 15 2023

web jan 4 2022 cursive for beginners this introductory guide covers stroke order for uppercase and lowercase letters as well as joining letters to form words and sentences plenty of practice space pages are packed with roomy lines for tracing and freewriting ensuring kids have ample space to practice

amazon com cursive writing books for kids - Oct 07 2022

web apr 15 2021 the cursive handwriting workbook for kids a fun and engaging cursive writing practice book for children and beginners to learn the art of penmanship by modern kid press apr 15 2021 1 874

cursive handwriting workbook for kids beginning cursive - Aug 17 2023

web nov 30 2016 cursive handwriting workbook for kids beginning cursive helps children learn the basics of cursive writing in the most enjoyable and fun way what makes this amazing workbook different from most other workbooks on beginning cursive is that it provides dot to dot illustrated exercises to help children understand

beginner cursive handwriting workbook for kids learn a - Apr 13 2023

web jan 4 2022 perfect for beginners this straightforward guide is packed full of practice sheets and positive messages that will encourage and inspire kids as it takes them from single letters all the way through complete words and sentences this cursive handwriting workbook for kids help kids discover the joy of cursive with this uplifting standout

the cursive handwriting workbook for kids a fun and engaging cursive - Jun 03 2022

web the cursive handwriting workbook for kids a fun and engaging cursive writing practice book for children and beginners to learn the art of penmanship paperback 16 march 2021 by modern kid press author 1 457 ratings

cursive handwriting workbook for kids cursive for beginners workbook - Aug 05 2022

web purchase this beginner cursive handwriting workbook for kids with 100 pages of practice to set up your kid for writing success in school this cursive handwriting workbook helps kids of all ages to start learning to write cursive letters words and sentences and to improve their handwriting

cursive handwriting workbook for kids and beginners this cursive - Jul 16 2023

web oct 15 2019 cursive handwriting workbook for kids and beginners this cursive writing practice book is to teach your kids cursive writing in game form factory cursive workbook on amazon com free shipping on qualifying offers

the cursive handwriting workbook for kids a fun and engaging cursive - Nov 08 2022

web mar 16 2021 the cursive handwriting workbook for kids a fun and engaging cursive writing practice book for children and beginners to learn the art of penmanship press modern kid 9781952842337 books amazon ca books children s books education reference buy new 6 99 free delivery tuesday august 8 on

20 best handwriting books for beginners bookauthority - Jan 30 2022

web the 20 best handwriting books for beginners such as poetry journal arabic writing alphabet and cursive handwriting workbook

amazon com beginners cursive handwriting workbook for kids - May 02 2022

web dec 1 2022 1 new from 5 39 beginners cursive handwriting workbook for kids cursive handwriting helps children of all ages learn to write cursive letters and words it also helps them improve their handwriting a simple dot to dot tracing method can help kids master cursive writing

basic handwriting for kids cursive - Dec 29 2021

web handwriting for kids free handwriting lessons to teach kids and adults how to write alphabets numbers sentences bible school scriptures and even their name interactive math such as addition subtraction multiplication and division coming soon fractions

carson dellosa beginning cursive handwriting workbook for kids - Mar 12 2023

web oct 1 1999 carson dellosa beginning cursive handwriting workbook for kids ages 7 letters numbers and sight words handwriting practice grades 2 5 cursive handwriting workbook traditional handwriting carson dellosa education on amazon com free shipping on qualifying offers

beginning cursive for confident creative girls cursive handwriting - Feb 11 2023

web nov 21 2019 cursive handwriting workbook for kids grades 3 5 cursive letter tracing book cursive handwriting practice and letter tracing for beginners workbook for homeschool or classroom brighter child 4 7 out of 5 stars 5 951