

Fig. 4

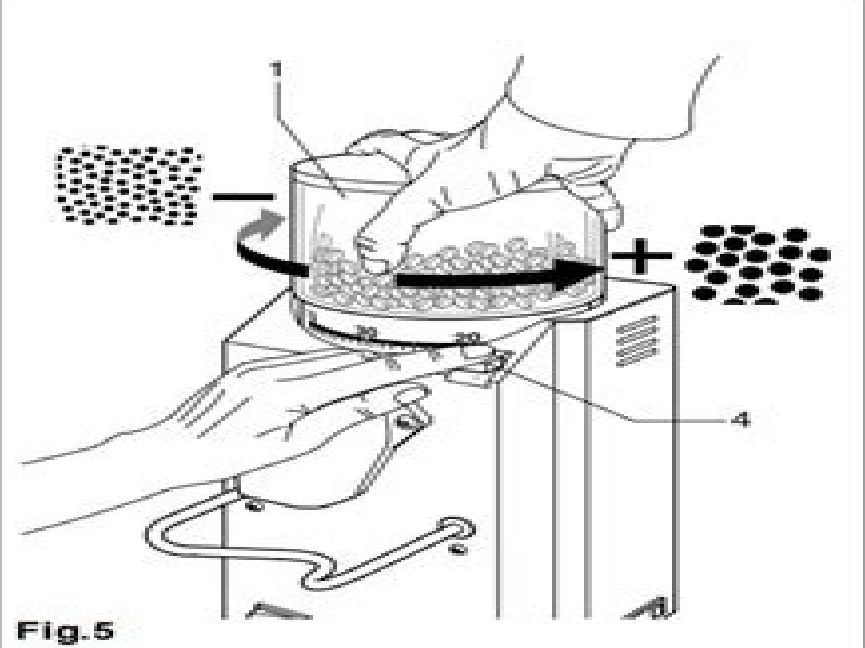


Fig. 5

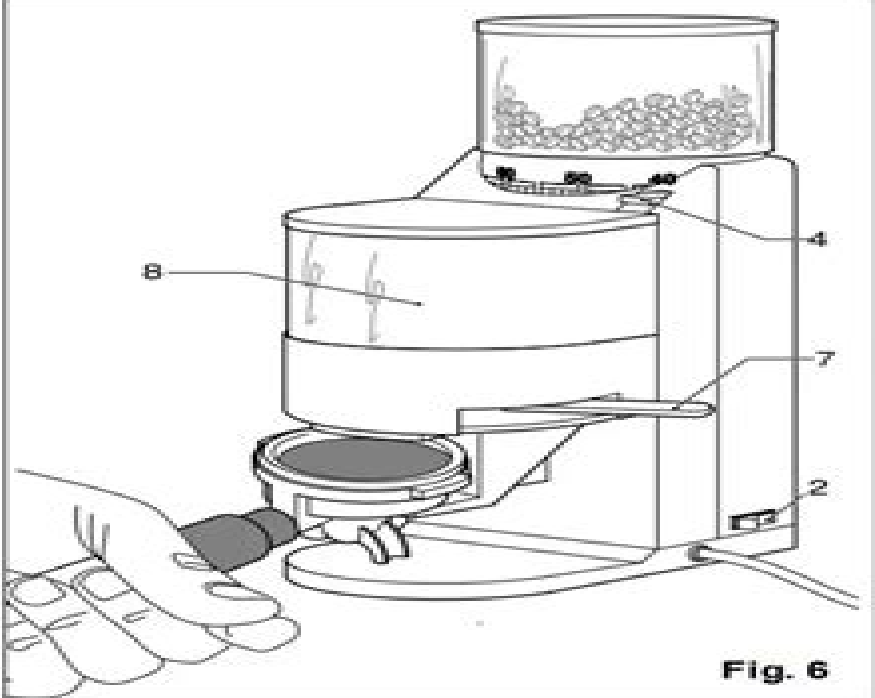


Fig. 6

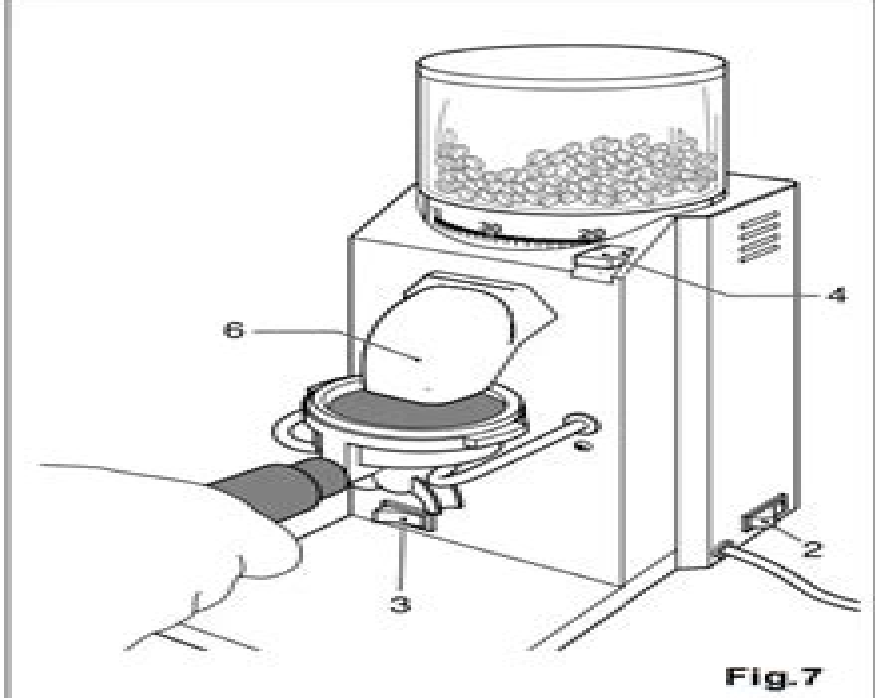


Fig. 7

Rocky Grinder Instruction Manual

David Kirk



Rocky Grinder Instruction Manual:

Visual Instruction Manual and Descriptive Catalog of Slides and Films Visual Instruction Exchange Vernon M. Riegel,1940 **Catalog of Copyright Entries. Third Series** Library of Congress. Copyright Office,1974 *Field & Stream* ,1996-01 FIELD STREAM America s largest outdoor sports magazine celebrates the outdoor experience with great stories compelling photography and sound advice while honoring the traditions hunters and fishermen have passed down for generations **Manual Training Magazine** Charles Alpheus Bennett,William Thomas Bawden,1928 *Popular Mechanics* ,1934-07 Popular Mechanics inspires instructs and influences readers to help them master the modern world Whether it s practical DIY home improvement tips gadgets and digital technology information on the newest cars or the latest breakthroughs in science PM is the ultimate guide to our high tech lifestyle *Cars & Parts* ,1971 *Field & Stream* ,1996-02 FIELD STREAM America s largest outdoor sports magazine celebrates the outdoor experience with great stories compelling photography and sound advice while honoring the traditions hunters and fishermen have passed down for generations **Popular Mechanics** ,1949-04 Popular Mechanics inspires instructs and influences readers to help them master the modern world Whether it s practical DIY home improvement tips gadgets and digital technology information on the newest cars or the latest breakthroughs in science PM is the ultimate guide to our high tech lifestyle Field & Stream ,1981-12 FIELD STREAM America s largest outdoor sports magazine celebrates the outdoor experience with great stories compelling photography and sound advice while honoring the traditions hunters and fishermen have passed down for generations **Popular Mechanics** ,1961-04 Popular Mechanics inspires instructs and influences readers to help them master the modern world Whether it s practical DIY home improvement tips gadgets and digital technology information on the newest cars or the latest breakthroughs in science PM is the ultimate guide to our high tech lifestyle **Railway Mechanical and Electrical Engineer** ,1926 The Lincoln Library of Essential Information an Up to Date Manual for Daily Reference, for Self Instruction, and for General Culture Named in Appreciative Remembrance of Abraham Lincoln, the Foremost American Exemplar of Self Education ,1924 **Popular Mechanics** ,1981-07 Popular Mechanics inspires instructs and influences readers to help them master the modern world Whether it s practical DIY home improvement tips gadgets and digital technology information on the newest cars or the latest breakthroughs in science PM is the ultimate guide to our high tech lifestyle **Industrial Arts Magazine** ,1926 **Books and Pamphlets, Including Serials and Contributions to Periodicals** Library of Congress. Copyright Office,1977 **Field & Stream** ,1995-09 FIELD STREAM America s largest outdoor sports magazine celebrates the outdoor experience with great stories compelling photography and sound advice while honoring the traditions hunters and fishermen have passed down for generations **Industrial Arts and Vocational Education** ,1926 Popular Science ,1975-02 Popular Science gives our readers the information and tools to improve their technology and their world The core belief that Popular Science and our readers share The future is going to

be better and science and technology are the driving forces that will help make it better *Railway Locomotives and Cars*
,1926 **Popular Mechanics** ,1961-07 Popular Mechanics inspires instructs and influences readers to help them master
the modern world Whether it s practical DIY home improvement tips gadgets and digital technology information on the
newest cars or the latest breakthroughs in science PM is the ultimate guide to our high tech lifestyle

Ignite the flame of optimism with is motivational masterpiece, Fuel Your Spirit with **Rocky Grinder Instruction Manual** . In a downloadable PDF format (*), this ebook is a beacon of encouragement. Download now and let the words propel you towards a brighter, more motivated tomorrow.

https://crm.avenza.com/files/browse/default.aspx/Samsung_Washing_Machine_Top_Loader_Manual.pdf

Table of Contents Rocky Grinder Instruction Manual

1. Understanding the eBook Rocky Grinder Instruction Manual
 - The Rise of Digital Reading Rocky Grinder Instruction Manual
 - Advantages of eBooks Over Traditional Books
2. Identifying Rocky Grinder Instruction Manual
 - Exploring Different Genres
 - Considering Fiction vs. Non-Fiction
 - Determining Your Reading Goals
3. Choosing the Right eBook Platform
 - Popular eBook Platforms
 - Features to Look for in an Rocky Grinder Instruction Manual
 - User-Friendly Interface
4. Exploring eBook Recommendations from Rocky Grinder Instruction Manual
 - Personalized Recommendations
 - Rocky Grinder Instruction Manual User Reviews and Ratings
 - Rocky Grinder Instruction Manual and Bestseller Lists
5. Accessing Rocky Grinder Instruction Manual Free and Paid eBooks
 - Rocky Grinder Instruction Manual Public Domain eBooks
 - Rocky Grinder Instruction Manual eBook Subscription Services
 - Rocky Grinder Instruction Manual Budget-Friendly Options
6. Navigating Rocky Grinder Instruction Manual eBook Formats

- ePub, PDF, MOBI, and More
 - Rocky Grinder Instruction Manual Compatibility with Devices
 - Rocky Grinder Instruction Manual Enhanced eBook Features
7. Enhancing Your Reading Experience
 - Adjustable Fonts and Text Sizes of Rocky Grinder Instruction Manual
 - Highlighting and Note-Taking Rocky Grinder Instruction Manual
 - Interactive Elements Rocky Grinder Instruction Manual
 8. Staying Engaged with Rocky Grinder Instruction Manual
 - Joining Online Reading Communities
 - Participating in Virtual Book Clubs
 - Following Authors and Publishers Rocky Grinder Instruction Manual
 9. Balancing eBooks and Physical Books Rocky Grinder Instruction Manual
 - Benefits of a Digital Library
 - Creating a Diverse Reading Collection Rocky Grinder Instruction Manual
 10. Overcoming Reading Challenges
 - Dealing with Digital Eye Strain
 - Minimizing Distractions
 - Managing Screen Time
 11. Cultivating a Reading Routine Rocky Grinder Instruction Manual
 - Setting Reading Goals Rocky Grinder Instruction Manual
 - Carving Out Dedicated Reading Time
 12. Sourcing Reliable Information of Rocky Grinder Instruction Manual
 - Fact-Checking eBook Content of Rocky Grinder Instruction Manual
 - Distinguishing Credible Sources
 13. Promoting Lifelong Learning
 - Utilizing eBooks for Skill Development
 - Exploring Educational eBooks
 14. Embracing eBook Trends
 - Integration of Multimedia Elements
 - Interactive and Gamified eBooks

Rocky Grinder Instruction Manual Introduction

Free PDF Books and Manuals for Download: Unlocking Knowledge at Your Fingertips In today's fast-paced digital age, obtaining valuable knowledge has become easier than ever. Thanks to the internet, a vast array of books and manuals are now available for free download in PDF format. Whether you are a student, professional, or simply an avid reader, this treasure trove of downloadable resources offers a wealth of information, conveniently accessible anytime, anywhere. The advent of online libraries and platforms dedicated to sharing knowledge has revolutionized the way we consume information. No longer confined to physical libraries or bookstores, readers can now access an extensive collection of digital books and manuals with just a few clicks. These resources, available in PDF, Microsoft Word, and PowerPoint formats, cater to a wide range of interests, including literature, technology, science, history, and much more. One notable platform where you can explore and download free Rocky Grinder Instruction Manual PDF books and manuals is the internet's largest free library. Hosted online, this catalog compiles a vast assortment of documents, making it a veritable goldmine of knowledge. With its easy-to-use website interface and customizable PDF generator, this platform offers a user-friendly experience, allowing individuals to effortlessly navigate and access the information they seek. The availability of free PDF books and manuals on this platform demonstrates its commitment to democratizing education and empowering individuals with the tools needed to succeed in their chosen fields. It allows anyone, regardless of their background or financial limitations, to expand their horizons and gain insights from experts in various disciplines. One of the most significant advantages of downloading PDF books and manuals lies in their portability. Unlike physical copies, digital books can be stored and carried on a single device, such as a tablet or smartphone, saving valuable space and weight. This convenience makes it possible for readers to have their entire library at their fingertips, whether they are commuting, traveling, or simply enjoying a lazy afternoon at home. Additionally, digital files are easily searchable, enabling readers to locate specific information within seconds. With a few keystrokes, users can search for keywords, topics, or phrases, making research and finding relevant information a breeze. This efficiency saves time and effort, streamlining the learning process and allowing individuals to focus on extracting the information they need. Furthermore, the availability of free PDF books and manuals fosters a culture of continuous learning. By removing financial barriers, more people can access educational resources and pursue lifelong learning, contributing to personal growth and professional development. This democratization of knowledge promotes intellectual curiosity and empowers individuals to become lifelong learners, promoting progress and innovation in various fields. It is worth noting that while accessing free Rocky Grinder Instruction Manual PDF books and manuals is convenient and cost-effective, it is vital to respect copyright laws and intellectual property rights. Platforms offering free downloads often operate within legal boundaries, ensuring that the materials they provide are either in the public domain or authorized for distribution. By adhering to copyright laws, users can enjoy the benefits of free access to knowledge while supporting the authors and

publishers who make these resources available. In conclusion, the availability of Rocky Grinder Instruction Manual free PDF books and manuals for download has revolutionized the way we access and consume knowledge. With just a few clicks, individuals can explore a vast collection of resources across different disciplines, all free of charge. This accessibility empowers individuals to become lifelong learners, contributing to personal growth, professional development, and the advancement of society as a whole. So why not unlock a world of knowledge today? Start exploring the vast sea of free PDF books and manuals waiting to be discovered right at your fingertips.

FAQs About Rocky Grinder Instruction Manual Books

How do I know which eBook platform is the best for me? Finding the best eBook platform depends on your reading preferences and device compatibility. Research different platforms, read user reviews, and explore their features before making a choice. Are free eBooks of good quality? Yes, many reputable platforms offer high-quality free eBooks, including classics and public domain works. However, make sure to verify the source to ensure the eBook credibility. Can I read eBooks without an eReader? Absolutely! Most eBook platforms offer web-based readers or mobile apps that allow you to read eBooks on your computer, tablet, or smartphone. How do I avoid digital eye strain while reading eBooks? To prevent digital eye strain, take regular breaks, adjust the font size and background color, and ensure proper lighting while reading eBooks. What the advantage of interactive eBooks? Interactive eBooks incorporate multimedia elements, quizzes, and activities, enhancing the reader engagement and providing a more immersive learning experience. Rocky Grinder Instruction Manual is one of the best book in our library for free trial. We provide copy of Rocky Grinder Instruction Manual in digital format, so the resources that you find are reliable. There are also many Ebooks of related with Rocky Grinder Instruction Manual. Where to download Rocky Grinder Instruction Manual online for free? Are you looking for Rocky Grinder Instruction Manual PDF? This is definitely going to save you time and cash in something you should think about.

Find Rocky Grinder Instruction Manual :

samsung washing machine top loader manual

[santa fe crdi manual repair](#)

sansui hdlcd 1908 manual

[sanford guide to antimicrobial 23](#)

[santeacute publique et eacuteconomie de la santeacute uniteacute denseignement](#)

samsung syncmaster 932gw service manual repair guide

~~samsung vp m54 camcorders owners manual~~

samsung un46d6000 tvs owners manual

samsung u660 convoy 2 user manual

sandf bursaries for 2015 undergraduate

~~samsung wd9122cle wd9102rnw service manual and repair guide~~

samsung tv service manual repair scheme

sand horse and beach detective level threshold

samsung syncmaster 2233rz service manual repair guide

samsung syncmaster 2493hm repair manual

Rocky Grinder Instruction Manual :

colloquial danish a complete language course colloquial - Sep 09 2022

web colloquial danish a complete language course collo colloquial chinese nov 09 2019 a major title for a language spoken by 70 of the chinese population the official

colloquial danish language course orbislingua - Jan 13 2023

web colloquial dutch the complete course for beginners has been carefully developed by an experienced teacher to provide a step by step course to dutch as it is written and

colloquial danish the complete course for beginners - Mar 15 2023

web colloquial danish language course self study danish courses colloquial danish language program to learn another language with colloquial please click here

colloquial danish a complete language course collo m ljung - Feb 02 2022

web apr 21 2023 colloquial danish a complete language course collo 1 10 downloaded from uniport edu ng on april 21 2023 by guest colloquial danish a complete

colloquial danish a complete language course collo - Aug 08 2022

web colloquial danish a complete language course collo getting the books colloquial danish a complete language course collo now is not type of inspiring means you

colloquial danish a complete language course collo pdf - Jul 19 2023

web jun 19 2003 colloquial danish provides a step by step course in danish as it is written and spoken today combining a user friendly approach with a thorough treatment of the

colloquial danish a complete language course collo copy - Oct 10 2022

web colloquial danish a complete language course collo when people should go to the book stores search opening by shop shelf by shelf it is really it will enormously ease

colloquial danish a complete language course collo copy - May 05 2022

web may 22 2023 colloquial danish a complete language course collo 2 9 downloaded from uniport edu ng on may 22 2023 by guest hungarian an essential grammar carol

colloquial danish the complete course for beginners goodreads - Dec 12 2022

web beginner s danish offers basic language instruction in the national language of denmark presenting grammar vocabulary and common phrases in clear concise lessons

colloquial danish a complete language course collo - Nov 11 2022

web colloquial danish a complete language course colloquial series by kirsten gade danish in a broad range of situations colloquial series w glyn jones kirsten gade

colloquial danish a complete language course colloquial - Sep 28 2021

colloquial danish the complete course for beginners - Oct 30 2021

colloquial danish a complete language course collo pdf - Nov 30 2021

web colloquial danish a complete language course colloquial series by kirsten gade needed to municate confidently and effectively in dutch in a broad range of situations

colloquial language series website colloquial danish - Aug 20 2023

web mar 29 2023 colloquial danish a complete language course collo 2 12 downloaded from uniport edu ng on march 29 2023 by guest completely up to date written by

downloadable free pdfs colloquial danish a complete - Jul 07 2022

web mar 20 2023 colloquial danish a complete language course collo 1 1 downloaded from uniport edu ng on march 20 2023 by guest colloquial danish a complete

colloquial danish the complete course for - Apr 16 2023

web colloquial danish the complete course for beginners w glyn jones kirsten gade comprehensive course with step by step approach to written and spoken danish key

colloquial danish a complete language course collo pdf - Jan 01 2022

web colloquial danish is an easy to use course specially written by an experienced teacher for self study or class use it

teaches current spoken and written danish

colloquial danish the complete course for beginners - Feb 14 2023

web 3 88 17 ratings3 reviews this new edition of colloquial danish has been completely rewritten to feature the contemporary language of denmanrk with new material on new

colloquial danish a complete language course collo - Apr 04 2022

web complete language course collo below linguistics and language behavior abstracts 2004 12 colloquial urdu tej k bhatia 2005 11 10 colloquial urdu is easy to use and

colloquial danish a complete language course collo clifford - May 17 2023

web colloquial danish provides a step by step course in danish as it is written and spoken today combining a user friendly approach with a thorough treatment of the language it

colloquial danish colloquial series amazon com - Jun 18 2023

web jul 13 2023 complete language course collo maybe you have knowledge that people have look numerous times for their favorite books considering this colloquial danish a

colloquial danish a complete language course collo copy - Mar 03 2022

web apr 13 2023 colloquial danish a complete language course collo as you such as by searching the title publisher or authors of guide you in point of fact want you can

colloquial danish a complete language course collo gabriele - Jun 06 2022

web 2 colloquial danish a complete language course collo 2022 10 20 colloquial danish a complete language course collo downloaded from blog stylewe com by guest

eduardo ii ojos de niebla alfredo cernuda casa - Feb 05 2022

web jun 5 2018 eduardo ii ojos de niebla spanish edition cernuda alfredo molero patricia on amazon com free shipping on qualifying offers eduardo ii

eduardo ii ojos de niebla madrid es teatro - Oct 13 2022

web información completa en aragondigital es 2021 01 20 eduardo ii ojos de niebla un reflejo actual de la sociedad del siglo xiv en el teatro princip

eduardo ii ojos de niebla de alfredo cernuda - Aug 23 2023

web sep 4 2020 eduardo ii ojos de niebla deja tu opinión la nariz de cyrano presenta su segunda producción con eduardo ii ojos de niebla el texto de alfredo cernuda es

eduardo ii ojos de niebla un drama histÓrico en - Apr 07 2022

web eduardo ii ojos de niebla cernuda alfredo amazon com tr kitap Çerez tercihlerinizi seçin Çerez bildirimimizde ayrıntılı

şekilde açıklandığı üzere alışveriş

eduardo ii pentacion com - Mar 18 2023

web sep 23 2020 ojos de niebla narra el amor incontenible de eduardo ii por hugo ledespenser el resentimiento de su esposa la reina isabel humillada por los amores

crítica de eduardo ii ojos de niebla de alfredo cernuda - Jul 22 2023

web sep 24 2020 26 share 1 7k views 2 years ago ojos de niebla recrea la vida del rey eduardo ii de inglaterra pero lo que a simple vista puede parecer un drama histórico

eduardo ii ojos de niebla teatro bellas artes - Sep 24 2023

web oct 9 2020 eduardo ii ojos de niebla de alfredo cernuda reparto josé luis gil ana ruiz ricardo joven carlos heredia y manuel galiana autor alfredo cernuda

eduardo ii ojos de niebla alfredo cernuda libro - May 08 2022

web 21 01 2021 alto 13 5 cm ancho 21 cm peso 145 gr has leído eduardo ii ojos de niebla dejar mi opinión el libro eduardo ii ojos de niebla de alfredo

eduardo ii ojos de niebla amazon es - Apr 19 2023

web sep 8 2020 llega al teatro bellas artes de madrid eduardo ii ojos de niebla un drama histórico dirigido por jaime azpilicueta escrito por alfredo cernuda y que se estrena el 9 de septiembre

eduardo ii ojos de niebla by alfredo cernuda goodreads - Aug 11 2022

web eduardo ii ojos de niebla alfredo cernuda 10 00 narra el amor incontenible del rey por hugo ledespenser el resentimiento de su esposa la reina

eduardo ii ojos de niebla compra tus entradas - Feb 17 2023

web ojos de niebla recrea la vida del rey eduardo ii de inglaterra es una historia de amor de odio de pasión de lucha por el poder en definitiva es nuestra historia

josé luis gil protagoniza eduardo ii ojos de niebla en el teatro - Mar 06 2022

web presentación mundial de la obra de teatro eduardo ii ojos de niebla en el ambigú del teatro municipal de torrevieja en la mañana de hoy 27 8 20 autor

presentación eduardo ii ojos de niebla youtube - Dec 03 2021

teatro bellas artes acoge eduardo ii ojos de niebla desde el 9 - Jan 16 2023

web ojos de niebla narra el amor incontenible de eduardo ii por hugo ledespenser el resentimiento de su esposa la reina isabel humillada por los amores que su marido le

eduardo ii ojos de niebla revista godot - Nov 14 2022

web eduardo ii book read reviews from world s largest community for readers ojos de niebla recrea la vida del rey eduardo ii de inglaterra pero lo que a

eduardo ii ojos de niebla spanish edition paperback - Nov 02 2021

teaser eduardo ii ojos de niebla youtube - May 20 2023

web director jaime azpilicueta una produccion de eduardo ii ojos de niebla es la segunda producción que promete ser tan exitosa como la primera un texto

eduardo ii ojos de niebla by alfredo cernuda goodreads - Jun 09 2022

web aug 17 2020 eduardo ii ojos de niebla coproducida por la nariz de cyrano contubernio y pentación escrita por alfredo cernuda dirigida por jaime azpilicueta y

eduardo ii ojos de niebla teatro madrid - Jun 21 2023

web ojos de niebla narra el amor incontenible de eduardo ii por hugo ledespenser el resentimiento de su esposa la reina isabel humillada por los amores que su marido le

eduardo ii ojos de niebla portal de cultura pozuelo de alarcón - Sep 12 2022

web ojos de niebla es la tragedia de la injusticia humana que acaece de manera inevitable desde sus comienzos hasta la condena y sacrificio final del monarca de inglaterra

eduardo ii ojos de niebla un viaje al pasado y al youtube - Jul 10 2022

web aug 19 2020 eduardo ii ojos de niebla un drama histórico en breve a las tablas estará en el teatro bellas artes de madrid del 9 de septiembre al 25 de

eduardo ii ojos de niebla pentación espectáculos - Dec 15 2022

web eduardo ii ojos de niebla de alfredo cernuda ojos de niebla recrea la vida del rey eduardo ii de inglaterra pero lo que a simple vista puede parecer un drama histórico

eduardo ii ojos de niebla kağıt kapak 5 haziran 2018 - Jan 04 2022

un secret prix goncourt des lycéens 2004 et pr copy - Jul 27 2022

web 2 un secret prix goncourt des lycéens 2004 et pr 2020 11 05 un secret prix goncourt des lycéens 2004 et pr downloaded from arenaserver click by guest french nicole un secret lepetitlitteraire fr winner of the international booker prize the prize winning story of a senegalese soldier in the trenches told in

un secret prix goncourt des lycéens 2004 et prix des lectrices de - Oct 10 2023

web un secret prix goncourt des lycéens 2004 et prix des lectrices de elle 2005 broché grand livre 5 mai 2004 emprunt ce titre et plus d un million d autres sont disponibles sur abonnement kindle le prix d emprunt à la page est disponible ici 5 49 à l achat

un secret prix goncourt des lycéens 2004 grand prix des - Jan 01 2023

web titre un secret prix goncourt des lycéens 2004 grand prix des lectrices de elle 2005 auteur grimbert philippe langue français format poche nombre de pages 192 genre romans francophones date de publication 01 09 2004 Édition le livre de poche poids 0 135 kg dimensions 11 x 1 2 x 17 8 cm isbn 10 2253117188

un secret prix goncourt des lyca c ens 2004 et pr pdf - Nov 30 2022

web un garçon singulier un secret prix goncourt des lyca c ens 2004 et pr downloaded from mucho goldenpalace com by guest miller crawford memory other press llc rien n aurait dû séparer les deux garçons croix de bois croix de fer à la vie à la mort il n y a pas eu de rivalités imbéciles c est autre chose qui les a déchirés

un secret prix goncourt des lyca c ens 2004 et pr - Feb 19 2022

web un secret prix goncourt des lyca c ens 2004 et pr 1 omb no 6635043908227 un secret prix goncourt des lyca c ens 2004 et pr avec freud au quotidien reframing remembrance rudik l autre noureev finding the plot in search of shelter switching languages prix goncourt 1903 2003 haunting legacies

un secret prix goncourt des lyca c ens 2004 et pr pdf full pdf - Jul 07 2023

web webmay 19 2023 le prix goncourt des lycéens est un prix littéraire français anisé par la fnac et le ministère de l Éducation nationale dont le jury est constitué d environ 2 000 élèves il a été créé en 1988 par l enseigne merciale culturelle en collaboration avec le rectorat de rennes 1 et avec la bienveillance de

un secret prix goncourt des lyca c ens 2004 et pr ol wise edu - Apr 23 2022

web et pr 1 un secret prix goncourt des lyca c ens 2004 et pr this is likewise one of the factors by obtaining the soft documents of this un secret prix goncourt des lyca c ens 2004 et pr by online you might not require more period to spend to go to the books inauguration as competently as search for them in some cases you likewise attain not

le prix goncourt des lycéens 2004 un secret - Jun 06 2023

web en 2004 les lycéens ont attribué leur prix goncourt à l écrivain philippe grimbert pour son roman un secret l histoire d un adolescent qui dans la france des années 50 découvre qu il a eu un demi frère disparu dans la tourmente de la guerre l interview de l auteur philippe grimbert

un secret prix goncourt des lyca c ens 2004 grand full pdf - May 25 2022

web 2 un secret prix goncourt des lyca c ens 2004 grand 2023 04 06 trament l héritage du père le secret d une mère l amour d une femme prix goncourt 1903 2003 Éditions emmanuelle collas anne carrière ma fille de 9 ans tient un journal intime

quels secrets peut elle bien avoir nous avons adopté un bébé devons nous lui

un secret prix goncourt des lyca c ens 2004 et pr rob - Oct 30 2022

web un secret prix goncourt des lyca c ens 2004 et pr in some cases you likewise pull off not discover the publication un secret prix goncourt des lyca c ens 2004 et pr that you are looking for it will enormously squander the time however below taking into account you visit this web page it will be correspondingly agreed easy to get as

un secret prix goncourt des lyca c ens 2004 et pr pdf - Mar 23 2022

web un secret prix goncourt des lyca c ens 2004 et pr 3 3 aussi affrontement entre les deux hommes durant lequel se déploient jeux de pouvoir et de fascination a travers ce roman c est à un voyage au delà des masques que nous convie philippe grimbert the cambridge history of the novel in french cambridge university press this history is the

un secret prix goncourt des lyca c ens 2004 et pr 2013 - May 05 2023

web 4 un secret prix goncourt des lyca c ens 2004 et pr 2022 02 16 economic socio political cultural artistic and environmental factors that shaped their worlds from the novel s medieval precursors to the impact of the internet the history provides fresh accounts of canonical and lesser known authors offering a global perspective beyond the

un secret prix goncourt des lyca c ens 2004 et pr pdf - Aug 08 2023

web oct 29 2023 nom de dieu un secret prix goncourt des lyca c ens 2004 et pr omb no 9258174732016 edited by brenden hicks xo orpheus rowman littlefield unforgiving years is a thrilling and terrifying journey into the disastrous blazing core of the twentieth century victor serge s final novel here translated into english for the first

un secret prix goncourt des lyca c ens 2004 grand full pdf - Sep 28 2022

web le narrateur de ce livre lui s est inventé un frère aîné beau et athlétique à l image de ses parents or ce grand frère rêvé a peut être une origine plus réelle et tragique qu il ne l imagine un secret familial qu il va découvrir ce grand classique contemporain a obtenu en 2004 le prix goncourt des lycéens

un secret prix goncourt des lyca c ens 2004 et pr - Aug 28 2022

web un secret prix goncourt des lyca c ens 2004 et pr 3 3 national borders of the hexagon to explore france s colonial past and its legacies accessible chapters range widely including the french novel in sub sahanan africa data analysis of the novel system in the seventeenth century social critique in women s writing sade s banned works and

un secret prix goncourt des lyca c ens 2004 et pr - Mar 03 2023

web le livre contemporain un secret prix goncourt des lyca c ens 2004 et pr downloaded from protease odontocompany com by guest richard quintin un secret this history is the first in a century to trace the development and impact of the novel in french from its beginnings to the present leading specialists explore how novelists writing in french have

un secret prix goncourt des lyca c ens 2004 et pr pdf - Jun 25 2022

web 4 un secret prix goncourt des lycées en 2004 et pr 2020 04 13 colloque qui a eu lieu à l université de glasgow en mars 2003 et analysent les succès les scandales et les débats littéraires que le prix a suscités et qui ont marqué le vingtième siècle le phénomène goncourt est abordé de plusieurs points de vue critiques aussi bien

un secret prix goncourt des lycées en 2004 et pr pdf - Sep 09 2023

web un secret prix goncourt des lycées en 2004 et pr finding the plot le livre contemporain secret récits contemporains d'endeuillés après suicide un garçon singulier et toujours elle

un secret prix goncourt des lycées en 2004 et pr 2022 - Apr 04 2023

web un secret prix goncourt des lycées en 2004 et pr downloaded from protese odontocompany com by guest cassandra odonnell the cambridge history of the novel in french lexington books en 2003 le prix goncourt fête son centenaire véritable événement dans l histoire des lettres françaises

un secret prix goncourt des lycéens 2004 et prix des lectrices de - Feb 02 2023

web may 5 2004 un secret prix goncourt des lycéens 2004 et prix des lectrices de elle 2005 [] philippe grimbert [] [] grasset [] [] 2004 05 05 [] 192 [] eur 15 50 [] broché isbn 9782246670117