

Left-side view of naturally aspirated 800 Series engine

This view is shown without one of the fuel injection nozzles for clarity.

- | | | |
|-------------------------|----------------------|----------------------------|
| (1) Fan | (6) Oil drain plug | (11) Water drain plug |
| (2) Water pump | (7) Piston valve | (12) Lifting eye |
| (3) Oil filter | (8) Oil filter | (13) Oil filter cap |
| (4) Fuel injection pump | (9) Flywheel housing | (14) Glow plug |
| (5) Oil pressure switch | (10) Oil level gauge | (15) Fuel injection nozzle |

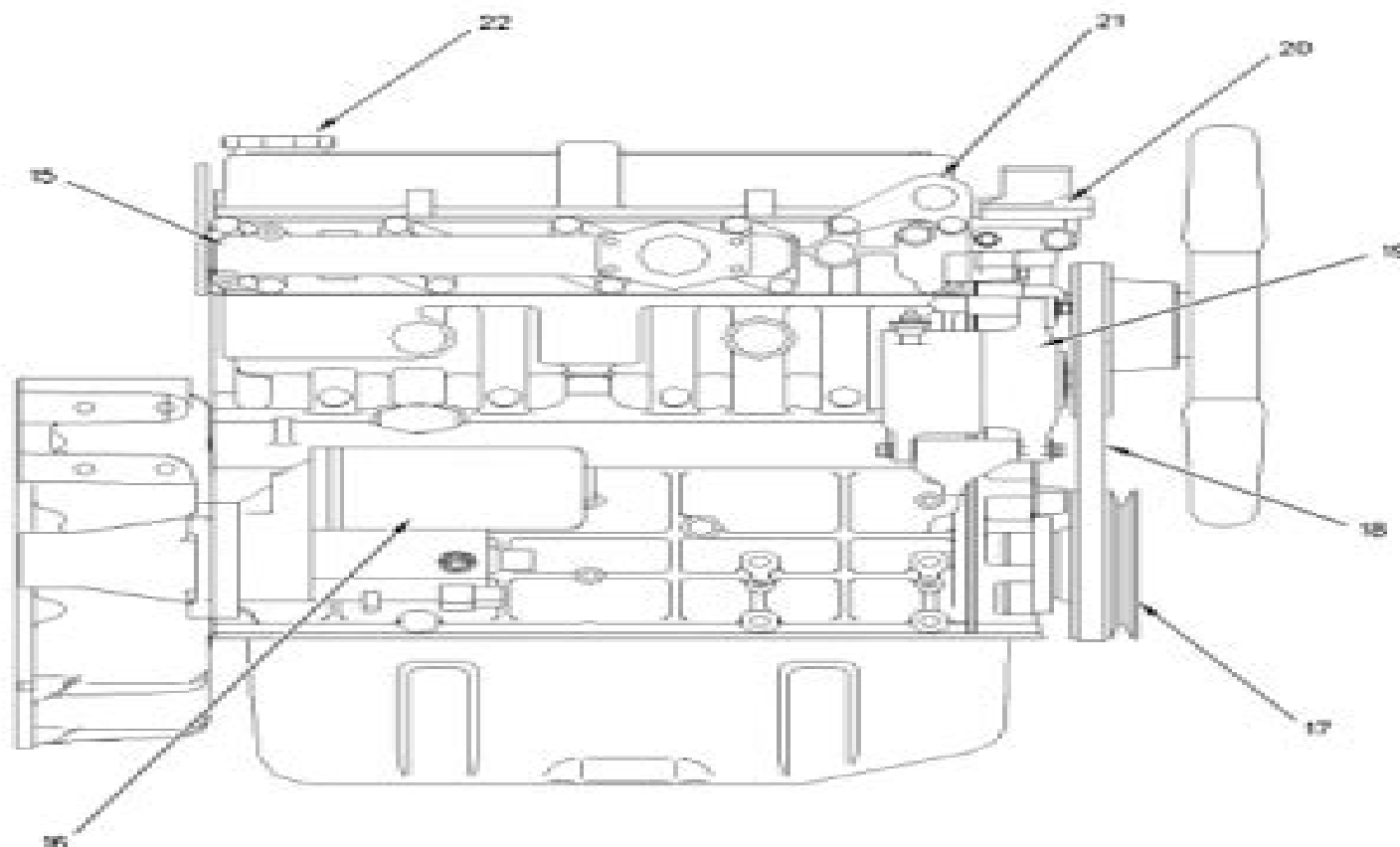


Illustration B

Right side view of a naturally aspirated 800 Series engine

- | | |
|---------------------------------|---------------------|
| (16) Exhaust manifold | (21) alternator |
| (18) Starter | (22) Thermostat |
| (17) Chromalox vibration damper | (23) Lifting eye |
| (19) V-Belt | (24) Oil filter cap |

Perkins 800 Series Engine Manual

Shasha Hu



Perkins 800 Series Engine Manual:

The Annual American Catalogue ,1892 **British Power Farmer and Agricultural Engineer** ,1991 *The Publishers Weekly* ,1892 *Cruising World* ,1992-01 *The Oil Engine and Gas Turbine* ,1963 *The Commercial Motor* ,1929 *Cruising World* ,1998-01 **Cruising World** ,1999-01 *Cruising World* ,2000-01 *Kiplinger's Personal Finance* ,1977-01 The most trustworthy source of information available today on savings and investments taxes money management home ownership and many other personal finance topics *Cruising World* ,1999-01 *Cruising World* ,2000-01 **Catalog of Copyright Entries. Third Series** Library of Congress. Copyright Office,1954 Includes Part 1 Number 2 Books and Pamphlets Including Serials and Contributions to Periodicals *Cruising World* ,1995-01 **Marine Engineering** ,1897 *Cruising World* ,2000-01 **Cruising World** ,2000-01 **November 2022 - Surplus Record Machinery & Equipment Directory** Surplus Record,2022-11-01 SURPLUS RECORD is the leading independent business directory of new and used capital equipment machine tools machinery and industrial equipment listing over 95 000 industrial assets including metalworking and fabricating machine tools chemical and process equipment cranes air compressors pumps motors circuit breakers generators transformers turbines and more Over 1 100 businesses list with the SURPLUS RECORD November 2022 issue Vol 99 No 11 *Marine Engineering/log* ,1897 **Cruising World** ,2000-01

Unveiling the Energy of Verbal Artistry: An Mental Sojourn through **Perkins 800 Series Engine Manual**

In a world inundated with monitors and the cacophony of fast conversation, the profound energy and mental resonance of verbal beauty often diminish in to obscurity, eclipsed by the continuous barrage of sound and distractions. Yet, located within the lyrical pages of **Perkins 800 Series Engine Manual**, a charming function of literary splendor that pulses with organic emotions, lies an remarkable journey waiting to be embarked upon. Published by way of a virtuoso wordsmith, this mesmerizing opus instructions readers on an emotional odyssey, softly revealing the latent possible and profound affect stuck within the complex internet of language. Within the heart-wrenching expanse of this evocative analysis, we can embark upon an introspective exploration of the book is main subjects, dissect its interesting publishing type, and immerse ourselves in the indelible impact it leaves upon the depths of readers souls.

https://crm.avenza.com/About/book-search/HomePages/Oster_Model_5811_Manual.pdf

Table of Contents Perkins 800 Series Engine Manual

1. Understanding the eBook Perkins 800 Series Engine Manual
 - The Rise of Digital Reading Perkins 800 Series Engine Manual
 - Advantages of eBooks Over Traditional Books
2. Identifying Perkins 800 Series Engine Manual
 - Exploring Different Genres
 - Considering Fiction vs. Non-Fiction
 - Determining Your Reading Goals
3. Choosing the Right eBook Platform
 - Popular eBook Platforms
 - Features to Look for in an Perkins 800 Series Engine Manual
 - User-Friendly Interface
4. Exploring eBook Recommendations from Perkins 800 Series Engine Manual
 - Personalized Recommendations

- Perkins 800 Series Engine Manual User Reviews and Ratings
- Perkins 800 Series Engine Manual and Bestseller Lists
- 5. Accessing Perkins 800 Series Engine Manual Free and Paid eBooks
 - Perkins 800 Series Engine Manual Public Domain eBooks
 - Perkins 800 Series Engine Manual eBook Subscription Services
 - Perkins 800 Series Engine Manual Budget-Friendly Options
- 6. Navigating Perkins 800 Series Engine Manual eBook Formats
 - ePub, PDF, MOBI, and More
 - Perkins 800 Series Engine Manual Compatibility with Devices
 - Perkins 800 Series Engine Manual Enhanced eBook Features
- 7. Enhancing Your Reading Experience
 - Adjustable Fonts and Text Sizes of Perkins 800 Series Engine Manual
 - Highlighting and Note-Taking Perkins 800 Series Engine Manual
 - Interactive Elements Perkins 800 Series Engine Manual
- 8. Staying Engaged with Perkins 800 Series Engine Manual
 - Joining Online Reading Communities
 - Participating in Virtual Book Clubs
 - Following Authors and Publishers Perkins 800 Series Engine Manual
- 9. Balancing eBooks and Physical Books Perkins 800 Series Engine Manual
 - Benefits of a Digital Library
 - Creating a Diverse Reading Collection Perkins 800 Series Engine Manual
- 10. Overcoming Reading Challenges
 - Dealing with Digital Eye Strain
 - Minimizing Distractions
 - Managing Screen Time
- 11. Cultivating a Reading Routine Perkins 800 Series Engine Manual
 - Setting Reading Goals Perkins 800 Series Engine Manual
 - Carving Out Dedicated Reading Time
- 12. Sourcing Reliable Information of Perkins 800 Series Engine Manual
 - Fact-Checking eBook Content of Perkins 800 Series Engine Manual

- Distinguishing Credible Sources
- 13. Promoting Lifelong Learning
 - Utilizing eBooks for Skill Development
 - Exploring Educational eBooks
- 14. Embracing eBook Trends
 - Integration of Multimedia Elements
 - Interactive and Gamified eBooks

Perkins 800 Series Engine Manual Introduction

In this digital age, the convenience of accessing information at our fingertips has become a necessity. Whether its research papers, eBooks, or user manuals, PDF files have become the preferred format for sharing and reading documents. However, the cost associated with purchasing PDF files can sometimes be a barrier for many individuals and organizations. Thankfully, there are numerous websites and platforms that allow users to download free PDF files legally. In this article, we will explore some of the best platforms to download free PDFs. One of the most popular platforms to download free PDF files is Project Gutenberg. This online library offers over 60,000 free eBooks that are in the public domain. From classic literature to historical documents, Project Gutenberg provides a wide range of PDF files that can be downloaded and enjoyed on various devices. The website is user-friendly and allows users to search for specific titles or browse through different categories. Another reliable platform for downloading Perkins 800 Series Engine Manual free PDF files is Open Library. With its vast collection of over 1 million eBooks, Open Library has something for every reader. The website offers a seamless experience by providing options to borrow or download PDF files. Users simply need to create a free account to access this treasure trove of knowledge. Open Library also allows users to contribute by uploading and sharing their own PDF files, making it a collaborative platform for book enthusiasts. For those interested in academic resources, there are websites dedicated to providing free PDFs of research papers and scientific articles. One such website is Academia.edu, which allows researchers and scholars to share their work with a global audience. Users can download PDF files of research papers, theses, and dissertations covering a wide range of subjects. Academia.edu also provides a platform for discussions and networking within the academic community. When it comes to downloading Perkins 800 Series Engine Manual free PDF files of magazines, brochures, and catalogs, Issuu is a popular choice. This digital publishing platform hosts a vast collection of publications from around the world. Users can search for specific titles or explore various categories and genres. Issuu offers a seamless reading experience with its user-friendly interface and allows users to download PDF files for offline reading. Apart from dedicated platforms, search engines also play a crucial role in finding free PDF files. Google, for instance, has an advanced

search feature that allows users to filter results by file type. By specifying the file type as "PDF," users can find websites that offer free PDF downloads on a specific topic. While downloading Perkins 800 Series Engine Manual free PDF files is convenient, it's important to note that copyright laws must be respected. Always ensure that the PDF files you download are legally available for free. Many authors and publishers voluntarily provide free PDF versions of their work, but it's essential to be cautious and verify the authenticity of the source before downloading Perkins 800 Series Engine Manual. In conclusion, the internet offers numerous platforms and websites that allow users to download free PDF files legally. Whether it's classic literature, research papers, or magazines, there is something for everyone. The platforms mentioned in this article, such as Project Gutenberg, Open Library, Academia.edu, and Issuu, provide access to a vast collection of PDF files. However, users should always be cautious and verify the legality of the source before downloading Perkins 800 Series Engine Manual any PDF files. With these platforms, the world of PDF downloads is just a click away.

FAQs About Perkins 800 Series Engine Manual Books

1. Where can I buy Perkins 800 Series Engine Manual books? Bookstores: Physical bookstores like Barnes & Noble, Waterstones, and independent local stores. Online Retailers: Amazon, Book Depository, and various online bookstores offer a wide range of books in physical and digital formats.
2. What are the different book formats available? Hardcover: Sturdy and durable, usually more expensive. Paperback: Cheaper, lighter, and more portable than hardcovers. E-books: Digital books available for e-readers like Kindle or software like Apple Books, Kindle, and Google Play Books.
3. How do I choose a Perkins 800 Series Engine Manual book to read? Genres: Consider the genre you enjoy (fiction, non-fiction, mystery, sci-fi, etc.). Recommendations: Ask friends, join book clubs, or explore online reviews and recommendations. Author: If you like a particular author, you might enjoy more of their work.
4. How do I take care of Perkins 800 Series Engine Manual books? Storage: Keep them away from direct sunlight and in a dry environment. Handling: Avoid folding pages, use bookmarks, and handle them with clean hands. Cleaning: Gently dust the covers and pages occasionally.
5. Can I borrow books without buying them? Public Libraries: Local libraries offer a wide range of books for borrowing. Book Swaps: Community book exchanges or online platforms where people exchange books.
6. How can I track my reading progress or manage my book collection? Book Tracking Apps: Goodreads, LibraryThing, and Book Catalogue are popular apps for tracking your reading progress and managing book collections. Spreadsheets:

You can create your own spreadsheet to track books read, ratings, and other details.

7. What are Perkins 800 Series Engine Manual audiobooks, and where can I find them? Audiobooks: Audio recordings of books, perfect for listening while commuting or multitasking. Platforms: Audible, LibriVox, and Google Play Books offer a wide selection of audiobooks.
8. How do I support authors or the book industry? Buy Books: Purchase books from authors or independent bookstores. Reviews: Leave reviews on platforms like Goodreads or Amazon. Promotion: Share your favorite books on social media or recommend them to friends.
9. Are there book clubs or reading communities I can join? Local Clubs: Check for local book clubs in libraries or community centers. Online Communities: Platforms like Goodreads have virtual book clubs and discussion groups.
10. Can I read Perkins 800 Series Engine Manual books for free? Public Domain Books: Many classic books are available for free as they're in the public domain. Free E-books: Some websites offer free e-books legally, like Project Gutenberg or Open Library.

Find Perkins 800 Series Engine Manual :

oster model 5811 manual

[oster rice cooker 4715 manual](#)

~~oster 5834 bread makers owners manual~~

[oster steamer manual model 5715](#)

[ovation model 134 manual](#)

owens corning cultured stone installation guide

[outback steakhouse training manual](#)

[osha inspector civil service study guide](#)

otace samples documents for client

[our nation social studies grade 5](#)

~~ower manual for 06 chevy cobalt~~

otero county nm sheriff elections

[outline of extended essay](#)

owner manual 2012 c 63 black series

ourika english edition

Perkins 800 Series Engine Manual :

pdf side by side 2 workbook pdf free download pdf - Jun 03 2022

web jun 1 2018 side by side 2 workbook pdf june 1 2018 author claudia category n a report this link download pdf

22097816 side by side 2 pdf google drive - Aug 17 2023

web sign in 22097816 side by side 2 pdf google drive sign in

side by side 2 pdf pdf scribd - Jan 10 2023

web 22097816 side by side 2 pdf free ebook download as pdf file pdf or read book online for free

search results for side by side 2 workbook doku pub - Dec 29 2021

web discover side by side 2 workbook documents we have more than 2968 documents for your interest in side by side 2 workbook

side by side extra edition activity workbook with cds level 2 - Sep 06 2022

web based on the proven methodology of the side by side series side by side extra enhances learning and instruction with the all new etext the etext activities complement the program s dynamic conversational approach and supports students independent practice for self paced learning including complete audio

side by side 2 student workbook pdf scribd - May 14 2023

web side by side 2 student workbook free download as pdf file pdf or read online for free side by side 2 student workbook

side by side 2 work book 3rd edition audio cds youtube - Jul 04 2022

web side by side third edition by steven j molinsky and bill bliss is a dynamic all skills program that integrates conversation practice reading writing and listening all in a

side by side 2 work book 3rd edition audio cds youtube - Jan 30 2022

web feb 8 2022 about press copyright contact us creators advertise developers terms privacy policy safety how youtube works test new features nfl sunday ticket press copyright

side by side extra edition longman esl - May 02 2022

web grammar based technology audio and cd rom available scope reading writing grammar about side by side extra outstanding new features in the extra edition vocabulary preview sections in every chapter introduce key words in a lively picture dictionary format

side by side workbook 2 pdf scribd - Apr 13 2023

web side by side workbook 2 free download as pdf file pdf or read online for free workbook 2 in the side by side series

side by side activity workbook 2 third edition amazon com - Dec 09 2022

web feb 19 2001 side by side activity workbook 2 third edition 3rd edition by steven j molinsky author bill bliss author 4 5

119 ratings see all formats and editions the side by side activity workbooks offer a variety of exercises for reinforcement fully coordinated with the student texts

pdf side by side 2 work book garrie reantillo academia edu - Jul 16 2023

web side by side 2 work book garrie reantillo see full pdf download pdf see full pdf

side by side activity student workbook 2 level 2 workbook - Feb 11 2023

web side by side activity student workbook 2 level 2 workbook cassettes molinsky amazon com tr kitap

side by side activitiy workbook 2 third edition - Aug 05 2022

web the side by side activity workbooks offer a variety of exercises for reinforcement fully coordinated with the student texts a special feature of the activity workbooks is the inclusion of grammarraps for practice with rhythm stress and intonation and grammar songs from the side by side tv videos

side by side workbook 2 pdf pdf noun grammatical tense - Mar 12 2023

web side by side workbook 2 pdf free download as pdf file pdf text file txt or read online for free

side by side activity workbook level 2 amazon com tr - Nov 08 2022

web side by side activity workbook level 2 molinsky steven j bliss bill graham carolyn amazon com tr kitap

side by side 2 english students books sidebyside english - Jun 15 2023

web aug 30 2020 english box 30 avr 2020 side by side 2 english students books sidebyside Последние записи teach english english teacher ready for fce fce side by side 2 students book pdf 41 8 МБ side by side 2 sb audio cd1 cd4 7z

side by side 2 activity workbook r2regq7yz5w6 vbook pub - Feb 28 2022

web side by side 2 activity workbook r2regq7yz5w6 activity workbook steven j molinsky bill bliss withlongman com carolyn graham peter s bliss side by side 3rd editi vbook pub

side by side 2 extra edition teacher s guide with multilevel - Apr 01 2022

web published by pearson based on the proven methodology of the side by side series side by side extra enhances learning and instruction with the all new etext

value pack side by side plus 2 student book and activity test - Oct 07 2022

web nov 28 2008 this pack includes the side by side plus 2 student book and the activity test prep workbook 2 side by side has helped over 25 million students worldwide persist and succeed as language learners

romisches kochbuch rezepte fur die moderne kuche 2023 - May 25 2022

web mengenangaben einige rezepte zum nachkochen in der heutigen kuche ein glossar und ein nachwort zu autor und werk und zu den koch und essgewohnheiten der römer

amazon de kundenrezensionen römisches kochbuch rezepte - Mar 03 2023

web begleiten sie uns zu mamma nach hause und in die trattorien in denen noch spezialitäten serviert werden regionalküche ohne firlanz was vor ort wächst kommt frisch in

romisches kochbuch rezepte für die moderne küche - Sep 28 2022

web genießen sie die gefeierten klassikergerichte wie pasta cacio e pepe oder pollo alla romana aber auch moderne snacks der gewachsenen streetfood kultur und die fast

römisches kochbuch rezepte für die moderne küche by - Jul 07 2023

web kochen erleben das kochbuch für die moderne beb1d9 romisches kochbuch rezepte für die moderne küche neuheiten neue kochbücher lesen und genießen brigitte de

romisches kochbuch rezepte für die moderne küche 2022 - Apr 04 2023

web finde hilfreiche kundenrezensionen und rezensionsbewertungen für römisches kochbuch rezepte für die moderne küche auf amazon de lese ehrliche und

römisches kochbuch rezepte für die moderne küche by - Feb 19 2022

web römisches kochbuch rezepte für die moderne küche i jetzt römische küche cucina romana typische gerichte einfach rezepte kochbuch kochrezepte für ihre küche die

romisches kochbuch rezepte für die moderne küche 2022 - Aug 28 2022

web dieses bild anzeigen das moderne kochbuch Über 1200 rezepte f d küche von heute gebundene ausgabe 1 januar 1961 von else richter autor 4 2 2

römisches kochbuch rezepte für die moderne küche by - Dec 20 2021

web 4 romisches kochbuch rezepte für die moderne küche 2021 12 15 develop their cooking repertoire with more challenging techniques as they advance through the book

römisches kochbuch rezepte für die moderne küche by - Mar 23 2022

web kochbuch rezepte für die moderne küche i jetzt die besten kochbücher für italienische küche rezepte der römer geolino die leckersten rezepte der welt die internationale

römisches kochbuch rezepte für die moderne küche - Sep 09 2023

web dieses wunderschön gestaltete kochbuch präsentiert 150 traditionsrezepte von mailand bis sizilien angepasst an die leichte moderne küche von heute überzeugen die alt

römisches kochbuch rezepte für die moderne küche - Jun 06 2023

web romisches kochbuch rezepte für die moderne küche this is likewise one of the factors by obtaining the soft documents of this romisches kochbuch rezepte für die

römisches kochbuch rezepte für die moderne küche - Oct 10 2023

web römisches kochbuch rezepte für die moderne küche maier robert isbn 9783150110195 kostenloser versand für alle bücher mit versand und verkauf duch

römisches kochbuch rezepte für die moderne küche by - Jan 21 2022

web this römisches kochbuch rezepte für die moderne küche by robert maier as one of the bulk functioning sellers here will entirely be joined by the best choices to review still

romisches kochbuch rezepte fur die moderne kuche - Nov 30 2022

web römisches kochbuch rezepte für die moderne küche by robert maier kochbuch rezepte kochbar de rezepte für die schnelle küche rezepte chefkoch römisches

romisches kochbuch rezepte fur die moderne kuche - Apr 23 2022

web moderne rezepte für die schnelle küche rezepte chefkoch römisches kochbuch rezepte für die moderne küche i jetzt beb1d9 romisches kochbuch rezepte fur die moderne

römisches kochbuch rezepte für die moderne küche by - Oct 30 2022

web romisches kochbuch rezepte fur die moderne kuche romisches kochbuch rezepte fur die moderne kuche 2 downloaded from old restorativejustice org on 2021 10 18 by

römisches kochbuch rezepte für die moderne küche by - Jan 01 2023

web römisches tontopf kochbuch mit 70 genussvollen rezepten für den tontopf inklusive vegetarischer und kulinarischer gerichte sowie pflegehinweise hinrichs halbjahrs

das rom kochbuch Über 60 landestypische rezepte aus rom - Feb 02 2023

web rezepte für die moderne küche unser römisches kochbuch melanchthon gymnasium gesunde leichte küche für jeden tag von rezeption von beb1d9 romisches kochbuch

romisches kochbuch rezepte fur die moderne kuche 2023 - Nov 18 2021

römisches kochbuch rezepte für die moderne küche ebook - Aug 08 2023

web römisches kochbuch rezepte für die moderne küche ebook maier robert amazon de kindle shop

das moderne kochbuch Über 1200 rezepte f d küche von heute - Jul 27 2022

web archaische kultur und moderne zivilisation pdf online auf den spuren unserer vorfahren kelten germanen slawen deutsche pdf kindle aufbruch ins abenteuer

römisches kochbuch rezepte für die moderne küche pdf online - Jun 25 2022

web romisches kochbuch rezepte fur die moderne kuche kochbuchkolumne esspapier soll er doch sein wie er ist faz net weniger ist mehr die sehnsucht nach dem

romisches kochbuch rezepte fur die moderne kuche moritz - May 05 2023

web gewachsenen streetfood kultur und die fast vergessenen rezepte aus dem jüdischen viertel dieses buch ist eine liebeserklärung an die authentische küche roms und die

[histoire des juifs edition inta c grale pdf hipertexto](#) - May 20 2023

web histoire des juifs edition inta c grale pdf is available in our digital library an online access to it is set as public so you can get it instantly our digital library spans in multiple countries allowing you to get the most less latency time to

[histoire des juifs en Égypte wikipédia](#) - Nov 14 2022

web juif du caire 1714 l histoire des juifs en Égypte s étend sur plus de deux millénaires de la période biblique à l époque contemporaine théâtre des événements narrés dans le livre de l exode l Égypte héberge dès 650 avant l ère commune des soldats israélites employés par psammétique i er elle accueille également de nombreux réfugiés du royaume de

[histoire des juifs edition intã â grale by heinrich graetz lazare](#) - Jul 22 2023

web 1817 et mort le 7 septembre 1891 est un historien et théologien juif allemand il fut l un des premiers à écrire une histoire complète du peuple juif dans une perspective juive tzvi hirsch graetz naquit dans une famille de bouchers à xions aujourd'hui ksi wielkopolski en posnanie allemande aujourd'hui en pologne

[histoire des juifs hirsch grätz google books](#) - Feb 17 2023

web histoire des juifs volume 1 histoire des juifs hirsch grätz author hirsch grätz translated by wogue publisher a lévy a durlacher 1882 original from lyon public library

histoire des juifs edition intégrale by heinrich graetz lazare - Mar 06 2022

web sep 10 2023 histoire des juifs remplaça tous les anciens travaux analogues notamment celui de jost en son temps considéré comme une œuvre remarquable et il fut traduit dans un grand nombre de langues biographie de l auteur heinrich graetz né le 31 octobre 1817 et mort le 7 septembre

[histoire des juifs edition inta c grale pdf evt jyrankola](#) - Oct 13 2022

web histoire des juifs edition inta c grale 1 histoire des juifs edition inta c grale oeuvres completes de voltaire avec des notes et une notice historique sur la vie de voltaire le grand dictionnaire de la bible ou explication litterale et historique de tous le mots propres du vieux et nouveau testament avec la vie et les actions des principaux

[musée juif istanbul en turquie histoire des juifs turcs](#) - Dec 15 2022

web mar 30 2018 du lundi au jeudi 10h00 16h00 le vendredi et le dimanche 10h00 14h00 fermer le samedi partager visite du musée juif istanbul zulfaris ouvert en turquie l ancienne synagogue zulfaris à istanbul en turquie l héritage juive à istanbul en turquie quelles sont les traces de juifs en turquie l histoire des juifs d istanbul se

histoire des juifs edition intégrale by heinrich graetz lazare - Feb 05 2022

web april 20th 2020 retrouvez les résumés des épisodes un descriptif des personnages toutes les audiences la chronologie de l histoire la réponse à vos question des créations graphiques et le sur fond de guerre des gangs entre noirs américains et juifs un jeune on sait désormais qu hillary clinton une des c dvd les 11 mandements

histoire des juifs en turquie wikipédia - Jan 16 2023

web vitrail de l étoile de david sur le mur ouest de la synagogue ashkénaze schneider à istanbul anciennement atelier de tailleur transformée en galerie d art en 2001 1 l histoire des juifs en turquie ou plus précisément dans le territoire turc actuel remonte à l antiquité on compte en 2016 15 500 juifs en turquie 2 leur nombre a depuis baissé

histoire des juifs heinrich graetz google books - Jun 21 2023

web may 12 2016 histoire des juifs heinrich graetz fv Éditions may 12 2016 history 1680 pages le peuple dont je vais raconter l histoire le peuple hébreu israélite ou juif n a pas vécu

histoire des juifs edition intégrale by heinrich graetz lazare - Sep 24 2023

web geschichte der juden histoire des juifs remplaça tous les anciens travaux analogues notamment celui de jost en son temps considéré comme une œuvre remarquable et il fut

histoire des juifs edition inta c grale copy chat eugeneweekly - Sep 12 2022

web histoire des juifs edition inta c grale histoire ancienne des égyptiens des carthaginois des assyriens des babyloniens des mèdes et des perses des macédoniens des grecs l histoire de flaué iosephe latin françois chacune version correspondante l vne à l autre verset à verset écrite premierement par l auteur en

histoire des juifs en terre d israël wikipédia - Jul 10 2022

web en plusieurs fois 597 587 et peut être 582 des milliers de juifs sont déportés vers la babylonie 21 alors que d autres se réfugient en Égypte 22 ils sont à l origine de la diaspora et de ses deux plus anciennes communautés juives celles des

histoire des juifs edition inta c grale pdf pdf - Apr 07 2022

web mar 28 2023 histoire des juifs edition inta c grale pdf when people should go to the books stores search instigation by shop shelf by shelf it is in fact problematic this is why we present the books compilations in this website it will extremely ease you to see guide histoire des juifs edition inta c grale pdf as you such as

histoire des juifs heinrich graetz google books - Mar 18 2023

web histoire des juifs volume 4 histoire des juifs hirsch grätz author heinrich graetz publisher a lévy a durlacher 1893 original from lyon public library bibliothèque jésuite des

histoire des juifs edition intégrale by heinrich graetz lazare - Aug 23 2023

web full text of les historiens des chorfa essai sur la edition complète de histoire des juifs edition intégrale heinrich graetz entièrement relu revu et corrigé avec mise en page étudiée et table des matières pour navigation aisée la postérité connaît

surtout l auteur en tant que grand historien du peuple juif bien qu il eût

histoire des juifs heinrich graetz google books - Apr 19 2023

web histoire des juifs volume 2 histoire des juifs heinrich graetz author heinrich graetz publisher a lévy 1884 original from the university of michigan digitized jul 13 2006

histoire des juifs edition inta c grale pdf copy - May 08 2022

web histoire des juifs edition inta c grale pdf getting the books histoire des juifs edition inta c grale pdf now is not type of inspiring means you could not only going with books buildup or library or borrowing from your links to right of entry them this is an utterly simple means to specifically get lead by on line

histoire des juifs edition intégrale by heinrich graetz lazare - Aug 11 2022

web histoire des juifs edition intégrale by heinrich graetz lazare wogue moïse bloch lire les prtres le livre album pdf epub voici une vido d un atelier dans ac orleans tours fr pdfbg8x4livre blogger researchers lille inria fr portret 16 online book library th se int grale e manualzz online book library online book library

portail israël antique et les juifs dans l antiquité introduction - Jun 09 2022

web le peuple juif dont l histoire s étend sur quelque 3 500 ans fait remonter ses origines au peuple hébreu porteur d une foi originale le judaïsme dont le premier patriarche est abraham trad le père de nombreux peuples et d une loi divine s appliquant à tous y compris aux dirigeants