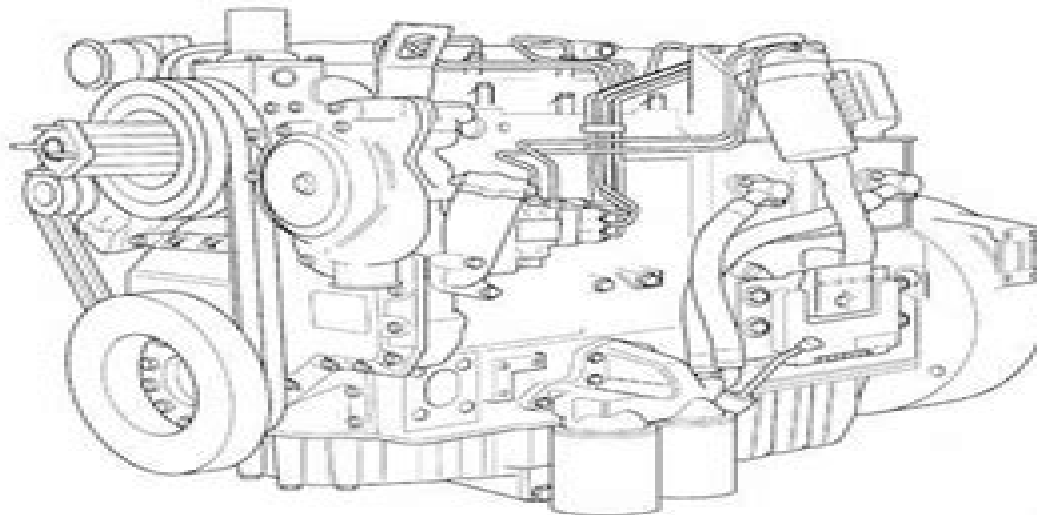


ENGINE



SERVICE MANUAL

Perkins®
1100 Series 6-Cylinder Diesel Engine



Perkins Serie 2015 Service Manual

**Marwa Zakaria, Tamer Hassan, Laila
Sherief, Osaro Erhabor**

Perkins Serie 2015 Service Manual:

Manual of Dietetic Practice Joan Gandy, 2019-06-13 The authoritative guide for dietetic students and both new and experienced dietitians endorsed by the British Dietetic Association Now in its sixth edition the bestselling Manual of Dietetic Practice has been thoroughly revised and updated to include the most recent developments and research on the topic Published on behalf of the British Dietetic Association this comprehensive resource covers the entire dietetics curriculum and is an ideal reference text for healthcare professionals to develop their expertise and specialist skills in the realm of dietetic practice This important guide includes The latest developments and scientific evidence in the field New data on nutrition and health surveillance programs Revised and updated evidence based guidelines for dietetic practice An exploration of how Public Health England has influenced the field Practical advice on public health interventions and monitoring A companion website with helpful materials to support and develop learning Written for dietitians clinical nutritionists and other healthcare professionals by leading dietitians and other professionals the Manual of Dietetic Practice continues to provide a crucial resource for experts and novices alike

The Royal Marsden Manual of Cancer Nursing Procedures Sara Lister, Lisa Dougherty, Louise McNamara, 2018-11-20 The Royal Marsden is the world's first hospital dedicated to cancer diagnosis treatment research and education a centre of excellence with an international reputation for ground breaking research and pioneering the very latest in cancer treatments and technologies as well as specialising in cancer diagnosis and education This companion volume to the internationally successful The Royal Marsden Manual of Clinical Nursing Procedures is designed to support practitioners who work specifically with oncology patients by providing detailed evidence based procedures and rationale and problem solving guidance on all aspects of oncology nursing The Royal Marsden Manual of Cancer Nursing Procedures Is organized and structured to represent the needs of the patient along their care pathway Provides the latest evidence underpinning all procedures Includes information on haematological procedures pain assessment and management wound care oncological emergencies and end of life care Gives detailed guidelines on supporting patients living with cancer with practical information on such things as benefits exercise and nutrition The Royal Marsden Manual of Cancer Nursing Procedures is an invaluable definitive resource for all those involved in the provision of cancer care and support to patients and their families

Paramedic Research Julia Williams, Graham McClelland, 2025-06-13 Research is fundamental in generating evidence to inform best practice Not only does it drive improvements in patient care but it also fosters the ongoing advancement of a profession As the paramedic profession grows so does the need for robust research Paramedic Research Principles Designs and Methods harnesses the expertise of over 40 contributors from across the UK and beyond each offering a wealth of insight and experience The result is a practical resource which guides you through the entirety of the research process from identifying areas needing investigation and designing research questions to data collection analysis and presenting your findings in a meaningful way Context is

everything so this book draws on examples of research undertaken in settings that are familiar to unplanned urgent and emergency care staff This allows you to focus on the essential elements of research philosophies principles and constructs without needing to learn about new healthcare environments If you are hoping to master the transformative power of research within the prehospital and emergency care setting understand its relevance and embrace it as an integral component of clinical practice then this book is for you **United States Government Organization Manual** ,1950

Moody's Manual of Investments, American and Foreign ,1928 *The VSITE Review Manual - E-Book* Michael D.

Sgroi,Guillermo A. Escobar,2024-05-08 Spend more time studying the most important exam topics and less time searching for them The VSITE Review Manual is a succinct high yield resource designed to help you make the most of your preparation for this challenging exam This streamlined focused review tool makes it easy to find the essential information on each topic you need to master for success on the VSITE Offers a condensed high yield source of critical information for vascular surgery residents and fellows as well as for practicing surgeons who are preparing for the recertification exam Uses an easy to read outline and list format to help you find information quickly and retain what you read and review Features quick references tables images and self assessment questions that enhance and highlight the need to know information in this unique review tool Provides a strong knowledge foundation in vascular surgery helping you increase your confidence as you prepare for the VSITE Any additional digital ancillary content may publish up to 6 weeks following the publication date **Danger in**

Police Culture Gráinne Perkins,2023-12-11 Through ethnographic research in South Africa this book explores the lived experiences of police navigating danger and death Moody's Manual of Investments John Sherman Porter,1928 American government securities 1928 53 in 5 annual vols v 1 Railroad securities 1952 53 Transportation v 2 Industrial securities v 3 Public utility securities v 4 Government securities 1928 54 v 5 Banks insurance companies investment trusts real estate finance and credit companies 1928 54 **200 technical questions and answers for job interview Offshore Oil & Gas**

Rigs Petrogav International Oil & Gas Training Center,2020-06-30 The job interview is probably the most important step you will take in your job search journey Because it s always important to be prepared to respond effectively to the questions that employers typically ask at a job interview Petrogav International has prepared this eBooks that will help you to get a job in oil and gas industry Since these questions are so common hiring managers will expect you to be able to answer them smoothly and without hesitation This eBook contains 200 questions and answers for job interview and as a BONUS web addresses to 230 video movies for a better understanding of the technological process This course covers aspects like HSE Process Mechanical Electrical and Instrumentation Control that will enable you to apply for any position in the Oil and Gas Industry

150 technical questions and answers for job interview Offshore Drilling Rigs Petrogav International Oil & Gas Training Center,2020-06-28 The job interview is probably the most important step you will take in your job search journey Because it s always important to be prepared to respond effectively to the questions that employers typically ask at a job interview

Petrogav International has prepared this eBooks that will help you to get a job in oil and gas industry Since these questions are so common hiring managers will expect you to be able to answer them smoothly and without hesitation This eBook contains 150 questions and answers for job interview and as a BONUS 230 links to video movies This course covers aspects like HSE Process Mechanical Electrical and Instrumentation Control that will enable you to apply for any position in the Oil and Gas Industry **Mergent Municipal & Government Manual** ,2007 *150 technical questions and answers for job interview Offshore Oil & Gas Platforms* Petrogav International Oil & Gas Training Center,2020-06-30 The job interview is probably the most important step you will take in your job search journey Because it s always important to be prepared to respond effectively to the questions that employers typically ask at a job interview Petrogav International has prepared this eBooks that will help you to get a job in oil and gas industry Since these questions are so common hiring managers will expect you to be able to answer them smoothly and without hesitation This eBook contains 150 questions and answers for job interview and as a BONUS web addresses to 220 video movies for a better understanding of the technological process This course covers aspects like HSE Process Mechanical Electrical and Instrumentation Control that will enable you to apply for any position in the Oil and Gas Industry **Technical questions and answers for job interview Offshore Oil & Gas Platforms** Petrogav International Oil & Gas Training Center,2020-06-30 The job interview is probably the most important step you will take in your job search journey Because it s always important to be prepared to respond effectively to the questions that employers typically ask at a job interview Petrogav International has prepared this eBooks that will help you to get a job in oil and gas industry Since these questions are so common hiring managers will expect you to be able to answer them smoothly and without hesitation This eBook contains 273 questions and answers for job interview and as a BONUS web addresses to 100 video movies for a better understanding of the technological process This course covers aspects like HSE Process Mechanical Electrical and Instrumentation Control that will enable you to apply for any position in the Oil and Gas Industry *Thalassemia Syndromes* Marwa Zakaria,Tamer Hassan,Laila Sherief,Osaro Erhabor,2023-11-22 The thalassemia syndromes are a diverse group of hereditary anemias caused by decreased or absent production of one type of globin chain Genetic counseling prenatal diagnosis and newborn screening are all issues of importance in these inherited disorders This book provides a comprehensive overview of thalassemia including information on its mechanisms and treatment modalities Chapters elucidate the mechanism of disordered synthesis of hemoglobin in thalassemia and present recent studies of the genetic mechanisms that underlie this abnormal biosynthetic process *Technical questions and answers for job interview Offshore Drilling Platforms* PETROGAV INTERNATIONAL, This book offers you a brief but very involved look into the operations in the drilling of an oil gas wells that will help you to be prepared for job interview at oil gas companies From start to finish you ll see a general prognosis of the drilling process If you are new to the oil gas industry you ll enjoy having a leg up with the knowledge of these processes If you are a seasoned oil gas person you ll enjoy reading what you may or may not

know in these pages This course provides a non technical overview of the phases operations and terminology used on offshore drilling platforms It is intended also for non drilling personnel who work in the offshore drilling exploration and production industry This includes marine and logistics personnel accounting administrative and support staff environmental professionals etc No prior experience or knowledge of drilling operations is required This course will provide participants a better understanding of the issues faced in all aspects of drilling operations with a particular focus on the unique aspects of offshore operations

Technical questions and answers for job interview Offshore Oil & Gas Rigs Petrogav International Oil & Gas Training Center,2020-06-29 The job interview is probably the most important step you will take in your job search journey Because it s always important to be prepared to respond effectively to the questions that employers typically ask at a job interview Petrogav International has prepared this eBooks that will help you to get a job in oil and gas industry Since these questions are so common hiring managers will expect you to be able to answer them smoothly and without hesitation This eBook contains 273 questions and answers for job interview and as a BONUS web addresses to 218 video movies for a better understanding of the technological process This course covers aspects like HSE Process Mechanical Electrical and Instrumentation Control that will enable you to apply for any position in the Oil and Gas Industry

Questions and answers for job interview Offshore Oil & Gas Platforms Petrogav International Oil & Gas Training Center,2020-07-01 The job interview is probably the most important step you will take in your job search journey Because it s always important to be prepared to respond effectively to the questions that employers typically ask at a job interview Petrogav International has prepared this eBooks that will help you to get a job in oil and gas industry Since these questions are so common hiring managers will expect you to be able to answer them smoothly and without hesitation This eBook contains 291 questions and answers for job interview and as a BONUS web addresses to 288 video movies for a better understanding of the technological process This course covers aspects like HSE Process Mechanical Electrical and Instrumentation Control that will enable you to apply for any position in the Oil and Gas Industry

Training for job interview Offshore Oil & Gas Platforms Petrogav International Oil & Gas Training Center,2020-07-01 The job interview is probably the most important step you will take in your job search journey Because it s always important to be prepared to respond effectively to the questions that employers typically ask at a job interview Petrogav International has prepared this eBooks that will help you to get a job in oil and gas industry Since these questions are so common hiring managers will expect you to be able to answer them smoothly and without hesitation This eBook contains 281 questions and answers for job interview and as a BONUS web addresses to 289 video movies for a better understanding of the technological process This course covers aspects like HSE Process Mechanical Electrical and Instrumentation Control that will enable you to apply for any position in the Oil and Gas Industry

Monthly Catalogue, United States Public Documents ,1990-03 **Corrosion and Protection of Reinforced Concrete** Brian Cherry,Warren Green,2021-03-16 Reinforced concrete is the most widely used construction material in the world and

extended performance is rightly expected Many structures are in aggressive environments of critical importance and may be irreplaceable so repair and protection are vital This book surveys deterioration of concrete particularly corrosion of the steel reinforcement and the various chemical biological physical and mechanical causes of deterioration It outlines condition survey and diagnosis techniques by on site and laboratory measurements It sets out mechanical methods of protection and repair such as patching inhibitors coatings penetrants and structural strengthening as well as cathodic protection and other electrochemical methods This book also gives guidance on preventative measures including concrete technology and construction considerations coatings and penetrants alternate reinforcement permanent corrosion monitoring and durability planning aspects Asset managers port engineers bridge maintenance managers building managers heritage structure engineers plant engineers consulting engineers architects specialist contractors and construction material suppliers who have the task of resolving problems of corrosion of steel reinforced concrete elements will find this book an extremely useful resource It will also be a valuable reference for students at postgraduate level Authors The late Professor Brian Cherry of Monash University Melbourne Australia was one of the world s leading corrosion science and engineering educators and researchers Warren Green of Vinsi Partners Sydney Australia is a corrosion engineer and materials scientist He is also an Adjunct Associate Professor

Thank you very much for reading **Perkins Serie 2015 Service Manual**. As you may know, people have look hundreds times for their favorite novels like this Perkins Serie 2015 Service Manual, but end up in harmful downloads. Rather than enjoying a good book with a cup of tea in the afternoon, instead they cope with some harmful bugs inside their desktop computer.

Perkins Serie 2015 Service Manual is available in our digital library an online access to it is set as public so you can get it instantly.

Our book servers spans in multiple countries, allowing you to get the most less latency time to download any of our books like this one.

Kindly say, the Perkins Serie 2015 Service Manual is universally compatible with any devices to read

https://crm.avenza.com/book/browse/default.aspx/Nursing_Questions_To_Ask_Endocrine_System_Review.pdf

Table of Contents Perkins Serie 2015 Service Manual

1. Understanding the eBook Perkins Serie 2015 Service Manual
 - The Rise of Digital Reading Perkins Serie 2015 Service Manual
 - Advantages of eBooks Over Traditional Books
2. Identifying Perkins Serie 2015 Service Manual
 - Exploring Different Genres
 - Considering Fiction vs. Non-Fiction
 - Determining Your Reading Goals
3. Choosing the Right eBook Platform
 - Popular eBook Platforms
 - Features to Look for in an Perkins Serie 2015 Service Manual
 - User-Friendly Interface
4. Exploring eBook Recommendations from Perkins Serie 2015 Service Manual
 - Personalized Recommendations

- Perkins Serie 2015 Service Manual User Reviews and Ratings
- Perkins Serie 2015 Service Manual and Bestseller Lists
- 5. Accessing Perkins Serie 2015 Service Manual Free and Paid eBooks
 - Perkins Serie 2015 Service Manual Public Domain eBooks
 - Perkins Serie 2015 Service Manual eBook Subscription Services
 - Perkins Serie 2015 Service Manual Budget-Friendly Options
- 6. Navigating Perkins Serie 2015 Service Manual eBook Formats
 - ePub, PDF, MOBI, and More
 - Perkins Serie 2015 Service Manual Compatibility with Devices
 - Perkins Serie 2015 Service Manual Enhanced eBook Features
- 7. Enhancing Your Reading Experience
 - Adjustable Fonts and Text Sizes of Perkins Serie 2015 Service Manual
 - Highlighting and Note-Taking Perkins Serie 2015 Service Manual
 - Interactive Elements Perkins Serie 2015 Service Manual
- 8. Staying Engaged with Perkins Serie 2015 Service Manual
 - Joining Online Reading Communities
 - Participating in Virtual Book Clubs
 - Following Authors and Publishers Perkins Serie 2015 Service Manual
- 9. Balancing eBooks and Physical Books Perkins Serie 2015 Service Manual
 - Benefits of a Digital Library
 - Creating a Diverse Reading Collection Perkins Serie 2015 Service Manual
- 10. Overcoming Reading Challenges
 - Dealing with Digital Eye Strain
 - Minimizing Distractions
 - Managing Screen Time
- 11. Cultivating a Reading Routine Perkins Serie 2015 Service Manual
 - Setting Reading Goals Perkins Serie 2015 Service Manual
 - Carving Out Dedicated Reading Time
- 12. Sourcing Reliable Information of Perkins Serie 2015 Service Manual
 - Fact-Checking eBook Content of Perkins Serie 2015 Service Manual

- Distinguishing Credible Sources
13. Promoting Lifelong Learning
- Utilizing eBooks for Skill Development
 - Exploring Educational eBooks
14. Embracing eBook Trends
- Integration of Multimedia Elements
 - Interactive and Gamified eBooks

Perkins Serie 2015 Service Manual Introduction

In the digital age, access to information has become easier than ever before. The ability to download Perkins Serie 2015 Service Manual has revolutionized the way we consume written content. Whether you are a student looking for course material, an avid reader searching for your next favorite book, or a professional seeking research papers, the option to download Perkins Serie 2015 Service Manual has opened up a world of possibilities. Downloading Perkins Serie 2015 Service Manual provides numerous advantages over physical copies of books and documents. Firstly, it is incredibly convenient. Gone are the days of carrying around heavy textbooks or bulky folders filled with papers. With the click of a button, you can gain immediate access to valuable resources on any device. This convenience allows for efficient studying, researching, and reading on the go. Moreover, the cost-effective nature of downloading Perkins Serie 2015 Service Manual has democratized knowledge. Traditional books and academic journals can be expensive, making it difficult for individuals with limited financial resources to access information. By offering free PDF downloads, publishers and authors are enabling a wider audience to benefit from their work. This inclusivity promotes equal opportunities for learning and personal growth. There are numerous websites and platforms where individuals can download Perkins Serie 2015 Service Manual. These websites range from academic databases offering research papers and journals to online libraries with an expansive collection of books from various genres. Many authors and publishers also upload their work to specific websites, granting readers access to their content without any charge. These platforms not only provide access to existing literature but also serve as an excellent platform for undiscovered authors to share their work with the world. However, it is essential to be cautious while downloading Perkins Serie 2015 Service Manual. Some websites may offer pirated or illegally obtained copies of copyrighted material. Engaging in such activities not only violates copyright laws but also undermines the efforts of authors, publishers, and researchers. To ensure ethical downloading, it is advisable to utilize reputable websites that prioritize the legal distribution of content. When downloading Perkins Serie 2015 Service Manual, users should also consider the potential security risks associated with online platforms. Malicious actors may exploit vulnerabilities in unprotected websites to

distribute malware or steal personal information. To protect themselves, individuals should ensure their devices have reliable antivirus software installed and validate the legitimacy of the websites they are downloading from. In conclusion, the ability to download Perkins Serie 2015 Service Manual has transformed the way we access information. With the convenience, cost-effectiveness, and accessibility it offers, free PDF downloads have become a popular choice for students, researchers, and book lovers worldwide. However, it is crucial to engage in ethical downloading practices and prioritize personal security when utilizing online platforms. By doing so, individuals can make the most of the vast array of free PDF resources available and embark on a journey of continuous learning and intellectual growth.

FAQs About Perkins Serie 2015 Service Manual Books

1. Where can I buy Perkins Serie 2015 Service Manual books? Bookstores: Physical bookstores like Barnes & Noble, Waterstones, and independent local stores. Online Retailers: Amazon, Book Depository, and various online bookstores offer a wide range of books in physical and digital formats.
2. What are the different book formats available? Hardcover: Sturdy and durable, usually more expensive. Paperback: Cheaper, lighter, and more portable than hardcovers. E-books: Digital books available for e-readers like Kindle or software like Apple Books, Kindle, and Google Play Books.
3. How do I choose a Perkins Serie 2015 Service Manual book to read? Genres: Consider the genre you enjoy (fiction, non-fiction, mystery, sci-fi, etc.). Recommendations: Ask friends, join book clubs, or explore online reviews and recommendations. Author: If you like a particular author, you might enjoy more of their work.
4. How do I take care of Perkins Serie 2015 Service Manual books? Storage: Keep them away from direct sunlight and in a dry environment. Handling: Avoid folding pages, use bookmarks, and handle them with clean hands. Cleaning: Gently dust the covers and pages occasionally.
5. Can I borrow books without buying them? Public Libraries: Local libraries offer a wide range of books for borrowing. Book Swaps: Community book exchanges or online platforms where people exchange books.
6. How can I track my reading progress or manage my book collection? Book Tracking Apps: Goodreads, LibraryThing, and Book Catalogue are popular apps for tracking your reading progress and managing book collections. Spreadsheets: You can create your own spreadsheet to track books read, ratings, and other details.
7. What are Perkins Serie 2015 Service Manual audiobooks, and where can I find them? Audiobooks: Audio recordings of books, perfect for listening while commuting or multitasking. Platforms: Audible, LibriVox, and Google Play Books offer

- a wide selection of audiobooks.
8. How do I support authors or the book industry? Buy Books: Purchase books from authors or independent bookstores. Reviews: Leave reviews on platforms like Goodreads or Amazon. Promotion: Share your favorite books on social media or recommend them to friends.
 9. Are there book clubs or reading communities I can join? Local Clubs: Check for local book clubs in libraries or community centers. Online Communities: Platforms like Goodreads have virtual book clubs and discussion groups.
 10. Can I read Perkins Serie 2015 Service Manual books for free? Public Domain Books: Many classic books are available for free as they're in the public domain. Free E-books: Some websites offer free e-books legally, like Project Gutenberg or Open Library.

Find Perkins Serie 2015 Service Manual :

nursing questions to ask endocrine system review

numerical methods for engineers 6th edition solution manual

[nwu vaal triangle prospectus 2016](#)

nx nastran users manual

[nx6 training drafting manual](#)

nutter butter recipe logans

nurse case management manual

nuclear hw packet 7 answer key

nuts about squirrels english edition

~~nursing the ultimate study guide~~

nwu exam question papers

nursing ethics paper topic

nurse practitioner clinical guidelines

[numerical mathematics and computing solutions manual](#)

~~nvidia 680i sli manual~~

Perkins Serie 2015 Service Manual :

speeches of note reden die die welt veränderten - May 14 2023

web mar 11 2019 books can be attributed to unknown when the author or editor as applicable is not known and cannot be discovered if at all possible list at least one actual author or editor for a book instead of using unknown

speeches of note reden die die welt veränderten full pdf - Dec 09 2022

web speeches of note reden die die welt veränderten the beginnings of christianity the acts of the apostles the national element in hermann cohen s philosophy and religion a dictionary of the german and english languages in die politik gehen the spirit and the letter hitler s library faust with notes by g g zerffi germany the long road west

speeches of note reden die die welt veränderten hardcover - Apr 13 2023

web amazon in buy speeches of note reden die die welt veränderten book online at best prices in india on amazon in read speeches of note reden die die welt veränderten book reviews author details and more at amazon in free delivery on qualified orders

speeches of note reden die die welt veränderten pdf - Nov 08 2022

web speeches of note reden die die welt veränderten is available in our digital library an online access to it is set as public so you can download it instantly our books collection spans in multiple countries allowing you to get the most less latency time to download any of our books like this one

reden die unsere welt veränderten buch insel verlag - Oct 07 2022

web oct 27 2019 lieferung innerhalb von ca 3 5 werktagen versand auch nach Österreich und in die schweiz lieferung an packstation sendungsverfolgung bestellung auch als gast möglich 4 75 5 00 bei 187 bewertungen reden die unsere welt veränderten mit einer einföhrung von simon sebag montefiore buch insel taschenbuch auf

7 powerful speeches that have changed the world shutterstock - Apr 01 2022

web aug 27 2020 if gettysburg referenced and expanded the meaning of the declaration of independence i have a dream referenced and expanded upon gettysburg 3 freedom or death emmeline pankhurst 1913 emmeline pankhurst s daughter christabel left sees her off to america 1913 image via historia shutterstock

speeches of note reden die die welt veränderten pdf copy - Jul 04 2022

web speeches of note reden die die welt veränderten pdf if you ally craving such a referred speeches of note reden die die welt veränderten pdf books that will have enough money you worth acquire the definitely best seller from us currently from several preferred authors if you desire to comical books lots of novels tale jokes and more fictions

speeches that changed the world amazon com - Feb 28 2022

web jan 1 2010 there is a newer edition of this item speeches that changed the world 7 16 129 only 1 left in stock order soon this gripping dvd pack provides genuine historical footage of 20 of the most significant speeches of the 20th century and is accompanied by a deluxe illustrated book containing the transcripts of these and over 30

speeches of note reden die die welt veränderten by shaun - Aug 17 2023

web jun 26 2023 lass die welt darüber reden adolf hitlers rede 22 juni 1941 world future fund reden die die welt bewegten book 1959 worldcat reden die die welt bewegten book 1963 worldcat charlie chaplin der große diktator rede genius reden abraham lincoln the gettysburg address mit shaun usher hrsg speeches of note presse buchinfo the

speeches of note reden die die welt veränderten uniport edu - Jun 03 2022

web jun 12 2023 pronouncement speeches of note reden die die welt veränderten that you are looking for it will entirely squander the time however below as soon as you visit this web page it will be correspondingly enormously simple to acquire as capably as download guide speeches of note reden die die welt veränderten it will not undertake many

speeches of note reden die die welt veränderten amazon de - Sep 18 2023

web speeches of note reden die die welt veränderten usher shaun isbn 9783453271395 kostenloser versand für alle bücher mit versand und verkauf duch amazon speeches of note reden die die welt veränderten usher shaun amazon de bücher

speeches of note reden die die welt veränderten download - Jul 16 2023

web speeches of note reden die die welt veränderten speeches of note reden die die welt veränderten 2 downloaded from rjonline org on 2020 05 08 by guest rilke two poems by rudolf hagelstange and karl krolow tabula gratulatoria and a bibliography of herman salinger s publications are also included in the volume

speeches of note reden die die welt veränderten pdf - Jan 10 2023

web speeches of note reden die die welt veränderten stockholmer germanistische forschungen nov 22 2020 woodstock dream jul 31 2021 even as a young photographer caught up in his generation s struggle to forge a new world filled with peace love and rock and roll elliot landy knew that he was living through an important era one well worth

speeches of note reden die die welt veränderten copy - Aug 05 2022

web speeches of note reden die die welt veränderten what you subsequent to to read the nazi conscience professor of history claudia koonz 2003 challenging the conventional assumptions about hitler koonz locates the source of

speeches of note reden die die welt veränderten by shaun - Oct 19 2023

web diktator rede genius speeches of note reden die die welt verändern die besten reden sind die die nicht gehalten werden die the speech online bundespraesident reden english translation bab la german english dictionary

speeches of note reden die die welt veränderten by shaun - Mar 12 2023

web shaun usher hrsg speeches of note presse buchinfo adolf hitler rede 11 dezember 1941 world future fund reden die die welt bewegten book 1959 worldcat christina stürmer wir halten jetzt die welt an lyrics mein reden translation from german into english pons der friedensgedanke in president wilson s vision of reden reden die die welt

speeches of note reden die die welt veränderten hardcover - Feb 11 2023

web abebooks com speeches of note reden die die welt veränderten 9783453271395 and a great selection of similar new used and collectible books available now at great prices speeches of note reden die die welt veränderten 9783453271395 abebooks

speeches of note reden die die welt veränderten wrbb neu - Sep 06 2022

web speeches of note reden die die welt veränderten but end happening in harmful downloads rather than enjoying a fine book once a mug of coffee in the afternoon instead they juggled in the manner of some harmful virus inside their computer

speeches of note reden die die welt veränderten hardcover - Jun 15 2023

web speeches of note reden die die welt veränderten on amazon com au free shipping on eligible orders speeches of note reden die die welt veränderten

speeches of note reden die die welt veränderten by shaun - May 02 2022

web das die welt umspannt reden über das vaterunser 25 reden die die welt veränderten de flowerpetaler net speeches of note reden die die welt verändern reden wörterbuch deutsch englisch wordreference reden die die welt bewegten friedrich engels br alpha the speech online bundespraesident

scc 1 smartcraft connect gateway installation manual - Aug 25 2022

web mercury smartcraft system tachometer manuals manuals and user guides for mercury smartcraft system tachometer we have 1 mercury smartcraft system tachometer

mercury smartcraft manuals manualslib - Jul 04 2023

web manuals and user guides for mercury smartcraft we have 5 mercury smartcraft manuals available for free pdf download operation manual

brukerhåndbok download brunswick marine com - Aug 05 2023

web designet for bruk med smartcraft alle mercury mercruiser modeller som er designet for bruk med smartcraft monitor 2 00 3 00 1 0 monitor 2 00 3 00 1 1 monitor

mercury sc1000 user manual download pdf - Mar 20 2022

web jan 4 2021 what is smartcraft and how does it work the technology behind the revolutionary onboard operating system from mercury gear tech twenty years ago a

mercury smartcraft operations manual pdf free pdf manuals - Jan 18 2022

web smartcraft connect gateway installation manual page 2 10 2021 mercury marine 90 8m0173127 eng april 2021 smartcraft connect

scc 1 smartcraft connect gateway installation manual - Oct 27 2022

web view and download mercury smartcraft wiring connections online depth transducer smartcraft transducer pdf manual

download

instrumenter og kontroller smartcraft connect mercury marine - Oct 07 2023

web integrer garmin og raymarine multifunksjonsskjermer med fremdriftssystemet mercury smartcraft smartcraft connect forvandler din foretrukne multifunksjonsskjerm til en

what is smartcraft and how does it work mercury marine - Feb 16 2022

web mercury smartcraft operations manual the preview only show first 10 pages of manuals please download to view the full documents loading preview please wait

download mercury smartcraft operation manual manualslib - Apr 01 2023

web identifying dts and non dts smartcraft systems there are a variety of smartcraft control systems available for your mercury diesel power package digital gauges can be

[mercury smartcraft operations manual pdf](#) - May 02 2023

web download mercury smartcraft operation manual mercury smartcraft operation manual brand mercury category boating equipment size 0 78 mb pages 96 please tick

smartcraft gauges owners guide mercury marine yumpu - Jun 22 2022

web feb 1 2023 smartcraft connect transforms your favorite multi function display into an information portal to your boat by providing valuable engine data on the same screen as

[smartcraft connect gateway installation manual](#) - Dec 17 2021

web this manual describes the smartcraft gauge systems available for your boat operation manual 0 part 1 monitor 1 01 1 02 part 2 part 3 part 4

smartcraft systems - Apr 20 2022

web motor vehicle accessories components mercury 3 0 liter service manual 154 pages motor vehicle accessories components mercury xr2 ss specifications 64 pages

mercury smartcraft system tachometer manuals manualslib - Jul 24 2022

web smartcraft gauges owners guide mercury marine en english deutsch français español português italiano român nederlands latina dansk svenska norsk magyar

gauges displays smartcraft connect mercury marine - May 22 2022

web reference manual 15 tool setup overview use this function to select the ddt baud rate and the number of stop bits you can also save the tool setup or restore the previously

smartcraft operation manual diesel brunswick corporation - Feb 28 2023

web this manual contains specific instructions for using and maintaining your product we suggest that this manual remain

with the product for ready reference whenever you are

mercury smartcraft wiring connections pdf - Sep 25 2022

web similar mercury marine products have the work performed by an authorized mercury marine dealer technician improper installation or servicing of the mercury product could

mercury smartcraft connect manual pdf download - Nov 27 2022

web these or similar mercury marine products have the work performed by an authorized mercury marine dealer technician improper installation or servicing of the mercury

operation and installation manual brunswick corporation - Jan 30 2023

web view and download mercury smartcraft connect installation manual online smartcraft connect gateway pdf manual download also for 7968574635

mercury smartcraft operation manual pdf - Sep 06 2023

web summary of contents for mercury smartcraft page 1 operation manual this manual describes the smartcraft gauge systems available for your boat

mercury smartcraft connect installation - Dec 29 2022

web view and download mercury smartcraft connect manual online gateway smartcraft connect gateway pdf manual download

smartcraft connect gateway manual - Jun 03 2023

web 71912 can p connection light nmea connection light can h connection light wi fi connection light bluetooth connection light nmea 2000 connector 10 pin

operation manual new york state division of military and naval - Nov 15 2021

bang bang tome 06 fantasmes d arabie pdf uniport edu - Jul 01 2022

web jul 14 2023 bang bang tome 06 fantasmes d arabie 2 8 downloaded from uniport edu ng on july 14 2023 by guest not be able to wipe away the stain on her soul

bang bang tome 06 fantasmes d arabie bang bang 6 - Jun 12 2023

web jan 27 2010 bang bang tome 06 fantasmes d arabie bang bang 6 french edition paperback january 27 2010 french edition by jordi bernet drawings

bang bang tome 6 fantasmes d arabie by carlos trillo jordi - Sep 03 2022

web jun 22 2023 bang bang tome 06 fantasmes d arabie bang bang add an alert for this serie add this book to the wishlist très amoureuse de sa nièce nicole qu elle a initiée au

[bang bang tome 06 fantasmes d arabie pdf uniport edu](#) - Mar 29 2022

web bang bang tome 06 fantasmes d arabie 2 11 downloaded from uniport edu ng on september 10 2023 by guest readers to draw their own conclusions two introductory

[bang bang tome 06 fantasmes d arabie copy uniport edu](#) - Feb 25 2022

web jun 17 2023 you could purchase lead bang bang tome 06 fantasmes d arabie or get it as soon as feasible you could speedily download this bang bang tome 06 fantasmes d

[bang bang tome 06 fantasmes d arabie french edition](#) - Feb 08 2023

web jun 28 2017 bang bang tome 06 fantasmes d arabie french edition kindle edition by trillo carlos download it once and read it on your kindle device pc phones

[bang bang tome 06 fantasmes d arabie by carlos trillo jordi](#) - May 31 2022

web may 2nd 2020 bang bang fantasmes d arabie tome 06 bang bang bande dessinée broché fantasmes d arabie tome 06 bang bang carlos trillo jordi bernet carlos

[bang bang tome 06 fantasmes d arabie amazon fr](#) - Jul 13 2023

web noté 5 retrouvez bang bang tome 06 fantasmes d arabie et des millions de livres en stock sur amazon fr achetez neuf ou d occasion

[t6 bang bang izneo](#) - Nov 05 2022

web bang bang bang bang tome 06 fantasmes d arabie t6 bang bang carlos trillo jordi bernet 80 pages eazycomics 3 0 avis tome bang bang tome 06

[bang bang tome 06 fantasmes d arabie format kindle](#) - Jan 27 2022

web bang bang tome 06 fantasmes d arabie format kindle de carlos trillo auteur jordi bernet auteur format format kindle 4 1 4 1 sur 5 étoiles 4 évaluations

[bang bang 6 fantasmes d arabie issue comic vine](#) - Oct 04 2022

web jan 27 2010 bang bang bang bang issue number 6 twitter twitter account for this issue cover date january 27 2010 in cover date

[pdf download bang bang tome 06 fantasmes d arabie](#) - Aug 02 2022

web read the bang bang tome 06 fantasmes d arabie french edition now it is the most interesting subject however if you do not have much time to read you can download

[bang bang tome 06 fantasmes d arabie google play](#) - Aug 14 2023

web bang bang tome 06 fantasmes d arabie ebook written by carlos trillo jordi bernet read this book using google play books app on your pc android ios devices

bang bang tome 06 ebook by carlos trillo rakuten kobo - May 11 2023

web read bang bang tome 06 fantasmés d arabie by carlos trillo available from rakuten kobo très amoureuse de sa nièce nicole qu elle a initiée au plaisir la très libertine

[bang bang tome 06 fantasmés d arabie amazon co uk](#) - Apr 10 2023

web buy bang bang tome 06 fantasmés d arabie by trillo carlos bernet jordi isbn 9782723473330 from amazon s book store everyday low prices and free delivery on

bang bang tome 06 fantasmés d arabie aaron y zelin book - Dec 26 2021

web bang bang tome 06 fantasmés d arabie right here we have countless ebook bang bang tome 06 fantasmés d arabie and collections to check out we additionally allow

bang bang tome 06 fantasmés d arabie lecture en ligne izneo - Nov 24 2021

web lire les derniers tomes et albums de bang bang tome 06 fantasmés d arabie en ligne avec izneo format numérique haute qualité et sans publicité en ligne sur desktop ios

bang bang tome 06 by jordi bernet open library - Dec 06 2022

web jan 27 2010 publisher glenat pages 80 showing 1 featured edition view all 1 editions add another edition book details edition notes source title bang bang tome 06

bang bang fantasmés d arabie tome 06 bang bang fnac - Mar 09 2023

web bang bang fantasmés d arabie tome 06 bang bang carlos trillo jordi bernet drugstore des milliers de livres avec la livraison chez vous en 1 jour ou en magasin

bang bang tome 06 fantasmés d arabie pdf kelliemay - Apr 29 2022

web dec 18 2022 bang bang tome 06 fantasmés d arabie can be one of the options to accompany you similar to having extra time it will not waste your time admit me the e

bang bang tome 06 fantasmés d arabie french edition - Jan 07 2023

web bang bang tome 06 fantasmés d arabie french edition ebook trillo carlos bernet jordi amazon co uk kindle store