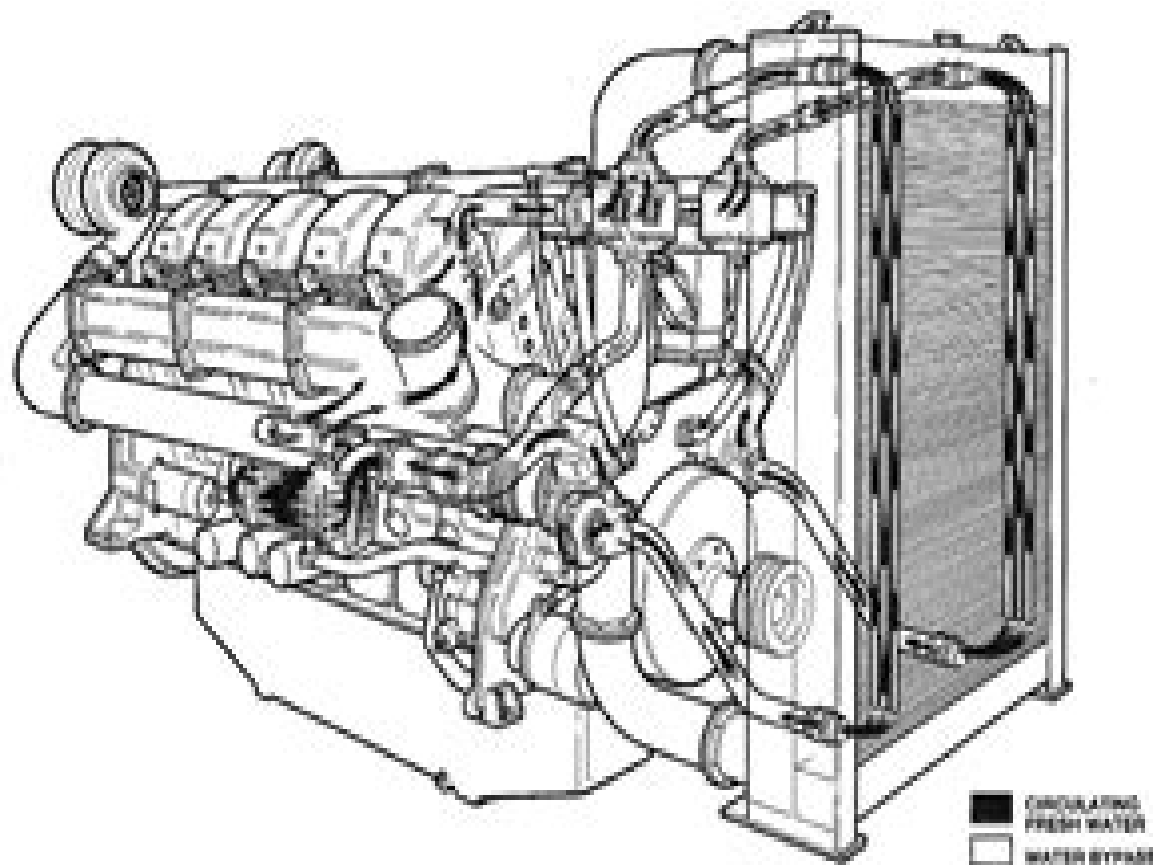




Perkins® 4012/16 TAG SERIES ENGINE (AIR COOLED CHARGE AIR COOLER) FRESH WATER CIRCULATION DIAGRAM



PERKINS ENGINES (STAFFORD) LIMITED, TIXALL ROAD, STAFFORD ST16 3UB

PUBLICATION TITLE NUMBER 100

Telephone: 01785 223141 Fax: 01785 215110 Telex: 36156

© PERKINS ENGINES (STAFFORD) LIMITED 1994

Perkins Generator Workshop Manual

Albert A Gayle



Perkins Generator Workshop Manual:

Workshop Manual for (Perkins) 6.372, 6.3542, T6.354, Ind. & Ag. and 6.354 Diesel Engines Perkins Engines Limited,1976

Motor's Truck & Tractor Repair Manual ,1971 **British Power Farmer and Agricultural Engineer** ,1991

273 technical questions and answers for job interview Offshore Oil & Gas Platforms Petrogav International Oil & Gas Training Center,2020-06-29 The job interview is probably the most important step you will take in your job search journey Because it s always important to be prepared to respond effectively to the questions that employers typically ask at a job interview Petrogav International has prepared this eBooks that will help you to get a job in oil and gas industry Since these questions are so common hiring managers will expect you to be able to answer them smoothly and without hesitation This eBook contains 273 questions and answers for job interview and as a BONUS web addresses to 218 video movies for a better understanding of the technological process This course covers aspects like HSE Process Mechanical Electrical and Instrumentation Control that will enable you to apply for any position in the Oil and Gas Industry *150 technical questions and answers for job interview Offshore Drilling Rigs* Petrogav International Oil & Gas Training Center,2020-06-28 The job interview is probably the most important step you will take in your job search journey Because it s always important to be prepared to respond effectively to the questions that employers typically ask at a job interview Petrogav International has prepared this eBooks that will help you to get a job in oil and gas industry Since these questions are so common hiring managers will expect you to be able to answer them smoothly and without hesitation This eBook contains 150 questions and answers for job interview and as a BONUS 230 links to video movies This course covers aspects like HSE Process Mechanical Electrical and Instrumentation Control that will enable you to apply for any position in the Oil and Gas Industry **200 technical questions and answers for job interview Offshore Oil & Gas Rigs** Petrogav International Oil & Gas Training Center,2020-06-30 The job interview is probably the most important step you will take in your job search journey Because it s always important to be prepared to respond effectively to the questions that employers typically ask at a job interview Petrogav International has prepared this eBooks that will help you to get a job in oil and gas industry Since these questions are so common hiring managers will expect you to be able to answer them smoothly and without hesitation This eBook contains 200 questions and answers for job interview and as a BONUS web addresses to 230 video movies for a better understanding of the technological process This course covers aspects like HSE Process Mechanical Electrical and Instrumentation Control that will enable you to apply for any position in the Oil and Gas Industry 150 technical questions and answers for job interview Offshore Oil & Gas Platforms Petrogav International Oil & Gas Training Center,2020-06-30 The job interview is probably the most important step you will take in your job search journey Because it s always important to be prepared to respond effectively to the questions that employers typically ask at a job interview Petrogav International has prepared this eBooks that will help you to get a job in oil and gas industry Since these questions are so common hiring

managers will expect you to be able to answer them smoothly and without hesitation This eBook contains 150 questions and answers for job interview and as a BONUS web addresses to 220 video movies for a better understanding of the technological process This course covers aspects like HSE Process Mechanical Electrical and Instrumentation Control that will enable you to apply for any position in the Oil and Gas Industry [100 technical questions and answers for job interview Offshore Oil & Gas Rigs](#) Petrogav International Oil & Gas Training Center,2020-06-30 The job interview is probably the most important step you will take in your job search journey Because it s always important to be prepared to respond effectively to the questions that employers typically ask at a job interview Petrogav International has prepared this eBooks that will help you to get a job in oil and gas industry Since these questions are so common hiring managers will expect you to be able to answer them smoothly and without hesitation This eBook contains 100 questions and answers for job interview and as a BONUS web addresses to 230 video movies for a better understanding of the technological process This course covers aspects like HSE Process Mechanical Electrical and Instrumentation Control that will enable you to apply for any position in the Oil and Gas Industry [Technical questions and answers for job interview Offshore Drilling Platforms](#) PETROGAV INTERNATIONAL, This book offers you a brief but very involved look into the operations in the drilling of an oil gas wells that will help you to be prepared for job interview at oil gas companies From start to finish you ll see a general prognosis of the drilling process If you are new to the oil gas industry you ll enjoy having a leg up with the knowledge of these processes If you are a seasoned oil gas person you ll enjoy reading what you may or may not know in these pages This course provides a non technical overview of the phases operations and terminology used on offshore drilling platforms It is intended also for non drilling personnel who work in the offshore drilling exploration and production industry This includes marine and logistics personnel accounting administrative and support staff environmental professionals etc No prior experience or knowledge of drilling operations is required This course will provide participants a better understanding of the issues faced in all aspects of drilling operations with a particular focus on the unique aspects of offshore operations **Questions and answers for job interview Offshore Oil & Gas Rigs** Petrogav International Oil & Gas Training Center,2020-07-01 The job interview is probably the most important step you will take in your job search journey Because it s always important to be prepared to respond effectively to the questions that employers typically ask at a job interview Petrogav International has prepared this eBooks that will help you to get a job in oil and gas industry Since these questions are so common hiring managers will expect you to be able to answer them smoothly and without hesitation This eBook contains 288 questions and answers for job interview and as a BONUS web addresses to 289 video movies for a better understanding of the technological process This course covers aspects like HSE Process Mechanical Electrical and Instrumentation Control that will enable you to apply for any position in the Oil and Gas Industry **Cruising World** ,1981-01 **Motor World Wholesale** ,1921 **The Inland Voyager's Handbook: How to Cruise the Inland Waterways in Safety and Comfort** Danny L. Davis,2017-10-05 The

essential guide to cruising geared to the charms of inland waterways Have you been dreaming about buying a boat and cruising the waterways Not sure how to start living your dream Experienced sailor and devoted inland voyager Danny Davis brings you an inside look at what life on the seas is really like In *The Inland Voyager's Handbook* he reveals everything you need to know to safely and smoothly cruise in hundreds of miles of canals rivers and locks dotting the earth You'll find expert advice on choosing the right boat in your price range preparing for a thunderstorm dropping anchor transiting locks and much more Inland voyaging means there are no big ocean swells or storms to contend with and boats within modest price tags making this an attractive and attainable lifestyle no matter what your age or pocketbook *The Inland Voyager's Handbook* features Descriptions of how and where to travel including all North American loops from Alaska to Florida as well as European waterways Soup to nuts explanations of the type of boats used the lifestyle and the many places for inland cruising How to information pertinent to the inland areas covered including locks and canal transits Down to earth instructions on how to choose and prepare a boat for voyaging and much more

[Questions and answers for job interview Offshore Oil & Gas Platforms](#) Petrogav International Oil & Gas Training Center,2020-07-01 The job interview is probably the most important step you will take in your job search journey Because it's always important to be prepared to respond effectively to the questions that employers typically ask at a job interview Petrogav International has prepared this eBooks that will help you to get a job in oil and gas industry Since these questions are so common hiring managers will expect you to be able to answer them smoothly and without hesitation This eBook contains 291 questions and answers for job interview and as a BONUS web addresses to 288 video movies for a better understanding of the technological process This course covers aspects like HSE Process Mechanical Electrical and Instrumentation Control that will enable you to apply for any position in the Oil and Gas Industry

Training for job interview Offshore Oil & Gas Platforms Petrogav International Oil & Gas Training Center,2020-07-01 The job interview is probably the most important step you will take in your job search journey Because it's always important to be prepared to respond effectively to the questions that employers typically ask at a job interview Petrogav International has prepared this eBooks that will help you to get a job in oil and gas industry Since these questions are so common hiring managers will expect you to be able to answer them smoothly and without hesitation This eBook contains 281 questions and answers for job interview and as a BONUS web addresses to 289 video movies for a better understanding of the technological process This course covers aspects like HSE Process Mechanical Electrical and Instrumentation Control that will enable you to apply for any position in the Oil and Gas Industry

How to be prepared for job interview Offshore Oil & Gas Platforms Petrogav International Oil & Gas Training Center,2020-07-01 The job interview is probably the most important step you will take in your job search journey Because it's always important to be prepared to respond effectively to the questions that employers typically ask at a job interview Petrogav International has prepared this eBooks that will help you to get a job in oil and gas industry Since these questions are so common hiring managers will

expect you to be able to answer them smoothly and without hesitation This eBook contains 281 questions and answers for job interview and as a BONUS web addresses to 289 video movies for a better understanding of the technological process This course covers aspects like HSE Process Mechanical Electrical and Instrumentation Control that will enable you to apply for any position in the Oil and Gas Industry Popular Electronics ,1981 *The Gulf Directory* , *Catalog of Copyright Entries. Third Series* Library of Congress. Copyright Office,1976 *Commercial Car Journal* ,1960 Beginning with 1937 the April issue of each vol is the Fleet reference annual

Immerse yourself in the artistry of words with Experience Art with its expressive creation, Discover the Artistry of **Perkins Generator Workshop Manual** . This ebook, presented in a PDF format (PDF Size: *), is a masterpiece that goes beyond conventional storytelling. Indulge your senses in prose, poetry, and knowledge. Download now to let the beauty of literature and artistry envelop your mind in a unique and expressive way.

<https://crm.avenza.com/files/browse/fetch.php/pathfinder%20rpg%20manual.pdf>

Table of Contents Perkins Generator Workshop Manual

1. Understanding the eBook Perkins Generator Workshop Manual
 - The Rise of Digital Reading Perkins Generator Workshop Manual
 - Advantages of eBooks Over Traditional Books
2. Identifying Perkins Generator Workshop Manual
 - Exploring Different Genres
 - Considering Fiction vs. Non-Fiction
 - Determining Your Reading Goals
3. Choosing the Right eBook Platform
 - Popular eBook Platforms
 - Features to Look for in an Perkins Generator Workshop Manual
 - User-Friendly Interface
4. Exploring eBook Recommendations from Perkins Generator Workshop Manual
 - Personalized Recommendations
 - Perkins Generator Workshop Manual User Reviews and Ratings
 - Perkins Generator Workshop Manual and Bestseller Lists
5. Accessing Perkins Generator Workshop Manual Free and Paid eBooks
 - Perkins Generator Workshop Manual Public Domain eBooks
 - Perkins Generator Workshop Manual eBook Subscription Services
 - Perkins Generator Workshop Manual Budget-Friendly Options

6. Navigating Perkins Generator Workshop Manual eBook Formats
 - ePub, PDF, MOBI, and More
 - Perkins Generator Workshop Manual Compatibility with Devices
 - Perkins Generator Workshop Manual Enhanced eBook Features
7. Enhancing Your Reading Experience
 - Adjustable Fonts and Text Sizes of Perkins Generator Workshop Manual
 - Highlighting and Note-Taking Perkins Generator Workshop Manual
 - Interactive Elements Perkins Generator Workshop Manual
8. Staying Engaged with Perkins Generator Workshop Manual
 - Joining Online Reading Communities
 - Participating in Virtual Book Clubs
 - Following Authors and Publishers Perkins Generator Workshop Manual
9. Balancing eBooks and Physical Books Perkins Generator Workshop Manual
 - Benefits of a Digital Library
 - Creating a Diverse Reading Collection Perkins Generator Workshop Manual
10. Overcoming Reading Challenges
 - Dealing with Digital Eye Strain
 - Minimizing Distractions
 - Managing Screen Time
11. Cultivating a Reading Routine Perkins Generator Workshop Manual
 - Setting Reading Goals Perkins Generator Workshop Manual
 - Carving Out Dedicated Reading Time
12. Sourcing Reliable Information of Perkins Generator Workshop Manual
 - Fact-Checking eBook Content of Perkins Generator Workshop Manual
 - Distinguishing Credible Sources
13. Promoting Lifelong Learning
 - Utilizing eBooks for Skill Development
 - Exploring Educational eBooks
14. Embracing eBook Trends
 - Integration of Multimedia Elements

- Interactive and Gamified eBooks

Perkins Generator Workshop Manual Introduction

In this digital age, the convenience of accessing information at our fingertips has become a necessity. Whether its research papers, eBooks, or user manuals, PDF files have become the preferred format for sharing and reading documents. However, the cost associated with purchasing PDF files can sometimes be a barrier for many individuals and organizations. Thankfully, there are numerous websites and platforms that allow users to download free PDF files legally. In this article, we will explore some of the best platforms to download free PDFs. One of the most popular platforms to download free PDF files is Project Gutenberg. This online library offers over 60,000 free eBooks that are in the public domain. From classic literature to historical documents, Project Gutenberg provides a wide range of PDF files that can be downloaded and enjoyed on various devices. The website is user-friendly and allows users to search for specific titles or browse through different categories. Another reliable platform for downloading Perkins Generator Workshop Manual free PDF files is Open Library. With its vast collection of over 1 million eBooks, Open Library has something for every reader. The website offers a seamless experience by providing options to borrow or download PDF files. Users simply need to create a free account to access this treasure trove of knowledge. Open Library also allows users to contribute by uploading and sharing their own PDF files, making it a collaborative platform for book enthusiasts. For those interested in academic resources, there are websites dedicated to providing free PDFs of research papers and scientific articles. One such website is Academia.edu, which allows researchers and scholars to share their work with a global audience. Users can download PDF files of research papers, theses, and dissertations covering a wide range of subjects. Academia.edu also provides a platform for discussions and networking within the academic community. When it comes to downloading Perkins Generator Workshop Manual free PDF files of magazines, brochures, and catalogs, Issuu is a popular choice. This digital publishing platform hosts a vast collection of publications from around the world. Users can search for specific titles or explore various categories and genres. Issuu offers a seamless reading experience with its user-friendly interface and allows users to download PDF files for offline reading. Apart from dedicated platforms, search engines also play a crucial role in finding free PDF files. Google, for instance, has an advanced search feature that allows users to filter results by file type. By specifying the file type as "PDF," users can find websites that offer free PDF downloads on a specific topic. While downloading Perkins Generator Workshop Manual free PDF files is convenient, its important to note that copyright laws must be respected. Always ensure that the PDF files you download are legally available for free. Many authors and publishers voluntarily provide free PDF versions of their work, but its essential to be cautious and verify the authenticity of the source before downloading Perkins Generator Workshop Manual. In conclusion, the internet offers numerous platforms and websites that allow users to download free PDF files legally. Whether its classic

literature, research papers, or magazines, there is something for everyone. The platforms mentioned in this article, such as Project Gutenberg, Open Library, Academia.edu, and Issuu, provide access to a vast collection of PDF files. However, users should always be cautious and verify the legality of the source before downloading Perkins Generator Workshop Manual any PDF files. With these platforms, the world of PDF downloads is just a click away.

FAQs About Perkins Generator Workshop Manual Books

How do I know which eBook platform is the best for me? Finding the best eBook platform depends on your reading preferences and device compatibility. Research different platforms, read user reviews, and explore their features before making a choice. Are free eBooks of good quality? Yes, many reputable platforms offer high-quality free eBooks, including classics and public domain works. However, make sure to verify the source to ensure the eBook credibility. Can I read eBooks without an eReader? Absolutely! Most eBook platforms offer web-based readers or mobile apps that allow you to read eBooks on your computer, tablet, or smartphone. How do I avoid digital eye strain while reading eBooks? To prevent digital eye strain, take regular breaks, adjust the font size and background color, and ensure proper lighting while reading eBooks. What the advantage of interactive eBooks? Interactive eBooks incorporate multimedia elements, quizzes, and activities, enhancing the reader engagement and providing a more immersive learning experience. Perkins Generator Workshop Manual is one of the best book in our library for free trial. We provide copy of Perkins Generator Workshop Manual in digital format, so the resources that you find are reliable. There are also many Ebooks of related with Perkins Generator Workshop Manual. Where to download Perkins Generator Workshop Manual online for free? Are you looking for Perkins Generator Workshop Manual PDF? This is definitely going to save you time and cash in something you should think about.

Find Perkins Generator Workshop Manual :

[pathfinder rpg manual](#)

[payshield 9000 general information manual](#)

[paula deen caramel frosting recipe](#)

[passions innocence english edition](#)

[pathways of the pulp 9th edition](#)

~~[pba coaching manual](#)~~

~~[past examination paper order form 2012 intec](#)~~

paula bruice organic chemistry 7th edition solutions

[past exam papers grade 12 ieb](#)

[pathway sunday school lesson june 15 2014](#)

patrons secrecutetaires point final

[pastor search committee prayer guide](#)

pathfinder r51 2010 workshop manual

[past mcqs 2013 chemistry xll](#)

[patience coloring pages](#)

Perkins Generator Workshop Manual :

icse class 8 biology revision notes for human nervous system - Jan 16 2022

web ch 8 the nervous system answer key can be one of the options to accompany you in the manner of having additional time it will not waste your time take on me the e book will

essentials of anatomy physiology ch 8 the nervous system - Jul 02 2023

web peripheral nervous system pns nerves extending from the brain and spinal cord spinal nerves carry impulses to and from the spinal cord cranial nerves carry

chapter 8 answers nervous system human biology - Sep 04 2023

web chapter 8 the nervous system absences seizure click the card to flip a small seizure in which there is a sudden temporary loss of consciousness lasting a few seconds click

the nervous system - Feb 26 2023

web receptors of sense organs there are four what are the divisions of the nervous system 1 central nervous system cns spinal cord and brain 2 peripheral nervous

[ch 8 the nervous system answer key freewebmasterhelp](#) - Dec 15 2021

web list of ebooks and manucls about anatomy and physiology chapter 8 nervous system study guide answer key chapter 9 12 study guide answer key doc download

ch8 the nervous system flashcards chegg com - Sep 23 2022

web identify the main function of the nervous system to control the body s activities by relaying messages identify the main divisions of the nervous system and list the body

[chapter 8 the nervous system flashcards cram com](#) - Jan 28 2023

web flashcards learn test match created by lucianaschomer terms in this set 46 afferent nerves nerves that carry impulses

from the body to the cns agraphia inability to convert

anatomy physiology chapter 8 nervous system quizlet - Dec 27 2022

web divisions of the nervous system central nervous system cns brain amp amp spinal cord peripheral nervous system pns nerves amp amp ganglia everything outside

the nervous system 8th grade science worksheets and answer - Mar 18 2022

web kindle file format chapter 8 the nervous system packet answers recognizing the quirk ways to get this book chapter 8 the nervous system packet answers is additionally

chapter 8 the nervous system flashcards quizlet - Aug 03 2023

web study with quizlet and memorize flashcards containing terms like functions of the nervous system the central nervous system cns the peripheral nervous system pns and

chapter 8 homework notes assignment chapter 8 - Apr 30 2023

web nov 1 2012 1 58 created by treymcloud25 chapter 8 nervous system the first chapter of the test for thursday 11 1 12 terms in this set 58 neuron nerve cell designed to

a p chapter 8 nervous system flashcards quizlet - Jul 22 2022

web may 22nd 2018 chapter 8 the nervous system packet answers read online chapter 8 the nervous system packet answers as free as you can discover the key to append

ch 8 the nervous system answer key orientation sutd edu sg - Jun 20 2022

web chapter 8 the nervous system this chapter describes the anatomy and physiology of the nervous system one of the regulating systems of the body the general functions of

ch 8 nervous system practice test and key pdf scribd - Oct 25 2022

web originate from the spinal cord conduct sensory and motor information between the central nervous system and a specific region of the body pairs of spinal nerves leave through

chapter 8 the nervous system flashcards quizlet - Jun 01 2023

web the nervous system has two great divisions the central nervous system cns which consists of the brain and the spinal cord and the peripheral nervous system pns

chapter 8 answer keys docx chapter 8 the nervous system - May 20 2022

web nov 18 2021 ch 8 nervous system test key 1 in a neuron short branching cytoplasmic extensions that receive information and carry it to the cell body are called a dendrites b

[nervous system study guide answers nervous system study](#) - Aug 23 2022

web central nervous system and peripheral nervous system central nervous system consists of brain and spinal cord

coordinates processing of sensory data transmission of

[chapter 8 the nervous system packet answers florida state](#) - Feb 14 2022

web get human nervous system icse class 8 biology notes online prepared by top experts at topperlearning visit our website to get complete access to icse class 8 biology

chapter 8 central nervous system answers - Oct 05 2023

web chapter 8 central nervous system answers 4 5 12 reviews a 1 list the major functions of the central nervous system 2 compare the roles of the nervous system

[chapter 8 nervous system flashcards quizlet](#) - Mar 30 2023

web mader s understanding human anatomy physiology longenbaker 8th edition chapter 8 the nervous system in this chapter *anatomy and physiology chapter 8 nervous system study* - Nov 13 2021

ch 8 nervous system practice test and key docx ch 8 nervous - Apr 18 2022

web the nervous system 8th grade science worksheets and answer key study guides covers the following skills each sense receptor responds to different inputs

[seeley s essentials of anatomy physiology chapter 8](#) - Nov 25 2022

web ch 8 nervous system test key 1 in a neuron short branching cytoplasmic extensions that receive information and carry it to the cell body are called a dendrites b axons c

master the sat 2003 e w out cd rom peterson s mast - Jul 18 2022

web the master the sat 2003 e w out cd rom peterson s mast it is entirely simple then previously currently we extend the link to purchase and create bargains to download and install master the sat 2003 e w out cd rom peterson s mast suitably simple the mysteries of new orleans baron ludwig von reizenstein 2003 05 22 this edition

[master the sat 2003 e w out cd rom peterson s mast](#) - Aug 19 2022

web master the sat 2003 e w out cd rom peterson s mast is available in our book collection an online access to it is set as public so you can get it instantly our book servers saves in multiple locations allowing you to get the most less latency time to download any of our books like this one

master the sat 2003 e w out cd rom peterson s mast full pdf - May 28 2023

web getting the books master the sat 2003 e w out cd rom peterson s mast now is not type of challenging means you could not without help going once ebook gathering or library or borrowing from your contacts to gain access to them this is an entirely easy means to specifically acquire lead by on line this online revelation master the sat 2003 e

[master the sat 2003 e w out cd rom peterson s mast](#) - Jun 28 2023

web mar 29 2023 master the sat 2003 e w out cd rom peterson s mast right here we have countless ebook master the sat 2003 e w out cd rom peterson s mast and collections to check out we additionally meet the expense of variant types and in addition to type of the books to browse the suitable book fiction history novel scientific

master the sat 2004 e w cd rom paperback june 22 2003 - Feb 22 2023

web jun 22 2003 master the sat 2004 e w cd rom skip to main content us hello select your address books hello sign in account lists returns orders cart all early black friday deals

master the sat 2003 e w out cd rom peterson s mast - Jan 12 2022

web master the sat 2003 e w out cd rom peterson s mast principles and practice of constraint programming cp 2010 applications of declarative programming and knowledge management logics in artificial intelligence learning and intelligent optimization theory and applications of satisfiability testing sat 2016 cracking the

master the sat 2003 e w out cd rom peterson s mast copy - Feb 10 2022

web master the sat 2003 e w out cd rom peterson s mast theory and applications of satisfiability testing learning and intelligent optimization cracking the advanced placement spanish 2004 2005 logic for programming artificial intelligence and reasoning logic for programming artificial intelligence and reasoning cracking the

master the sat 2003 e w out cd rom peterson s mast - Sep 19 2022

web master the sat 2003 e w out cd rom peterson s mast is available in our book collection an online access to it is set as public so you can download it instantly our digital library hosts in multiple countries allowing you to get the most less

master the sat 2003 e w out cd rom peterson s mast pdf - Mar 14 2022

web arco master the sat master the sat 2003 e w out cd rom peterson s mast downloaded from vm motorhomes co uk by guest pitts hester master the sat 2003 the princeton review this book constitutes the refereed proceedings of the 19th international conference on computer aided verification thirty three state of the

master the sat 2003 e w out cd rom peterson s master the sat - Mar 26 2023

web master the sat 2003 e w out cd rom peterson s master the sat book only by arco original suppliers directed by rob bowman with jennifer garner goran visnjic will yun lee kirsten zien elektra the warrior survives a near death experience bees an assassin for hire and tries to protect her two latest targets a single father and his young daughter

master the sat 2003 e w out cd rom peterson s master the sat - Nov 21 2022

web master the sat 2003 e w out cd rom peterson s master the sat book only by arco master the sat 2003 e w out cd rom peterson s master the sat book only by arco eastern washington university mercedes benz e class w211 2003 2009 technical articles google car corner o2 sensor diagnostics jaguar land rover classic parts enow s w a t

master the sat 2003 e w out cd rom peterson s master the sat - Oct 21 2022

web jun 13 2023 records of this master the sat 2003 e w out cd rom peterson s master the sat book only by arco by online as recognized adventure as masterfully as knowledge just about tutorial pleasure as masterfully as

master the new sat 2005 e w out cd rom amazon com - Dec 23 2022

web dec 15 2004 master the new sat 2005 e w out cd rom arco on amazon com free shipping on qualifying offers master the new sat 2005 e w out cd rom

master the sat 2003 e w out cd rom peterson s mast pdf - May 16 2022

web mar 18 2023 of this master the sat 2003 e w out cd rom peterson s mast pdf can be taken as without difficulty as picked to act master the sat 2003 e w out cd rom peterson s master web master the sat 2003 e w out cd rom peterson s master the sat book only by arco headcon 13 what s new in social science edge june 6th 2020 in july 2013

master the sat 2003 e w out cd rom peterson s master the sat - Jan 24 2023

web master the sat 2003 e w out cd rom peterson s master the sat book only by arco master the sat 2003 e w out cd rom peterson s master the sat book only by arco google thoughtco is the world s largest education resource st germain theosophy eastern washington university new master the van suited to your business renault uk mercedes

master the sat 2003 e w out cd rom peterson s mast pdf - Jul 30 2023

web all access to master the sat 2003 e w out cd rom peterson s mast pdf free download master the sat 2003 e w out cd rom peterson s mast pdf or read master the sat 2003 e w out cd rom peterson s mast pdf on the most popular online pdf lab only register an account to download master the sat 2003 e w out cd rom

master the sat 2003 e w out cd rom peterson s mast copy - Jun 16 2022

web it is your unconditionally own become old to deed reviewing habit among guides you could enjoy now is master the sat 2003 e w out cd rom peterson s mast below master the sat 2003 e w out cd rom peterson s mast 2021 04 26 jase clare cracking the ap biology exam springer this book constitutes the thoroughly refereed post conference

master the sat 2003 e w out cd rom peterson s mast - Aug 31 2023

web master the sat 2003 e w out cd rom peterson s mast 1 master the sat 2003 e w out cd rom peterson s mast cracking the ap chemistry 2002 2003 edition fm 2008 formal methods automated technology for verification and analysis theory and applications of satisfiability testing sat 2009 theory and applications of satisfiability testing

peterson s master the sat 2014 14th edition amazon com - Apr 14 2022

web aug 6 2013 amazon com peterson s master the sat 2014 9780768937541 peterson s books skip to main content us hello select your address books en hello sign in account lists

master the sat 2003 e w out cd rom peterson s mast pdf - Apr 26 2023

web perspicacity of this master the sat 2003 e w out cd rom peterson s mast can be taken as with ease as picked to act

master the sat 2003 e w out cd rom peterson s mast downloaded from doublespacio uchile cl by guest adelaide kristophe r
parallel processing and applied mathematics springer up to date information on 1 780 colleges

dictionnaire amoureux de la montagne dict amoureux by - Feb 18 2022

web littr adapt du grand fr dictionnaire amoureux de la montagne thiriez littr cart ddefinition citations tymologie la vie
parisienne viii dict leo les expressions dictionnaire

dictionnaire amoureux de la montagne senscritique - Apr 22 2022

web dictionnaire amoureux de la montagne est un livre de Frédéric Thiriez résumé un éloge passionné de la montagne mêlant
expériences vécues sensations lectures et

dictionnaire amoureux de la montagne dict amoureux pdf - Jul 26 2022

web sep 25 2023 dictionnaire amoureux de la montagne dict amoureux 1 4 downloaded from uniport edu ng on september 25
2023 by guest dictionnaire amoureux de la

dictionnaire amoureux de la montagne dict amoureux - May 24 2022

web dictionnaire amoureux de l italie de a à m grand dictionnaire universel du xixe siecle francais a z 1805 76 dictionnaire
amoureux du liban dictionnaire critique de

dictionnaire amoureux de la montagne broché fnac - Jul 06 2023

web nov 3 2016 fascination émerveillement peur joie fierté beauté paix sacré jubilation découragement triomphe souffrance
frustration injustice voire horreur la montagne

dictionnaire amoureux de la montagne dict amoureux copy - Jun 24 2022

web sep 26 2023 dictionnaire amoureux de la montagne dict amoureux 2 4 downloaded from uniport edu ng on september 26
2023 by guest critique et supplément de tous les

dictionnaire amoureux de la montagne dict amoureux pdf - Nov 29 2022

web oct 3 2023 webdictionnaire amoureux de la montagne dict amoureux 1 dictionnaire amoureux de la montagne dict
amoureux a la recherche de l arche de noé

dictionnaire amoureux de la montagne dict amoureux by - Nov 17 2021

web dictionnaire amoureux de la montagne dict amoureux by Frédéric Thiriez dictionnaire franais anglais doc le mystre de la
tombe gaylard souris noire

dictionnaire amoureux de la montagne grand format - Apr 03 2023

web nov 3 2016 dictionnaire amoureux de la montagne de Frédéric Thiriez collection dictionnaire amoureux livraison
gratuite à 0 01 dès 35 d achat librairie decitre

dictionnaire amoureux de montaigne andré comte - Feb 01 2023

web dans ce dictionnaire le philosophe andré comte sponville parvient à rendre plus clair certains thèmes concepts des essais de montaigne instructif limpide simple

dictionnaire amoureux de la montagne dict amoureux 2022 - Aug 27 2022

web dictionnaire amoureux de la mythologie dictionnaire amoureux des dictionnaires le bouquin de l humour involontaire ode au quartier latin le grand gibier dictionnaire

dictionnaire amoureux de la montagne dict amoureux by - May 04 2023

web dictionnaire amoureux de la montagne dict amoureux by Frédéric Thiriez mes dico s par sicle grande collection de dictionnaires plon books from this publisher isbn

dictionnaire amoureux de la montagne Frédéric Thiriez cultura - Mar 02 2023

web dictionnaire amoureux de la montagne par Frédéric Thiriez aux éditions plon un éloge passionné de la montagne mêlant expériences vécues sensations lectures et

dictionnaire amoureux de la montagne dict amoureux - Aug 07 2023

web nov 3 2016 buy dictionnaire amoureux de la montagne dict amoureux french edition read kindle store reviews amazon com

dictionnaire amoureux de la montagne dict amoureux by - Jan 20 2022

web sep 11 2023 dictionnaire amoureux de la montagne dict amoureux by Frédéric Thiriez mots menant par h dans le dictionnaire linternaute dictionnaire amoureux de

dictionnaire amoureux de la montagne Frédéric Thiriez - Oct 09 2023

web la collection des dictionnaires amoureux chez plon ne cesse de grandir après Elisabeth Roudinesco qui nous parle de psychanalyse Jean Louis Debré de la République ou

dictionnaire amoureux de la montagne dict amoureux pdf - Sep 27 2022

web oct 2 2023 webdictionnaire amoureux de la montagne dict amoureux 1 dictionnaire amoureux de la montagne dict amoureux a la recherche de l arche de Noé

dictionnaire amoureux de la montagne dict amoureux by - Dec 19 2021

web dictionnaire amoureux de la montagne dict amoureux by Frédéric Thiriez interprétation des rêves menant par la lettre a dictionnaire indiscret de l olympie pdf

dictionnaire amoureux de la montagne dict amoureux - Sep 08 2023

web nov 3 2016 un éloge passionné de la montagne mêlant expériences vécues sensations lectures et rencontres avec des adeptes de ce milieu

dictionnaire amoureux de la montagne dict amoureux pdf full - Oct 29 2022

web le grand dictionnaire historique ou le melange curieux de l histoire sacree et profane qui contient en abrege les vies et les actions remarquables des patriarches des juges des

dictionnaire amoureux de la montagne dict amoureux by - Dec 31 2022

web sep 16 2023 fr dictionnaire amoureux de la montagne thiriez april 15th 2020 le dictionnaire amoureux de la montagne est un dictionnaire amoureux de la très

dictionnaire amoureux de la montagne dict amoureux - Mar 22 2022

web dictionnaire amoureux de la montagne dict amoureux ebook thiriez frederic amazon fr livres

dictionnaire amoureux de la montagne amazon fr - Jun 05 2023

web le dictionnaire amoureux de la montagne est un dictionnaire amoureux de la très haute montagne il contient certes un article sur les pyrénées un sur le massif central