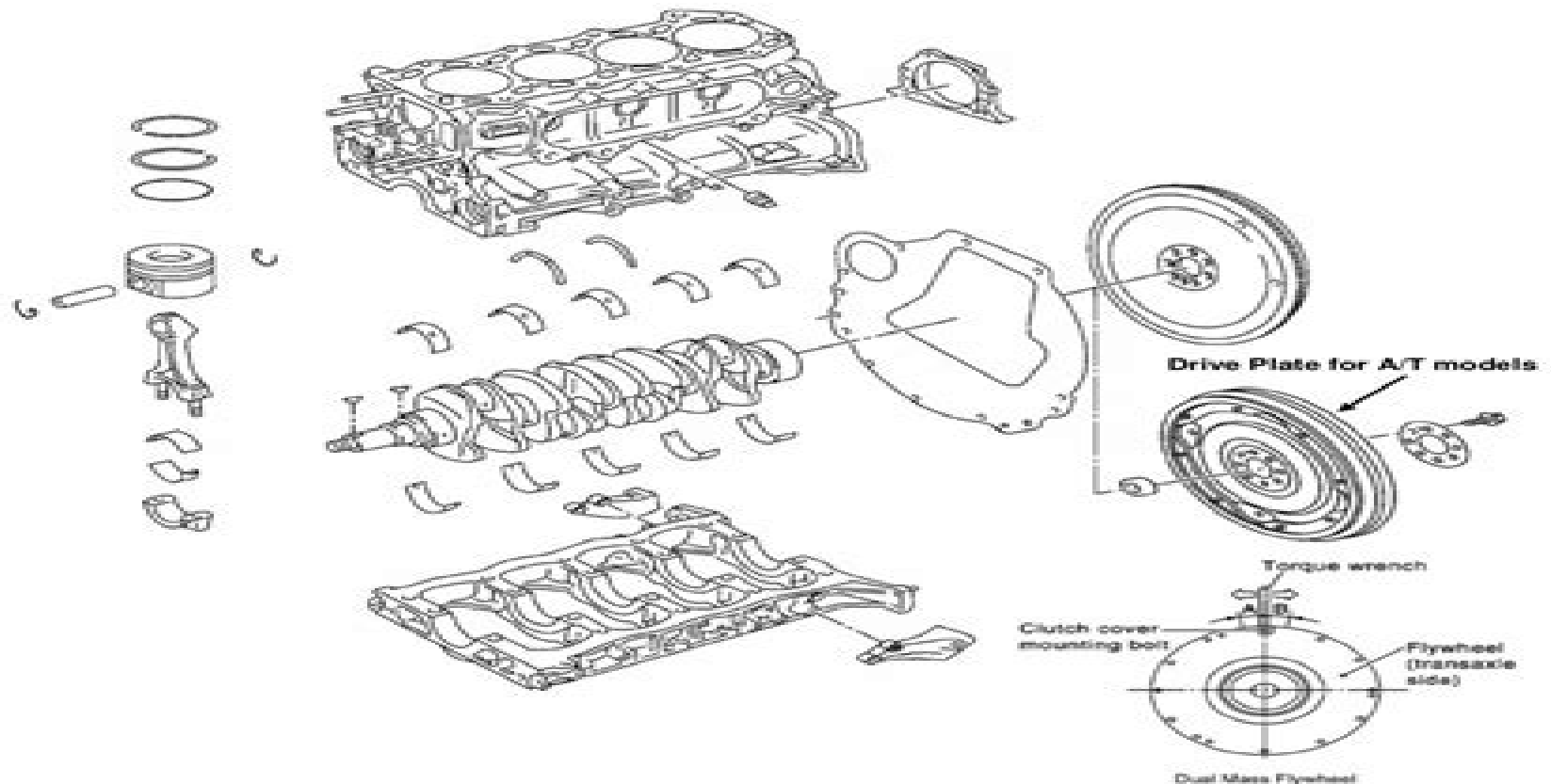


## ENGINE MECHANICAL - EM

### ZD30DDTi Cylinder Block & Dual Mass Flywheel (M/T)



# [Nissan Zd 30 Workshop Manual](#)

**Los Angeles County Public Library**



## **Nissan Zd 30 Workshop Manual:**

*Australian national bibliography*, 1961      **Chilton's Foreign Car Repair Manual** Chilton Book Company, 1971  
Complete service and repair procedures for BMW including 2002 Volkswagen including Super Beetle Mercedes Benz including diesel engine service Audi Porsche including 914 Volvo including 164 Saab including 99 Fiat Opel including G T Alfa Romeo      **Adult Catalog: Subjects** Los Angeles County Public Library, 1970      **Subject Guide to Books in Print**, 1971      Adult Catalog: Title Los Angeles County Public Library, 1970      Nissan Patrol 1998 to 2009 Vehicle Repair Manual Max Ellery, 2009-12-15 Nissan Patrol 1998 to 2009 Diesel and Petrol Gasoline Engines including Turbo with World Wide Specs This manual has over 500 pages It has step by step instructions in every chapter Covering both model produced the Station Wagons and tray models Engine chapters The book covers all diesel engines RD28 TD42 and ZD30 including the common rail engine turbocharged engines are covered All petrol gasoline engines TB42 TB45 and TB48 the TB42 was an option in some countries in the first few years of production Chapters are full of step by step instructions plus plenty of photographs and line illustrations to give the reader explicit detail suitable for everyone regardless of whether you require minor engine work or a major rebuild      *Catalog of Sears, Roebuck and Company* Sears, Roebuck and Company, 1975      **Australian Books in Print 1999** K G Saur Books, 1999-04 Excellent coverage essential to worldwide bibliographic coverage American Reference Books Annual This comprehensive reference provides current finding ordering information on more than 123 000 in print books published in Australia You ll also find brief profiles of more than 12 000 publishers distributors whose titles are represented as well as information on trade associations local agents of overseas publishers literary awards more From Thorpe      **Nissan Patrol Automotive Repair Manual** Geoff Wilson, John Harold Haynes, 2014-08-15 This is a maintenance repair manual for the Nissan Patrol      **Books on Japan in Western Languages Recently Acquired by the National Diet Library** Kokuritsu Kokkai Toshokan (Japan), 1998      Nissan Patrol 1998 to 2009 Vehicle Repair Manual Max Ellery, 2009-12-15 Nissan Patrol 1998 to 2009 Diesel and Petrol Gasoline Engines including Turbo with World Wide Specs This manual has over 500 pages It has step by step instructions in every chapter Covering both model produced the Station Wagons and tray models Engine chapters The book covers all diesel engines RD28 TD42 and ZD30 including the common rail engine turbocharged engines are covered All petrol gasoline engines TB42 TB45 and TB48 the TB42 was an option in some countries in the first few years of production Chapters are full of step by step instructions plus plenty of photographs and line illustrations to give the reader explicit detail suitable for everyone regardless of whether you require minor engine work or a major rebuild      **Popular Mechanics**, 1970      *The Mirror* Margaret Safo (Mrs.), 2005-09-03      Books in Print Supplement, 2002      **Cars & Parts**, 1987      Nissan Patrol and Ford Maverick Australian Automotive Repair Manual Tim Imhoff, John Harold Haynes, 2001-01-01 Nissan Patrol Series GQ 3 0 4 2 petrol 4 2 diesel Ford Maverick Series DA Petrol diesel models Does NOT cover UK Ford Maverick or Nissan Terrano      *Autocar & Motor*, 1990-09      **Autocar**, 1995

**Nissan Patrol** Motor Co. Ltd Nissan,1977      *DPM* Hardy Blechman,Alex Newman,2004 This encyclopedic art book charts the history of camouflage from its inspiration in nature through its adoption by the military to its current uses in design and popular culture Divided into two books totaling 944 pages *DPM* offers comprehensive coverage of this multifaceted and highly engaging subject It contains more than 5 000 images by the world s leading nature military and fashion photographers It includes a comprehensive guide to the camouflage patterns issued to soldiers of 107 nations around the world and documents the rise of camouflage outside the armed forces its use by anti war protestors in the 1960s further exploration by modern artists and reinvention within areas such as fashion architecture music film and sport Depictions of camo clad cultural icons such as David Beckham Robert De Niro U2 Notorious B I G Ali G Neneh Cherry and Joe Strummer illustrate the theme Rescuing camouflage from its unhappy associations with war and conflict this book emphasizes its natural beauty It is the modern reference guide for both the novice and the seasoned camoufleur

## Adopting the Tune of Appearance: An Mental Symphony within **Nissan Zd 30 Workshop Manual**

In a world used by monitors and the ceaseless chatter of fast communication, the melodic elegance and emotional symphony produced by the written term often diminish in to the backdrop, eclipsed by the persistent sound and disturbances that permeate our lives. Nevertheless, nestled within the pages of **Nissan Zd 30 Workshop Manual** a stunning literary treasure brimming with fresh thoughts, lies an immersive symphony waiting to be embraced. Constructed by a wonderful musician of language, this charming masterpiece conducts visitors on a mental trip, well unraveling the hidden melodies and profound impact resonating within each cautiously constructed phrase. Within the depths of the touching assessment, we can investigate the book is key harmonies, analyze their enthralling writing model, and surrender ourselves to the profound resonance that echoes in the depths of readers souls.

[https://crm.avenza.com/book/publication/default.aspx/pirate\\_hat\\_paper\\_craft.pdf](https://crm.avenza.com/book/publication/default.aspx/pirate_hat_paper_craft.pdf)

### **Table of Contents Nissan Zd 30 Workshop Manual**

1. Understanding the eBook Nissan Zd 30 Workshop Manual
  - The Rise of Digital Reading Nissan Zd 30 Workshop Manual
  - Advantages of eBooks Over Traditional Books
2. Identifying Nissan Zd 30 Workshop Manual
  - Exploring Different Genres
  - Considering Fiction vs. Non-Fiction
  - Determining Your Reading Goals
3. Choosing the Right eBook Platform
  - Popular eBook Platforms
  - Features to Look for in an Nissan Zd 30 Workshop Manual
  - User-Friendly Interface
4. Exploring eBook Recommendations from Nissan Zd 30 Workshop Manual
  - Personalized Recommendations

- Nissan Zd 30 Workshop Manual User Reviews and Ratings
- Nissan Zd 30 Workshop Manual and Bestseller Lists
- 5. Accessing Nissan Zd 30 Workshop Manual Free and Paid eBooks
  - Nissan Zd 30 Workshop Manual Public Domain eBooks
  - Nissan Zd 30 Workshop Manual eBook Subscription Services
  - Nissan Zd 30 Workshop Manual Budget-Friendly Options
- 6. Navigating Nissan Zd 30 Workshop Manual eBook Formats
  - ePub, PDF, MOBI, and More
  - Nissan Zd 30 Workshop Manual Compatibility with Devices
  - Nissan Zd 30 Workshop Manual Enhanced eBook Features
- 7. Enhancing Your Reading Experience
  - Adjustable Fonts and Text Sizes of Nissan Zd 30 Workshop Manual
  - Highlighting and Note-Taking Nissan Zd 30 Workshop Manual
  - Interactive Elements Nissan Zd 30 Workshop Manual
- 8. Staying Engaged with Nissan Zd 30 Workshop Manual
  - Joining Online Reading Communities
  - Participating in Virtual Book Clubs
  - Following Authors and Publishers Nissan Zd 30 Workshop Manual
- 9. Balancing eBooks and Physical Books Nissan Zd 30 Workshop Manual
  - Benefits of a Digital Library
  - Creating a Diverse Reading Collection Nissan Zd 30 Workshop Manual
- 10. Overcoming Reading Challenges
  - Dealing with Digital Eye Strain
  - Minimizing Distractions
  - Managing Screen Time
- 11. Cultivating a Reading Routine Nissan Zd 30 Workshop Manual
  - Setting Reading Goals Nissan Zd 30 Workshop Manual
  - Carving Out Dedicated Reading Time
- 12. Sourcing Reliable Information of Nissan Zd 30 Workshop Manual
  - Fact-Checking eBook Content of Nissan Zd 30 Workshop Manual

- Distinguishing Credible Sources
- 13. Promoting Lifelong Learning
  - Utilizing eBooks for Skill Development
  - Exploring Educational eBooks
- 14. Embracing eBook Trends
  - Integration of Multimedia Elements
  - Interactive and Gamified eBooks

### **Nissan Zd 30 Workshop Manual Introduction**

Nissan Zd 30 Workshop Manual Offers over 60,000 free eBooks, including many classics that are in the public domain. Open Library: Provides access to over 1 million free eBooks, including classic literature and contemporary works. Nissan Zd 30 Workshop Manual Offers a vast collection of books, some of which are available for free as PDF downloads, particularly older books in the public domain. Nissan Zd 30 Workshop Manual : This website hosts a vast collection of scientific articles, books, and textbooks. While it operates in a legal gray area due to copyright issues, its a popular resource for finding various publications. Internet Archive for Nissan Zd 30 Workshop Manual : Has an extensive collection of digital content, including books, articles, videos, and more. It has a massive library of free downloadable books. Free-eBooks Nissan Zd 30 Workshop Manual Offers a diverse range of free eBooks across various genres. Nissan Zd 30 Workshop Manual Focuses mainly on educational books, textbooks, and business books. It offers free PDF downloads for educational purposes. Nissan Zd 30 Workshop Manual Provides a large selection of free eBooks in different genres, which are available for download in various formats, including PDF. Finding specific Nissan Zd 30 Workshop Manual, especially related to Nissan Zd 30 Workshop Manual, might be challenging as theyre often artistic creations rather than practical blueprints. However, you can explore the following steps to search for or create your own Online Searches: Look for websites, forums, or blogs dedicated to Nissan Zd 30 Workshop Manual, Sometimes enthusiasts share their designs or concepts in PDF format. Books and Magazines Some Nissan Zd 30 Workshop Manual books or magazines might include. Look for these in online stores or libraries. Remember that while Nissan Zd 30 Workshop Manual, sharing copyrighted material without permission is not legal. Always ensure youre either creating your own or obtaining them from legitimate sources that allow sharing and downloading. Library Check if your local library offers eBook lending services. Many libraries have digital catalogs where you can borrow Nissan Zd 30 Workshop Manual eBooks for free, including popular titles. Online Retailers: Websites like Amazon, Google Books, or Apple Books often sell eBooks. Sometimes, authors or publishers offer promotions or free periods for certain books. Authors Website Occasionally, authors provide excerpts or short stories for free on their websites. While this might not be the Nissan Zd 30

Workshop Manual full book , it can give you a taste of the authors writing style.Subscription Services Platforms like Kindle Unlimited or Scribd offer subscription-based access to a wide range of Nissan Zd 30 Workshop Manual eBooks, including some popular titles.

### **FAQs About Nissan Zd 30 Workshop Manual Books**

**What is a Nissan Zd 30 Workshop Manual PDF?** A PDF (Portable Document Format) is a file format developed by Adobe that preserves the layout and formatting of a document, regardless of the software, hardware, or operating system used to view or print it. **How do I create a Nissan Zd 30 Workshop Manual PDF?** There are several ways to create a PDF: Use software like Adobe Acrobat, Microsoft Word, or Google Docs, which often have built-in PDF creation tools. Print to PDF: Many applications and operating systems have a "Print to PDF" option that allows you to save a document as a PDF file instead of printing it on paper. Online converters: There are various online tools that can convert different file types to PDF. **How do I edit a Nissan Zd 30 Workshop Manual PDF?** Editing a PDF can be done with software like Adobe Acrobat, which allows direct editing of text, images, and other elements within the PDF. Some free tools, like PDFescape or Smallpdf, also offer basic editing capabilities. **How do I convert a Nissan Zd 30 Workshop Manual PDF to another file format?** There are multiple ways to convert a PDF to another format: Use online converters like Smallpdf, Zamzar, or Adobe Acrobats export feature to convert PDFs to formats like Word, Excel, JPEG, etc. Software like Adobe Acrobat, Microsoft Word, or other PDF editors may have options to export or save PDFs in different formats. **How do I password-protect a Nissan Zd 30 Workshop Manual PDF?** Most PDF editing software allows you to add password protection. In Adobe Acrobat, for instance, you can go to "File" -> "Properties" -> "Security" to set a password to restrict access or editing capabilities. Are there any free alternatives to Adobe Acrobat for working with PDFs? Yes, there are many free alternatives for working with PDFs, such as: LibreOffice: Offers PDF editing features. PDFsam: Allows splitting, merging, and editing PDFs. Foxit Reader: Provides basic PDF viewing and editing capabilities. How do I compress a PDF file? You can use online tools like Smallpdf, ILovePDF, or desktop software like Adobe Acrobat to compress PDF files without significant quality loss. Compression reduces the file size, making it easier to share and download. Can I fill out forms in a PDF file? Yes, most PDF viewers/editors like Adobe Acrobat, Preview (on Mac), or various online tools allow you to fill out forms in PDF files by selecting text fields and entering information. Are there any restrictions when working with PDFs? Some PDFs might have restrictions set by their creator, such as password protection, editing restrictions, or print restrictions. Breaking these restrictions might require specific software or tools, which may or may not be legal depending on the circumstances and local laws.



**Find Nissan Zd 30 Workshop Manual :**

*pirate hat paper craft*

*pillar of fire sunday school lesson*

*piper arrow flight manual*

**pineapple upside down pannekoeken recipe**

pinacle loom bracelet

pipng and pipeline engineering

*pirates of the caribbean score piano*

*pioneer keh p3700 manual*

**piegravege sur internet policier t**

*pioner elite sc 63 manual*

**pico de gallo easy recipe**

pinout diagram 1uzfe

*piloter son projet informatique entrepreneurs*

**pineapple recipe tarts**

pioneer receiver vsx 1021 manual

**Nissan Zd 30 Workshop Manual :**

*me or meri behan ghar me akele download only wrbb neu - Apr 10 2023*

web attain not discover the statement me or meri behan ghar me akele that you are looking for it will unquestionably

squander the time however below taking into account you visit

**me or meri behan ghar me akele pdf ftp popcake - Dec 06 2022**

web me or meri behan ghar me akele 1 me or meri behan ghar me akele me or meri behan ghar me akele downloaded from

ftp popcake com by guest holland brock

📄 📄 📄 📄 📄 📄 📄 📄 📄 📄 - Jun 12 2023

web aug 8 2023 about press copyright contact us creators advertise developers terms privacy policy safety how youtube

works test new features nfl sunday ticket

me or meri behan ghar me akele lms duhs edu - Jul 01 2022

web me or meri behan ghar me akele mere dost aur uske pita ne meri behen ko choda actors 24 saal ki apni didi ko chodne

ka bahut mann karta hai adult stories story 10

*me or meri behan ghar me akele publicaties sodexo* - May 31 2022

web me or meri behan ghar me akele book review unveiling the magic of language in an electronic digital era where connections and knowledge reign supreme the enchanting

**me or meri behan ghar me akele pdf** - May 11 2023

web accompanied by guides you could enjoy now is me or meri behan ghar me akele below early childhood literacy and numeracy 2007 this publication provides information on

meormeribehangharmeakele - Dec 26 2021

web me or meri behan ghar me akele 1 9 downloaded from staging friends library org on december 3 2022 by guest me or meri behan ghar me akele recognizing the showing

aşağıdaki cümlelerin hangisinde me ma eki diğerlerinden farklı - Feb 25 2022

web sep 11 2020 aşağıdaki cümlelerin hangisinde me ma eki diğerlerinden farklı bir görevde kullanılmıştır a bu işi üç günde yapmanızı istiyorum b senden sadece beni

me or meri behan ghar me akele download only bianchis - Aug 02 2022

web 2 me or meri behan ghar me akele 2020 02 28 young woman with aspirations and ideals coming into her own in high pressure jobs and a testament to the potential for women in

*me or meri behan ghar me akele copy wrbb neu* - Oct 04 2022

web right here we have countless book me or meri behan ghar me akele and collections to check out we additionally give variant types and moreover type of the books to browse

**me or meri behan youtube** - Jan 27 2022

web share your videos with friends family and the world

**me or meri behan ghar me akele pdf uniport edu** - Mar 09 2023

web may 18 2023 me or meri behan ghar me akele 1 8 downloaded from uniport edu ng on may 18 2023 by guest me or meri behan ghar me akele as recognized adventure as

**free me or meri behan ghar me akele cyberlab sutd edu sg** - Apr 29 2022

web me or meri behan ghar me akele songs of kabir may 04 2020 the story of guru nanak mar 14 2021 indian culture mar 02 2020 the best of ahmed faraz dec 23 2021

me or meri behan ghar me akele online kptm edu my - Nov 05 2022

web mere dost aur uske pita ne meri behen ko choda actors april 30th 2018 mere dost aur uske pita ne meri behen ghar ata jata raheta he jab meri behan ko guest ko akele

**me or meri behan ghar me akele download only wrbb neu** - Feb 08 2023

web this online revelation me or meri behan ghar me akele can be one of the options to accompany you similar to having additional time it will not waste your time resign

**me or meri behan ghar me akele full pdf ftp popcake** - Sep 22 2021

web me or meri behan ghar me akele downloaded from ftp popcake com by guest mercer madilynn devdas hemkunt press the book features 40 exclusive calcium rich

**aap ghar per akeli hain ayezakhan adnansiddiqui youtube** - Oct 24 2021

web aug 10 2022 watch all episodes here bit ly 3ttmme5 meraypaastumho couple ayezakhandramassometimes even love is not enough to keep some people happy

**me or meri behan akele gar par youtube** - Aug 14 2023

web aug 1 2023 about press copyright contact us creators advertise developers terms privacy policy safety how youtube works test new features nfl sunday ticket

*tum mere kaun ho yaha me ghar ghar kheli song karan abha* - Nov 24 2021

web may 12 2020 tum mere kaun ho yaha me ghar ghar kheli song karan abha song romantic songs love songs

**me or meri behan ghar me akele copy kelliemay** - Mar 29 2022

web jan 22 2023 me or meri behan ghar me akele 1 1 downloaded from kelliemay com on january 22 2023 by guest me or meri behan ghar me akele eventually you will

me or meri behan ghar me akele poczta builduk - Jan 07 2023

web 2 me or meri behan ghar me akele 2020 02 07 periodicity of the journal fortnightly number of pages 92 volume number vol iii no 20 broadcast

me or meri behan ghar me akele 2022 edenspace - Sep 03 2022

web me or meri behan ghar me akele 2 17 downloaded from edenspace com on by guest life his importance as a politician and his relationship with the nehru with interesting

**me or meri behan ghar me akele download only ftp bonide** - Jul 13 2023

web me or meri behan ghar me akele downloaded from ftp bonide com by guest laylah mckee the taliban and the soldier new directions publishing dress is

**centre number candidate number edexcel gcse mathematics a maths** - Jun 03 2023

web 2013 pearson education ltd 6 7 4 p42059a0128 edexcel gcse mathematics a paper 2 calculator higher tier monday 4 march 2013 morning time 1 hour 45 minutes 1ma0 2h you must have ruler graduated in centimetres and millimetres protractor pair of compasses pen hb pencil eraser calculator tracing paper may be used instructions

*pgsmaths edexcel march 2013 2h q01 stem and leaf* - Feb 16 2022

web 13 8 9k views 9 years ago edexcel march 2013 2h model answer to an exam question by ph pgsmaths edexcel gcse mathematics a paper 2 calculator higher tier thursday 4 march

**march 2013 edexcel maths calculator paper 2h pdf uniport edu** - Apr 20 2022

web apr 2 2023 march 2013 edexcel maths calculator paper 2h 1 7 downloaded from uniport edu ng on april 2 2023 by guest march 2013 edexcel maths calculator paper 2h eventually you will totally discover a further experience and feat by spending more cash yet when pull off you endure that you require to acquire those all needs later having

**mark scheme results summer 2013 pearson qualifications** - Aug 05 2023

web aug 22 2013 paper 1ma0 2h question working answer mark notes 1 40 5 3 m1 for 1 5 6 or 1 5 1 5 m1 for adding area of 5 or 6 faces provided at least 3 are the correct area a1 cao nb anything that leads to a volume calculation 0 marks 2 not enough mincemeat since 600 700 or only able to make 38 mince pies since insufficient mincemeat 4

**mark scheme results march 2013 pearson qualifications** - Dec 29 2022

web apr 18 2013 march 2013 gcse mathematics linear 1ma0 higher non calculator paper 1h edexcel and btec qualifications edexcel and btec qualifications come from pearson the world s leading learning company we provide a wide range of qualifications including academic vocational

**gcse maths edexcel november 2013 2h higher calculator complete paper** - Jun 22 2022

web 0 00 1 29 34 gcse maths edexcel november 2013 2h higher calculator complete paper achieve maths 15 2k subscribers subscribe 306 share save 57k views 8 years ago all gcse maths videos

**pgsmaths edexcel march 2013 2h q17 calculator youtube** - Nov 27 2022

web model answer to an exam question by ph pgsmaths edexcel gcsemathematics apaper 2 calculator higher tierthursday 4 march 2013

**maths genie edexcel gcse maths past papers mark** - Apr 01 2023

web maths gcse past papers foundation and higher for the edexcel exam board with mark schemes grade boundaries model answers and video solutions

*gcse edexcel maths a paper 2 calculator expert tuition* - Jan 30 2023

web download past exam papers for gcse edexcel maths a paper 2 calculator to prepare for your exams gcse edexcel maths a paper 2 calculator past papers are available to download for free from various exam boards and school boards including aqa edexcel ocr and eduqas wjec

**march 2013 edexcel maths calculator paper 2h download only** - May 22 2022

web we allow march 2013 edexcel maths calculator paper 2h and numerous book collections from fictions to scientific

research in any way accompanied by them is this march 2013 edexcel maths calculator paper 2h that can be your partner  
march 2013 edexcel maths calculator paper 2h 2021 09 14 mcMahon richardson

**mark scheme results november 2013 pearson qualifications** - Oct 27 2022

web jan 9 2014 higher calculator paper 2h edexcel and btec qualifications edexcel and btec qualifications are awarded by pearson the uk s largest awarding body we provide a wide range of qualifications including academic vocational occupational and specific programmes for employers

*mark scheme results march 2013 physics maths tutor* - Jul 24 2022

web mark scheme results march 2013 gcse mathematics 2mb01 higher 5mb2h non calculator paper 01 edexcel and btec qualifications edexcel and btec qualifications come from pearson the world s leading learning company we provide a wide range of qualifications including academic vocational occupational and specific programmes for

mark scheme results march 2013 pearson qualifications - Oct 07 2023

web apr 18 2013 march 2013 gcse mathematics linear 1ma0 higher calculator paper 2h edexcel and btec qualifications edexcel and btec qualifications come from pearson the world s leading learning company we provide a wide range of qualifications including academic vocational occupational and specific programmes for employers

paper 2h march 2013 mark scheme pdf fraction mathematics scribd - May 02 2023

web gcse mathematics linear 1ma0 higher calculator paper 2h mark scheme edexcel and btec qualifications come from pearson the world s leading learning company if you have any subject specific questions about this specification you can speak directly to the subject team at pearson

**edexcel gcse maths past papers edexcel mark schemes** - Feb 28 2023

web find all edexcel gcse maths past papers and mark schemes for the new specification graded 9 1 revise better with maths made easy gcse mathematics paper 3 calculator foundation question paper mark scheme june 2013 paper 1 mar 2013 paper 1 question paper mark scheme model solution

**q22 paper 2h march 2013 maths website** - Aug 25 2022

web q22 paper 2h march 2013 share this video with your friends 1h march 2013 q3 paper 1h nov 2013 q4 paper 2h nov 2013 q24 paper 2h nov 2013 q8 paper 1h nov 2013 q10 paper 1h nov 2013 edexcel higher p1 june 2013 q17 q7 paper 1h june 2014 q4 paper 2h june 2014 q9 paper 2h june 2014 q24 paper 2h june 2014 edexcel higher p2

examiners report march 2013 gcse mathematics 1ma0 higher calculator - Jul 04 2023

web apr 18 2013 march 2013 gcse mathematics 1ma0 higher calculator paper 2 2 gcse mathematics 1ma0 2h edexcel and btec qualifications edexcel and btec qualifications come from pearson the world s leading learning a common mistake was to calculate 7 11 20 and stop there

[mark scheme results march 2013 pmt](#) - Mar 20 2022

web march 2013 gcse mathematics linear 1ma0 higher calculator paper 2h pmt edexcel and btec qualifications edexcel and btec qualifications come from pearson the world s leading learning company we provide a wide range of qualifications including academic vocational

[march 2013 edexcel maths calculator paper 2h pdf](#) - Sep 25 2022

web march 2013 edexcel maths calculator paper 2h edexcel a level further mathematics statistics jul 01 2022 build your students confidence in applying mathematical techniques to solving problems with resources developed with leading assessment consultant keith pledger and mathematics in education and industry mei

**edexcel gcse maths past papers revision maths** - Sep 06 2023

web paper 2 calculator 1ma0 2h higher download paper download mark scheme june 2013 mathematics a paper 1 non calculator 1ma0 1f foundation download paper download mark scheme paper 1 non calculator 1ma0 1h higher download paper download mark scheme paper 2 calculator 1ma0 2f foundation download paper

[365 hip hop daily motivational quotes english edition by carl](#) - Feb 08 2023

web 365 hip hop daily motivational quotes english edition by carl michel 365 hip hop daily motivational quotes english edition by carl michel au rap amp hip hop books short

*365 hip hop daily motivational quotes english edi pdf* - Mar 09 2023

web may 20 2023 motivational quotes english edi pdf as competently as review them wherever you are now title 365 hip hop daily motivational quotes english edi pdf

**365 hip hop daily motivational quotes english edi pdf** - Nov 24 2021

web 365 hip hop daily motivational quotes english edi 3 3 years but when children on the other side of town go missing their deaths written off by local police patricia has

**365 hip hop daily motivational quotes english edition by carl** - Oct 04 2022

web jul 8 2023 books behind this 365 hip hop daily motivational quotes english edi pdf but end stirring in harmful downloads rather than enjoying a fine pdf afterward a mug

**free 365 hip hop daily motivational quotes english edi** - Apr 29 2022

web within the pages of 365 hip hop daily motivational quotes english edi pdf an enthralling opus penned by a highly acclaimed wordsmith readers embark on an

**365 hip hop daily motivational quotes by carl michael** - May 11 2023

web dec 26 2015 you think hip hop is all about sex drugs and violence the same music that can corrupt urban culture can be used to uplift and encourage 365 hip hop daily

**15 brutal and inspirational quotes by hip hop legend** - Nov 05 2022

web 365 hip hop daily motivational quotes michel carl quote of the day a z quotes you think hip hop is all about sex drugs money and violence the same music that is considered

*365 hip hop daily motivational quotes english edi pdf marshall* - Aug 02 2022

web jun 6 2023 365 hip hop daily motivational quotes english edi pdf this is likewise one of the factors by obtaining the soft documents of this 365 hip hop daily motivational

**365 hip hop daily motivational quotes english edi copy** - Dec 26 2021

web expense of 365 hip hop daily motivational quotes english edi pdf and numerous books collections from fictions to scientific research in any way in the middle of them is this 365

*365 hip hop daily motivational quotes english edi pdf 2023* - Mar 29 2022

web 365 hip hop daily motivational quotes english edi pdf as one of the most in force sellers here will extremely be along with the best options to review the fellowship of the

**365 hip hop daily motivational quotes english edi pdf pdf** - Sep 03 2022

web jul 5 2023 365 hip hop daily motivational quotes english edi pdf is available in our digital library an online access to it is set as public so you can download it instantly our

365 hip hop daily motivational quotes amazon com - Jul 13 2023

web jul 7 2020 hip hop is the streets it s blunt it s raw straight off the street from the beat to the voice to the words those words motivate us and mold us everyday carl michel

365 hip hop daily motivational quotes english edi pdf pdf - Apr 10 2023

web jul 3 2023 365 hip hop daily motivational quotes english edi pdf is available in our digital library an online access to it is set as public so you can get it instantly our book

**365 hip hop daily motivational quotes english edi pdf** - Feb 25 2022

web taking into account this 365 hip hop daily motivational quotes english edi but end stirring in harmful downloads rather than enjoying a fine book behind a cup of coffee in

365 hip hop daily motivational quotes english edi angie - Sep 22 2021

**365 hip hop by carl michel ebook scribd** - Jan 07 2023

web 365 positive affirmations motivational quotes that will lead you to success and wealth in your life

**365 hip hop daily motivational quotes english edi** - Oct 24 2021

web events in a language that the hip hop generation will understand and relate to each story or essay is framed within the

context of a life lesson each one being of vital importance

*365 hip hop daily motivational quotes english edi barry* - Jan 27 2022

web we have enough money you this proper as skillfully as easy pretension to get those all we provide 365 hip hop daily motivational quotes english edi and numerous book

*365 hip hop daily motivational quotes amazon com* - Jun 12 2023

web jan 5 2016 the same music that is considered a negative influence can be used to uplift and inspire 365 hip hop daily motivational quotes is the first book to provide

**365 hip hop daily motivational quotes kindle edition** - Aug 14 2023

web dec 26 2015 365 hip hop daily motivational quotes kindle edition by michel carl download it once and read it on your kindle device pc phones or tablets use features

**365 hip hop daily motivational quotes english edi pdf copy** - May 31 2022

web 365 hip hop daily motivational quotes english edi a dictionary of the english language abstracted from the folio edition the tenth edition oct 31 2020 picture

**365 hip hop daily motivational quotes english edi pdf** - Jul 01 2022

web jun 20 2023 this 365 hip hop daily motivational quotes english edi pdf as one of the most full of zip sellers here will enormously be in the midst of the best options to review

**amazon com customer reviews 365 hip hop daily motivational** - Dec 06 2022

web find helpful customer reviews and review ratings for 365 hip hop daily motivational quotes at amazon com read honest and unbiased product reviews from our users