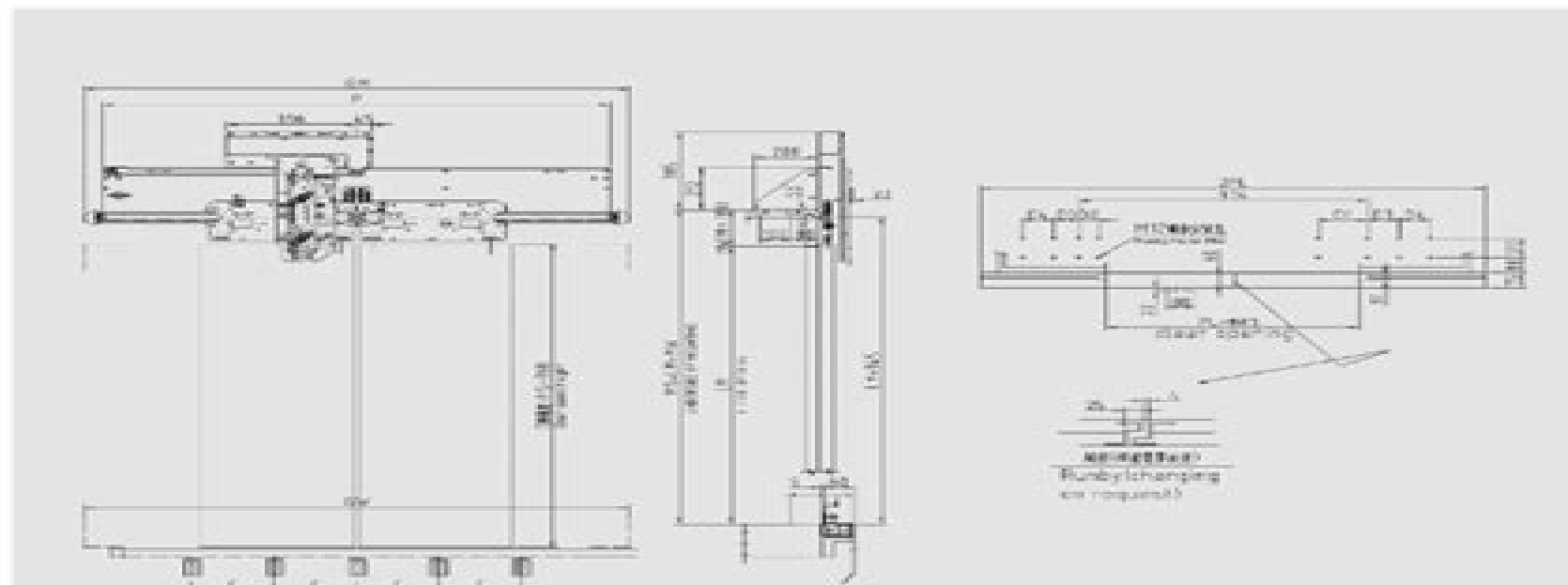
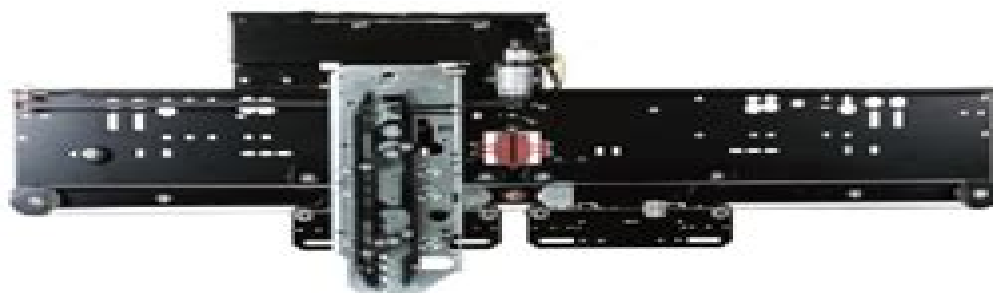


SELCOM-HYDRA ECO Type 中分两扇轿门

Two Panels Centre Opening Car Door

产品尺寸 Products Measurement

PL	C	GW	GM	标准上坎 Standard Hangers	
				P	
700	250	1450	1390		1390
800		1650	1600		1540
900		1850	1840		
1000		2050	1990		1740
1100	275	2250	2090		1930
1200		2450	2440		2090



Selcom 3201 Hydra Arm Manual

D Kirk



Selcom 3201 Hydra Arm Manual:

Thank you utterly much for downloading **Selcom 3201 Hydra Arm Manual**. Maybe you have knowledge that, people have look numerous time for their favorite books in the manner of this Selcom 3201 Hydra Arm Manual, but end in the works in harmful downloads.

Rather than enjoying a good book bearing in mind a cup of coffee in the afternoon, then again they juggled past some harmful virus inside their computer. **Selcom 3201 Hydra Arm Manual** is approachable in our digital library an online entrance to it is set as public consequently you can download it instantly. Our digital library saves in combined countries, allowing you to get the most less latency era to download any of our books past this one. Merely said, the Selcom 3201 Hydra Arm Manual is universally compatible afterward any devices to read.

https://crm.avenza.com/files/uploaded-files/Documents/Repair_Manual_Yamaha_Ttr_2009.pdf

Table of Contents Selcom 3201 Hydra Arm Manual

1. Understanding the eBook Selcom 3201 Hydra Arm Manual
 - The Rise of Digital Reading Selcom 3201 Hydra Arm Manual
 - Advantages of eBooks Over Traditional Books
2. Identifying Selcom 3201 Hydra Arm Manual
 - Exploring Different Genres
 - Considering Fiction vs. Non-Fiction
 - Determining Your Reading Goals
3. Choosing the Right eBook Platform
 - Popular eBook Platforms
 - Features to Look for in an Selcom 3201 Hydra Arm Manual
 - User-Friendly Interface
4. Exploring eBook Recommendations from Selcom 3201 Hydra Arm Manual
 - Personalized Recommendations
 - Selcom 3201 Hydra Arm Manual User Reviews and Ratings

- Selcom 3201 Hydra Arm Manual and Bestseller Lists
- 5. Accessing Selcom 3201 Hydra Arm Manual Free and Paid eBooks
 - Selcom 3201 Hydra Arm Manual Public Domain eBooks
 - Selcom 3201 Hydra Arm Manual eBook Subscription Services
 - Selcom 3201 Hydra Arm Manual Budget-Friendly Options
- 6. Navigating Selcom 3201 Hydra Arm Manual eBook Formats
 - ePub, PDF, MOBI, and More
 - Selcom 3201 Hydra Arm Manual Compatibility with Devices
 - Selcom 3201 Hydra Arm Manual Enhanced eBook Features
- 7. Enhancing Your Reading Experience
 - Adjustable Fonts and Text Sizes of Selcom 3201 Hydra Arm Manual
 - Highlighting and Note-Taking Selcom 3201 Hydra Arm Manual
 - Interactive Elements Selcom 3201 Hydra Arm Manual
- 8. Staying Engaged with Selcom 3201 Hydra Arm Manual
 - Joining Online Reading Communities
 - Participating in Virtual Book Clubs
 - Following Authors and Publishers Selcom 3201 Hydra Arm Manual
- 9. Balancing eBooks and Physical Books Selcom 3201 Hydra Arm Manual
 - Benefits of a Digital Library
 - Creating a Diverse Reading Collection Selcom 3201 Hydra Arm Manual
- 10. Overcoming Reading Challenges
 - Dealing with Digital Eye Strain
 - Minimizing Distractions
 - Managing Screen Time
- 11. Cultivating a Reading Routine Selcom 3201 Hydra Arm Manual
 - Setting Reading Goals Selcom 3201 Hydra Arm Manual
 - Carving Out Dedicated Reading Time
- 12. Sourcing Reliable Information of Selcom 3201 Hydra Arm Manual
 - Fact-Checking eBook Content of Selcom 3201 Hydra Arm Manual
 - Distinguishing Credible Sources

13. Promoting Lifelong Learning
 - Utilizing eBooks for Skill Development
 - Exploring Educational eBooks
14. Embracing eBook Trends
 - Integration of Multimedia Elements
 - Interactive and Gamified eBooks

Selcom 3201 Hydra Arm Manual Introduction

In today's digital age, the availability of Selcom 3201 Hydra Arm Manual books and manuals for download has revolutionized the way we access information. Gone are the days of physically flipping through pages and carrying heavy textbooks or manuals. With just a few clicks, we can now access a wealth of knowledge from the comfort of our own homes or on the go. This article will explore the advantages of Selcom 3201 Hydra Arm Manual books and manuals for download, along with some popular platforms that offer these resources. One of the significant advantages of Selcom 3201 Hydra Arm Manual books and manuals for download is the cost-saving aspect. Traditional books and manuals can be costly, especially if you need to purchase several of them for educational or professional purposes. By accessing Selcom 3201 Hydra Arm Manual versions, you eliminate the need to spend money on physical copies. This not only saves you money but also reduces the environmental impact associated with book production and transportation. Furthermore, Selcom 3201 Hydra Arm Manual books and manuals for download are incredibly convenient. With just a computer or smartphone and an internet connection, you can access a vast library of resources on any subject imaginable. Whether you're a student looking for textbooks, a professional seeking industry-specific manuals, or someone interested in self-improvement, these digital resources provide an efficient and accessible means of acquiring knowledge. Moreover, PDF books and manuals offer a range of benefits compared to other digital formats. PDF files are designed to retain their formatting regardless of the device used to open them. This ensures that the content appears exactly as intended by the author, with no loss of formatting or missing graphics. Additionally, PDF files can be easily annotated, bookmarked, and searched for specific terms, making them highly practical for studying or referencing. When it comes to accessing Selcom 3201 Hydra Arm Manual books and manuals, several platforms offer an extensive collection of resources. One such platform is Project Gutenberg, a nonprofit organization that provides over 60,000 free eBooks. These books are primarily in the public domain, meaning they can be freely distributed and downloaded. Project Gutenberg offers a wide range of classic literature, making it an excellent resource for literature enthusiasts. Another popular platform for Selcom 3201 Hydra Arm Manual books and manuals is Open Library. Open Library is an initiative of the Internet Archive, a non-profit organization dedicated to digitizing cultural artifacts and making them

accessible to the public. Open Library hosts millions of books, including both public domain works and contemporary titles. It also allows users to borrow digital copies of certain books for a limited period, similar to a library lending system. Additionally, many universities and educational institutions have their own digital libraries that provide free access to PDF books and manuals. These libraries often offer academic texts, research papers, and technical manuals, making them invaluable resources for students and researchers. Some notable examples include MIT OpenCourseWare, which offers free access to course materials from the Massachusetts Institute of Technology, and the Digital Public Library of America, which provides a vast collection of digitized books and historical documents. In conclusion, Selcom 3201 Hydra Arm Manual books and manuals for download have transformed the way we access information. They provide a cost-effective and convenient means of acquiring knowledge, offering the ability to access a vast library of resources at our fingertips. With platforms like Project Gutenberg, Open Library, and various digital libraries offered by educational institutions, we have access to an ever-expanding collection of books and manuals. Whether for educational, professional, or personal purposes, these digital resources serve as valuable tools for continuous learning and self-improvement. So why not take advantage of the vast world of Selcom 3201 Hydra Arm Manual books and manuals for download and embark on your journey of knowledge?

FAQs About Selcom 3201 Hydra Arm Manual Books

1. Where can I buy Selcom 3201 Hydra Arm Manual books? Bookstores: Physical bookstores like Barnes & Noble, Waterstones, and independent local stores. Online Retailers: Amazon, Book Depository, and various online bookstores offer a wide range of books in physical and digital formats.
2. What are the different book formats available? Hardcover: Sturdy and durable, usually more expensive. Paperback: Cheaper, lighter, and more portable than hardcovers. E-books: Digital books available for e-readers like Kindle or software like Apple Books, Kindle, and Google Play Books.
3. How do I choose a Selcom 3201 Hydra Arm Manual book to read? Genres: Consider the genre you enjoy (fiction, non-fiction, mystery, sci-fi, etc.). Recommendations: Ask friends, join book clubs, or explore online reviews and recommendations. Author: If you like a particular author, you might enjoy more of their work.
4. How do I take care of Selcom 3201 Hydra Arm Manual books? Storage: Keep them away from direct sunlight and in a dry environment. Handling: Avoid folding pages, use bookmarks, and handle them with clean hands. Cleaning: Gently dust the covers and pages occasionally.
5. Can I borrow books without buying them? Public Libraries: Local libraries offer a wide range of books for borrowing.

- Book Swaps: Community book exchanges or online platforms where people exchange books.
6. How can I track my reading progress or manage my book collection? Book Tracking Apps: Goodreads, LibraryThing, and Book Catalogue are popular apps for tracking your reading progress and managing book collections. Spreadsheets: You can create your own spreadsheet to track books read, ratings, and other details.
 7. What are Selcom 3201 Hydra Arm Manual audiobooks, and where can I find them? Audiobooks: Audio recordings of books, perfect for listening while commuting or multitasking. Platforms: Audible, LibriVox, and Google Play Books offer a wide selection of audiobooks.
 8. How do I support authors or the book industry? Buy Books: Purchase books from authors or independent bookstores. Reviews: Leave reviews on platforms like Goodreads or Amazon. Promotion: Share your favorite books on social media or recommend them to friends.
 9. Are there book clubs or reading communities I can join? Local Clubs: Check for local book clubs in libraries or community centers. Online Communities: Platforms like Goodreads have virtual book clubs and discussion groups.
 10. Can I read Selcom 3201 Hydra Arm Manual books for free? Public Domain Books: Many classic books are available for free as they're in the public domain. Free E-books: Some websites offer free e-books legally, like Project Gutenberg or Open Library.

Find Selcom 3201 Hydra Arm Manual :

[repair manual yamaha ttr 2009](#)

[repair manual kenwood vr 5900 audio surround receiver](#)

repegraveres pour mieux travailler de chez soi

repair manual of toyota premio f

repair manual howse 10 ft rotary mower

[repair manual for hyundai tiburon](#)

repairing ibm thinkpad t41 motherboard

[repair manual lumix dmc tz3](#)

[repair service manual 2007](#)

[repair manual mitsubishi eclipse 1997](#)

repair manual for setra coach

[repair manual yamaha yz 1995](#)

repair manual for honda propane gx620 engine

report a crime anonymously in oklahoma city

repair manual mitsubishi fto 1996

Selcom 3201 Hydra Arm Manual :

ab heute fur immer german edition old vulkk - Jul 06 2022

web für immer ab jetzt english forever from now is the third studio album by the german singer songwriter johannes oerding it was released by columbia records on january

ab heute fur immer german edition pdf stage gapinc - Oct 09 2022

web reihenfolge der bücher spielt also keine maßgebliche rolle dennoch kann der roman Überall für immer spoiler zu band 1 enthalten 1 ab heute für immer kate jaxon

ab heute für immer german edition kindle edition amazon in - Aug 19 2023

web ab heute für immer german edition ebook stankewitz sarah amazon in kindle store

ab heute für immer albumversion song and lyrics by spotify - Aug 07 2022

web conversation in german can earn you a lot of praise and really set you apart from the rest of the crowd inside this book you can discover 11 german stories for beginners 12

amazon co uk customer reviews ab heute für immer german - May 16 2023

web amazon in buy ab heute für immer german edition book online at best prices in india on amazon in read ab heute für immer german edition book reviews author

ab heute für immer german edition paperback amazon - Sep 20 2023

web hello sign in account lists returns orders cart

für immer ab jetzt wikipedia - Jun 05 2022

web viele übersetzte beispielsätze mit ab jetzt immer englisch deutsch wörterbuch und suchmaschine für millionen von englisch Übersetzungen

ab heute fur immer german edition uniport edu - Mar 02 2022

web jul 22 2016 ab heute für immer german edition stankewitz sarah on amazon com free shipping on qualifying offers ab heute für immer german

ab heute für immer by amazon ae - Dec 11 2022

web ab heute fur immer german edition 3 3 with 3 difficulty levels beginner intermediate and advanced this offers you the chance to develop your german speaking skills to

ab heute fur immer german edition stage gapinc - Nov 10 2022

web ab heute fur immer german edition pressebericht folk song germany das deutsche soldatenlied im felde von j meier die schilderung der natur im deutschen minnesang

ab heute für immer german edition amazon com au - Jul 18 2023

web ab heute für immer german edition stankewitz sarah amazon com au books skip to main content com au delivering to sydney 1171 to change sign in or enter a

ab heute für immer albumversion youtube - Apr 03 2022

web may 6 2023 ab heute fur immer german edition 2 6 downloaded from uniport edu ng on may 6 2023 by guest step the main misión of this book is to explain the german

ab heute für immer german edition kindle edition - Oct 21 2023

web jul 30 2016 ab heute für immer german edition kindle edition by stankewitz sarah download it once and read it on your kindle device pc phones or tablets use

ab heute für immer german edition kindle edition - Feb 13 2023

web jul 30 2016 ab heute für immer german edition kindle edition by stankewitz sarah download it once and read it on your kindle device pc phones or tablets use

ab heute für immer german edition paperback 22 july 2016 - Apr 15 2023

web ab heute für immer german edition ebook stankewitz sarah amazon com au kindle store

ab jetzt immer englisch Übersetzung linguae wörterbuch - May 04 2022

web provided to youtube by rebeat digital gmbhab heute für immer albumversion angelika martingoldene zeiten 2012 manusreleased on 2012 10 30composer joan

ab heute für immer german edition kindle edition - Mar 14 2023

web jul 30 2016 ab heute für immer german edition ebook stankewitz sarah amazon co uk kindle store

ab heute fur immer german edition uniport edu - Dec 31 2021

ab heute für immer german edition kindle - Jan 12 2023

web buy ab heute für immer by online on amazon ae at best prices fast and free shipping free returns cash on delivery available on eligible purchase

ab heute für immer german edition by sarah stankewitz - Sep 08 2022

web angelika martin song 2012

ab heute für immer german edition paperback july 22 2016 - Feb 01 2022

web feb 24 2023 ab heute für immer german edition 2 5 downloaded from uniport edu ng on february 24 2023 by guest
william faulkner s later novels in german eberhard

[ab heute für immer lovelybooks](#) - Jun 17 2023

web find helpful customer reviews and review ratings for ab heute für immer german edition at amazon com read honest and unbiased product reviews from our users

all sister kahani skillience com - Jan 07 2023

web all sister kahani thank you very much for reading all sister kahani as you may know people have look hundreds times for their favorite books like this all sister kahani but

all sister kahani ftp adaircountymissouri com - Aug 02 2022

web all sister kahani 3 3 drawing on her extensive knowledge of fairy tale history campbell s stories undo the censoring gender stereotyping and twee endings of more modern

[kali aur gori bahne kaali sister gori sister hindi kahaniya](#) - Oct 04 2022

web may 30 2021 kali aur gori bahne kaali sister gori sister hindi kahaniya hindi moral stories 2021 poloo tv hindi stories 41 5k subscribers subscribe 803k views 2

a sister s all you need episode 1 in hindi explain youtube - Nov 24 2021

web may 8 2022 copyright disclaimer under section 107 of the copyright act 1976 allowance is made for fair use for purposes such as criticism comment news reporting t

[stories in hindi brother and sister ikhlaqi kahani youtube](#) - May 11 2023

web nov 13 2020 stories in hindi brother and sister ikhlaqi kahani sabaq amoz kahani kahaniya presents by khan brothers studio words can change the world khan bro

all sister kahani wrbb neu - Dec 06 2022

web all sister kahani is available in our book collection an online access to it is set as public so you can get it instantly our digital library hosts in multiple locations allowing you to get

all sister kahani pdf traditionalcatholicpriest - Mar 29 2022

web apr 2 2023 all sister kahani pdf vla ramtech web all sister kahani pdf is friendly in our digital library an online right of entry to it is set as public thus you can download it

all sister kahani banking finance gov - Nov 05 2022

web 2 all sister kahani 2020 07 03 all sister kahani downloaded from banking finance gov ie by guest beard vanessa murder must advertise a detective story europa editions

[khan sisters episode 1 part 01 dailymotion video](#) - Oct 24 2021

web all sister kahani is universally compatible bearing in mind any devices to read in mozart s shadow carolyn meyer 2008 the acclaimed author of mary bloody mary has penned

all sister kahani ol wise edu - May 31 2022

web one of the favored book all sister kahani collections that we have this is why you remain in the best website to look the amazing book to have all sister kahani downloaded

□□□□□□ □□□ □□□ □□□□□□□ □□□□□ 1 □□□□□□ 24 □□□□□□ □□□□□ □□□□□□ - Apr 29 2022

web mar 25 2019 □□□□□□ □□□ □□□ □□□□□□□ □□□□□ 2 □□□□□ □□□□□□□ 34 □□□□□□ □□□□□ □□□□□

all sister kahani wrbb neu edu - Jul 01 2022

web all sister kahani 3 3 consume are creating an environmental crisis aja barber wants to change this and you can too in consumed barber calls for change within an industry

a moroccan brother and sister see if their ancestral home npr - Sep 22 2021

web 2 days ago listen 3 553 minute listenplaylist download embed a brother and sister return to their hometown in the mountains of morocco to see all that s lost after the

desikahaniya in hindi sex story audio □ □ - Mar 09 2023

web redirecting to desikahaniya in

all sister kahani wrbb neu - Sep 03 2022

web all sister kahani right here we have countless book all sister kahani and collections to check out we additionally allow variant types and next type of the books to browse

finding the epicenter chandler unified school district - Sep 16 2023

web 1 review the data table showing differences in earthquake arrival times 2 the graph shows how the difference in arrival times between p waves and s waves depends on the distance from the epicenter of the earthquake find the difference in arrival time for denver on the y axis of the graph

pdf earthquakes skills lab finding the epicenter answers - Feb 09 2023

web earthquakes skills lab finding the epicenter answers laboratory manual for introductory geology aug 03 2021 developed by three experts to coincide with geology lab kits this laboratory manual provides a clear and cohesive introduction to the field of geology introductory geology is designed to ease new students into the often complex

finding the epicenter skills lab answers pearson julia s - Aug 03 2022

web download any of our books following this one merely said the finding the epicenter skills lab answers pearson is universally compatible next any devices to read wildlife in a changing world jean christophe vié 2009 wildlife in a changing world presents an analysis of the 2008 iucn red list of threatened species beginning with an

[finding the epicenter lab mrs smit s science class](#) - Apr 11 2023

web waves depends on the distance from the epicenter of the earthquake a find the difference in arrival time for denver on the y axis of the graph b follow this line across to the point at which it crosses the curve c to find the distance to the epicenter read down from this point to the x axis of the graph d enter this distance in the

[finding the epicenter lab answers orientation sutd edu sg](#) - Dec 07 2022

web fandom powered by wikia earth science regents new york science teacher finding the epicenter lab answers kleru26 de dictionary com s list of every word of the year finding the epicenter skills lab answers pearson finding an epicenter skills practice lab answers finding epicenter lab answers cyteen de finding the

finding the epicenter skills lab answers pearson pdf uniport edu - Jul 02 2022

web jul 5 2023 finding the epicenter skills lab answers pearson 2 11 downloaded from uniport edu ng on july 5 2023 by guest promoting development despite their importance tropical forests and their ecosystems are being destroyed at a high and even increasing rate in most forest rich countries the good

finding the epicenter skills lab answers pearson - Oct 05 2022

web may 5th 2018 document read online finding the epicenter skills lab answers pearson finding the epicenter skills lab answers pearson in this site is not the same as a answer calendar you basd net may 7th 2018

[finding the epicenter skills lab answers pearson](#) - Mar 10 2023

web finding the epicenter skills lab answers pearson ebooks finding the epicenter skills lab answers pearson is available on pdf epub and doc format read and download finding the epicenter skills lab answers pearson free ebooks in pdf format the finding finding pride how to change the way you think

epicenter lab chucklumio com - Jun 01 2022

web we would like to show you a description here but the site won t allow us

finding the epicenter skills lab answers pearson uniport edu - Apr 30 2022

web apr 1 2023 yeah reviewing a ebook finding the epicenter skills lab answers pearson could build up your near contacts listings this is just one of the solutions for you to be successful

[finding the epicenter worksheet earthquakes earthquakes and](#) - Jul 14 2023

web finding the epicenter problem how can you locate an earthquake s epicenter skills focus interpreting data drawing conclusions materials drawing compass with pencil outline map of the united states procedure review the safety guidelines in appendix a review the data table showing differences in earthquake arrival times

finding the epicenter skills lab answers pearson copy - Mar 30 2022

web aug 24 2023 start gettin