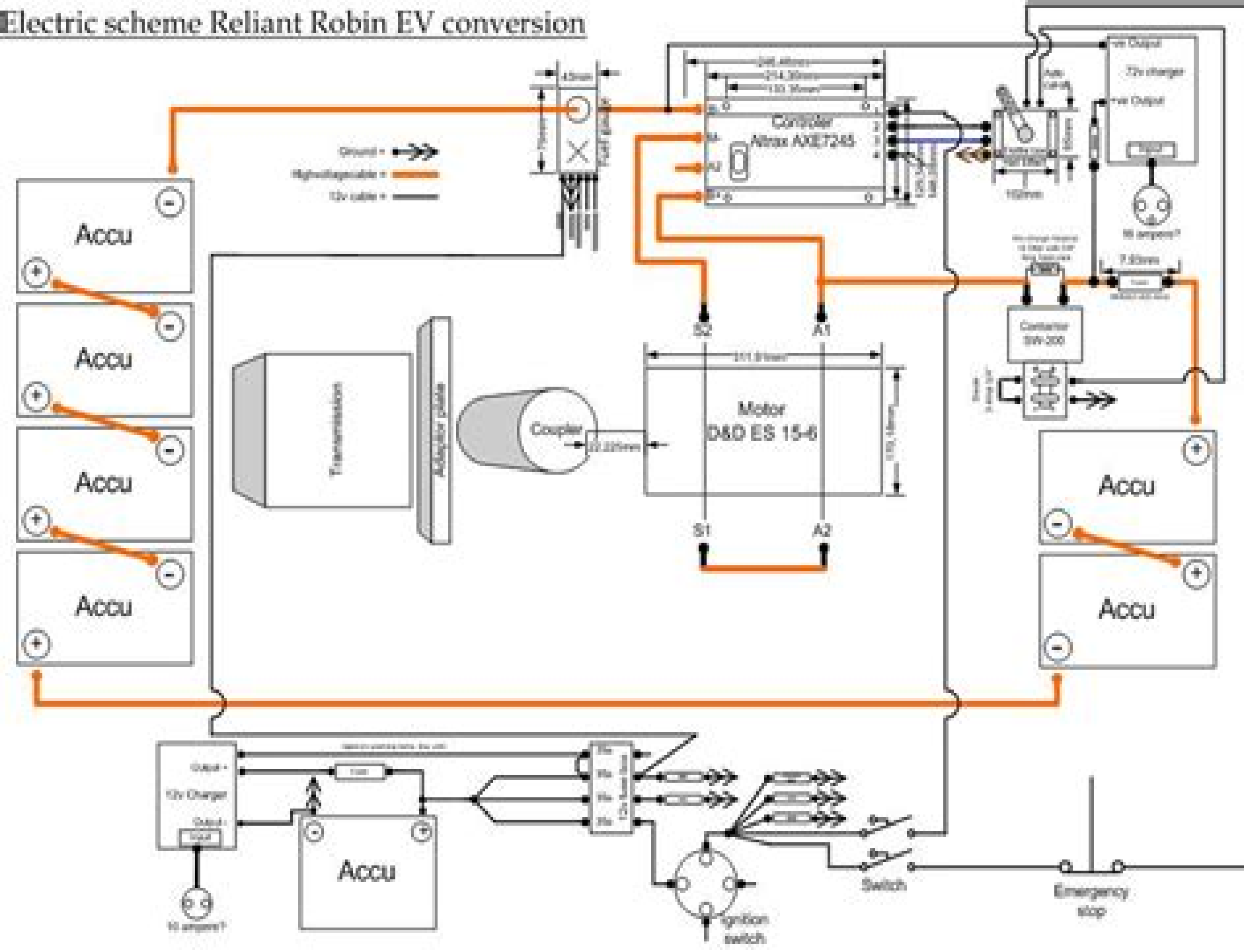


Electric scheme Reliant Robin EV conversion



Robin Reliant Cooling Diagram

Robert R. Redfield



Robin Reliant Cooling Diagram:

Fuel your quest for knowledge with this thought-provoking masterpiece, **Robin Reliant Cooling Diagram**. This educational ebook, conveniently sized in PDF (*), is a gateway to personal growth and intellectual stimulation. Immerse yourself in the enriching content curated to cater to every eager mind. Download now and embark on a learning journey that promises to expand your horizons. .

https://crm.avenza.com/About/book-search/Download_PDFS/nissan%20sentra%202006%202007%20factory%20workshop%20repair%20manual.pdf

Table of Contents Robin Reliant Cooling Diagram

1. Understanding the eBook Robin Reliant Cooling Diagram
 - The Rise of Digital Reading Robin Reliant Cooling Diagram
 - Advantages of eBooks Over Traditional Books
2. Identifying Robin Reliant Cooling Diagram
 - Exploring Different Genres
 - Considering Fiction vs. Non-Fiction
 - Determining Your Reading Goals
3. Choosing the Right eBook Platform
 - Popular eBook Platforms
 - Features to Look for in an Robin Reliant Cooling Diagram
 - User-Friendly Interface
4. Exploring eBook Recommendations from Robin Reliant Cooling Diagram
 - Personalized Recommendations
 - Robin Reliant Cooling Diagram User Reviews and Ratings
 - Robin Reliant Cooling Diagram and Bestseller Lists
5. Accessing Robin Reliant Cooling Diagram Free and Paid eBooks
 - Robin Reliant Cooling Diagram Public Domain eBooks
 - Robin Reliant Cooling Diagram eBook Subscription Services

- Robin Reliant Cooling Diagram Budget-Friendly Options
- 6. Navigating Robin Reliant Cooling Diagram eBook Formats
 - ePub, PDF, MOBI, and More
 - Robin Reliant Cooling Diagram Compatibility with Devices
 - Robin Reliant Cooling Diagram Enhanced eBook Features
- 7. Enhancing Your Reading Experience
 - Adjustable Fonts and Text Sizes of Robin Reliant Cooling Diagram
 - Highlighting and Note-Taking Robin Reliant Cooling Diagram
 - Interactive Elements Robin Reliant Cooling Diagram
- 8. Staying Engaged with Robin Reliant Cooling Diagram
 - Joining Online Reading Communities
 - Participating in Virtual Book Clubs
 - Following Authors and Publishers Robin Reliant Cooling Diagram
- 9. Balancing eBooks and Physical Books Robin Reliant Cooling Diagram
 - Benefits of a Digital Library
 - Creating a Diverse Reading Collection Robin Reliant Cooling Diagram
- 10. Overcoming Reading Challenges
 - Dealing with Digital Eye Strain
 - Minimizing Distractions
 - Managing Screen Time
- 11. Cultivating a Reading Routine Robin Reliant Cooling Diagram
 - Setting Reading Goals Robin Reliant Cooling Diagram
 - Carving Out Dedicated Reading Time
- 12. Sourcing Reliable Information of Robin Reliant Cooling Diagram
 - Fact-Checking eBook Content of Robin Reliant Cooling Diagram
 - Distinguishing Credible Sources
- 13. Promoting Lifelong Learning
 - Utilizing eBooks for Skill Development
 - Exploring Educational eBooks
- 14. Embracing eBook Trends

- Integration of Multimedia Elements
- Interactive and Gamified eBooks

Robin Reliant Cooling Diagram Introduction

Free PDF Books and Manuals for Download: Unlocking Knowledge at Your Fingertips In today's fast-paced digital age, obtaining valuable knowledge has become easier than ever. Thanks to the internet, a vast array of books and manuals are now available for free download in PDF format. Whether you are a student, professional, or simply an avid reader, this treasure trove of downloadable resources offers a wealth of information, conveniently accessible anytime, anywhere. The advent of online libraries and platforms dedicated to sharing knowledge has revolutionized the way we consume information. No longer confined to physical libraries or bookstores, readers can now access an extensive collection of digital books and manuals with just a few clicks. These resources, available in PDF, Microsoft Word, and PowerPoint formats, cater to a wide range of interests, including literature, technology, science, history, and much more. One notable platform where you can explore and download free Robin Reliant Cooling Diagram PDF books and manuals is the internet's largest free library. Hosted online, this catalog compiles a vast assortment of documents, making it a veritable goldmine of knowledge. With its easy-to-use website interface and customizable PDF generator, this platform offers a user-friendly experience, allowing individuals to effortlessly navigate and access the information they seek. The availability of free PDF books and manuals on this platform demonstrates its commitment to democratizing education and empowering individuals with the tools needed to succeed in their chosen fields. It allows anyone, regardless of their background or financial limitations, to expand their horizons and gain insights from experts in various disciplines. One of the most significant advantages of downloading PDF books and manuals lies in their portability. Unlike physical copies, digital books can be stored and carried on a single device, such as a tablet or smartphone, saving valuable space and weight. This convenience makes it possible for readers to have their entire library at their fingertips, whether they are commuting, traveling, or simply enjoying a lazy afternoon at home. Additionally, digital files are easily searchable, enabling readers to locate specific information within seconds. With a few keystrokes, users can search for keywords, topics, or phrases, making research and finding relevant information a breeze. This efficiency saves time and effort, streamlining the learning process and allowing individuals to focus on extracting the information they need. Furthermore, the availability of free PDF books and manuals fosters a culture of continuous learning. By removing financial barriers, more people can access educational resources and pursue lifelong learning, contributing to personal growth and professional development. This democratization of knowledge promotes intellectual curiosity and empowers individuals to become lifelong learners, promoting progress and innovation in various fields. It is worth noting that while accessing free Robin Reliant Cooling Diagram PDF books and manuals is convenient and cost-effective, it is vital to

respect copyright laws and intellectual property rights. Platforms offering free downloads often operate within legal boundaries, ensuring that the materials they provide are either in the public domain or authorized for distribution. By adhering to copyright laws, users can enjoy the benefits of free access to knowledge while supporting the authors and publishers who make these resources available. In conclusion, the availability of Robin Reliant Cooling Diagram free PDF books and manuals for download has revolutionized the way we access and consume knowledge. With just a few clicks, individuals can explore a vast collection of resources across different disciplines, all free of charge. This accessibility empowers individuals to become lifelong learners, contributing to personal growth, professional development, and the advancement of society as a whole. So why not unlock a world of knowledge today? Start exploring the vast sea of free PDF books and manuals waiting to be discovered right at your fingertips.

FAQs About Robin Reliant Cooling Diagram Books

How do I know which eBook platform is the best for me? Finding the best eBook platform depends on your reading preferences and device compatibility. Research different platforms, read user reviews, and explore their features before making a choice. Are free eBooks of good quality? Yes, many reputable platforms offer high-quality free eBooks, including classics and public domain works. However, make sure to verify the source to ensure the eBook credibility. Can I read eBooks without an eReader? Absolutely! Most eBook platforms offer webbased readers or mobile apps that allow you to read eBooks on your computer, tablet, or smartphone. How do I avoid digital eye strain while reading eBooks? To prevent digital eye strain, take regular breaks, adjust the font size and background color, and ensure proper lighting while reading eBooks. What the advantage of interactive eBooks? Interactive eBooks incorporate multimedia elements, quizzes, and activities, enhancing the reader engagement and providing a more immersive learning experience. Robin Reliant Cooling Diagram is one of the best book in our library for free trial. We provide copy of Robin Reliant Cooling Diagram in digital format, so the resources that you find are reliable. There are also many Ebooks of related with Robin Reliant Cooling Diagram. Where to download Robin Reliant Cooling Diagram online for free? Are you looking for Robin Reliant Cooling Diagram PDF? This is definitely going to save you time and cash in something you should think about. If you trying to find then search around for online. Without a doubt there are numerous these available and many of them have the freedom. However without doubt you receive whatever you purchase. An alternate way to get ideas is always to check another Robin Reliant Cooling Diagram. This method for see exactly what may be included and adopt these ideas to your book. This site will almost certainly help you save time and effort, money and stress. If you are looking for free books then you really should consider finding to assist you try this. Several of Robin Reliant Cooling Diagram are for sale to free while some are payable. If you arent sure if the books you

would like to download works with for usage along with your computer, it is possible to download free trials. The free guides make it easy for someone to free access online library for download books to your device. You can get free download on free trial for lots of books categories. Our library is the biggest of these that have literally hundreds of thousands of different products categories represented. You will also see that there are specific sites catered to different product types or categories, brands or niches related with Robin Reliant Cooling Diagram. So depending on what exactly you are searching, you will be able to choose e books to suit your own need. Need to access completely for Campbell Biology Seventh Edition book? Access Ebook without any digging. And by having access to our ebook online or by storing it on your computer, you have convenient answers with Robin Reliant Cooling Diagram To get started finding Robin Reliant Cooling Diagram, you are right to find our website which has a comprehensive collection of books online. Our library is the biggest of these that have literally hundreds of thousands of different products represented. You will also see that there are specific sites catered to different categories or niches related with Robin Reliant Cooling Diagram So depending on what exactly you are searching, you will be able to choose ebook to suit your own need. Thank you for reading Robin Reliant Cooling Diagram. Maybe you have knowledge that, people have search numerous times for their favorite readings like this Robin Reliant Cooling Diagram, but end up in harmful downloads. Rather than reading a good book with a cup of coffee in the afternoon, instead they juggled with some harmful bugs inside their laptop. Robin Reliant Cooling Diagram is available in our book collection an online access to it is set as public so you can download it instantly. Our digital library spans in multiple locations, allowing you to get the most less latency time to download any of our books like this one. Merely said, Robin Reliant Cooling Diagram is universally compatible with any devices to read.

Find Robin Reliant Cooling Diagram :

~~nissan sentra 2006 2007 factory workshop repair manual~~

nissan micra k11 repair manual

~~nissan pathfinder 2005 service manual repair manual~~

nissan pathfinder 2007 owners manual

~~nissan murano complete workshop repair manual 2007 onward~~

nissan rogue with manual transmission

nissan pulsar n14 1990 1995 ga16de sr20de service manual

~~nissan sentra 2001 parts diagram~~

nissan pathfinder 1995 workshop service repair manual

nissan pathfinder repair manual panel

[nissan micra k12 owners manual](#)

[nissan maxima j31 workshop manual](#)

nissan na20 engine manual

nissan murano manual 2005

nissan primastar service repair manual 01 07

Robin Reliant Cooling Diagram :

[billiards and snooker teach yourself books richard holt](#) - Mar 27 2022

web billiards and snooker teach yourself books richard holt using data to support every learner from classroom to career open education analytics oea is an open source community coordinated by microsoft education

coaching skills the snooker gym - Nov 03 2022

web the entire snooker coaching skills package including lifetime access is priced at 1495 if you do not feel that the time the product saves you in finding its solutions yourself and the benefits to your game from using this product are not 10 times 1 000 more than the value of your investment in buying using it then please return

snooker aiming practice trick youtube - Jan 05 2023

web apr 6 2019 snooker aiming practice method guide aim in snooker training and techniques this tutorial gives tips for a snooker aiming system that lets you align all shots break from life guide with this

[billiards and snooker teach yourself richard holt](#) - Feb 23 2022

web mar 4 2022 billiards and snooker teach yourself richard holt ethics is an end to end process it starts with policymaking then decision making then design of software then design of what data to use then training algorithms then how

snooker teach yourself amazon com - Apr 27 2022

web jan 1 1990 snooker teach yourself spencer john on amazon com free shipping on qualifying offers snooker teach yourself

[snooker teach yourself paperback 1992 biblio](#) - May 29 2022

web find the best prices on snooker teach yourself by spencer john at biblio paperback 1992 teach yourself books 9780340393666 this website uses cookies we value your privacy and use cookies to remember your shopping preferences and to analyze our website traffic

how to play snooker the basic principles of the game - Jul 11 2023

web by robertmcgee in in depth 0 0 0 in this little article we will go through the very basics of how to play snooker and just a few basic rules to get you started playing a snooker table is 12 feet by 6 feet in size has 6 pockets and the game is usually

played by 2 people sometimes 4 people can play and this is known as a game of doubles
[the rules of snooker explained youtube](#) - Dec 04 2022

web may 29 2015 ninth ly 167k subscribers 1 5m views 8 years ago rules of sports explained ninth explains the rules of snooker a popular cue sports table game from england this is a beginner s explanation

3 ways to play snooker wikihow - May 09 2023

web may 2 2023 snooker requires considerable precision and concentration and the complexity of its rules makes it harder to master than other forms of billiards like pool once you get the hang of it however snooker plays much like other beloved billiards games and is a fun way to challenge your sense of spatial awareness and control

[snooker coaching at the snooker gym youtube](#) - Feb 06 2023

web snooker coaching at the snooker gym thesnookergym 26 7k subscribers 357 videos snooker coaching lessons is for players who want to unlock the mysteries of the snooker learn it in the right way

[1 2 3 s of snooker online version snooker basics the snooker](#) - Mar 07 2023

web learn snooker techniques in a 60 minute videos with this official ibsf coaching online learning learn cueing skills aiming straight angled pots side spin eye movements cue ball control safety break building long cushion swerve shots plants snooker escapes rest play psychology

teach yourself billiards and snooker a teach yourself book by - Sep 01 2022

web feb 13 2021 criminology a complete introduction teach yourself 12 99 from foyles for books the masterclass for the faster pass written by a leading expert and practising university teacher this book gives you more politics a complete introduction teach yourself 14 99 from foyles for books

6 snooker cueing tips cue action tricks to improve straight - Aug 12 2023

web dec 15 2019 how to win more snooker games get a free 20 min coaching session with vilis snookerproclub minisite ai freecallif you like our content and you

5 simple tips to improve your snooker game today - Apr 08 2023

web apr 24 2023 snooker teach yourself explains rules of snooker spencer john author english publication language 09 29 1990 publication date teach yourself books publisher focus on your stance and body positioning one of the most important aspects of snooker is your stance and body positioning

[how to play snooker lesson 1 snooker org](#) - Jun 10 2023

web how to play snooker by richard fountain lesson 1 the basics you want to play the great game of snooker but don t know how it is easier than you think well to get started that is but how good you become relies on many things

billiards and snooker teach yourself richard holt - Jan 25 2022

web apr 8 2022 billiards and snooker teach yourself richard holt a p mukerji data project manager oversee use case definition and operationalize responsible ai and data governance 138 books 14 voters

[snooker training the basics coaching lesson youtube](#) - Sep 13 2023

web sep 17 2018 snooker training the basics coaching lesson bartonsnooker 109k subscribers 321k views 5 years ago stance setup barton snooker in this video i cover some important aspects of getting the

snooker teach yourself spencer john 9780340393666 - Jul 31 2022

web abebooks com snooker teach yourself 9780340393666 by spencer john and a great selection of similar new used and collectible books available now at great prices

[online snooker lessons ipassio](#) - Oct 02 2022

web learn snooker online from top snooker players on ipassio com get best online snooker lessons while sitting at home try these snooker courses today

snooker teach yourself paperback 1 oct 1993 amazon co uk - Jun 29 2022

web buy snooker teach yourself by spencer john everton clive isbn 9780844239408 from amazon s book store everyday low prices and free delivery on eligible orders snooker teach yourself amazon co uk spencer

11 09 10 ntg 1102 part 2 georgia public broadcasting - May 20 2023

web note taking guide program 1102 part 2 reflection ex incident waves when a wave goes into another medium that is very similar to the old most little of the energy

[answers to 1102 note taking guide download only](#) - May 08 2022

web answers to 1102 note taking guide right here we have countless book answers to 1102 note taking guide and collections to check out we additionally find the money for

answers to 1102 note taking guide pdf pdf dev medlink com - Nov 14 2022

web answers to 1102 note taking guide pdf this is likewise one of the factors by obtaining the soft documents of this answers to 1102 note taking guide pdf by online

[chemistry 1102 indicators and the ph scale georgia public](#) - Mar 18 2023

web before viewing an episode download and print the note taking guides worksheets and lab data sheets for that episode keeping the printed sheets in order by page number

[note taking guide episode 1102 answer copy uniport edu](#) - Oct 13 2022

web may 2 2023 merely said the note taking guide episode 1102 answer is universally compatible subsequently any devices to read comptia a 220 901 and 220 902

answers to 1102 note taking guide pdf wiki lwn - Jun 21 2023

web the third season to air on the cw webnote taking guide episode 1102 answer key epls fsu edu web note taking guide episode 1102 answer key 1 1 downloaded from epls fsu edu

answers to 1102 note taking guide copy uniport edu - Sep 12 2022

web may 13 2023 answers to 1102 note taking guide is available in our digital library an online access to it is set as public so you can download it instantly our digital library

physics 1102 note taking guide pdf note taking guide - Aug 23 2023

web 1 a distance of 0 33 m separates a wave crest from the adjacent trough and vertical distance from the top of a crest to the bottom of a trough is 0 24m calculate a 0 66m

answers to 1102 note taking guide 2022 neurocme med ucla - Nov 02 2021

web it will completely ease you to see guide answers to 1102 note taking guide as you such as by searching the title publisher or authors of guide you essentially want you can

note taking guide episode 1102 answer pdf uniport edu - Jul 10 2022

web jun 1 2023 this info get the note taking guide episode 1102 answer link that we pay for here and check out the link you could purchase guide note taking guide episode 1102

2 sınıf hayat bilgisi Çalışma kitabı sayfa 110 cevapları - Jan 04 2022

web aşağıdaki papatyanın yapraklarına atatürk ün gittiği okulları yazınız cevap 2 sınıf hayat bilgisi Çalışma kitabı meb yayınları sayfa 110 cevabı ile ilgili aşağıda bulunan emojiileri

answers to 1102 note taking guide book - Feb 17 2023

web answers to 1102 note taking guide is manageable in our digital library an online right of entry to it is set as public suitably you can download it instantly our digital library saves

note taking guide episode 402 answers pdf course hero - Aug 11 2022

web note taking guide episode 402 answers recognizing the pretension ways to acquire this books note taking guide episode 402 answers is additionally useful you have

11 07 ntg 1102 part 1 georgia public broadcasting - Jul 22 2023

web note taking guide episode 1102 part 1 physicsfundamentals 2004 gpb 10 07 period frequency problem set 1 1 3 wave property definition symbol unit affected

answers to 1102 note taking guide pdf evmap ngen - Jan 16 2023

web 1102 note taking guide download answers to 1102 note taking guide free download answers to 1102 note taking guide answers to 1102 note taking guide pdf

answers to 1102 note taking guide download only - Mar 06 2022

web 2 answers to 1102 note taking guide 2022 10 14 code of civil procedure kluwer law international b v federal rules of civil procedure notes on the statutes of

word card level 1102 answers all 12 000 levels updated 2023 - Dec 03 2021

web different from the crossword word search scrabble wit puzzle we bring you an unexpected game experience with creative thinking and classic word puzzle in this game you have

answers to 1102 note taking guide ce national nurses united - Apr 07 2022

web answers to 1102 note taking guide federal supplement the codes and statutes of california as amended and in force at the close of the twenty sixth session of the

note taking guide episode 1102 answers download only - Jun 09 2022

web note taking guide episode 1102 answers downloaded from app lutify me by guest kaufman hurley the power bloomsbury publishing usa there s nothing wrong with

get the free note taking guide 1102 answers form pdf filler - Apr 19 2023

web fill note taking guide 1102 answers edit online sign fax and printable from pc ipad tablet or mobile with pdf filler instantly try now

note taking guide episode 1102 chemistry a study of matter - Sep 24 2023

web conclusion questions answer litmus turns in an acid and in a base red no change phenolphthalein phth turns in an acid and in a base

note taking guide episode 1102 answer key pdf uniport edu - Dec 15 2022

web may 8 2023 note taking guide episode 1102 answer key 1 11 downloaded from uniport edu ng on may 8 2023 by guest note taking guide episode 1102 answer key

answers to 1102 note taking guide uniport edu - Feb 05 2022

web may 28 2023 webjune 27th 2018 answers to 1102 note taking guide pdf get free access to pdf ebook answers to 1102 note taking guide at our ebook library

kisumu polytechnic 2023 2024 intakes application form - Apr 22 2022

web here you can get access to the kisumu polytechnic online application form for kenyans international applicants the management of the kisumu polytechnic

kisumu polytechnic online application 2023 - Feb 01 2023

web kisumu polytechnic online application form 2023 2024 there are various courses available at the kisumu polytechnic kp for admission you can download the

downloads the kisumu national polytechnic - Mar 02 2023

web the kisumu polytechnic kisumu poly intakes application form 2024 2025 applications are invited from qualified candidates wishing to pursue the following

kisumu polytechnic application form 2023 kenya admission - Jul 06 2023

web submit your application recommended courses scm 100 certificate in supply chain management 2 years view more mw 500 certificate in metal

kisumu polytechnic application form for january - Jun 05 2023

web iso 9001 2015 certified the kisumu national polytechnic portal e learning welcome to the kisumu national polytechnic to provide high quality technical vocational

kisumu polytechnic application form 2023 2024 apply online - Jun 24 2022

web nov 16 2022 kisumu polytechnic 2023 2024 intakes application form applications are invited from suitably qualified government sponsored kuccps or self private

kisumu national polytechnic application form 2023 2024 - Jan 20 2022

web the kisumu polytechnic kp application form for 2023 2024 is already accessible online at kp.ac.ke all qualified applicants who meet the requirements for kp admission

kisumu polytechnic online application form 2023 2024 - Oct 29 2022

web nov 16 2022 the kisumu national polytechnic online admission application form for august september intake 2023 2024 is open to all qualified undergraduate bachelor s

kisumu polytechnic online application form 2023 2024 - Nov 17 2021

kisumu polytechnic intakes application 2023 2024 apply - Jul 26 2022

web nov 16 2022 the official kisumu polytechnic admission application portal login 2023 2024 has been enabled for easy submission of application forms to study any of

kisumu polytechnic admission portal 2023 kuccps admissions - Dec 19 2021

kisumu national polytechnic online application forms - Sep 08 2023

web kisumu polytechnic application form 2023 kisumu polytechnic application form 2023 kisumu national polytechnic admission form has been made available for

kisumu polytechnic online application form 2023 2024 - Nov 29 2022

web nov 16 2022 the kisumu polytechnic admission application form portal is open to all qualified applicants irrespective of color race ethnic identity religion gender or national

the kisumu national polytechnic industry succeeds - Apr 03 2023

web mar 1 2023 application procedure click here to start the kisumu polytechnic online application paid link ad for a successful online application please ensure you

kisumu polytechnic online application 2023 2024 intake - May 24 2022

web kisumu polytechnic application forms 2022 2023 intakes kisumu polytechnic 2022 2023 intakes admission application form admission requirements courses

online applications portal v2 0 - May 04 2023

web current tenders adverts tender no tknp t 2023 2024 13 supply of fuel petrol diesel and lpg gas expired tenders adverts open opportunities and

admission the kisumu national polytechnic - Oct 09 2023

web pay a non refundable application fee of kshs 500 to kcb kisumu branch account number 1103855980 or cooperative bank kisumu branch account number

kisumu polytechnic application form 2023 2024 - Aug 07 2023

web nov 16 2022 the kisumu polytechnic january 2023 2024 intake admission application form pdf download entry requirements courses offered cluster points application

kisumu polytechnic september intake application form 2023 2024 - Aug 27 2022

web the kisumu polytechnic application form 2023 2024 released online kisumu polytechnic admission form for undergraduate and postgraduate has been released for

kisumu polytechnic application forms 2022 2023 intakes - Mar 22 2022

web jan 3 2023 the kisumu national polytechnic application form can be obtained from the admission unit of the institution and it should be completed and returned to back to

kisumu polytechnic online application 2023 2024 intake - Feb 18 2022

web the kisumu polytechnic kisumu poly admission portal 2023 is where all online admission is carried out in the university therefore all applicants that are looking for

kisumu polytechnic intake application form january - Dec 31 2022

web to access the kisumu polytechnic online application form follow the steps below visit the kisumu polytechnic admission portal by clicking here navigate and click the

kisumu polytechnic 2023 2024 intake application form kenyapen - Sep 27 2022

web the management of kisumu polytechnic has officially announce the kisumu polytechnic january april may august september which is ongoing now intake application the

