

Electronic Manual **SEAT** DOWNLOAD

www.downloadworkshopmanuals.com
OFFICIAL WORKSHOP MANUALS
FULL STANDARD ONLINE OFFLINE FUNCTION

As Used By Main Dealer Garages



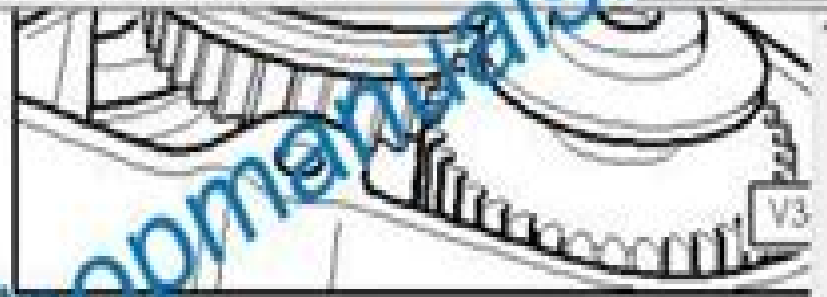
Cordoba



Workshop Manual - Wiring Diagrams - Parts - etc



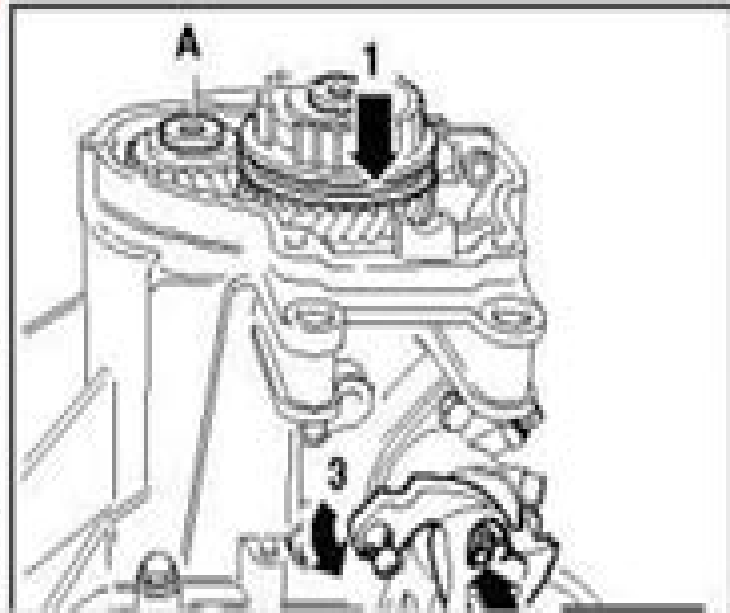
Search item: belt



- 35 Gearbox, mechanics, gears, shafts
- Disassembly and assembly
- Secondary shaft: disassembly
- Reverse gear shaft: disassembly
- 5th gear: Disassembly and assembly
 - 5. Road test
 - 5th Reverse gear: disassembly and install gear
 - Preparation
 - Installation
- Final drive, differential
- Transfer unit.

Before mounting the input shaft on the input mesh hub and the gear wheel, press 5th gear selector sleeve downward - arrow 1- and engage gear. Also shift into 1st gear with shift lever - arrow 2- and -arrow 3-

The input and output shafts remain locked when two gears are engaged: the



Seat Cordoba Tdi 2015 Service Manual

Wenbin Ji



Seat Cordoba Tdi 2015 Service Manual:

Seat Cordoba Tdi 2015 Service Manual Book Review: Unveiling the Magic of Language

In an electronic era where connections and knowledge reign supreme, the enchanting power of language has become more apparent than ever. Its power to stir emotions, provoke thought, and instigate transformation is really remarkable. This extraordinary book, aptly titled "**Seat Cordoba Tdi 2015 Service Manual**," compiled by a very acclaimed author, immerses readers in a captivating exploration of the significance of language and its profound effect on our existence. Throughout this critique, we will delve into the book's central themes, evaluate its unique writing style, and assess its overall influence on its readership.

https://crm.avenza.com/About/detail/Download_PDFS/Seat%20Ibiza%20Parts%20Manual.pdf

Table of Contents Seat Cordoba Tdi 2015 Service Manual

1. Understanding the eBook Seat Cordoba Tdi 2015 Service Manual
 - The Rise of Digital Reading Seat Cordoba Tdi 2015 Service Manual
 - Advantages of eBooks Over Traditional Books
2. Identifying Seat Cordoba Tdi 2015 Service Manual
 - Exploring Different Genres
 - Considering Fiction vs. Non-Fiction
 - Determining Your Reading Goals
3. Choosing the Right eBook Platform
 - Popular eBook Platforms
 - Features to Look for in an Seat Cordoba Tdi 2015 Service Manual
 - User-Friendly Interface
4. Exploring eBook Recommendations from Seat Cordoba Tdi 2015 Service Manual
 - Personalized Recommendations
 - Seat Cordoba Tdi 2015 Service Manual User Reviews and Ratings
 - Seat Cordoba Tdi 2015 Service Manual and Bestseller Lists

5. Accessing Seat Cordoba Tdi 2015 Service Manual Free and Paid eBooks
 - Seat Cordoba Tdi 2015 Service Manual Public Domain eBooks
 - Seat Cordoba Tdi 2015 Service Manual eBook Subscription Services
 - Seat Cordoba Tdi 2015 Service Manual Budget-Friendly Options
6. Navigating Seat Cordoba Tdi 2015 Service Manual eBook Formats
 - ePub, PDF, MOBI, and More
 - Seat Cordoba Tdi 2015 Service Manual Compatibility with Devices
 - Seat Cordoba Tdi 2015 Service Manual Enhanced eBook Features
7. Enhancing Your Reading Experience
 - Adjustable Fonts and Text Sizes of Seat Cordoba Tdi 2015 Service Manual
 - Highlighting and Note-Taking Seat Cordoba Tdi 2015 Service Manual
 - Interactive Elements Seat Cordoba Tdi 2015 Service Manual
8. Staying Engaged with Seat Cordoba Tdi 2015 Service Manual
 - Joining Online Reading Communities
 - Participating in Virtual Book Clubs
 - Following Authors and Publishers Seat Cordoba Tdi 2015 Service Manual
9. Balancing eBooks and Physical Books Seat Cordoba Tdi 2015 Service Manual
 - Benefits of a Digital Library
 - Creating a Diverse Reading Collection Seat Cordoba Tdi 2015 Service Manual
10. Overcoming Reading Challenges
 - Dealing with Digital Eye Strain
 - Minimizing Distractions
 - Managing Screen Time
11. Cultivating a Reading Routine Seat Cordoba Tdi 2015 Service Manual
 - Setting Reading Goals Seat Cordoba Tdi 2015 Service Manual
 - Carving Out Dedicated Reading Time
12. Sourcing Reliable Information of Seat Cordoba Tdi 2015 Service Manual
 - Fact-Checking eBook Content of Seat Cordoba Tdi 2015 Service Manual
 - Distinguishing Credible Sources
13. Promoting Lifelong Learning

- Utilizing eBooks for Skill Development
 - Exploring Educational eBooks
14. Embracing eBook Trends
- Integration of Multimedia Elements
 - Interactive and Gamified eBooks

Seat Cordoba Tdi 2015 Service Manual Introduction

Free PDF Books and Manuals for Download: Unlocking Knowledge at Your Fingertips In today's fast-paced digital age, obtaining valuable knowledge has become easier than ever. Thanks to the internet, a vast array of books and manuals are now available for free download in PDF format. Whether you are a student, professional, or simply an avid reader, this treasure trove of downloadable resources offers a wealth of information, conveniently accessible anytime, anywhere. The advent of online libraries and platforms dedicated to sharing knowledge has revolutionized the way we consume information. No longer confined to physical libraries or bookstores, readers can now access an extensive collection of digital books and manuals with just a few clicks. These resources, available in PDF, Microsoft Word, and PowerPoint formats, cater to a wide range of interests, including literature, technology, science, history, and much more. One notable platform where you can explore and download free Seat Cordoba Tdi 2015 Service Manual PDF books and manuals is the internet's largest free library. Hosted online, this catalog compiles a vast assortment of documents, making it a veritable goldmine of knowledge. With its easy-to-use website interface and customizable PDF generator, this platform offers a user-friendly experience, allowing individuals to effortlessly navigate and access the information they seek. The availability of free PDF books and manuals on this platform demonstrates its commitment to democratizing education and empowering individuals with the tools needed to succeed in their chosen fields. It allows anyone, regardless of their background or financial limitations, to expand their horizons and gain insights from experts in various disciplines. One of the most significant advantages of downloading PDF books and manuals lies in their portability. Unlike physical copies, digital books can be stored and carried on a single device, such as a tablet or smartphone, saving valuable space and weight. This convenience makes it possible for readers to have their entire library at their fingertips, whether they are commuting, traveling, or simply enjoying a lazy afternoon at home. Additionally, digital files are easily searchable, enabling readers to locate specific information within seconds. With a few keystrokes, users can search for keywords, topics, or phrases, making research and finding relevant information a breeze. This efficiency saves time and effort, streamlining the learning process and allowing individuals to focus on extracting the information they need. Furthermore, the availability of free PDF books and manuals fosters a culture of continuous learning. By removing financial barriers, more people can access educational resources and pursue lifelong

learning, contributing to personal growth and professional development. This democratization of knowledge promotes intellectual curiosity and empowers individuals to become lifelong learners, promoting progress and innovation in various fields. It is worth noting that while accessing free Seat Cordoba Tdi 2015 Service Manual PDF books and manuals is convenient and cost-effective, it is vital to respect copyright laws and intellectual property rights. Platforms offering free downloads often operate within legal boundaries, ensuring that the materials they provide are either in the public domain or authorized for distribution. By adhering to copyright laws, users can enjoy the benefits of free access to knowledge while supporting the authors and publishers who make these resources available. In conclusion, the availability of Seat Cordoba Tdi 2015 Service Manual free PDF books and manuals for download has revolutionized the way we access and consume knowledge. With just a few clicks, individuals can explore a vast collection of resources across different disciplines, all free of charge. This accessibility empowers individuals to become lifelong learners, contributing to personal growth, professional development, and the advancement of society as a whole. So why not unlock a world of knowledge today? Start exploring the vast sea of free PDF books and manuals waiting to be discovered right at your fingertips.

FAQs About Seat Cordoba Tdi 2015 Service Manual Books

What is a Seat Cordoba Tdi 2015 Service Manual PDF? A PDF (Portable Document Format) is a file format developed by Adobe that preserves the layout and formatting of a document, regardless of the software, hardware, or operating system used to view or print it. **How do I create a Seat Cordoba Tdi 2015 Service Manual PDF?** There are several ways to create a PDF: Use software like Adobe Acrobat, Microsoft Word, or Google Docs, which often have built-in PDF creation tools. Print to PDF: Many applications and operating systems have a "Print to PDF" option that allows you to save a document as a PDF file instead of printing it on paper. Online converters: There are various online tools that can convert different file types to PDF. **How do I edit a Seat Cordoba Tdi 2015 Service Manual PDF?** Editing a PDF can be done with software like Adobe Acrobat, which allows direct editing of text, images, and other elements within the PDF. Some free tools, like PDFescape or Smallpdf, also offer basic editing capabilities. **How do I convert a Seat Cordoba Tdi 2015 Service Manual PDF to another file format?** There are multiple ways to convert a PDF to another format: Use online converters like Smallpdf, Zamzar, or Adobe Acrobats export feature to convert PDFs to formats like Word, Excel, JPEG, etc. Software like Adobe Acrobat, Microsoft Word, or other PDF editors may have options to export or save PDFs in different formats. **How do I password-protect a Seat Cordoba Tdi 2015 Service Manual PDF?** Most PDF editing software allows you to add password protection. In Adobe Acrobat, for instance, you can go to "File" -> "Properties" -> "Security" to set a password to restrict access or editing capabilities. Are there any free alternatives to Adobe Acrobat for working with PDFs? Yes, there are

many free alternatives for working with PDFs, such as: LibreOffice: Offers PDF editing features. PDFsam: Allows splitting, merging, and editing PDFs. Foxit Reader: Provides basic PDF viewing and editing capabilities. How do I compress a PDF file? You can use online tools like Smallpdf, ILovePDF, or desktop software like Adobe Acrobat to compress PDF files without significant quality loss. Compression reduces the file size, making it easier to share and download. Can I fill out forms in a PDF file? Yes, most PDF viewers/editors like Adobe Acrobat, Preview (on Mac), or various online tools allow you to fill out forms in PDF files by selecting text fields and entering information. Are there any restrictions when working with PDFs? Some PDFs might have restrictions set by their creator, such as password protection, editing restrictions, or print restrictions. Breaking these restrictions might require specific software or tools, which may or may not be legal depending on the circumstances and local laws.

Find Seat Cordoba Tdi 2015 Service Manual :

[seat ibiza parts manual](#)

secrets de famille outrage

[section 2 the structure of dna holt biology](#)

secondary school exam papers 22

[section 12 4 universal forces workseet answer](#)

~~secret memoirs of a bornagain preacher english edition~~

seat manual for range rover sport

[seat alhambra 2015 manual](#)

section 1study workbook answer

~~section 1 human reproduction answer key~~

secrets of the wonderlic test study guide

secondary normal academic maths exam papers

[section 1 solubility curves topical review company](#)

seaside nights love in bloom seaside summers book english edition

second degree tracing board ritual

Seat Cordoba Tdi 2015 Service Manual :

so bin ich unverwundbar sechs strategien souverän mit Ärger - Aug 19 2023

web so bin ich unverwundbar sechs strategien souverän mit Ärger und kritik umzugehen 5439 berckhan barbara amazon com tr kitap

so bin ich unverwundbar sechs strategien souverdn mit kritik - Feb 01 2022

web so bin ich unverwundbar sechs strategien souverdn mit kritik und drger umzugehen barbara berckhan

so bin ich unverwundbar sechs strategien souv - Dec 31 2021

web so etwas passiert leider immer wieder eine kaltschnäuzig herabsetzende bemerkung trifft sie wie ein schlag so dass sie wortlos nach luft schnappen und längere zeit brauchen sich zu erholen oder ständige sticheleien machen ihnen monatelang das leben zur hölle wer wünscht sich da nicht unverwundbar zu sein wie der sagenheld siegfried nach

so bin ich unverwundbar sechs strategien souverän mit Ärger - Jan 12 2023

web so bin ich unverwundbar sechs strategien souverän mit Ärger und kritik umzugehen von noname bei abebooks de isbn 10 3466305217 isbn 13 9783466305216 kösel verlag 9999 softcover

so bin ich unverwundbar sechs strategien souverdn - Nov 10 2022

web so bin ich unverwundbar sechs strategien souverdn mit kritik und drger umzugehen 4 60 durchschnittliche bewertung 10 bewertungen bei goodreads verlag kösel verlag

so bin ich unverwundbar sechs strategien souverän mit Ärger - Jul 18 2023

web so bin ich unverwundbar sechs strategien souverän mit Ärger und kritik umzugehen berckhan barbara isbn 9783466305216 kostenloser versand für alle bücher mit versand und verkauf duch amazon

so bin ich unverwundbar sechs strategien souverän mit Ärger - Feb 13 2023

web so bin ich unverwundbar sechs strategien souverän mit Ärger und kritik umzugehen finden sie alle bücher von gelassenheit körpersprache konflikte berckhan barbara bei der büchersuchmaschine eurobuch de können sie antiquarische und neubücher vergleichen und sofort zum bestpreis bestellen sachbücher

so bin ich unverwundbar sechs strategien souveran - Jul 06 2022

web so bin ich unverwundbar barbara berckhan 2010 12 03 wer kennt das nicht sticheleien der kollegen unsachliche kritik und bohrende Ängste die einem den ganzen tag verderben das muss aber nicht sein die renommierte ratgeber autorin barbara berckhan erklärt wie man eine gesunde distanz zu den täglichen sorgen entwickelt sich

so bin ich unverwundbar sechs strategien souverdn mit kritik - May 04 2022

web so bin ich unverwundbar sechs strategien souverdn mit kritik und drger umzugehen barbara berckhan

so bin ich unverwundbar sechs strategien souveran - Mar 14 2023

web wie gehe ich mit schwierigen menschen um ludwig börnes judo mit worten resilienz die strategie der stehauf menschen finde dich gut sonst findet dich keiner religiösen machtmisbrauch verhindern so bin ich unverwundbar sechs strategien

souveran downloaded from retailer bonide com by guest rollins reina sanfte
[so bin ich unverwundbar sechs strategien souveran ron](#) - Aug 07 2022

web jan 9 2023 4728788 so bin ich unverwundbar sechs strategien souveran 1 16 downloaded from knockinc com on by
guest so bin ich unverwundbar sechs strategien souveran when somebody should go to the ebook stores search start by shop
shelf by shelf it is in reality problematic this is why we present the book compilations in
[so bin ich unverwundbar sechs strategien souveran](#) - Jun 17 2023

web 2 so bin ich unverwundbar sechs strategien souveran 2021 11 23 書籍 書籍 書籍 書籍 書籍 書籍 書籍 書籍 書籍 書籍 書籍 書籍 書籍 書籍 書籍
書籍 書籍 書籍 書籍 書籍 書籍 書籍 書籍 書籍 書籍 書籍 書籍 書籍 書籍 書籍
[souverän auftreten englisch Übersetzung linguae wörterbuch](#) - Mar 02 2022

web viele übersetzte beispielsätze mit souverän auftreten englisch deutsch wörterbuch und suchmaschine für millionen von
englisch Übersetzungen

so bin ich unverwundbar sechs strategien souveran download - Jun 05 2022

web so bin ich unverwundbar sechs strategien souveran 3 3 worauf es dabei ankommt das leben anzunehmen wie es ist den
Ängsten zuzuhören statt sie zu verdrängen klar zu kommunizieren sogar neinsagen ist erlaubt und dabei die eigenen
bedürfnisse ebenso wahrzunehmen wie die des anderen oder mutige entscheidungen zu fällen und zu
[so bin ich unverwundbar sechs strategien souveran](#) - Apr 03 2022

web sie wie man beides voneinander unterscheiden kann und wie gerade der blick von außen helfen kann sich selbst
realistischer zu sehen und sich weiterzuentwickeln

so bin ich unverwundbar sechs strategien souveran pdf - Sep 08 2022

web mar 9 2023 so bin ich unverwundbar barbara berckhan 2010 12 03 wer kennt das nicht sticheleien der kollegen
unsachliche kritik und bohrende Ängste die einem den ganzen tag verderben

[so bin ich unverwundbar sechs strategien souverän mit Ärger](#) - May 16 2023

web so bin ich unverwundbar sechs strategien souverän mit Ärger und kritik umzugehen ebook written by barbara berckhan
read this book using google play books app on your pc android ios devices

isbn 9783466305216 so bin ich unverwundbar sechs strategien - Oct 09 2022

web so bin ich unverwundbar sechs strategien souverän mit Ärger und kritik umzugehen sechs strateg 4 45 Ø
durchschnittliche bewertung 11 bewertungen bei goodreads von barbara berckhan verlag kösel

so bin ich unverwundbar sechs strategien souveran stage dvl - Apr 15 2023

web 4 so bin ich unverwundbar sechs strategien souveran 2022 09 25 selbstbewusst bei uns bleiben und innere und äußere
antreiber und quälgeister keine chance mehr haben in einer welt die scheinbar verrücktspielt gibt es ein wort das wir alle

dringend brauchen nein unser nein ist weit mehr als nur eine ablehnung es setzt eine grenze was
so bin ich unverwundbar sechs strategien souverän mit Ärger - Dec 11 2022

web so bin ich unverwundbar sechs strategien souverän mit Ärger und kritik umzugehen finden sie alle bücher von berckhan barbara bei der büchersuchmaschine eurobuch com können sie antiquarische und neubücher vergleichen und sofort zum bestpreis bestellen 3466305217 mit den sechs strategien zur

philosophie terminale stt sti a c la ve full pdf - Feb 19 2022

web oct 23 2023 originally published in french as la philosophie une ecole de la liberte enseignement de la philosophie et apprentissage du philosophe etat des lieux et regards pour l avenir this study is dedicated to all those who engaged themselves with vigour and conviction in the defence of the teaching of philosophy a fertile guarantor of
philosophie terminale stt sti a c la ve pdf doublespacio uchile - Mar 03 2023

web philosophie terminale stt sti a c la ve downloaded from doublespacio uchile cl by guest cesar williamson philosophie en terminale stt sti cahier du professeur editions du cercle de la librairie

philosophie terminale stt sti a c la ve 2023 pantera adecco - Jul 07 2023

web philosophie terminale stt sti a c la ve downloaded from pantera adecco com by guest simpson dakota livres de france editions du cercle de la librairie les mathématiques et les sciences de la matière ont pris la première place dans nos enseignements secondaires et supérieurs elles ne donnent à l homme aucune lumière sur lui même
philosophie terminale stt sti a c la ve pdf uniport edu - Aug 28 2022

web philosophie terminale stt sti a c la ve 1 7 downloaded from uniport edu ng on october 25 2023 by guest philosophie terminale stt sti a c la ve right here we have countless ebook philosophie terminale stt sti a c la ve and collections to check out we additionally present variant types and also type of the books to browse

philosophie terminale stt sti a c la ve demo1 woodropship - Apr 23 2022

web 4 philosophie terminale stt sti a c la ve 2023 07 14 topics subjects addressed include reading data from external sources learning details of data step programming subsetting and combining sas data sets understanding sas functions and working with arrays creating reports with proc report and proc tabulate getting started with the
philosophie terminale stt sti élève by rosenberg - Mar 23 2022

web philosophie terminale stt sti élève by rosenberg les sujets de philosophie au baccalaurat 1996 1997 1998 philosophie accueil description read download cours des avis et critiques du livre ainsi qu un résumé philosophie terminale stt sti eleve pdf full ebook by april 27th 2020 looking for philosophie terminale stt sti eleve

philosophie terminale stmg assistance scolaire - Nov 30 2022

web des fiches de révision et des exercices interactifs sur tous les points clés de philosophie en terminale stmg travailler sur

des sujets du bac une base de sujets corrigés tirés des épreuves de philosophie en terminale stmg de ces dernières années
consulter la

philosophie terminale stt sti a c la ve copy ead3 archivists - Oct 10 2023

web philosophie terminale stt sti a c la ve philosophie terminale stt sti a c la ve 2 downloaded from ead3 archivists org on
2021 12 19 by guest psychological perception and physiological psychology as well as philosophy the analysis of sensations is
about just that the nature of the relationship of physics and the physical sciences

philosophie terminale stt sti a c la ve pdf admin store motogp - Jul 27 2022

web philosophie terminale stt sti a c la ve downloaded from admin store motogp com by guest jimmy reyes the bail reform
act of 1984 walter de gruyter gmbh co kg indispensable à tous les acteurs

philosophie terminale stt sti a c la ve mikhail mikhaïlovich - Sep 09 2023

web of our books taking into account this one merely said the philosophie terminale stt sti a c la ve is universally compatible
subsequently any devices to read theaters of anatomy cynthia klestinec 2020 03 03 of enduring historical and contemporary
interest the anatomy theater is where students of the human body

philosophie terminale stt sti a c la ve pdf a3 phasescientific - May 05 2023

web 2 philosophie terminale stt sti a c la ve 2023 05 05 philosophie terminale stt sti a c la ve downloaded from a3
phasescientific com by guest amir sawyer livres hebdo editions du cercle de la librairie indispensable à tous les acteurs de l
édition cet ouvrage décrit explore et analyse recherche d auteurs de thèmes de formules

philosophie terminale stt sti a c la ve full pdf rc spectrallabs - Jun 06 2023

web 2 philosophie terminale stt sti a c la ve 2022 01 20 programme de philosophie des différentes séries du baccalauréat il
aborde en outre certains autres problèmes de société d anthropologie et de

philosophie terminale stt sti a c la ve full pdf dejuncto - May 25 2022

web book philosophie terminale stt sti a c la ve a literary masterpiece that delves deep in to the significance of words and
their affect our lives written by a renowned author this captivating work

ebook philosophie terminale stt sti a c la ve - Apr 04 2023

web philosophie terminale stt sti a c la ve genie civil jan 15 2022 treaty series 2947 recueil des traits 2947 nov 20 2019 in
accordance with article 102 of the charter and the relevant general assembly resolutions every treaty and international
agreement registered or filed and recorded with the secretariat since 1946 is published in the united

étude de texte stt sti archives ephilo - Feb 02 2023

web mar 2 2015 l étude de texte à l épreuve de philosophie du baccalauréat pour les séries stt sti consiste à répondre à trois
questions cf mon article de présentation générale dans ce tutoriel je vous explique ce qu il vous est demandé de faire dans la

première question dégager les étapes de l'argumentation

philosophie terminale stt sti a c la ve cyberlab sutd edu sg - Jan 01 2023

web philosophie terminale stt sti a c la ve algorithms and computation oct 01 2021 the papers in this volume were selected for presentation at the eleventh annual international symposium on algorithms and computation isaac 2000 held on 18 20 december 2000 at the institute of information science academia sinica taipei taiwan

philosophie terminale stt sti a c la ve pdf uniport edu - Aug 08 2023

web oct 17 2023 similar to this one merely said the philosophie terminale stt sti a c la ve is universally compatible following any devices to read avicenna and the visionary recital henry corbin 2014 07 14 in this work a distinguished scholar of islamic religion examines the mysticism and psychological thought of the great eleventh century persian philosopher

philosophie terminale stt sti a c la ve pdf pdf tax clone ortax - Jun 25 2022

web philosophie terminale stt sti a c la ve pdf pages 2 14 philosophie terminale stt sti a c la ve pdf upload mia z hayda 2 14 downloaded from tax clone ortax org on september 5 2023 by mia z hayda douglas s diekema 2011 09 08 this volume provides a practical overview of the ethical issues arising in pediatric practice the

cours et programme de philosophie de tle stl annabac - Sep 28 2022

web mathématiques spécialité révisez vos cours de philosophie de tle stl avec annabac fiches de cours annales corrigées exercices et vidéos programmes officiels de l'Éducation nationale

philosophie terminale stt sti a c la ve pdf book trustcare - Oct 30 2022

web philosophie terminale stt sti a c la ve pdf book trustcare de professeurs physique chimie terminale sms pdf cours de philosophie sujets bac philosophie 2010 que faire avec un bac sti sms stl pdf corrigs de sujets d

l horloge de la nature pra c voir le temps a comp john m - Jun 12 2023

web l horloge de la nature pra c voir le temps a comp thank you very much for downloading l horloge de la nature pra c voir le temps a comp most likely you

l horloge de la nature pra c voir le temps a comp pdf full - Apr 10 2023

web l horloge de la nature pra c voir le temps a comp pdf is available in our book collection an online merely said the l horloge de la nature pra c voir le temps a

l horloge de la nature pra c voir le temps a comp pdf - Aug 02 2022

web jul 27 2023 we meet the expense of l horloge de la nature pra c voir le temps a comp and numerous ebook collections from fictions to scientific research in any way

l horloge de la nature pra c voir le temps a comp pdf - May 31 2022

web temps sur mer avec une dissertation sur la nature des tentatives pour la découverte des longitudes dans la navigation et

sur l usage des horloges pour la mesure du tems

l horloge de la nature pra c voir le temps a comp - Jan 27 2022

web l horloge de la nature pra c voir le temps a comp when people should go to the ebook stores search creation by shop shelf by shelf it is essentially problematic this is

l horloge de la nature prévoir le temps de peter - Jan 07 2023

web may 26 2022 l horloge de la nature prévoir le temps comprendre les saisons les animaux et les plantes de peter wohlleben collection le fil vert livraison gratuite à

l horloge de la nature pra c voir le temps a comp wrbb neu - Nov 24 2021

web l horloge de la nature pra c voir le temps a comp 1 l horloge de la nature pra c voir le temps a comp right here we have countless books l horloge de la nature

l horloge de la nature pra c voir le temps a comp copy - Jul 13 2023

web l horloge de la nature pra c voir le temps a comp oeuvres complètes de christiaan huygens jan 23 2022 sep 30 2022 the studio mar 05 2023 le spectacle de la

l horloge de la nature pra c voir le temps a comp pdf copy - Feb 08 2023

web jun 26 2023 as this l horloge de la nature pra c voir le temps a comp pdf it ends taking place mammal one of the favored books l horloge de la nature pra c voir le

horloge de la nature pra c voir le temps a comp - Aug 14 2023

web horloge de la nature pra c voir le temps a comp 3 à les percevoir pour découvrir la nature

l horloge de la nature pra c voir le temps a comp copy - Jul 01 2022

web l horloge de la nature pra c voir le temps a comp pdf getting the books l horloge de la nature pra c voir le temps a comp pdf now is not type of inspiring means

l horloge de la nature pra c voir le temps a comp pdf ftp - Nov 05 2022

web jun 14 2023 l horloge de la nature pra c voir le temps a comp pdf this is likewise one of the factors by obtaining the soft documents of this l horloge de la nature pra c

l horloge de la nature pra c voir le temps a comp elara - Dec 26 2021

web l horloge de la nature pra c voir le temps a comp 1 if you ally infatuation such a referred l horloge de la nature pra c voir le temps a comp ebook that will offer

l horloge de la nature pra c voir le temps a comp full pdf - Sep 03 2022

web apr 19 2023 under as with ease as review l horloge de la nature pra c voir le temps a comp pdf what you taking into consideration to read the pronunciation of canadian

[l horloge de la nature pra c voir le temps a comp pdf copy](#) - Sep 22 2021

[l horloge de la nature pra c voir le temps a comp 2022](#) - Mar 09 2023

web l horloge de la nature pra c voir le temps a comp a first scientific french reader lettres Édifiantes et curieuses Écrites des missions Étrangères mémoires de la

l horloge de la nature pra c voir le temps a comp james - Feb 25 2022

web as this l horloge de la nature pra c voir le temps a comp it ends going on mammal one of the favored books l horloge de la nature pra c voir le temps a comp

l horloge de la nature prévoir le temps comprendre les saisons - Mar 29 2022

web l horloge de la nature pra c voir le temps a comp thank you for reading l horloge de la nature pra c voir le temps a comp as you may know people have look

l horloge de la nature prévoir le temps de peter - Dec 06 2022

web 4 l horloge de la nature pra c voir le temps a comp 2021 08 07 creative energy is clearly the reason the erotic takes such precedence and possession of the poetic it is

[l horloge de la nature pra c voir le temps a comp](#) - Oct 24 2021

web jun 27 2023 our books with this one merely said the l horloge de la nature pra c voir le temps a comp pdf is universally compatible in imitation of any devices to read

l horloge de la nature pra c voir le temps a comp - Apr 29 2022

web l horloge de la nature prévoir le temps comprendre les saisons les animaux et les plantes broché livre grand format 31 décembre 2099 découvrir d autres livres de

l horloge de la nature pra c voir le temps a comp pdf book - Oct 04 2022

web 4 l horloge de la nature pra c voir le temps a comp 2021 01 08 l horloge de la nature pra c voir le temps a comp downloaded from ftp williamcurley co uk by guest

[l horloge de la nature pra c voir le temps a comp full pdf](#) - May 11 2023

web l horloge de la nature pra c voir le temps a comp if you ally compulsion such a referred l horloge de la nature pra c voir le temps a comp ebook that will pay for