

Electronic Manual

SEAT

DOWNLOAD

www.downloadworkshopmanuals.com

OFFICIAL WORKSHOP MANUALS

FULL STANDALONE OFFLINE FUNCTION

As Used By Main Dealer Garages



Cordoba

Workshop Manual - Wiring Diagrams - Parts - etc

Installing

Front bumper panelling

Front bumper panelling

Bumper lining upper grill

Disassembly

Installation

Lower grille below bumper

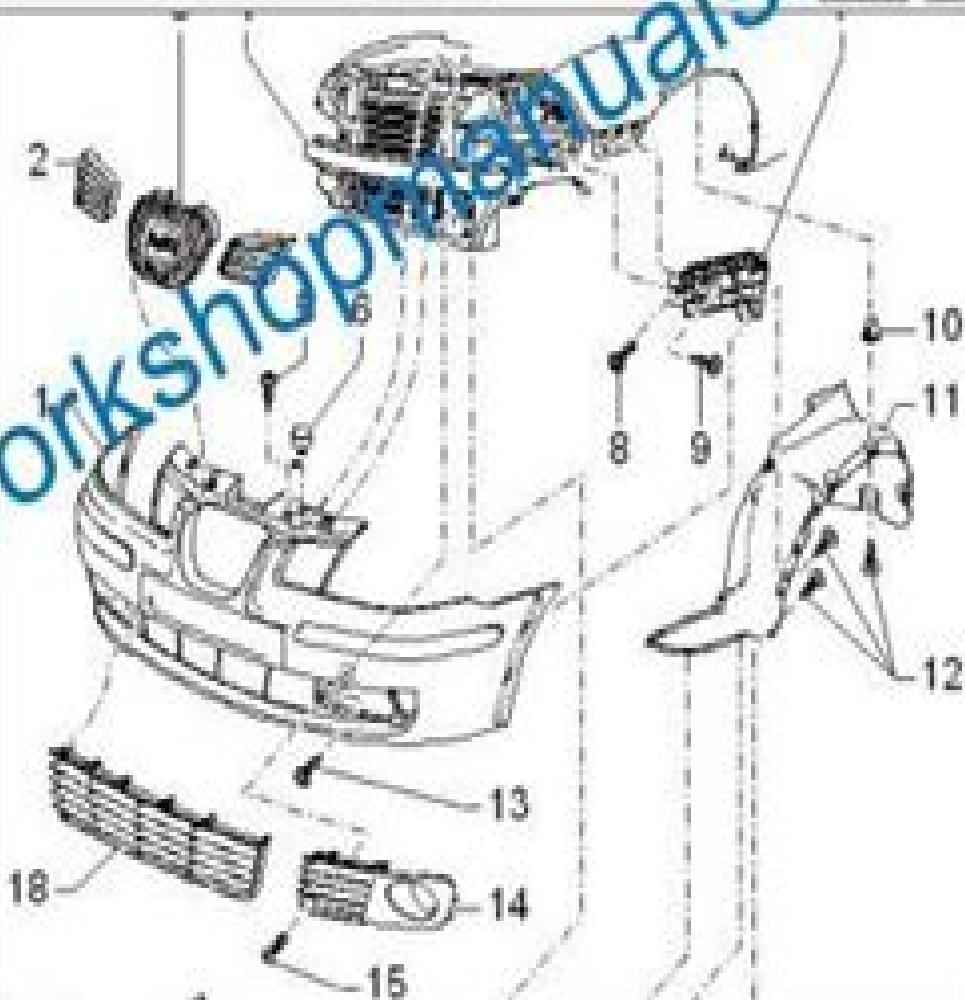
Side grille below bumper

Trim cover for side grill

Rear bumper panelling

64 Glazing/window mechanism

Search item:



Overview /

Document

Seat And Cordoba And Manual

M Planty



Seat And Cordoba And Manual:

Seat And Cordoba And Manual Book Review: Unveiling the Magic of Language

In a digital era where connections and knowledge reign supreme, the enchanting power of language has become more apparent than ever. Its capability to stir emotions, provoke thought, and instigate transformation is really remarkable. This extraordinary book, aptly titled "**Seat And Cordoba And Manual**," written by a highly acclaimed author, immerses readers in a captivating exploration of the significance of language and its profound impact on our existence. Throughout this critique, we will delve into the book's central themes, evaluate its unique writing style, and assess its overall influence on its readership.

https://crm.avenza.com/book/Resources/fetch.php/Report_Generator_For_Delphi.pdf

Table of Contents Seat And Cordoba And Manual

1. Understanding the eBook Seat And Cordoba And Manual
 - The Rise of Digital Reading Seat And Cordoba And Manual
 - Advantages of eBooks Over Traditional Books
2. Identifying Seat And Cordoba And Manual
 - Exploring Different Genres
 - Considering Fiction vs. Non-Fiction
 - Determining Your Reading Goals
3. Choosing the Right eBook Platform
 - Popular eBook Platforms
 - Features to Look for in an Seat And Cordoba And Manual
 - User-Friendly Interface
4. Exploring eBook Recommendations from Seat And Cordoba And Manual
 - Personalized Recommendations
 - Seat And Cordoba And Manual User Reviews and Ratings
 - Seat And Cordoba And Manual and Bestseller Lists

5. Accessing Seat And Cordoba And Manual Free and Paid eBooks
 - Seat And Cordoba And Manual Public Domain eBooks
 - Seat And Cordoba And Manual eBook Subscription Services
 - Seat And Cordoba And Manual Budget-Friendly Options
6. Navigating Seat And Cordoba And Manual eBook Formats
 - ePub, PDF, MOBI, and More
 - Seat And Cordoba And Manual Compatibility with Devices
 - Seat And Cordoba And Manual Enhanced eBook Features
7. Enhancing Your Reading Experience
 - Adjustable Fonts and Text Sizes of Seat And Cordoba And Manual
 - Highlighting and Note-Taking Seat And Cordoba And Manual
 - Interactive Elements Seat And Cordoba And Manual
8. Staying Engaged with Seat And Cordoba And Manual
 - Joining Online Reading Communities
 - Participating in Virtual Book Clubs
 - Following Authors and Publishers Seat And Cordoba And Manual
9. Balancing eBooks and Physical Books Seat And Cordoba And Manual
 - Benefits of a Digital Library
 - Creating a Diverse Reading Collection Seat And Cordoba And Manual
10. Overcoming Reading Challenges
 - Dealing with Digital Eye Strain
 - Minimizing Distractions
 - Managing Screen Time
11. Cultivating a Reading Routine Seat And Cordoba And Manual
 - Setting Reading Goals Seat And Cordoba And Manual
 - Carving Out Dedicated Reading Time
12. Sourcing Reliable Information of Seat And Cordoba And Manual
 - Fact-Checking eBook Content of Seat And Cordoba And Manual
 - Distinguishing Credible Sources
13. Promoting Lifelong Learning

- Utilizing eBooks for Skill Development
 - Exploring Educational eBooks
14. Embracing eBook Trends
- Integration of Multimedia Elements
 - Interactive and Gamified eBooks

Seat And Cordoba And Manual Introduction

In this digital age, the convenience of accessing information at our fingertips has become a necessity. Whether its research papers, eBooks, or user manuals, PDF files have become the preferred format for sharing and reading documents. However, the cost associated with purchasing PDF files can sometimes be a barrier for many individuals and organizations. Thankfully, there are numerous websites and platforms that allow users to download free PDF files legally. In this article, we will explore some of the best platforms to download free PDFs. One of the most popular platforms to download free PDF files is Project Gutenberg. This online library offers over 60,000 free eBooks that are in the public domain. From classic literature to historical documents, Project Gutenberg provides a wide range of PDF files that can be downloaded and enjoyed on various devices. The website is user-friendly and allows users to search for specific titles or browse through different categories. Another reliable platform for downloading Seat And Cordoba And Manual free PDF files is Open Library. With its vast collection of over 1 million eBooks, Open Library has something for every reader. The website offers a seamless experience by providing options to borrow or download PDF files. Users simply need to create a free account to access this treasure trove of knowledge. Open Library also allows users to contribute by uploading and sharing their own PDF files, making it a collaborative platform for book enthusiasts. For those interested in academic resources, there are websites dedicated to providing free PDFs of research papers and scientific articles. One such website is Academia.edu, which allows researchers and scholars to share their work with a global audience. Users can download PDF files of research papers, theses, and dissertations covering a wide range of subjects. Academia.edu also provides a platform for discussions and networking within the academic community. When it comes to downloading Seat And Cordoba And Manual free PDF files of magazines, brochures, and catalogs, Issuu is a popular choice. This digital publishing platform hosts a vast collection of publications from around the world. Users can search for specific titles or explore various categories and genres. Issuu offers a seamless reading experience with its user-friendly interface and allows users to download PDF files for offline reading. Apart from dedicated platforms, search engines also play a crucial role in finding free PDF files. Google, for instance, has an advanced search feature that allows users to filter results by file type. By specifying the file type as "PDF," users can find websites that offer free PDF downloads on a specific topic. While downloading Seat And Cordoba And Manual free PDF files is convenient,

its important to note that copyright laws must be respected. Always ensure that the PDF files you download are legally available for free. Many authors and publishers voluntarily provide free PDF versions of their work, but its essential to be cautious and verify the authenticity of the source before downloading Seat And Cordoba And Manual. In conclusion, the internet offers numerous platforms and websites that allow users to download free PDF files legally. Whether its classic literature, research papers, or magazines, there is something for everyone. The platforms mentioned in this article, such as Project Gutenberg, Open Library, Academia.edu, and Issuu, provide access to a vast collection of PDF files. However, users should always be cautious and verify the legality of the source before downloading Seat And Cordoba And Manual any PDF files. With these platforms, the world of PDF downloads is just a click away.

FAQs About Seat And Cordoba And Manual Books

What is a Seat And Cordoba And Manual PDF? A PDF (Portable Document Format) is a file format developed by Adobe that preserves the layout and formatting of a document, regardless of the software, hardware, or operating system used to view or print it. **How do I create a Seat And Cordoba And Manual PDF?** There are several ways to create a PDF: Use software like Adobe Acrobat, Microsoft Word, or Google Docs, which often have built-in PDF creation tools. Print to PDF: Many applications and operating systems have a "Print to PDF" option that allows you to save a document as a PDF file instead of printing it on paper. Online converters: There are various online tools that can convert different file types to PDF. **How do I edit a Seat And Cordoba And Manual PDF?** Editing a PDF can be done with software like Adobe Acrobat, which allows direct editing of text, images, and other elements within the PDF. Some free tools, like PDFescape or Smallpdf, also offer basic editing capabilities. **How do I convert a Seat And Cordoba And Manual PDF to another file format?** There are multiple ways to convert a PDF to another format: Use online converters like Smallpdf, Zamzar, or Adobe Acrobats export feature to convert PDFs to formats like Word, Excel, JPEG, etc. Software like Adobe Acrobat, Microsoft Word, or other PDF editors may have options to export or save PDFs in different formats. **How do I password-protect a Seat And Cordoba And Manual PDF?** Most PDF editing software allows you to add password protection. In Adobe Acrobat, for instance, you can go to "File" -> "Properties" -> "Security" to set a password to restrict access or editing capabilities. Are there any free alternatives to Adobe Acrobat for working with PDFs? Yes, there are many free alternatives for working with PDFs, such as: LibreOffice: Offers PDF editing features. PDFsam: Allows splitting, merging, and editing PDFs. Foxit Reader: Provides basic PDF viewing and editing capabilities. How do I compress a PDF file? You can use online tools like Smallpdf, ILovePDF, or desktop software like Adobe Acrobat to compress PDF files without significant quality loss. Compression reduces the file size, making it easier to share and download. Can I fill out forms in a PDF file? Yes, most PDF viewers/editors like Adobe Acrobat,

Preview (on Mac), or various online tools allow you to fill out forms in PDF files by selecting text fields and entering information. Are there any restrictions when working with PDFs? Some PDFs might have restrictions set by their creator, such as password protection, editing restrictions, or print restrictions. Breaking these restrictions might require specific software or tools, which may or may not be legal depending on the circumstances and local laws.

Find Seat And Cordoba And Manual :

[report generator for delphi](#)

research paper outlines for 5th grade

[reset service b c230](#)

[research report on schizophrenia](#)

report tax fraud to irs anonymously

[reporting category 1 5th grade math practice](#)

[research paper graphic organizer elementary](#)

[reset check engine light volvo 850](#)

[report viewer dll winform](#)

reset ipod classic manually

research paper on horses

[reset bcm vt](#)

[report unemployment fraud nj](#)

[research report on china](#)

report power attorney mortgage fraud il

Seat And Cordoba And Manual :

free payroll templates business org - Jul 27 2022

web mar 7 2023 smartsheet offers several customizable free payroll templates including an all in one payroll calculator and registrar you can also use smartsheet to find professional payroll summary report templates and payroll ledger templates you can also print or export payroll templates as pdfs smartsheet starts with a 30 day free trial but to

payroll calculator free employee payroll template for excel - Apr 23 2022

web dec 28 2022 this payroll template contains several worksheets each of which are intended for performing the specific

function the first worksheet is the employee register intended for storing detailed information about each of your employees the payroll calculator worksheet helps you with calculating the employee payroll based upon

[10 best hr payroll templates in excel by exceldatapro](#) - Jul 07 2023

web jan 7 2018 payroll template with attendance payroll excel template with attendance is a fully automated template in excel openoffice calc and google sheets to manage the complete payroll

free excel payroll template easy to use ready in minutes - Aug 28 2022

web the free payroll template excel has inputs as well for salary increases year on year so you can rest assured that your analysis will be accurate and reflective free payroll template excel how to get data analysis in excel a step by step guide oct 2 2023 return on invested capital after taxes metric explained oct 2 2023

10 free payroll templates in excel and clickup - Aug 08 2023

web sep 19 2023 9 excel timesheet for payroll template via microsoft 365 timesheet templates are a great way to keep track of the amount of time an employee spends performing duties for the job the excel timesheet for payroll template from microsoft 365 is a simple to use worksheet designed for use in microsoft excel

free payroll templates tips what to include fit small - Feb 02 2023

web dec 17 2021 free payroll templates created through spreadsheet programs like microsoft excel and google sheets can help you save time especially if the templates use formulas to automate calculations a payroll expense analysis template is good for any company that s undergone at least a month of payroll expenses it provides key metrics

8 metrics and kpis you need to track in your payroll metrics - Jun 25 2022

web sep 7 2022 here s an example of a possible payroll metrics dashboard in a databox template the harvest time report dashboard tracks metrics related to billable and non billable hours in a single visualization top kpis and

download salary sheet excel template exceldatapro - May 25 2022

web salary sheet is a ready to use template in excel google sheets openoffice calc and apple numbers that helps you easily calculate the salary

[payroll template excel payroll template free payroll templates](#) - Feb 19 2022

web the excel payroll template includes everything you will need to successfully track the payroll of all your employees free payroll templates include a comprehensive list of headings and sections to help you successfully manage your payroll the payroll template gives you the ability to make a headcount summary

payroll templates microsoft create - Sep 09 2023

web create from scratch make payday go more smoothly with easy to use payroll templates getting people paid on time is a big job but you re more than up to the task with the help of these payroll templates these excel templates can be adjusted to

reflect hourly rates and overtime salaries taxes and withholdings that apply to your business

[free payroll template 2023 forbes advisor](#) - Apr 04 2023

web jan 23 2023 format payroll templates come in a variety of formats such as microsoft excel and word google sheets and pdf opt for the format that you and your team are most comfortable with

[15 free payroll templates smartsheet](#) - Oct 10 2023

web jul 18 2017 managing work budget accounting 15 free payroll templates get free smartsheet templates by andy marker

july 18 2017 small business owners and managers have a few options when it comes to managing payroll

how to create payroll in excel step by step free template - Mar 23 2022

web jul 5 2023 step 1 open a new excel spreadsheet the first step in making payroll in excel is to open a new excel sheet for this go to the search box at the bottom left end of the windows desktop screen type excel click the excel icon to open a new blank excel spreadsheet

[payroll template free employee payroll template for excel](#) - May 05 2023

web apr 11 2022 employee payroll template download a free employee payroll register spreadsheet for excel updated 4 11 2022 as a new employer i set out to create a payroll calculator but in the process learned that there were too many laws and regulations associated with payroll to risk using a spreadsheet for calculating payroll

40 free payroll report templates excel word [templatelab](#) - Jun 06 2023

web business finance payroll report templates 40 free payroll report templates excel word a payroll report is an important document in the running of a company it provides crucial information about its human resource which can be used to keep labor costs in check auditors use payroll reports when performing audits or preparing tax reports

[payroll analysis payroll calculation template](#) - Oct 30 2022

web download related templates payroll planning template sample payroll register price modelling and break even analysis model present value analysis calculator payroll calculator use this payroll analysis template to accurately calculate payroll costs it s a great tool to keep payroll costs efficient and on track

how to do payroll in excel 7 simple steps plus step by step - Mar 03 2023

web feb 2 2023 figuring out how to do payroll using an excel template can take some time first you need to take a look at the template and evaluate your business needs a standardized template should have tabs for each month with links to formulas that calculate employee taxes deductions and pay

40 free payroll templates calculators [templatelab](#) - Sep 28 2022

web apr 8 2018 types of payroll templates before you make an excel payroll template you need to know what template to make there are different types of templates you can make for your business no matter what type you choose it should help

you organize your payroll system you need this so you can give wages to employees on time

6 best microsoft excel templates for payroll management guiding tech - Nov 30 2022

web jun 13 2020 1 employee payroll calculator this one comes from the house of microsoft the payroll management

template spreads across three worksheets there is one each for employee wage and taxes

free payroll templates clockify - Jan 01 2023

web 14 free payroll templates you can use to manage payroll from calculating payroll to keeping track of your budget these customizable templates are designed to help you streamline your company s payroll process get templates why

gian paolo barbieri dark memories milano 2003 artsy - Feb 01 2023

web available for sale from 29 arts in progress gallery gian paolo barbieri dark memories milano 2003 polaroid type 55

positive 12 10 cm

gian paolo barbieri dark memories ediz italiana e susanna - Jul 26 2022

web gian paolo barbieri dark memories ediz italiana e is available in our digital library an online access to it is set as public so you can download it instantly our digital library saves in multiple locations allowing you to get the most less latency time

to download any of our books like this one

gian paolo barbieri dark memories artribune - Dec 31 2022

web sep 24 2013 in occasione dell uscita del libro edito da skira photology è lieta di invitarla al book signing di gian paolo barbieri e alla presentazione di dark memories le opere vietate book

gian paolo barbieri dark memories ediz italiana e - Jun 05 2023

web multifaceted simon and schuster this volume recounts renowned italian fashion photographer gian paolo barbieri s born 1938 love affair with evar a young architect and model who was killed in a motorcycle accident barbieri s portraits of evar

are accompanied by poems by branslav jankic

gian paolo barbieri dark memories ediz italiana e pdf - Mar 22 2022

web sep 18 2023 gian paolo barbieri dark memories ediz italiana e 1 11 downloaded from uniport edu ng on september 18

2023 by guest gian paolo barbieri dark memories ediz italiana e getting the books gian paolo barbieri dark memories ediz italiana e now is not type of inspiring means

gian paolo barbieri dark memories ediz italiana e inglese - Aug 07 2023

web acquista online il libro gian paolo barbieri dark memories ediz italiana e inglese di maurizio rebuzzini velissiotis nikolaos in offerta a prezzi imbattibili su mondadori store

gian paolo barbieri dark memories ediz italiana e pdf - Feb 18 2022

web oct 10 2023 gian paolo barbieri dark memories ediz italiana e is available in our book collection an online access to it is

set as public so you can get it instantly our books collection spans in multiple locations allowing you to get the most less latency time to download any of our books like this one

exhibition dark memories gian paolo barbieri - Apr 03 2023

web so the nude dark memories series is a hymn to this exuberance of nature in all its forms without fake modesty without fear of banality playing with the happiness and innocence of a child above that thin red line that has never divided with a sharp cut the so called pure art from the polluted the poetry of vulgarity the sacred from the

amazon it recensioni clienti gian paolo barbieri dark memories ediz - Jul 06 2023

web consultare utili recensioni cliente e valutazioni per gian paolo barbieri dark memories ediz italiana e inglese su amazon it consultare recensioni obiettive e imparziali sui prodotti fornite dagli utenti

gian paolo barbieri dark memories ediz italiana e inglese - Mar 02 2023

web gian paolo barbieri dark memories ediz italiana e inglese fotografia von rebuzzini maurizio nikolaos velissiotis bei abebooks de isbn 10 8857219739 isbn 13 9788857219738 skira 2013 hardcover

gian paolo barbieri dark memories ediz italiana e copy - Jun 24 2022

web 2 gian paolo barbieri dark memories ediz italiana e 2022 12 14 gian paolo barbieri dark memories ediz italiana e downloaded from stage gapinc com by guest gideon tristin abstrakt zermatt transcript verlag to this day no comprehensive academic study of the development of guidebooks to rome over time has been performed this book

gian paolo barbieri dark memories ediz italiana e pdf uniport edu - Apr 22 2022

web oct 11 2023 gian paolo barbieri dark memories ediz italiana e is available in our book collection an online access to it is set as public so you can download it instantly our books collection spans in multiple locations allowing you to get the most less latency time to

gian paolo barbieri dark memories ediz italiana e ai classmonitor - May 24 2022

web gian paolo barbieri dark memories ediz italiana e 3 3 sketches cartoons paintings and photographs to explore and elaborate upon the many and varied ways in which the vast and varied earth and at times the heavens beyond have been both imagined and represented as a place of human habitation the essays include reflections upon

gian paolo barbieri dark memories hardcover april 8 2014 - Aug 27 2022

web apr 8 2014 barbieri s nudes appear natural direct life like rich joyous and marked by dazzling expressive purity and simplicity these photographs bring together the prehistoric approach to the human body the aesthetic pursuit of classical greek beauty and the renaissance rediscovery of freedom

the forbidden works dark memories gian paolo barbieri - Oct 29 2022

web the forbidden works dark memories september 10th november 8th 2013 photology art gallery milan the body landscapes

and of senses of the dark memories by gian paolo barbieri in a book and an exhibition of prohibited works

dark memories le opere private gian paolo barbieri - Sep 27 2022

web sep 10 2013 i paesaggi dei corpi e dei sensi delle dark memories di gian paolo barbieri in un libro e una mostra di opere vietate il corpo adamitico percorso da un serpente sinuoso come il corso della vita e i sentieri dei sensi animale a sangue freddo che scalda il corpo puntando alla peccaminosa simbologia del pomo protagonisti dello

gian paolo barbieri dark memories ediz italiana e inglese - Sep 08 2023

web maurizio rebuzzini gian paolo barbieri dark memories ediz italiana e inglese copertina rigida illustrato 19 giugno 2013 edizione inglese di maurizio rebuzzini

gian paolo barbieri dark memories ediz italiana e inglese - May 04 2023

web gian paolo barbieri dark memories ediz italiana e inglese di rebuzzini maurizio nikolaos velissiotis su abebooks it isbn 10 8857219739 isbn 13 9788857219738 skira 2013 rilegato

gian paolo barbieri dark memories ediz italiana e 2022 db csda - Nov 29 2022

web 2 gian paolo barbieri dark memories ediz italiana e 2023 09 21 gian paolo barbieri dark memories ediz italiana e downloaded from db csda org by guest rebekah peterson dark memories routledge a book of male nude portraits shot in the great outdoors the cathedral builders getty publications leading geographer denis cosgrove

gian paolo barbieri dark memories ediz italiana e inglese - Oct 09 2023

web ediz italiana e inglese è un libro di maurizio rebuzzini velissiotis nikolaos pubblicato da skira nella collana fotografia acquista su ibs a 60 00 dark memories ediz italiana e inglese maurizio rebuzzini velissiotis nikolaos libro skira fotografia ibs

the know nonsense guide to money heidi fiedler netgalley - May 24 2022

web dec 5 2017 full of fun and funny illustrations the know nonsense guide to money explains the basics of saving spending and other lessons in ways that kids will understand fuzzy on finances bamboozled by banks budgets and bitcoins

the know nonsense guide to grammar an awesomely fun guide - Feb 18 2022

web apr 1 2017 the know nonsense guide to grammar is an unforgettably funny grammar and literary device reference for kids featuring easy to grasp explanations and colorful illustrations fuzzy on punctuation bamboozled by adverbs perplexed by the difference between idioms and irony that s totally understandable

the know nonsense guide series by heidi fiedler goodreads - Feb 01 2023

web the know nonsense guide series 4 primary works 4 total works the know nonsense guide to grammar an awesomely fun guide to the way we use words by heidi fiedler 4 11 74 ratings 41 reviews 5 editions get kids excited about learning the know nonsense want to read

the know nonsense guide to money an awesomely fun guide - Oct 29 2022

web the know nonsense guide to money an awesomely fun guide to the way we use currency unnamed amazon com au books pdf [the know nonsense guide to money by heidi fiedler](#) - Jun 24 2022

web the know nonsense guide to money has your back on all things financial fiscal and flummoxing this easy to read guide is packed with simple definitions memorable examples and funny illustrations to make the way we use currency throughout the world something anyone can understand

[the know nonsense guide to money an awesomely fun guide](#) - Jun 05 2023

web apr 5 2022 full of fun and funny illustrations the know nonsense guide to money explains the basics of saving spending and other lessons in ways that kids will understand fuzzy on finances bamboozled by banks budgets and bitcoins perplexed by the difference between debit and credit cards

buy the know nonsense guide to money an awesomely fun guide - Sep 27 2022

web full of fun and funny illustrations the know nonsense guide to money explains the basics of saving spending and other lessons in ways that kids will understand fuzzy on finances bamboozled by banks budgets and bitcoins perplexed by the difference between debit and credit cards

the know nonsense guide to money [vitalsource](#) - Aug 27 2022

web the know nonsense guide to money an awesomely fun guide to the world of finance is written by heidi fiedler and published by walter foster jr the digital and etextbook isbn for the know nonsense guide to money are 9781633226340 1633226344 and the print isbn are 9781633223943 1633223949 save up to 80

the know nonsense guide to money an awesomely fun guide - Sep 08 2023

web dec 5 2017 the know nonsense guide to money an awesomely fun guide to the world of finance heidi fiedler brendan kearney illustrator walter foster creative team 4 18 44 ratings 27 reviews fuzzy on finances bamboozled by banks budgets and bitcoins perplexed by the difference between debit and credit cards

[the know nonsense guide to money an awesomely fun guide](#) - Dec 31 2022

web the know nonsense guide to money an awesomely fun guide to the world of finance fiedler heidi kearney brendan amazon sg books

the know nonsense guide to money an awesomely fun guide - Mar 22 2022

web money is a serious subject but that doesn't mean that learning about it can't be fun or funny this light hearted guide covers everything from the history of currency to what it means to earn spend save and borrow to what money habits make for long term money success it cheerfully explains money and finan

the know nonsense guide to money an awesomely fun guide - Apr 03 2023

web apr 5 2022 full of fun and funny illustrations the know nonsense guide to money explains the basics of saving spending

and other lessons in ways that kids will understand fuzzy on finances bamboozled by banks budgets and bitcoins perplexed by the difference between debit and credit cards

the know nonsense guide to money an awesomely fun guide - Nov 29 2022

web abebooks com the know nonsense guide to money an awesomely fun guide to the world of finance know nonsense series 9780760379400 by fiedler heidi and a great selection of similar new used and collectible books available now at great prices

the know nonsense guide to money an awesomely fun guide to alibris - Apr 22 2022

web buy the know nonsense guide to money an awesomely fun guide to the world of finance by heidi fiedler brendan kearney illustrator online at alibris we have new and used copies available in 2 editions starting at 2 35 shop now

the know nonsense guide to money an awesomely fun guide - Oct 09 2023

web dec 5 2017 the know nonsense guide to money an awesomely fun guide to the world of finance know nonsense series fiedler heidi kearney brendan on amazon com free shipping on qualifying offers

the know nonsense guide to money an awesomely fun guide - Jul 26 2022

web the know nonsense guide to money an awesomely fun guide to the world of finance the know nonsense guide brendan kearney heidi fiedler walter foster creative team

the know nonsense guide to money an awesomely fun guide - Jul 06 2023

web full of fun and funny illustrations the know nonsense guide to money will explain the basics of saving spending and other lessons in ways that kids will understand fuzzy on finances bamboozled by banks budgets and bitcoins perplexed by the difference between debit and credit cards

the know nonsense guide to money an awesomely fun guide - Mar 02 2023

web dec 5 2017 the know nonsense guide to money an awesomely fun guide to the world of finance fiedler heidi kearney brendan 9781633223943 books amazon ca

the know nonsense guide to money an awesomely fun guide - May 04 2023

web dec 7 2017 full of fun and funny illustrations the know nonsense guide to money explains the basics of saving spending and other lessons in ways that kids will understand fuzzy on finances bamboozled by banks budgets and bitcoins perplexed by the difference between debit and credit cards

the know nonsense guide to money the quarto group - Aug 07 2023

web apr 5 2022 full of fun and funny illustrations the know nonsense guide to money explains the basics of saving spending and other lessons in ways that kids will understand fuzzy on finances bamboozled by banks budgets and bitcoins perplexed by the difference between debit and credit cards