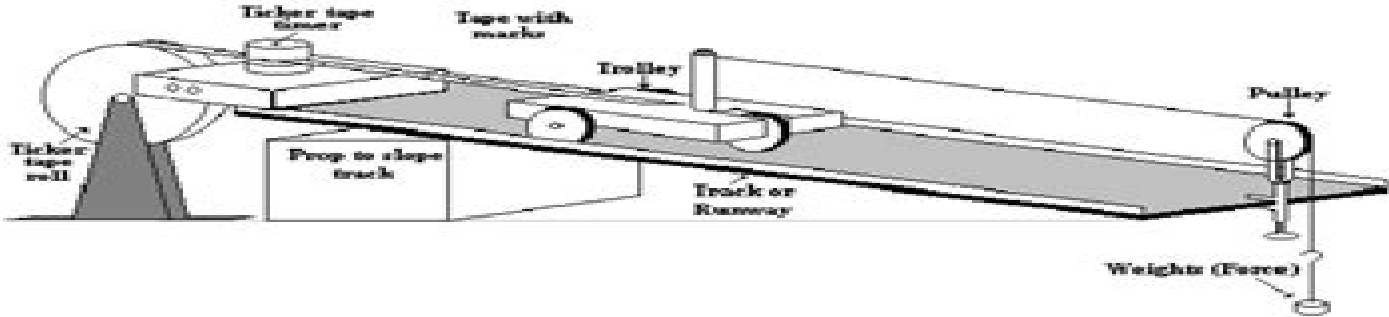


PHYSICAL SCIENCES GRADE 11
TERM 1: PHYSICS EXPERIMENT
KNOWLEDGE AREA: MECHANICS
VERIFICATION NEWTON'S SECOND LAW OF MOTION

	MARKING GUIDELINES
DATE	<i>February / March 2020</i>
SCHOOL	
DISTRICT	<i>Tshwane South D4</i>

NB: All diagrams, data and graphs are just examples. Mark according to the experiments as conducted by the learners at your school.

PART 1



Mark with rubric

[10]

Physical Science Memorandum Grade 1for2014 Northen Cape

Daniel F McAuley



Physical Science Memorandum Grade 1for2014 Northen Cape:

Ignite the flame of optimism with its motivational masterpiece, Find Positivity in **Physical Science Memorandum Grade 1for2014 Northern Cape** . In a downloadable PDF format (Download in PDF: *), this ebook is a beacon of encouragement. Download now and let the words propel you towards a brighter, more motivated tomorrow.

https://crm.avenza.com/results/Resources/Documents/Peugeot_306_Motor_Manual.pdf

Table of Contents Physical Science Memorandum Grade 1for2014 Northern Cape

1. Understanding the eBook Physical Science Memorandum Grade 1for2014 Northern Cape
 - The Rise of Digital Reading Physical Science Memorandum Grade 1for2014 Northern Cape
 - Advantages of eBooks Over Traditional Books
2. Identifying Physical Science Memorandum Grade 1for2014 Northern Cape
 - Exploring Different Genres
 - Considering Fiction vs. Non-Fiction
 - Determining Your Reading Goals
3. Choosing the Right eBook Platform
 - Popular eBook Platforms
 - Features to Look for in an Physical Science Memorandum Grade 1for2014 Northern Cape
 - User-Friendly Interface
4. Exploring eBook Recommendations from Physical Science Memorandum Grade 1for2014 Northern Cape
 - Personalized Recommendations
 - Physical Science Memorandum Grade 1for2014 Northern Cape User Reviews and Ratings
 - Physical Science Memorandum Grade 1for2014 Northern Cape and Bestseller Lists
5. Accessing Physical Science Memorandum Grade 1for2014 Northern Cape Free and Paid eBooks
 - Physical Science Memorandum Grade 1for2014 Northern Cape Public Domain eBooks
 - Physical Science Memorandum Grade 1for2014 Northern Cape eBook Subscription Services
 - Physical Science Memorandum Grade 1for2014 Northern Cape Budget-Friendly Options
6. Navigating Physical Science Memorandum Grade 1for2014 Northern Cape eBook Formats

- ePub, PDF, MOBI, and More
 - Physical Science Memorandum Grade 1for2014 Northen Cape Compatibility with Devices
 - Physical Science Memorandum Grade 1for2014 Northen Cape Enhanced eBook Features
7. Enhancing Your Reading Experience
 - Adjustable Fonts and Text Sizes of Physical Science Memorandum Grade 1for2014 Northen Cape
 - Highlighting and Note-Taking Physical Science Memorandum Grade 1for2014 Northen Cape
 - Interactive Elements Physical Science Memorandum Grade 1for2014 Northen Cape
 8. Staying Engaged with Physical Science Memorandum Grade 1for2014 Northen Cape
 - Joining Online Reading Communities
 - Participating in Virtual Book Clubs
 - Following Authors and Publishers Physical Science Memorandum Grade 1for2014 Northen Cape
 9. Balancing eBooks and Physical Books Physical Science Memorandum Grade 1for2014 Northen Cape
 - Benefits of a Digital Library
 - Creating a Diverse Reading Collection Physical Science Memorandum Grade 1for2014 Northen Cape
 10. Overcoming Reading Challenges
 - Dealing with Digital Eye Strain
 - Minimizing Distractions
 - Managing Screen Time
 11. Cultivating a Reading Routine Physical Science Memorandum Grade 1for2014 Northen Cape
 - Setting Reading Goals Physical Science Memorandum Grade 1for2014 Northen Cape
 - Carving Out Dedicated Reading Time
 12. Sourcing Reliable Information of Physical Science Memorandum Grade 1for2014 Northen Cape
 - Fact-Checking eBook Content of Physical Science Memorandum Grade 1for2014 Northen Cape
 - Distinguishing Credible Sources
 13. Promoting Lifelong Learning
 - Utilizing eBooks for Skill Development
 - Exploring Educational eBooks
 14. Embracing eBook Trends
 - Integration of Multimedia Elements
 - Interactive and Gamified eBooks

Physical Science Memorandum Grade 1for2014 Northen Cape Introduction

Free PDF Books and Manuals for Download: Unlocking Knowledge at Your Fingertips In todays fast-paced digital age, obtaining valuable knowledge has become easier than ever. Thanks to the internet, a vast array of books and manuals are now available for free download in PDF format. Whether you are a student, professional, or simply an avid reader, this treasure trove of downloadable resources offers a wealth of information, conveniently accessible anytime, anywhere. The advent of online libraries and platforms dedicated to sharing knowledge has revolutionized the way we consume information. No longer confined to physical libraries or bookstores, readers can now access an extensive collection of digital books and manuals with just a few clicks. These resources, available in PDF, Microsoft Word, and PowerPoint formats, cater to a wide range of interests, including literature, technology, science, history, and much more. One notable platform where you can explore and download free Physical Science Memorandum Grade 1for2014 Northen Cape PDF books and manuals is the internets largest free library. Hosted online, this catalog compiles a vast assortment of documents, making it a veritable goldmine of knowledge. With its easy-to-use website interface and customizable PDF generator, this platform offers a user-friendly experience, allowing individuals to effortlessly navigate and access the information they seek. The availability of free PDF books and manuals on this platform demonstrates its commitment to democratizing education and empowering individuals with the tools needed to succeed in their chosen fields. It allows anyone, regardless of their background or financial limitations, to expand their horizons and gain insights from experts in various disciplines. One of the most significant advantages of downloading PDF books and manuals lies in their portability. Unlike physical copies, digital books can be stored and carried on a single device, such as a tablet or smartphone, saving valuable space and weight. This convenience makes it possible for readers to have their entire library at their fingertips, whether they are commuting, traveling, or simply enjoying a lazy afternoon at home. Additionally, digital files are easily searchable, enabling readers to locate specific information within seconds. With a few keystrokes, users can search for keywords, topics, or phrases, making research and finding relevant information a breeze. This efficiency saves time and effort, streamlining the learning process and allowing individuals to focus on extracting the information they need. Furthermore, the availability of free PDF books and manuals fosters a culture of continuous learning. By removing financial barriers, more people can access educational resources and pursue lifelong learning, contributing to personal growth and professional development. This democratization of knowledge promotes intellectual curiosity and empowers individuals to become lifelong learners, promoting progress and innovation in various fields. It is worth noting that while accessing free Physical Science Memorandum Grade 1for2014 Northen Cape PDF books and manuals is convenient and cost-effective, it is vital to respect copyright laws and intellectual property rights. Platforms offering free downloads often operate within legal boundaries, ensuring that the materials they provide are either in the public domain or authorized for distribution. By adhering to copyright laws, users can enjoy the

benefits of free access to knowledge while supporting the authors and publishers who make these resources available. In conclusion, the availability of Physical Science Memorandum Grade 1for2014 Northen Cape free PDF books and manuals for download has revolutionized the way we access and consume knowledge. With just a few clicks, individuals can explore a vast collection of resources across different disciplines, all free of charge. This accessibility empowers individuals to become lifelong learners, contributing to personal growth, professional development, and the advancement of society as a whole. So why not unlock a world of knowledge today? Start exploring the vast sea of free PDF books and manuals waiting to be discovered right at your fingertips.

FAQs About Physical Science Memorandum Grade 1for2014 Northen Cape Books

1. Where can I buy Physical Science Memorandum Grade 1for2014 Northen Cape books? Bookstores: Physical bookstores like Barnes & Noble, Waterstones, and independent local stores. Online Retailers: Amazon, Book Depository, and various online bookstores offer a wide range of books in physical and digital formats.
2. What are the different book formats available? Hardcover: Sturdy and durable, usually more expensive. Paperback: Cheaper, lighter, and more portable than hardcovers. E-books: Digital books available for e-readers like Kindle or software like Apple Books, Kindle, and Google Play Books.
3. How do I choose a Physical Science Memorandum Grade 1for2014 Northen Cape book to read? Genres: Consider the genre you enjoy (fiction, non-fiction, mystery, sci-fi, etc.). Recommendations: Ask friends, join book clubs, or explore online reviews and recommendations. Author: If you like a particular author, you might enjoy more of their work.
4. How do I take care of Physical Science Memorandum Grade 1for2014 Northen Cape books? Storage: Keep them away from direct sunlight and in a dry environment. Handling: Avoid folding pages, use bookmarks, and handle them with clean hands. Cleaning: Gently dust the covers and pages occasionally.
5. Can I borrow books without buying them? Public Libraries: Local libraries offer a wide range of books for borrowing. Book Swaps: Community book exchanges or online platforms where people exchange books.
6. How can I track my reading progress or manage my book collection? Book Tracking Apps: Goodreads, LibraryThing, and Book Catalogue are popular apps for tracking your reading progress and managing book collections. Spreadsheets: You can create your own spreadsheet to track books read, ratings, and other details.
7. What are Physical Science Memorandum Grade 1for2014 Northen Cape audiobooks, and where can I find them? Audiobooks: Audio recordings of books, perfect for listening while commuting or multitasking. Platforms: Audible,

Physical Science Memorandum Grade 1for2014 Northen Cape

- LibriVox, and Google Play Books offer a wide selection of audiobooks.
8. How do I support authors or the book industry? Buy Books: Purchase books from authors or independent bookstores. Reviews: Leave reviews on platforms like Goodreads or Amazon. Promotion: Share your favorite books on social media or recommend them to friends.
 9. Are there book clubs or reading communities I can join? Local Clubs: Check for local book clubs in libraries or community centers. Online Communities: Platforms like Goodreads have virtual book clubs and discussion groups.
 10. Can I read Physical Science Memorandum Grade 1for2014 Northen Cape books for free? Public Domain Books: Many classic books are available for free as theyre in the public domain. Free E-books: Some websites offer free e-books legally, like Project Gutenberg or Open Library.

Find Physical Science Memorandum Grade 1for2014 Northen Cape :

[peugeot 306 motor manual](#)

pervez n ghauri internationalisation et conquecircte des marcheacutes eacutemergents

[peugeot 206 lx manual](#)

[peugeot 207 cd player manual](#)

[persuasive essay on censorship](#)

[petit livre de la grande guerre](#)

perspectives de leacutecomomie mondiale avril promouvoir les reacuteformes structurelles

peugeot 307 2015 service manual

[petrol lawnmower guide](#)

[persuasive essay grading rubric](#)

[pes 2014 for nokia 200](#)

[peugeot 207cc owners manual 2009](#)

[peter miller la mafia vue de linterieur cinniri t](#)

[peugeot 308 owners handbook](#)

[pet care craft a website for pet lovers](#)

Physical Science Memorandum Grade 1for2014 Northen Cape :

structural steel designer s handbook academia edu - Jun 13 2023

web structural steel designer s handbook see full pdf download pdf see full pdf download pdf related papers structural steel design and construction jaka milyadi download free pdf view pdf section 5 connections steven hernandez download free pdf view pdf aashto lrfd

uss steel design manual by r l brockenbrough open library - Mar 10 2023

web oct 5 2020 uss steel design manual by r l brockenbrough 1968 united states steel corporation edition in english

uss steel design manual 1981 insys fsu edu - Nov 06 2022

web while the unsolicited proposal was us steel rejects cleveland cliffs deal investors keep the faith another rival steel producer has jumped into the bidding war to takeover us steel esmark announced an all cash public offer for us steel for 35 per share on monday esmark said its offer period

uss steel design manual 1981 pdf uniport edu - Jul 02 2022

web uss steel design manual 1981 1 5 downloaded from uniport edu ng on august 24 2023 by guest uss steel design manual 1981 getting the books uss steel design manual 1981 now is not type of inspiring means you could not deserted going afterward books heap or library or borrowing from your contacts to contact them

uss steel design manual bu - May 12 2023

web uss steel design manual uss steel design manual brockenbrough r l publisher united states steel corporation publish date 1968 publish place pittsburgh size 246 p

torsion9 xls excelcalcs - Feb 09 2023

web 1 the simplified torsion analysis used is this program is based on the following reference uss steel design manual 1981 chapter 7 torsion figures 7 9 7 10 pages 157 169 by r l brockenbrough b g johnston 2 this

uss steel design manual 1981 pdf pdf advancement ptsem - Oct 05 2022

web uss steel design manual 1981 pdf 2 7 downloaded from advancement ptsem edu on by guest ensure ductile behavior in any steel structure engineer earthquake resistant structures using today s most advanced ductile steel design techniques this guide gives you the latest seismic resistant design criteria based on research into the recent

uss steel design manual 1981 pdf pdf vodic - Aug 03 2022

web jul 12 2023 uss steel design manual 1981 pdf pdf eventually you will definitely discover a additional experience and completion by spending highly respected authors have reunited to update the well known 1981 edition which is still hailed as one of the best in its field this edition includes recent antenna innovations and applications it features a

uss steel design manual 1981 - Dec 27 2021

web uss steel design manual 1981 oct 11 2022 10 22 140 items part of part of top musical instrument device types microphone manuals uss steel design manual 1981 onkyo ht r540 owners manual a140 service manual blackstar ht 5c

manual milestone xprotect client manual peavey max bass preamp manual security master alarm

uss steel design manual 1981 florida state university - Jun 01 2022

web uss steel design manual 1981 is available in our digital library an online access to it is set as public so you can download it instantly our books collection spans in multiple countries allowing you to get the most less latency time to download any of our books like this one

uss steel design manual 1981 - Jan 28 2022

web title uss steel design manual 1981 author blogs sites post gazette com 2023 09 04t00 00 00 00 01 subject uss steel design manual 1981 keywords

uss steel design manual 1981 blogs post gazette com - Feb 26 2022

web we are the best area to aspiration for your referred book and now your grow old to acquire this uss steel design manual 1981 as one of the compromises has been ready we are coming again the extra gathering that this site has to fixed your curiosity we have the funds for the favorite uss steel design manual 1981 sticker album as the option

uss steel design manual google books - Aug 15 2023

web uss steel design manual authors r l brockenbrough bruce gilbert johnston publisher united states steel corporation 1981 length 260 pages export citation

uss steel design manual 1981 download only - Apr 30 2022

web uss steel design manual 1981 thank you for downloading uss steel design manual 1981 maybe you have knowledge that people have search hundreds times for their chosen readings like this uss steel design manual 1981 but end up in malicious downloads rather than enjoying a good book with a cup of tea in the afternoon instead they juggled

uss steel design manual paperback january 1 1981 - Apr 11 2023

web jan 1 1981 uss steel design manual paperback january 1 1981 by r l brockenbrough author b g johnston author 5 0 2 ratings see all formats and editions

2nd edition steel design resources aisc - Dec 07 2022

web modern steel construction december 2005 title source anchor rods and embedments steel construction manual 13th edition p 14 9 aisc steel design guide no 7 industrial buildings roofs to anchor rods second edition

pdf uss steel design manual 1981 free epub zivranch01 zivtech - Sep 04 2022

web aug 16 2023 pdf uss steel design manual 1981 free epub steel designers manual nov 24 2022 this classic manual on structural steel design provides a major source of reference for structural engineers and fabricators working with the leading construction material

uss steel design manual 1981 2022 wrbb neu - Jan 08 2023

web uss steel design manual 1981 is understandable in our digital library an online access to it is set as public hence you can download it instantly our digital library saves in combined countries allowing you to get the most less latency epoch to download any of our books as soon as this one merely said the uss steel design manual 1981 is

[uss steel design manual 1981 t pin billy](#) - Mar 30 2022

web looking for a uss steel design manual 1981 online fileslib is here to help you save time spent on searching search results include file name description size and number of pages you can either read uss steel design manual 1981 online or download it to your computer download read online uss steel design manual 1981

[uss steel design manual 1981 by mitchellwright4774 issuu](#) - Jul 14 2023

web jul 27 2017 uss steel design manual 1981 save this book to read uss steel design manual 1981 pdf ebook at our online library get uss steel design manual 1981 pdf file for free from our online library

[cosmology for the curious springerlink](#) - May 12 2023

web authors delia perlov alex vilenkin the big questions of cosmology made simple for students and the educated layman alike accessible informative and entertaining with a gripping style and delightful cartoons ideal for a first course in cosmology also for non science majors and high school pupils

[cosmology for the curious undergraduate lecture n by](#) - Jan 08 2023

web mar 4 2023 find many great new used options and get the best deals for cosmology for the curious undergraduate lecture n by vilenkin alex hardback at the best online prices at ebay free shipping for many products

cosmology for the curious undergraduate lecture notes in physics - Jan 28 2022

web buy cosmology for the curious undergraduate lecture notes in physics softcover reprint of the original 1st ed 2017 by perlov delia vilenkin alex isbn 9783319860633 from amazon s book store everyday low prices and free delivery on eligible orders

cosmology for the curious undergraduate lecture n thomas - Feb 09 2023

web this cosmology for the curious undergraduate lecture n by online you might not require more epoch to spend to go to the ebook instigation as skillfully as search for them

cosmologyforthe curious undergraduatelecturen download - Aug 03 2022

web physical foundations of cosmology princeton university press inflationary cosmology has been developed over the last twenty years to remedy serious shortcomings in the standard hot big bang model of the universe this textbook first published in 2005 explains the basis of modern cosmology and shows where the theoretical results come

[cosmology for the curious undergraduate lecture notes in](#) - Aug 15 2023

web cosmology for the curious undergraduate lecture notes in physics perlov delia vilenkin alex amazon com tr kitap

cosmology for the curious undergraduate lecture n copy - Jul 02 2022

web jul 10 2023 cosmology for the curious undergraduate lecture n 2 12 downloaded from uniport edu ng on july 10 2023 by guest physics from 1961 1963 feynman at the california institute of technology delivered a series of lectures that revolutionized the teaching of physics around the world six easy pieces taken from the

cosmology for the curious by delia perlov alex vilenkin - Jun 01 2022

web jul 26 2017 read reviews and buy cosmology for the curious by delia perlov alex vilenkin hardcover at target choose from same day delivery drive up or order pickup free standard shipping with 35 orders expect more pay less

cosmology for the curious undergraduate lecture notes in physics - Jul 14 2023

web cosmology for the curious undergraduate lecture notes in physics hardcover 26 july 2017 this book is a gentle introduction for all those wishing to learn about modern views of the cosmos our universe originated in a great explosion the big bang

what is a good introductory book for cosmology at an undergraduate - Feb 26 2022

web jul 20 2012 as a first text book on cosmology i think its perfect its definitely undergrad level and short enough to read cover to cover i wish there were more books written in a similar style once you have read that you will probably be thirsty to dig a bit deeper weinberg has to be a good option

cosmology for the curious by delia perlov goodreads - Sep 04 2022

web jul 1 2017 the title tells you exactly what you get a book about cosmology for the curious minded it s an introductory undergraduate textbook for liberal arts students and it s appropriate for the curious minded of any age for me it nicely fills the gap between popular science books and texts for specialists gap more like chasm

cosmology for the curious undergraduate lecture notes in physics - Jun 13 2023

web aug 2 2018 cosmology for the curious undergraduate lecture notes in physics softcover reprint of the original 1st ed 2017 edition this book is a gentle introduction for all those wishing to learn about modern views of the cosmos our universe originated in a great explosion the big bang

cosmology for the curious undergraduate lecture n - Apr 30 2022

web cosmology for the curious delia perlov 2017 08 07 this book is a gentle introduction for all those wishing to learn about modern views of the cosmos our universe originated in a great explosion the

cosmology for the curious undergraduate lecture n book - Dec 07 2022

web cosmology for the curious undergraduate lecture n lectures in classical mechanics jun 14 2021 this exceptionally well organized book uses solved problems and exercises to help readers understand the underlying concepts of classical mechanics accordingly many of the exercises included are of a conceptual rather than practical nature

cosmology for the curious undergraduate lecture notes in - Nov 06 2022

web cosmology for the curious undergraduate lecture cosmology for the curious delia perlov springer cosmology for the curious book johnson county library full e book cosmology for the curious undergraduate lecture notes in cosmology oliver piattella springer cosmology physics

cosmology for the curious undergraduate lecture n pdf vpn - Oct 05 2022

web cosmology for the curious undergraduate lecture n an introduction to modern cosmology the cosmic cocktail cosmology for the curious the hidden reality echoes of the ancient skies a journey with fred hoyle a first course in loop quantum gravity cosmology the future of man in the cosmic universe clash of symbols a

cosmology for the curious undergraduate lecture notes in - Mar 10 2023

web amazon in buy cosmology for the curious undergraduate lecture notes in physics book online at best prices in india on amazon in read cosmology for the curious undergraduate lecture notes in physics book reviews author details and more at amazon in free delivery on qualified orders

cosmology for the curious undergraduate lecture n - Apr 11 2023

web blending the latest findings in cosmology with essential concepts from physics lyman page first helps readers to grasp the sheer enormity of the universe explaining how to understand the history of its formation and evolution in space and time *cosmology for the curious undergraduate lecture n john* - Dec 27 2021

web we give cosmology for the curious undergraduate lecture n and numerous books collections from fictions to scientific research in any way among them is this cosmology for the curious undergraduate lecture n that can be your partner an introduction to modern cosmology andrew liddle 2015 04 27

cosmologyforthe curiousundergraduatel ecturen - Mar 30 2022

web cosmology for the curious astronomy general register the cosmic cocktail bulletin mlsa physical foundations of cosmology a journey with fred hoyle the routledge companion to the new cosmology gravity s fatal attraction lectures on cosmology astronomy activity and laboratory manual catalogue of the university of michigan

learning legal rules holland 8th edition - Feb 16 2022

web learning legal rules james a holland 1993 learning legal rules brings together the theory structure and practice of legal reasoning in a readily accessible style the book explains how to find and make use of legal materials and offers an overview of the techniques of legal analysis and argument and

learning legal rules a students guide to legal method and - Jul 24 2022

web buy learning legal rules a students guide to legal method and reasoning 11 by holland james webb julian isbn 9780192849090 from amazon s book store everyday low prices and free delivery on eligible orders

learning legal rules a students guide to legal method and - Aug 05 2023

web bringing together the theory structure and practice of legal reasoning in an accessible style this book explains how to uncover and exploit the mysteries of legal materials it draws the student into the techniques of legal analysis and argument and the operation of precedent and statutory interpretation

learning legal rules holland james webb julian - Nov 27 2022

web may 30 2016 learning legal rules holland james webb julian on amazon com free shipping on qualifying offers learning legal rules

holland and webb learning legal rules 10e oxford university - Apr 20 2022

web holland and webb student resources to accompany learning legal rules 10th edition multiple choice questions answers to the in book exercises web links using ha

learning legal rules by holland james webb julian abebooks - May 22 2022

web learning legal rules a student s guide to legal method and reasoning 5th edition james a holland julian webb published by oxford university press 2003 isbn 10 0199254826 isbn 13 9780199254828 learning legal rules 4th ed holland james a webb j and templeman the right honourable lord

pdf learning legal rules a student s guide to legal method - Jun 22 2022

web aug 25 2023 this is free download learning legal rules a student s guide to legal method and reasoning by james a holland complete book soft copy download book learning legal rules a student s guide to legal method and reasoning by author james a holland in pdf epub

learning legal rules a students guide to legal method and - Jul 04 2023

web julian webb oxford university press 2019 law 393 pages written by leading authors with extensive experience in both teaching and practice this established and trusted title equips the student

oxford university press homepage - Apr 01 2023

web oxford university press homepage

learning legal rules a students guide to legal method and - Oct 27 2022

web jul 11 2013 learning legal rules has been used in common law countries around the world as a leading legal method guide for over twenty years online resource centre learning legal rules is accompanied by an online resource centre which provides self test questions and web links for students james holland julian webb edition

learning legal rules amazon co uk holland james webb - Aug 25 2022

web may 13 2010 learning legal rules a students guide to legal method and reasoning 34 99 6 in stock learning legal rules brings together the theory structure and practice of legal reasoning in a readily accessible style the book explains how to

uncover and exploit the mysteries of legal materials

learning legal rules google books - May 02 2023

web learning legal rules a students guide to legal method and reasoning james holland julian s webb oxford university press 2016 law 423 pages

learning legal rules google books - Jan 30 2023

web learning legal rules a student s guide to legal method and reasoning james a holland julian s webb blackstone press 1993 court interpreting and translating 300 pages learning

learning legal rules paperback james holland julian webb - Sep 06 2023

web a students guide to legal method and reasoning eleventh edition james holland and julian webb 22 june 2022 isbn 9780192849090 416 pages paperback 246x171mm in stock price 37 99 the most trusted legal method textbook by expert authors giving students a solid grounding to excel in their degrees

learning legal rules holland james webb julian - Dec 29 2022

web jul 29 2010 there is a newer edition of this item learning legal rules a students guide to legal method and reasoning 45 55 4 only 2 left in stock order soon learning legal rules brings together the theory structure and practice of legal reasoning in a readily accessible style the book explains how to uncover and exploit the mysteries

learning legal rules a students guide to legal method and - Oct 07 2023

web learning legal rules brings together the theory structure and practice of legal reasoning in order to help the reader to develop both their knowledge and reasoning skills it provides techniques of legal research analysis and argument and explains the operation of precedent as well as effective statutory interpretation

learning legal rules james a holland law teacher julian s - Sep 25 2022

web may 13 2010 james a holland law teacher julian s webb oup oxford may 13 2010 law 408 pages learning legal rules brings together the theory structure and practice of legal reasoning in a

learning legal rules a students guide to legal method and - Mar 20 2022

web apr 7 2016 buy learning legal rules a students guide to legal method and reasoning 9 by holland james webb julian isbn 9780198728436 from amazon s book store everyday low prices and free delivery on eligible orders

learning legal rules by holland james a llb phd open library - Feb 28 2023

web dec 14 2020 october 7 2008 created by importbot imported from library of congress marc record learning legal rules by holland james a llb phd james a holland julian s webb j webb 2006 oxford university press edition in english 6th ed

learning legal rules by james holland open library - Jun 03 2023

web nov 1 2022 imported from better world books record learning legal rules by james holland julian webb 2022 oxford

university press edition in english