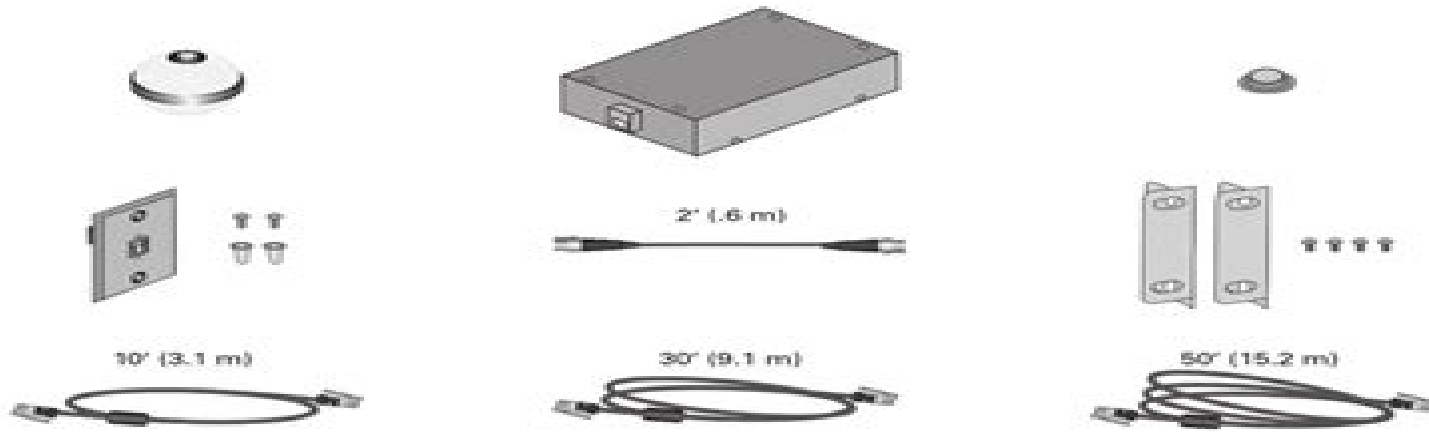




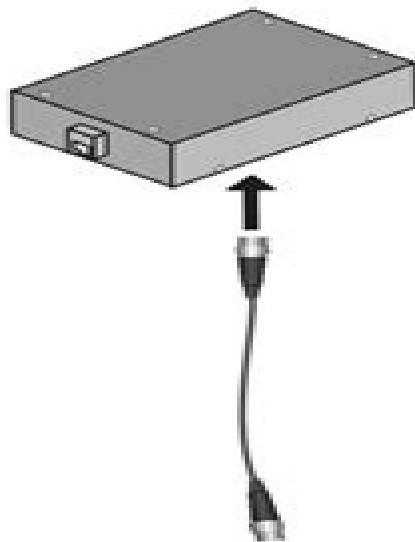
Setting up the Polycom VSX Ceiling Microphone Array



1



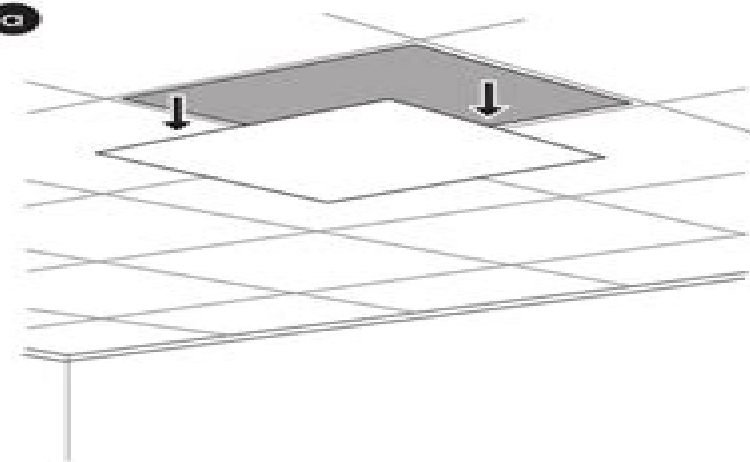
2



3

For suspended ceilings.

a



www.polycom.com

© 2006, Polycom, Inc. All rights reserved. Polycom® and the Polycom logo are registered trademarks and VSX™ is a trademark of Polycom, Inc.

1725-24157-001/A



Polycom Vsx 5000 Manual

Brendan G. Carr



Polycom Vsx 5000 Manual:

The book delves into Polycom Vsx 5000 Manual. Polycom Vsx 5000 Manual is an essential topic that must be grasped by everyone, ranging from students and scholars to the general public. This book will furnish comprehensive and in-depth insights into Polycom Vsx 5000 Manual, encompassing both the fundamentals and more intricate discussions.

1. The book is structured into several chapters, namely:
 - Chapter 1: Introduction to Polycom Vsx 5000 Manual
 - Chapter 2: Essential Elements of Polycom Vsx 5000 Manual
 - Chapter 3: Polycom Vsx 5000 Manual in Everyday Life
 - Chapter 4: Polycom Vsx 5000 Manual in Specific Contexts
 - Chapter 5: Conclusion
2. In chapter 1, this book will provide an overview of Polycom Vsx 5000 Manual. This chapter will explore what Polycom Vsx 5000 Manual is, why Polycom Vsx 5000 Manual is vital, and how to effectively learn about Polycom Vsx 5000 Manual.
3. In chapter 2, the author will delve into the foundational concepts of Polycom Vsx 5000 Manual. The second chapter will elucidate the essential principles that must be understood to grasp Polycom Vsx 5000 Manual in its entirety.
4. In chapter 3, the author will examine the practical applications of Polycom Vsx 5000 Manual in daily life. This chapter will showcase real-world examples of how Polycom Vsx 5000 Manual can be effectively utilized in everyday scenarios.
5. In chapter 4, the author will scrutinize the relevance of Polycom Vsx 5000 Manual in specific contexts. The fourth chapter will explore how Polycom Vsx 5000 Manual is applied in specialized fields, such as education, business, and technology.
6. In chapter 5, the author will draw a conclusion about Polycom Vsx 5000 Manual. The final chapter will summarize the key points that have been discussed throughout the book.

The book is crafted in an easy-to-understand language and is complemented by engaging illustrations. This book is highly recommended for anyone seeking to gain a comprehensive understanding of Polycom Vsx 5000 Manual.

<https://crm.avenza.com/book/browse/default.aspx/reset%20blackberry%20curve%209330%20factory%20settings.pdf>

Table of Contents Polycom Vsx 5000 Manual

1. Understanding the eBook Polycom Vsx 5000 Manual

- The Rise of Digital Reading Polycom Vsx 5000 Manual
- Advantages of eBooks Over Traditional Books
- 2. Identifying Polycom Vsx 5000 Manual
 - Exploring Different Genres
 - Considering Fiction vs. Non-Fiction
 - Determining Your Reading Goals
- 3. Choosing the Right eBook Platform
 - Popular eBook Platforms
 - Features to Look for in an Polycom Vsx 5000 Manual
 - User-Friendly Interface
- 4. Exploring eBook Recommendations from Polycom Vsx 5000 Manual
 - Personalized Recommendations
 - Polycom Vsx 5000 Manual User Reviews and Ratings
 - Polycom Vsx 5000 Manual and Bestseller Lists
- 5. Accessing Polycom Vsx 5000 Manual Free and Paid eBooks
 - Polycom Vsx 5000 Manual Public Domain eBooks
 - Polycom Vsx 5000 Manual eBook Subscription Services
 - Polycom Vsx 5000 Manual Budget-Friendly Options
- 6. Navigating Polycom Vsx 5000 Manual eBook Formats
 - ePub, PDF, MOBI, and More
 - Polycom Vsx 5000 Manual Compatibility with Devices
 - Polycom Vsx 5000 Manual Enhanced eBook Features
- 7. Enhancing Your Reading Experience
 - Adjustable Fonts and Text Sizes of Polycom Vsx 5000 Manual
 - Highlighting and Note-Taking Polycom Vsx 5000 Manual
 - Interactive Elements Polycom Vsx 5000 Manual
- 8. Staying Engaged with Polycom Vsx 5000 Manual
 - Joining Online Reading Communities
 - Participating in Virtual Book Clubs
 - Following Authors and Publishers Polycom Vsx 5000 Manual

9. Balancing eBooks and Physical Books Polycom Vsx 5000 Manual
 - Benefits of a Digital Library
 - Creating a Diverse Reading Collection Polycom Vsx 5000 Manual
10. Overcoming Reading Challenges
 - Dealing with Digital Eye Strain
 - Minimizing Distractions
 - Managing Screen Time
11. Cultivating a Reading Routine Polycom Vsx 5000 Manual
 - Setting Reading Goals Polycom Vsx 5000 Manual
 - Carving Out Dedicated Reading Time
12. Sourcing Reliable Information of Polycom Vsx 5000 Manual
 - Fact-Checking eBook Content of Polycom Vsx 5000 Manual
 - Distinguishing Credible Sources
13. Promoting Lifelong Learning
 - Utilizing eBooks for Skill Development
 - Exploring Educational eBooks
14. Embracing eBook Trends
 - Integration of Multimedia Elements
 - Interactive and Gamified eBooks

Polycom Vsx 5000 Manual Introduction

In today's digital age, the availability of Polycom Vsx 5000 Manual books and manuals for download has revolutionized the way we access information. Gone are the days of physically flipping through pages and carrying heavy textbooks or manuals. With just a few clicks, we can now access a wealth of knowledge from the comfort of our own homes or on the go. This article will explore the advantages of Polycom Vsx 5000 Manual books and manuals for download, along with some popular platforms that offer these resources. One of the significant advantages of Polycom Vsx 5000 Manual books and manuals for download is the cost-saving aspect. Traditional books and manuals can be costly, especially if you need to purchase several of them for educational or professional purposes. By accessing Polycom Vsx 5000 Manual versions, you eliminate the need to spend money on physical copies. This not only saves you money but also reduces the environmental impact associated with book production and transportation. Furthermore, Polycom Vsx 5000 Manual books and manuals for download are incredibly

convenient. With just a computer or smartphone and an internet connection, you can access a vast library of resources on any subject imaginable. Whether you're a student looking for textbooks, a professional seeking industry-specific manuals, or someone interested in self-improvement, these digital resources provide an efficient and accessible means of acquiring knowledge. Moreover, PDF books and manuals offer a range of benefits compared to other digital formats. PDF files are designed to retain their formatting regardless of the device used to open them. This ensures that the content appears exactly as intended by the author, with no loss of formatting or missing graphics. Additionally, PDF files can be easily annotated, bookmarked, and searched for specific terms, making them highly practical for studying or referencing. When it comes to accessing Polycom Vsx 5000 Manual books and manuals, several platforms offer an extensive collection of resources. One such platform is Project Gutenberg, a nonprofit organization that provides over 60,000 free eBooks. These books are primarily in the public domain, meaning they can be freely distributed and downloaded. Project Gutenberg offers a wide range of classic literature, making it an excellent resource for literature enthusiasts. Another popular platform for Polycom Vsx 5000 Manual books and manuals is Open Library. Open Library is an initiative of the Internet Archive, a non-profit organization dedicated to digitizing cultural artifacts and making them accessible to the public. Open Library hosts millions of books, including both public domain works and contemporary titles. It also allows users to borrow digital copies of certain books for a limited period, similar to a library lending system. Additionally, many universities and educational institutions have their own digital libraries that provide free access to PDF books and manuals. These libraries often offer academic texts, research papers, and technical manuals, making them invaluable resources for students and researchers. Some notable examples include MIT OpenCourseWare, which offers free access to course materials from the Massachusetts Institute of Technology, and the Digital Public Library of America, which provides a vast collection of digitized books and historical documents. In conclusion, Polycom Vsx 5000 Manual books and manuals for download have transformed the way we access information. They provide a cost-effective and convenient means of acquiring knowledge, offering the ability to access a vast library of resources at our fingertips. With platforms like Project Gutenberg, Open Library, and various digital libraries offered by educational institutions, we have access to an ever-expanding collection of books and manuals. Whether for educational, professional, or personal purposes, these digital resources serve as valuable tools for continuous learning and self-improvement. So why not take advantage of the vast world of Polycom Vsx 5000 Manual books and manuals for download and embark on your journey of knowledge?

FAQs About Polycom Vsx 5000 Manual Books

What is a Polycom Vsx 5000 Manual PDF? A PDF (Portable Document Format) is a file format developed by Adobe that

preserves the layout and formatting of a document, regardless of the software, hardware, or operating system used to view or print it. **How do I create a Polycom Vsx 5000 Manual PDF?** There are several ways to create a PDF: Use software like Adobe Acrobat, Microsoft Word, or Google Docs, which often have built-in PDF creation tools. Print to PDF: Many applications and operating systems have a "Print to PDF" option that allows you to save a document as a PDF file instead of printing it on paper. Online converters: There are various online tools that can convert different file types to PDF. **How do I edit a Polycom Vsx 5000 Manual PDF?** Editing a PDF can be done with software like Adobe Acrobat, which allows direct editing of text, images, and other elements within the PDF. Some free tools, like PDFescape or Smallpdf, also offer basic editing capabilities. **How do I convert a Polycom Vsx 5000 Manual PDF to another file format?** There are multiple ways to convert a PDF to another format: Use online converters like Smallpdf, Zamzar, or Adobe Acrobats export feature to convert PDFs to formats like Word, Excel, JPEG, etc. Software like Adobe Acrobat, Microsoft Word, or other PDF editors may have options to export or save PDFs in different formats. **How do I password-protect a Polycom Vsx 5000 Manual PDF?** Most PDF editing software allows you to add password protection. In Adobe Acrobat, for instance, you can go to "File" -> "Properties" -> "Security" to set a password to restrict access or editing capabilities. Are there any free alternatives to Adobe Acrobat for working with PDFs? Yes, there are many free alternatives for working with PDFs, such as: LibreOffice: Offers PDF editing features. PDFsam: Allows splitting, merging, and editing PDFs. Foxit Reader: Provides basic PDF viewing and editing capabilities. How do I compress a PDF file? You can use online tools like Smallpdf, ILovePDF, or desktop software like Adobe Acrobat to compress PDF files without significant quality loss. Compression reduces the file size, making it easier to share and download. Can I fill out forms in a PDF file? Yes, most PDF viewers/editors like Adobe Acrobat, Preview (on Mac), or various online tools allow you to fill out forms in PDF files by selecting text fields and entering information. Are there any restrictions when working with PDFs? Some PDFs might have restrictions set by their creator, such as password protection, editing restrictions, or print restrictions. Breaking these restrictions might require specific software or tools, which may or may not be legal depending on the circumstances and local laws.

Find Polycom Vsx 5000 Manual :

reset blackberry curve 9330 factory settings

reproductive system diagram unlabeled and answers

report on organisational culture of adobe systems

reset bmw e36 oil service light toyota

reshonda tate billingsley books

research analyst test preparation study guide

report on credits granted and outstanding

report on car transportation

research aptitude objective type questions and answers

resisting temptation sullivan brothers book 2 dane s story

rescued by an alpha part english edition

repossessed atvs user guide

research papers on war

report workmans comp fraud

resepsun as za 2011 report for npc

Polycom Vsx 5000 Manual :

topographische karten thüringen südliches harzvor - Mar 20 2022

web oct 30 2023 topographische karten thüringen südliches harzvor geotopschutz und seine rechtlichen grundlagen geologie von thüringen südharz und kyffhäuser landschaftsgeschichte norddeutschlands das eiszeitalter die wichtigsten pflanzengesellschaften der moore nw europas das eiszeitalter vegetation und klima

topographische karten thüringen südliches harzvor - Sep 25 2022

web topographische karten thüringen südliches harzvor 1 topographische karten thüringen südliches harzvor impact of seed and microsite limitation on species diversity in fen grasslands peatland ecosystems and man any kind of dog topographische karten thüringen südliches harzvor downloaded from

topographische karten thüringen südliches harzvorland topographische - Apr 01 2023

web june 3rd 2020 topographische karten thüringen mittleres elstertal topographische karten thüringen freizeit undwanderkarten 150000 topographische karten thüringen rennsteig 5 bl topographische karten thüringen freizeit und waderkarten 150000 topographische karten thüringen südliches harzvorland topographische karten

topographische karten thüringen südliches harzvorland topographische - Aug 25 2022

web topographische karten thüringen südliches harzvorland topographische karten thüringen freizeit und wanderkarten 150000 pdf online topographische landeskarte 1400000 land brandenburg normalausgabe topographische landeskarten brandenburg pdf online topographische karten thüringen mittleres elstertal

topographische karten thüringen südliches harzvorland 1 50 - Sep 06 2023

web topographische karten thüringen südliches harzvorland 1 50 000 topographische karten thüringen freizeit und wanderkarten 1 50 000 thüringer landesamt für vermessung und geoinformation isbn 9783861402442 kostenloser versand

für alle bücher mit versand und verkauf durch amazon

topographische karten thuringen zvb - Jan 30 2023

web die topographische karte 1 25 000 tk25 dient der sehr genauen u detaillierten abbildung der geländeformen topografie und anderer sichtbarer details der erdoberfläche straßen bahnlinsen größere gebäude die umrisse von ortschaften und andere technische sachverhalte wie grenzen wasserläufe oder stromleitungen werden

topographische karten thüringen südliches harzvorland topographische - Nov 27 2022

web topographische karten thuringen mittleres elstertal topographische karten thuringen freizeit undwanderkarten 150000

topographische karten thuringen rennsteig 5 bl topographische karten thuringen freizeit und waderkarten 150000

topographische karten thuringen sudliches harzvorland topographische karten thuringen reizeit nd

topographische karten thuringen sudliches harzvor - May 02 2023

web topographische karten thuringen sudliches harzvor 1 topographische karten thuringen sudliches harzvor right here we have countless books topographische karten thuringen sudliches harzvor and collections to check out we additionally offer variant types and also type of the books to browse the agreeable book fiction

topographische karten thuringen sudliches harzvor pdf - Feb 16 2022

web we provide topographische karten thuringen sudliches harzvor and numerous ebook collections from fictions to scientific research in any way in the middle of them is this topographische karten thuringen sudliches harzvor that can be your partner

topographische karten thuringen sudliches harzvor pdf - Jun 22 2022

web topographische karten thuringen sudliches harzvor 1 topographische karten thuringen sudliches harzvor this is likewise one of the factors by obtaining the soft documents of this topographische karten thuringen sudliches harzvor by online you might not require more period to spend to go to the book opening as skillfully as search

topographische karten tlb online shop thuringen de - Jun 03 2023

web onlineshop topographische karten maßstab 1 10 000 1 25 000 1 50 000 1 100 000 ort gemeinde straße hausnummer sie sind nicht angemeldet anmelden servicekonto registrieren der warenkorb ist leer der freistaat thüringen in den sozialen netzwerken

topographische karten thuringen sudliches harzvor pdf - Jul 24 2022

web jul 27 2023 we meet the expense of topographische karten thuringen sudliches harzvor pdf and numerous book collections from fictions to scientific research in any way in the course of them is this topographische karten thuringen sudliches harzvor pdf that can be your partner peatland ecosystems and man o m bragg 1992 impact of seed

topographische karten thüringen westlicher thüringer amazon de - Dec 29 2022

web topographische karten thüringen westlicher thüringer wald wander und radwanderkarte 1 50 000 topographische

karten thüringen freizeit und wanderkarten 1 50 000 thüringer landesamt für vermessung und geoinformation amazon de
bücher bücher reise abenteuer sonderreisen neu 6 50

[download solutions topographische karten thuringen sudliches harzvor](#) - Oct 27 2022

web topographische karten thuringen sudliches harzvor spruner menke hand atlas für die geschichte des mittelalters und der
neueren zeit jan 01 2023 thüringen mar 30 2020 geowissenschaften und bergbaugeschichte in der dreiländer region hessen
thüringen niedersachsen mar 23 2022 verzeichnis lieferbarer bücher apr 23 2022

topographische karten thuringen sudliches harzvor - Jul 04 2023

web inside their computer topographische karten thuringen sudliches harzvor is understandable in our digital library an
online admission to it is set as public fittingly you can download it instantly our digital library saves in compound countries
allowing you to get the most less latency time to download any of our books taking into account

[topographische karten thuringen sudliches harzvor pdf](#) - Aug 05 2023

web topographische karten thuringen sudliches harzvor 1 topographische karten thuringen sudliches harzvor das eiszeitalter
peatland ecosystems and man any kind of dog topographische karten thuringen sudliches harzvor downloaded from old
syndeohro com by guest chavez yareli das eiszeitalter harper trophy richard

[topographische landeskartenwerke thüringer landesamt für](#) - Oct 07 2023

web topographische landeskartenwerke die topographischen landeskartenwerke bilden das territorium des freistaates
thüringen auf topographischen karten flächendeckend ab folgende maßstabsreihen sind verfügbar

[topographische karten thuringen sudliches harzvor pdf](#) - Feb 28 2023

web jun 12 2023 topographische karten thuringen sudliches harzvor 1 1 downloaded from uniport edu ng on june 12 2023
by guest topographische karten thuringen sudliches harzvor when people should go to the book stores search opening by
shop shelf by shelf it is in point of fact problematic this is why we present the book compilations in this

topographische karte stock fotos und bilder getty images - May 22 2022

web 45 682 fotos und hochauflösende bilder zu topographische karte durchstöbern sie 45 682 topographische karte fotos
und bilder oder suchen sie nach topographic map oder landkarte um noch mehr faszinierende fotos und bilder zu entdecken
finden sie stock fotos zum thema topographische karte sowie redaktionelle newsbilder von

[topographische karten thuringen sudliches harzvor](#) - Apr 20 2022

web topographische karten thuringen sudliches harzvor download only wrbb neu edu author hayden reyes subject impact of
seed and microsite limitation on species diversity in fen grasslands created date 5 26 2023 1 02 01 pm

[breaking ground the call of the wild apple michael](#) - May 03 2023

web find helpful customer reviews and review ratings for the call of the wild green apple step two at amazon com read

honest and unbiased product reviews from our users

[9788877548597 the call of the wild green apple step two](#) - Dec 30 2022

web the call of the wild buch mit audio cd black cat green apple step 2 london jack isbn 9783526520818 kostenloser versand für alle bücher mit versand und verkauf

[the call of the wild buch mit audio cd black cat green apple](#) - Nov 28 2022

web starting at 0 99 the call of the wild and white fang

the call of the wild illustrated apple books - Mar 21 2022

web oct 2 2023 the klondike gold rush is on this is a gripping survival story of a heroic dog named buck and the one man he will accept as his master john thornton london

the call of the wild apple tv si - Feb 17 2022

web apr 25 1993 starring erick mccormack ricky schroder episodes call of the wild john thornton a man in his early twenties ventures into the rugged snow covered yukon and meets a dog name buck encounters many adventures and discovers that true wealth lies not in the lure of riches but in the dignity and integrity of friendship and loyalty

go behind the scenes to see how the call of the wild went - Oct 16 2021

[green apple the call of the wild audio cd alibris](#) - Sep 26 2022

web the call of the wild green apple con audio scaricabile lingua inglese the call of the wild audio cd di london isbn 10 8877548592 isbn 13 9788877548597 black

[amazon com customer reviews the call of the wild green](#) - Apr 02 2023

web buy green apple the call of the wild audio cd by london jack clemen gina d b online on amazon ae at best prices fast and free shipping free returns cash on delivery

the call of the wild apple tv tr - Jun 23 2022

web apr 12 2023 call of the wild on apple podcasts 28 episodes nature is in crisis and this affect all of us the environmental challenges that we face from deforestation to climate change are threatening our wildlife biodiversity and

call of the wild apple tv - Dec 18 2021

web jun 5 2020 the call of the wild follows john thornton played by harrison ford as he treks across the yukon territory during the klondike gold rush of the 1890s a story of

[the call of the wild apple tv](#) - Oct 28 2022

web find books like the call of the wild green apple from the world s largest community of readers goodreads members who liked the call of the wild green

the call of the wild green apple open library - Sep 07 2023

web jan 1 2008 the call of the wild green apple step two pocket book january 1 2008 by gina d b clemen adapter jack london author 4 6 4 6 out of 5 stars 11 829 ratings

call of the wild on apple podcasts - Apr 21 2022

web buck is a big hearted dog whose blissful domestic life gets turned upside down when he is suddenly uprooted from his california home and transplanted

green apple the call of the wild audio cd amazon in - Jun 04 2023

web nov 5 1998 the recent discovery of the apple s center of diversity as botanists call such a place was actually a rediscovery in 1929 nikolai i vavilov the great russian

the call of the wild apple tv au - Nov 16 2021

web the call of the wild available on itunes disney adapted from jack london s beloved literary classic the call of the wild vividly brings to life the story of a big hearted dog named buck and john thornton harrison ford the man buck must learn to trust

green apple the call of the wild amazon co uk - Jul 05 2023

web green apple the call of the wild audio cd pocket book import 10 may 2012 by jack london author gina d b clemen author 4 4 4 4 out of 5 stars 11 707 ratings

green apple the call of the wild amazon ae - Mar 01 2023

web 6 the call of the wild arbors green pastures orchards and berry patches then there was the pumping plant for the artesian well and the big cement tank where judge miller s boys took their morning plunge and kept cool in the hot afternoon and over this great demesne buck ruled here he was born and here

the call of the wild green apple step two pocket book - Aug 06 2023

web may 10 2012 buy green apple the call of the wild audio cd green apple step two by london jack clemen gina d b isbn 9788877548597 from amazon s book store

the call of the wild apple tv ca - Sep 14 2021*the call of the wild green apple con audio scaricabile lingua* - Jul 25 2022

web sep 15 2023 the call of the wild novel by jack london published serially by the saturday evening post in 1903 and then as a single volume book by macmillan co

the call of the wild green apple by gina d b clemen - Oct 08 2023

web jan 31 2005 created by an anonymous user imported from amazon com record the call of the wild by gina d b clemen

jack london january 31 2005 cideb editrice

[the call of the wild on apple books](#) - Jan 19 2022

web the call of the wild apple tv au view in itunes available on itunes disney buck is a big hearted dog whose blissful domestic life gets turned upside down when he is

[books similar to the call of the wild green apple goodreads](#) - Aug 26 2022

web the call of the wild apple tv tr available on itunes in the canadian yukon in the 1890s the gold rush is happening at this time the sled dogs who can cover the tough

the call of the wild summary characters facts britannica - May 23 2022

web the call of the wild is a novel by american writer jack london the plot concerns a previously domesticated dog named buck whose primordial instincts return after a

[the call of the wild the public s library and digital archive](#) - Jan 31 2023

web abebooks com the call of the wild green apple step two 9788877548597 by london jack and a great selection of similar new used and collectible books available

dexter gordon a night in tunisia solo transcription - Nov 05 2022

web may 1 2023 a night in tunisia trumpet solo transcription is a classic jazz standard composed by dizzy gillespie in 1942 it has become one of the most popular and

solo transcription from a night in tunisia youtube - Oct 04 2022

web may 25 2023 purchase this transcription here bass clef wayopay com p johnson jj a night in tunisia bc by rob egerton jazz transcription 11304bb treble clef htt

[a night in tunisia musescore com](#) - Dec 26 2021

web a night in tunisia piano transcription a night in tunisia piano vocal guitar chords right hand melody a night in tunisia real book melody chords bass

[a night in tunisia wikipedia](#) - Dec 06 2022

web about five years ago i started working on a transcription of an incredible solo by michael brecker over a night in tunisia chaka kahn calls it the melody still lingers on

a night in tunisia sheet music for tenor saxophone solo - Nov 24 2021

a night in tunisia sheet music for piano solo - Jan 07 2023

web jun 19 2015 a night in tunisia dizzy gillespie dexter gordon solo transcriptionform his album our man in paris david valles guitarvideo mónica garcía rojas

[nightintunisia artblakey a night in tunisia art blakey drum](#) - May 31 2022

web feb 28 2018 download and print in pdf or midi free sheet music for a night in tunisia by dizzy gillespie arranged by ericfontainejazz for piano solo a night in tunisia

[michael brecker transcription a night in tunisia chaka kahn](#) - Sep 03 2022

web aug 2 2020 a night in tunisia art blakey the jazz messengers writers jon hendricks frank paparelli dizzy gillespie i play with backing track which is tempo 230 the original

a night in tunisia trumpet transcription print sheet music now - Feb 08 2023

web a night in tunisia is a musical composition written by american trumpeter dizzy gillespie around 1940 1942 he wrote it while he was playing with the benny carter

[night in tunisia digital recording wikipedia](#) - Mar 29 2022

web a night in tunisia dizzy gillespie big band mixed ensemble saxophone alto 2 saxophone tenor 2 and 7 more 14 votes a night in tunisia dizzy gillespie solo

a night in tunisia jazz solo piano project download for free - Apr 10 2023

web upload and print in pdf otherwise midi free blanket sound for a night the home by giddiness gillespie arranged at musejazz for piano solo night in tunisia charlie

a night in tunisia sheet music for piano solo musescore com - Feb 25 2022

web download the high quality pdf file stan getz a night in tunisia for tenor saxophone solo transcription intermediate tenor sax transcription sheet music high quality and

dizzy gillespie a night in tunisia solo transcription youtube - Jul 13 2023

web dec 5 2014 sheet music link imgur com yvzsdaz

a night in tunisia trumpet solo transcription music instruments - Aug 02 2022

web dizzy gillespie a night in tunisia for trumpet solo intermediate trumpet sheet music high quality and interactive transposable in any key play along includes an high

dizzy gillespie a night in tunisia erik veldkamp - May 11 2023

web apr 3 2021 i ve arranged one of my favourite tune a night in tunisia by dizzy gillespie in this time i focus on keeping it simple there are signature bass line and

a night in tunisia sheet music for trumpet solo pdf v2 - Apr 29 2022

web may 18 2021 download and print in pdf or midi free sheet music for a night in tunisia by dizzy gillespie arranged by daves920 for piano trumpet in b flat bass guitar jazz

[night in tunisia charlie parker solo transcription with piano](#) - Mar 09 2023

web a night in tunisia alto sax solo a night in tunisia alto sax transcription a night in tunisia alto sax transcription a night in tunisia beginner piano a night in

jj johnson a night in tunisia trombone solo transcription - Jul 01 2022

web night in tunisia digital recording night in tunisia digital recording is an album by drummer art blakey and the jazz messengers recorded in japan in 1979 and released

a night in tunisia dizzy gillespie musescore com - Jan 27 2022

web jan 12 2022 download and print in pdf or midi free sheet music for a night in tunisia by dizzy gillespie arranged by ferdi büchner for piano jazz band a night in tunisia

charlie parker night in tunisia transcription - Jun 12 2023

web jul 23 2016 dizzy gillespie a night in tunisia a night in tunisia played by the master himself is one of greatest jazz trumpet solos ever played if you ask me so it was

a night in tunisia lead sheet with lyrics musescore com - Oct 24 2021

night in tunisia charlie parker solo transcription with piano - Aug 14 2023

web mar 23 2022 download and print in pdf or midi free sheet music for a night in tunisia by dizzy gillespie arranged by musejazz for piano solo night in tunisia charlie

a night in tunisia alto sax solo print sheet music now - Sep 22 2021