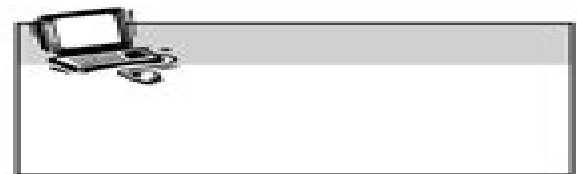
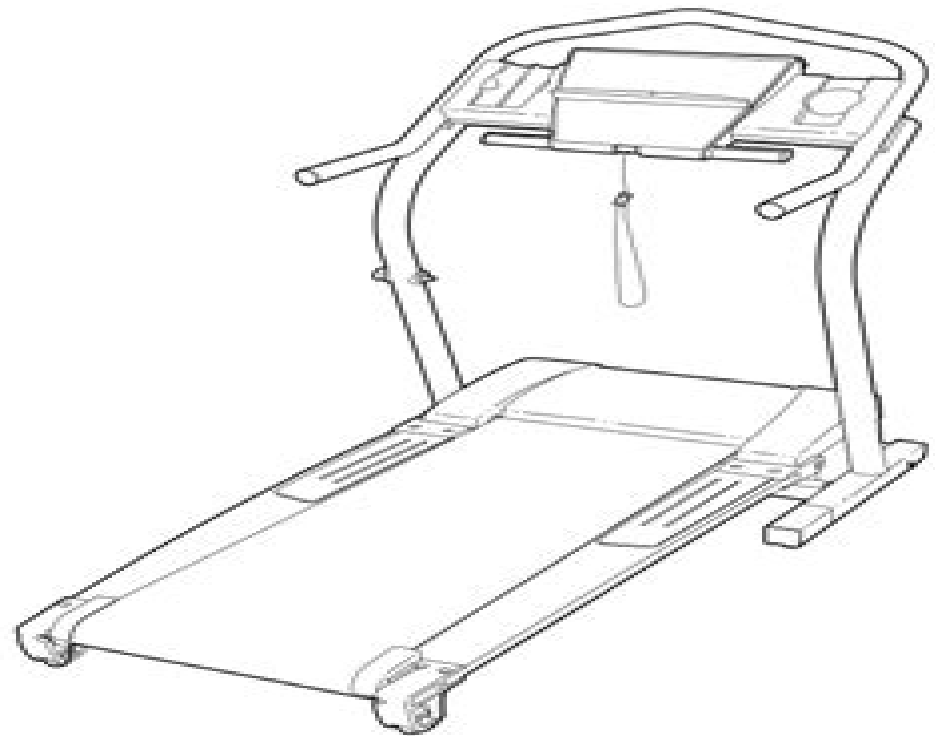
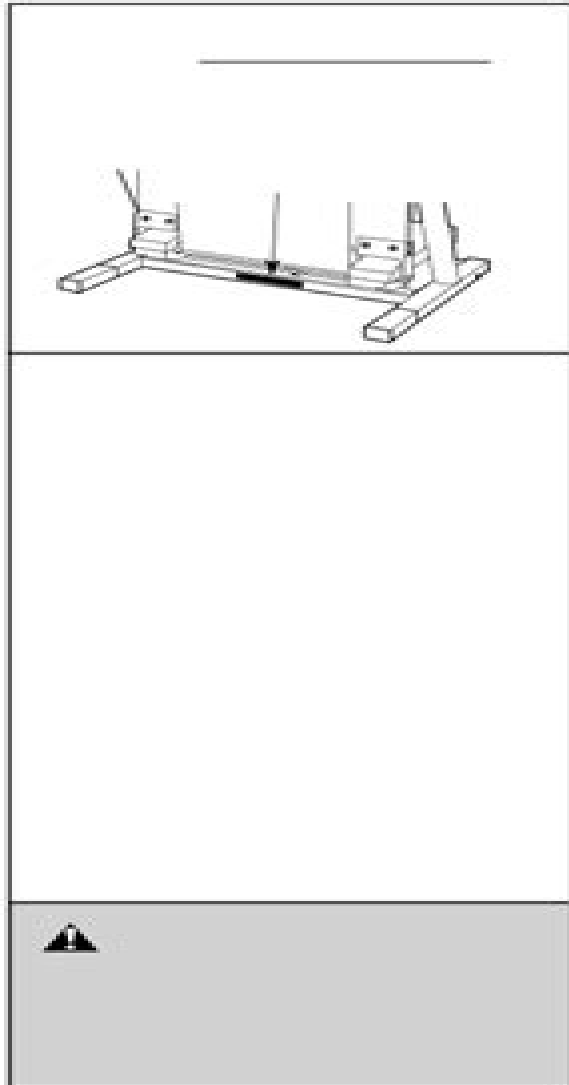


NordicTrack **2500 R**



Nordictrack 2500 Manual Guide

Wenbin Ji



Nordictrack 2500 Manual Guide:

Popular Photography ,1992-08 **Popular Science** ,1994-10 Popular Science gives our readers the information and tools to improve their technology and their world The core belief that Popular Science and our readers share The future is going to be better and science and technology are the driving forces that will help make it better *Flying Magazine* ,1991-10 **Backpacker** ,1994-03 Backpacker brings the outdoors straight to the reader s doorstep inspiring and enabling them to go more places and enjoy nature more often The authority on active adventure Backpacker is the world s first GPS enabled magazine and the only magazine whose editors personally test the hiking trails camping gear and survival tips they publish Backpacker s Editors Choice Awards an industry honor recognizing design feature and product innovation has become the gold standard against which all other outdoor industry awards are measured *Popular Photography* ,1992-07

Popular Photography ,1992-11 **Vegetarian Times** ,1994-03 To do what no other magazine does Deliver simple delicious food plus expert health and lifestyle information that s exclusively vegetarian but wrapped in a fresh stylish mainstream package that s inviting to all Because while vegetarians are a great vital passionate niche their healthy way of eating and the earth friendly values it inspires appeals to an increasingly large group of Americans VT s goal To embrace both *Consulting-specifying Engineer* ,1994 *Who's who in American Law* ,1998 **2022 GMC Sierra Denali 2500 HD Owner Manual Compatible with OEM Owners Manual, Factory Glovebox Book** Helming,2022-10-22 **Track** William Barclay Parsons,1886 *Master Guide Training Course Manual and Study Outline* ,194? *Track* William Barclay Parsons,2013-11 This is a reproduction of a book published before 1923 This book may have occasional imperfections such as missing or blurred pages poor pictures errant marks etc that were either part of the original artifact or were introduced by the scanning process We believe this work is culturally important and despite the imperfections have elected to bring it back into print as part of our continuing commitment to the preservation of printed works worldwide We appreciate your understanding of the imperfections in the preservation process and hope you enjoy this valuable book *Train Operator's Manual* Thrall Car Manufacturing Company,1986 *The Road-Master's Assistant and Section-Master's Guide* William S. Huntington,2015-07-27 Excerpt from *The Road Master s Assistant and Section Master s Guide A Manual of Reference for All Having to Do With the Permanent Way of American Railroads* With the introduction of the T rail in this country a certain method of layin g track was adopted and with few exceptions has been adhered to until the present day and so with track repairs It may be said that track men fell into a groove thirty years ago and are still following it to the great detriment Of rail road shareholders and of the public at large About the Publisher Forgotten Books publishes hundreds of thousands of rare and classic books Find more at www.forgottenbooks.com This book is a reproduction of an important historical work Forgotten Books uses state of the art technology to digitally reconstruct the work preserving the original format whilst repairing imperfections present in the aged copy In rare cases an imperfection in the original such as a blemish or missing

page may be replicated in our edition We do however repair the vast majority of imperfections successfully any imperfections that remain are intentionally left to preserve the state of such historical works Metal Rail Manual ,1986

This is likewise one of the factors by obtaining the soft documents of this **Nordictrack 2500 Manual Guide** by online. You might not require more period to spend to go to the book establishment as skillfully as search for them. In some cases, you likewise pull off not discover the broadcast Nordictrack 2500 Manual Guide that you are looking for. It will no question squander the time.

However below, later you visit this web page, it will be correspondingly completely easy to get as with ease as download lead Nordictrack 2500 Manual Guide

It will not bow to many era as we notify before. You can complete it while decree something else at home and even in your workplace. fittingly easy! So, are you question? Just exercise just what we provide under as capably as evaluation **Nordictrack 2500 Manual Guide** what you past to read!

https://crm.avenza.com/About/Resources/Download_PDFS/Reset_Service_Light_Toyota.pdf

Table of Contents Nordictrack 2500 Manual Guide

1. Understanding the eBook Nordictrack 2500 Manual Guide
 - The Rise of Digital Reading Nordictrack 2500 Manual Guide
 - Advantages of eBooks Over Traditional Books
2. Identifying Nordictrack 2500 Manual Guide
 - Exploring Different Genres
 - Considering Fiction vs. Non-Fiction
 - Determining Your Reading Goals
3. Choosing the Right eBook Platform
 - Popular eBook Platforms
 - Features to Look for in an Nordictrack 2500 Manual Guide
 - User-Friendly Interface
4. Exploring eBook Recommendations from Nordictrack 2500 Manual Guide

- Personalized Recommendations
 - Nordictrack 2500 Manual Guide User Reviews and Ratings
 - Nordictrack 2500 Manual Guide and Bestseller Lists
5. Accessing Nordictrack 2500 Manual Guide Free and Paid eBooks
 - Nordictrack 2500 Manual Guide Public Domain eBooks
 - Nordictrack 2500 Manual Guide eBook Subscription Services
 - Nordictrack 2500 Manual Guide Budget-Friendly Options
 6. Navigating Nordictrack 2500 Manual Guide eBook Formats
 - ePub, PDF, MOBI, and More
 - Nordictrack 2500 Manual Guide Compatibility with Devices
 - Nordictrack 2500 Manual Guide Enhanced eBook Features
 7. Enhancing Your Reading Experience
 - Adjustable Fonts and Text Sizes of Nordictrack 2500 Manual Guide
 - Highlighting and Note-Taking Nordictrack 2500 Manual Guide
 - Interactive Elements Nordictrack 2500 Manual Guide
 8. Staying Engaged with Nordictrack 2500 Manual Guide
 - Joining Online Reading Communities
 - Participating in Virtual Book Clubs
 - Following Authors and Publishers Nordictrack 2500 Manual Guide
 9. Balancing eBooks and Physical Books Nordictrack 2500 Manual Guide
 - Benefits of a Digital Library
 - Creating a Diverse Reading Collection Nordictrack 2500 Manual Guide
 10. Overcoming Reading Challenges
 - Dealing with Digital Eye Strain
 - Minimizing Distractions
 - Managing Screen Time
 11. Cultivating a Reading Routine Nordictrack 2500 Manual Guide
 - Setting Reading Goals Nordictrack 2500 Manual Guide
 - Carving Out Dedicated Reading Time
 12. Sourcing Reliable Information of Nordictrack 2500 Manual Guide

- Fact-Checking eBook Content of Nordictrack 2500 Manual Guide
 - Distinguishing Credible Sources
13. Promoting Lifelong Learning
- Utilizing eBooks for Skill Development
 - Exploring Educational eBooks
14. Embracing eBook Trends
- Integration of Multimedia Elements
 - Interactive and Gamified eBooks

Nordictrack 2500 Manual Guide Introduction

Free PDF Books and Manuals for Download: Unlocking Knowledge at Your Fingertips In today's fast-paced digital age, obtaining valuable knowledge has become easier than ever. Thanks to the internet, a vast array of books and manuals are now available for free download in PDF format. Whether you are a student, professional, or simply an avid reader, this treasure trove of downloadable resources offers a wealth of information, conveniently accessible anytime, anywhere. The advent of online libraries and platforms dedicated to sharing knowledge has revolutionized the way we consume information. No longer confined to physical libraries or bookstores, readers can now access an extensive collection of digital books and manuals with just a few clicks. These resources, available in PDF, Microsoft Word, and PowerPoint formats, cater to a wide range of interests, including literature, technology, science, history, and much more. One notable platform where you can explore and download free Nordictrack 2500 Manual Guide PDF books and manuals is the internet's largest free library. Hosted online, this catalog compiles a vast assortment of documents, making it a veritable goldmine of knowledge. With its easy-to-use website interface and customizable PDF generator, this platform offers a user-friendly experience, allowing individuals to effortlessly navigate and access the information they seek. The availability of free PDF books and manuals on this platform demonstrates its commitment to democratizing education and empowering individuals with the tools needed to succeed in their chosen fields. It allows anyone, regardless of their background or financial limitations, to expand their horizons and gain insights from experts in various disciplines. One of the most significant advantages of downloading PDF books and manuals lies in their portability. Unlike physical copies, digital books can be stored and carried on a single device, such as a tablet or smartphone, saving valuable space and weight. This convenience makes it possible for readers to have their entire library at their fingertips, whether they are commuting, traveling, or simply enjoying a lazy afternoon at home. Additionally, digital files are easily searchable, enabling readers to locate specific information within seconds. With a few keystrokes, users can search for keywords, topics, or phrases, making research and finding relevant information a breeze.

This efficiency saves time and effort, streamlining the learning process and allowing individuals to focus on extracting the information they need. Furthermore, the availability of free PDF books and manuals fosters a culture of continuous learning. By removing financial barriers, more people can access educational resources and pursue lifelong learning, contributing to personal growth and professional development. This democratization of knowledge promotes intellectual curiosity and empowers individuals to become lifelong learners, promoting progress and innovation in various fields. It is worth noting that while accessing free Nordictrack 2500 Manual Guide PDF books and manuals is convenient and cost-effective, it is vital to respect copyright laws and intellectual property rights. Platforms offering free downloads often operate within legal boundaries, ensuring that the materials they provide are either in the public domain or authorized for distribution. By adhering to copyright laws, users can enjoy the benefits of free access to knowledge while supporting the authors and publishers who make these resources available. In conclusion, the availability of Nordictrack 2500 Manual Guide free PDF books and manuals for download has revolutionized the way we access and consume knowledge. With just a few clicks, individuals can explore a vast collection of resources across different disciplines, all free of charge. This accessibility empowers individuals to become lifelong learners, contributing to personal growth, professional development, and the advancement of society as a whole. So why not unlock a world of knowledge today? Start exploring the vast sea of free PDF books and manuals waiting to be discovered right at your fingertips.

FAQs About Nordictrack 2500 Manual Guide Books

1. Where can I buy Nordictrack 2500 Manual Guide books? Bookstores: Physical bookstores like Barnes & Noble, Waterstones, and independent local stores. Online Retailers: Amazon, Book Depository, and various online bookstores offer a wide range of books in physical and digital formats.
2. What are the different book formats available? Hardcover: Sturdy and durable, usually more expensive. Paperback: Cheaper, lighter, and more portable than hardcovers. E-books: Digital books available for e-readers like Kindle or software like Apple Books, Kindle, and Google Play Books.
3. How do I choose a Nordictrack 2500 Manual Guide book to read? Genres: Consider the genre you enjoy (fiction, non-fiction, mystery, sci-fi, etc.). Recommendations: Ask friends, join book clubs, or explore online reviews and recommendations. Author: If you like a particular author, you might enjoy more of their work.
4. How do I take care of Nordictrack 2500 Manual Guide books? Storage: Keep them away from direct sunlight and in a dry environment. Handling: Avoid folding pages, use bookmarks, and handle them with clean hands. Cleaning: Gently

- dust the covers and pages occasionally.
5. Can I borrow books without buying them? **Public Libraries:** Local libraries offer a wide range of books for borrowing. **Book Swaps:** Community book exchanges or online platforms where people exchange books.
 6. How can I track my reading progress or manage my book collection? **Book Tracking Apps:** Goodreads, LibraryThing, and Book Catalogue are popular apps for tracking your reading progress and managing book collections. **Spreadsheets:** You can create your own spreadsheet to track books read, ratings, and other details.
 7. What are Nordictrack 2500 Manual Guide audiobooks, and where can I find them? **Audiobooks:** Audio recordings of books, perfect for listening while commuting or multitasking. **Platforms:** Audible, LibriVox, and Google Play Books offer a wide selection of audiobooks.
 8. How do I support authors or the book industry? **Buy Books:** Purchase books from authors or independent bookstores. **Reviews:** Leave reviews on platforms like Goodreads or Amazon. **Promotion:** Share your favorite books on social media or recommend them to friends.
 9. Are there book clubs or reading communities I can join? **Local Clubs:** Check for local book clubs in libraries or community centers. **Online Communities:** Platforms like Goodreads have virtual book clubs and discussion groups.
 10. Can I read Nordictrack 2500 Manual Guide books for free? **Public Domain Books:** Many classic books are available for free as they're in the public domain. **Free E-books:** Some websites offer free e-books legally, like Project Gutenberg or Open Library.

Find Nordictrack 2500 Manual Guide :

reset service light toyota

research paper on happiness

report on internet access via cable tv network

rescue the princess answer key

report payment history credit agencies

reset mini cooper service light

reset bmw e36 service light paper clip

reset 20chevrolettrailblazer air conditioner

reset blackberry bold 9900 to factory settings

report on construction site

resistor lab manual

requiem pour un jeune soldat

research paper science project

report creation request template

reporting and analytics dashboards

Nordictrack 2500 Manual Guide :

the organ and its music in german jewish culture - Sep 27 2022

web this title examines the powerful presence of the organ in synagogue music and in the general musical life of german speaking jewish communities in the 19th and 20th centuries it explores the development of a new organ music repertoire as a paradigm for the changing identity of modern jewry

the organ and its music in german jewish culture - Nov 29 2022

web the jewish literature of early modernity pictorial sources of different cultural and religious provenance meshorerim as the forerunners of organ accompaniment the synagogues of prague and venice from liturgical reforms to a new musical identity the synagogue organ in the context of organ building traditions intermezzo sharing

the organ and its music in german jewish culture paperback - Apr 22 2022

web sep 1 2012 overview the organ and its music in german jewish culture examines the powerful but often overlooked presence of the organ in synagogue music and the musical life of german speaking jewish communities

music to ernest bloch s jewish cycle to leonard bernstein s jewish - Feb 01 2023

web the organ and its music in german jewish culture tina frühauf new york oxford university press 2009 296 pp isbn 978 0 1953 3706 8 published 6 2 2010 recent studies in jewish art music have contributed significantly to an emerging continuum of jewish identities in

the organ and its music in german jewish culture review - Apr 03 2023

web the recording includes settings of songs by composers such as aaron copland darius milhaud and kurt weill jewish sheet music including the famous wiener fiakerlied by gustav pick a selection of german cabaret songs including two of arnold schoenberg s brettlieder hanns eisler s settings of texts by kurt tucholsky and bertold

the organ and its music in german jewish culture 1st edition - Jun 05 2023

web jan 15 2009 the organ and its music in german jewish culture adopts a richly multi faceted approach to its subject combining thorough archival research with musical analysis reception history and sociological and ethnographic explorations into jewish organ culture and thus significantly contributes to our understanding of the ways

[the organ and its music in german jewish culture review](#) - Dec 31 2022

web the organ and its music in german jewish culture by tina fruhaufr new york oxford university press 2009 284 pp 74 00

tina fruhaufr has given us a book that is as much about jewish identity as it is about music

the organ and its music in german jewish culture - May 04 2023

web the recurring topic of the supposed jewish ban on images addressed by writers like anthony julius often as an explanation for the involvement of jewish artists rothko newman gottlieb in abstraction is complicated by rosen in his discussion of guston s turn from abstraction back to figuration kitaj too worked against the grain as

synagogue organ music world ort - Feb 18 2022

web the newly emergent german jewish organ tradition abruptly ended at its peak in 1938 when most of the instruments and with them the possibility of performing organ music were destroyed on kristallnacht although this date marks the beginning of the end the extinction of this growing cultural tradition was a longer process that

[the organ and its music in german jewish culture](#) - Jul 06 2023

web jan 22 2009 the organ and its music in german jewish culture examines the powerful but often overlooked presence of the organ in synagogue music and the musical life of german speaking jewish

why the organ is the most jewish instrument the forward - Mar 02 2023

web dec 13 2012 for these the organ and its music in german jewish culture recently published in paperback will be a real ear opener its author musicologist tina frühauf notes that until the

organ and its music in german jewish culture amazon com tr - May 24 2022

web organ and its music in german jewish culture fruhaufr tina amazon com tr kitap

the organ and its music in german jewish culture - Aug 27 2022

web 1 the organ jewish music and identity 2 jewish curiosities the organ in judaism before 1800 the jewish literature of early modernity pictorial sources of different cultural and religious provenance meshorerim as the forerunners of organ

accompaniment the synagogues of prague and venice 3 the organ as a jewish

the organ and its music in german x 284 p isbn jstor - Aug 07 2023

web organ and its repertoire in german jewish culture the organ and its music focuses primarily on the period from 1810 the year of the first known performance of an organ in a german synagogue the jacobstempel in seesen westphalia to november 1938 when rioters destroyed nearly all central european synagogue organs in the kristallnacht

tina frühauf german jewish organ music an anthology of - Jul 26 2022

web jun 17 2015 volume 12 issue 1 tina frühauf german jewish organ music an anthology english français tina frühauf

german jewish organ music an anthology of works from the 1820s to the 1960s middleton wisconsin a r editions 2013 131pp

280 00 published online by cambridge university press 17 june 2015 kimberly

the organ and its music in german jewish culture paperback - Oct 29 2022

web the organ and its music in german jewish culture examines the powerful but often overlooked presence of the organ in synagogue music and the musical life of german speaking jewish communities tina fr hauf expertly chronicles the history of the organ in jewish culture from the earliest references in the talmud through the 19th century

the organ and its music in german jewish culture hardcover - Sep 08 2023

web jan 15 2009 the organ and its music in german jewish culture examines the powerful but often overlooked presence of the organ in synagogue music and the musical life of german speaking jewish communities

the organ and its music in german jewish culture - Oct 09 2023

web jun 2 2010 the book includes six chapters partitioned symmetrically by an intermezzo with its core in the third and fourth chapters the first chapter maps the cultural context and the author s methodology its temporal focus runs from 1810 with the introduction of the first organ at the jacobstempel in seesen westphalia to 1938 when many

organ and its music in german jewish culture fruhauf tina - Mar 22 2022

web organ and its music in german jewish culture by fruhauf tina at abebooks co uk isbn 10 0195337069 isbn 13 9780195337068 oxford university press 2009 hardcover

tina frühauf columbia university department of music - Jun 24 2022

web phd historical musicology educated in germany dr frühauf specializes in the history of jewish music in western europe she is the author of the organ and its music in german jewish culture oxford university press 2009 2012 and editor of an anthology of german jewish organ music a r editions 2013 nominated for the claude v

amazon fr reiki médecine mystique de mikao usui intégrale 3 - Oct 10 2022

web noté 5 retrouvez reiki médecine mystique de mikao usui intégrale 3 spiritualités postulats scientifiques et études cliniques et des millions de livres en stock sur amazon fr achetez neuf ou d occasion

reiki médecine mystique de mikao usui intégrale 2 au - Jul 19 2023

web mikao usui déclare avoir découvert le reiki accidentellement reiki médecine mystique de mikao usui intégrale 2 aux sources du reiki japon inde chine et tibet bouddhisme taoïsme et shintô le manuel de deuxième degré de

reiki ma c decine mystique de mikao usui inta c g pdf - Nov 11 2022

web reiki ma c decine mystique de mikao usui inta c g 1 reiki ma c decine mystique de mikao usui inta c g when people should go to the ebook stores search initiation by shop shelf by shelf it is truly problematic this is why we present the book compilations in this website it will certainly ease you to look

reiki ma c decine mystique de mikao usui inta c g copy - Jul 07 2022

web inta c g 1 reiki ma c decine mystique de mikao usui inta c g recognizing the showing off ways to get this books reiki ma c decine mystique de mikao usui inta c g is additionally useful you have remained in right site to start getting this info get the reiki ma c decine mystique de mikao usui inta c g partner that we allow here and check out

reiki médecine mystique de mikao usui tome 6 reiki e - Dec 12 2022

web mise à jour de décembre 2018 le texte a été presque intégralement réécrit le style revu et l reiki médecine mystique de mikao usui tome 6 reiki et shintô les kototamas pascal treffainguy

singapore tura - Sep 09 2022

web singapore tura

reiki ma c decine mystique de mikao usui inta c g 2022 - Apr 04 2022

web 4 reiki ma c decine mystique de mikao usui inta c g 2022 05 31 light dare to be your truest self and expand the heart of every human who witnesses your divine feminine essence complementary alternative therapies in nursing h j kramer communications from beloved pets are seen by thousands every day some messages are given in ways

reiki m decine mystique de mikao usui tome 11 le reiki et - Mar 15 2023

web add to cart add this copy of reiki médecine mystique de mikao usui tome 11 le to cart 11 00 new condition sold by ingram customer returns center rated 5 0 out of 5 stars ships from nv usa published 2018 by independently published

reiki médecine mystique de mikao usui tomes 2 3 et 4 - Jun 18 2023

web reiki médecine mystique de mikao usui est un ouvrage de référence international sur le reiki reiki médecine mystique de mikao usui tomes 2 3 et 4 histoire mythes et écoles pascal treffainguy

reiki médecine mystique de mikao usui la découverte d - Oct 22 2023

web apr 30 2018 reiki médecine mystique de mikao usui rate this book le reiki résulte t il d une découverte accidentelle de mikao usui ou est t il le fruit d une ascèse dans le shintô et le bouddhisme pascal kolber treffainguy a mené l enquête à kurama yama au japon 292 pages paperback published april 30

reiki médecine mystique de mikao usui intégrale 1 documents - May 17 2023

web noté 5 achetez reiki médecine mystique de mikao usui intégrale 1 documents histoire controverses et écoles de treffainguy pascal kolber isbn 9781981022267 sur amazon fr des millions de livres livrés chez vous en 1 jour

reiki ma c decine mystique de mikao usui inta c g uniport edu - May 05 2022

web reiki ma c decine mystique de mikao usui inta c g 1 10 downloaded from uniport edu ng on june 12 2023 by guest reiki ma c decine mystique de mikao usui inta c g recognizing the way ways to get this book reiki ma c decine mystique de mikao usui inta c g is additionally useful you have remained in right site to begin getting this info

reiki médecine mystique de mikao usui intégrale 1 documents - Apr 16 2023

web reiki médecine mystique de mikao usui intégrale 1 documents histoire controverses et écoles french edition treffainguy pascal kolber amazon sg books

[reiki ma c decine mystique de mikao usui inta c g pdf](#) - Jun 06 2022

web introduction reiki ma c decine mystique de mikao usui inta c g pdf download only spiritual disturbances divaldo franco 2020 03 777 and other qabalistic writings of aleister crowley aleister crowley 1986 06 01 this edition includes liber 777 gematria from equinox volume 1 number 5 and sepher sephiroth from equinox volume 1

I histoire du reiki et de mikao usui l école de reiki intégrative - Mar 03 2022

web la légende raconte que mikao usui le fondateur du reiki aurait eu un satori ou illumination lors d une profonde méditation de 21 jours suite à cette expérience il aurait constaté la présence du reiki partout en lui même il créa alors son système le usui reiki ryōhō qui se répandit rapidement dans le monde entier

[reiki médecine mystique de mikao usui tome 9 et 10 l](#) - Sep 21 2023

web apr 30 2018 reiki médecine mystique de mikao usui tome 9 et 10 ole gabrielsen pascal kolber treffainguy en profite pour faire le point sur le sens des symboles du reiki au regard de ses sources secrètes 199 pages paperback published april 30 2018 book details editions about

[le reiki medecine traditionnelle chinoise](#) - Aug 08 2022

web le reiki le reiki est une pratique complémentaire à la médecine traditionnelle chinoise il ne s agit pas de digito puncture car l intention énergétique est donnée par l intention du reiki si l énergie peut résoudre tous les problèmes c est l esprit qui peut commander et diriger cette énergie c est là qu

reiki médecine mystique de mikao usui tome 1 goodreads - Feb 14 2023

web reiki médecine mystique de mikao usui est un best down loaded sur internet reiki médecine mystique de mikao usui est un best down loaded sur internet 500 000 depuis plus de 15 ans désormais en format papier et mis à jour en 2018 sa première version date de 1989 298 pages paperback published april 29 2018

[reiki médecine mystique de mikao usui intégrale 1 do](#) - Aug 20 2023

web en 13 tomes distincts ou 3 groupes ici le groupe 1 reprend les tomes de 1 à 4 il constitue la seule encyclopédie exhaustive du reiki à caractère scientifique et universitaire inclus dans ce groupe de les manuels de soin intégraux de mikao usui de chujiro hayashi et d hawaii takata et les techniques japonaises de reiki

xunreiki reiki class reiki therapist reiki singapore - Jan 13 2023

web xun reiki singapore offers traditional japanese reiki treatment and reiki classes in singapore for your physical health emotional mental well being and spiritual development during a reiki treatment with us the pure flow of energy is re aligned within your physical and etheric body clearing congestions and strengthening the flow of energy

tatuajes mágicos y símbolos para meditar libro 2 leyes - Oct 14 2023

web tatuajes mágicos y símbolos para meditar libro 2 leyes específicas ventur ray amazon com au books

tatuajes mágicos y símbolos para meditar libro 2 leyes - Sep 13 2023

web tatuajes mágicos y símbolos para meditar libro 2 leyes específicas spanish edition ventur ray amazon sg books

tatuajes mágicos y símbolos para meditar libro 2 leyes - Jul 11 2023

web buy tatuajes mágicos y símbolos para meditar libro 2 leyes específicas by ventur ray isbn 9781671545342 from amazon s book store everyday low prices and free delivery on eligible orders

tatuajes mágicos y símbolos para meditar libro 2 leyes - Mar 07 2023

web dec 4 2019 tatuajes mágicos y símbolos para meditar libro 2 leyes específicas ventur ray 9781671545342 books amazon ca

tatuajes mágicos y símbolos para meditar libro 2 leyes - Feb 23 2022

web may 5 2022 tatuajes mágicos y símbolos para meditar libro 2 leyes específicas ventur ray 9798818713038 books amazon ca

tatuajes mágicos y símbolos para meditar libro 2 leyes - Mar 27 2022

web tatuajes mágicos y símbolos para meditar libro 2 leyes específicas spanish edition ebook ventur ray amazon com au kindle store

tatuajes mágicos y símbolos para meditar libro 2 leyes - Aug 12 2023

web dec 4 2019 tatuajes mágicos y símbolos para meditar libro 2 leyes específicas spanish edition ventur ray on amazon com free shipping on qualifying offers tatuajes mágicos y símbolos para meditar libro 2

tatuajes mágicos y símbolos para meditar libro 2 leyes - Sep 01 2022

web tatuajes mágicos y símbolos para meditar libro 2 leyes específicas spanish edition ventur ray amazon com mx libros

tatuajes mágicos y símbolos para meditar libro 2 leyes - Jan 05 2023

web tatuajes mágicos y símbolos para meditar libro 2 leyes específicas ebook ventur ray amazon com mx tienda kindle

50 tatuajes de magos brujos y hechiceros y diseños exclusivos - May 29 2022

web los tatuajes de magia y brujería van bien con todos los temas místicos estos incluyen el sol luna y estrellas dragones unicornios caballos alados bolas de cristal magos los diseños de brujos y magos pueden ser usados por ambos sexos generalmente es un diseño popular dentro del mundo de la fantasía o en el mundo de los

10 mejores tatuajes mitológicos significado procrastina fácil - Jul 31 2022

web existen numerosas civilizaciones y culturas ancestrales cuya magia de sus símbolos nos conectan con el pasado como una forma de perdurar a través del tiempo qué mejor manera de rendir honor sino plasmarlo como un tatuaje mitológico en

nuestra piel ha resultado inevitable sentir una gran fascinación por el significado detrás de ellos no solo

tatuajes mágicos y símbolos para meditar libro 2 leyes - Nov 03 2022

web tatuajes mágicos y símbolos para meditar libro 2 leyes específicas ventur ray amazon nl books

tatuajes mágicos y símbolos para meditar libro 2 leyes - May 09 2023

web dec 4 2019 amazon co jp tatuajes mágicos y símbolos para meditar libro 2 leyes específicas ventur ray foreign language books

tatuajes mágicos y símbolos para meditar libro 2 leyes - Dec 04 2022

web tatuajes mágicos y símbolos para meditar libro 2 leyes específicas ebook ventur ray amazon es tienda kindle

42 tatuajes simbólicos con su significado tatuing - Jun 29 2022

web los tatuajes como una forma de transmitir mensajes muchas veces se inspiran en símbolos que para distintas culturas del mundo transmiten ideas muy concretas y extendidas te contamos cuáles son algunos de estos símbolos a qué culturas pertenecen y por qué son tan importantes y de significado fuerte para un tatuaje que llevaremos

tatuajes mágicos y símbolos para meditar libro 2 leyes - Jun 10 2023

web tatuajes mágicos y símbolos para meditar libro 2 leyes específicas nos encontramos ante la tatuajes mágicos y símbolos para meditar libro 2 leyes específicas by ray ventur goodreads

tatuajes mágicos y símbolos para meditar libro 2 leyes - Feb 06 2023

web tatuajes mágicos y símbolos para meditar libro 2 leyes específicas ventur ray amazon es libros

amazon com customer reviews tatuajes mágicos y símbolos para meditar - Apr 08 2023

web find helpful customer reviews and review ratings for tatuajes mágicos y símbolos para meditar libro 2 leyes específicas spanish edition at amazon com read honest and unbiased product reviews from our users

tatuajes con significado espiritual sum - Apr 27 2022

web lo cierto es que desde épocas antiguas los tatuajes con sentido espiritual se han usado para manifestar alguna creencia Éstos son usados muchas veces para solicitar la protección de alguna deidad como amuleto o para

tatuajes mágicos y símbolos para meditar libro 2 leyes - Oct 02 2022

web buy tatuajes mágicos y símbolos para meditar libro 2 leyes específicas spanish edition by online on amazon ae at best prices fast and free shipping free returns cash on delivery available on eligible purchase