

⇒ In option (A) particle reaches at origin with positive kinetic energy

$$\frac{dU(x)}{dx} = 0 \text{ at } x = \frac{3R}{\sqrt{7}}$$

$$\text{at } \beta = \frac{1}{4} \text{ and } x = \frac{3R}{\sqrt{7}}$$

$$U(x)_{\text{net}} = \sqrt{7}Rc = 2.645$$

⇒ In option B at  $U(x)_{\text{net}} = 3Rc$

⇒ The kinetic energy at origin will become negative

$$\text{at } x = \frac{R}{\sqrt{3}}$$

⇒ In option (C),  $U(x)_{\text{net}}$  at  $x = \frac{R}{\sqrt{3}} < U(x)_{\text{net}}$  at  $x = 0$ .

$$\text{And } U(x)_{\text{net}} \text{ at } x = \frac{R}{\sqrt{3}} > U(x)_{\text{net}} \text{ at } x = \frac{3R}{\sqrt{7}}$$

⇒ Particle will return back to  $x_0$

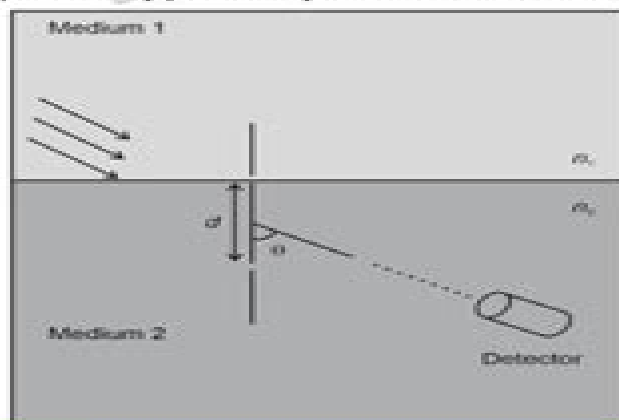
In option (D) ( $\beta > 1, x_0 > 0$ )

$U(x)_{\text{net}}$  will keep on increasing with  $x$

⇒ Particle always reaches the origin.

⇒ Answer (A, C, D)

13. A double slit setup is shown in the figure. One of the slits is in medium 2 of refractive index  $n_2$ . The other slit is at the interface of this medium with another medium 1 of refractive index  $n_1 (> n_2)$ . The line joining the slits is perpendicular to the interface and the distance between the slits is  $d$ . The slit widths are much smaller than  $d$ . A monochromatic parallel beam of light is incident on the slits from medium 1. A detector is placed in medium 2 at a large distance from the slits, and at an angle  $\theta$  from the line joining them, so that  $\theta$  equals the angle of refraction of the beam. Consider two approximately parallel rays from the slits received by the detector.



# Popy Library Physics Question

**K Payea**



**Popy Library Physics Question:**

Fuel your quest for knowledge with Learn from is thought-provoking masterpiece, **Popy Library Physics Question** . This educational ebook, conveniently sized in PDF ( Download in PDF: \*), is a gateway to personal growth and intellectual stimulation. Immerse yourself in the enriching content curated to cater to every eager mind. Download now and embark on a learning journey that promises to expand your horizons. .

<https://crm.avenza.com/results/scholarship/default.aspx/Renault%20Radiosat%20Bluetooth%20Manual.pdf>

## **Table of Contents Popy Library Physics Question**

1. Understanding the eBook Popy Library Physics Question
  - The Rise of Digital Reading Popy Library Physics Question
  - Advantages of eBooks Over Traditional Books
2. Identifying Popy Library Physics Question
  - Exploring Different Genres
  - Considering Fiction vs. Non-Fiction
  - Determining Your Reading Goals
3. Choosing the Right eBook Platform
  - Popular eBook Platforms
  - Features to Look for in an Popy Library Physics Question
  - User-Friendly Interface
4. Exploring eBook Recommendations from Popy Library Physics Question
  - Personalized Recommendations
  - Popy Library Physics Question User Reviews and Ratings
  - Popy Library Physics Question and Bestseller Lists
5. Accessing Popy Library Physics Question Free and Paid eBooks
  - Popy Library Physics Question Public Domain eBooks
  - Popy Library Physics Question eBook Subscription Services
  - Popy Library Physics Question Budget-Friendly Options

6. Navigating Popy Library Physics Question eBook Formats
  - ePub, PDF, MOBI, and More
  - Popy Library Physics Question Compatibility with Devices
  - Popy Library Physics Question Enhanced eBook Features
7. Enhancing Your Reading Experience
  - Adjustable Fonts and Text Sizes of Popy Library Physics Question
  - Highlighting and Note-Taking Popy Library Physics Question
  - Interactive Elements Popy Library Physics Question
8. Staying Engaged with Popy Library Physics Question
  - Joining Online Reading Communities
  - Participating in Virtual Book Clubs
  - Following Authors and Publishers Popy Library Physics Question
9. Balancing eBooks and Physical Books Popy Library Physics Question
  - Benefits of a Digital Library
  - Creating a Diverse Reading Collection Popy Library Physics Question
10. Overcoming Reading Challenges
  - Dealing with Digital Eye Strain
  - Minimizing Distractions
  - Managing Screen Time
11. Cultivating a Reading Routine Popy Library Physics Question
  - Setting Reading Goals Popy Library Physics Question
  - Carving Out Dedicated Reading Time
12. Sourcing Reliable Information of Popy Library Physics Question
  - Fact-Checking eBook Content of Popy Library Physics Question
  - Distinguishing Credible Sources
13. Promoting Lifelong Learning
  - Utilizing eBooks for Skill Development
  - Exploring Educational eBooks
14. Embracing eBook Trends
  - Integration of Multimedia Elements

- Interactive and Gamified eBooks

## **Popy Library Physics Question Introduction**

In the digital age, access to information has become easier than ever before. The ability to download Popy Library Physics Question has revolutionized the way we consume written content. Whether you are a student looking for course material, an avid reader searching for your next favorite book, or a professional seeking research papers, the option to download Popy Library Physics Question has opened up a world of possibilities. Downloading Popy Library Physics Question provides numerous advantages over physical copies of books and documents. Firstly, it is incredibly convenient. Gone are the days of carrying around heavy textbooks or bulky folders filled with papers. With the click of a button, you can gain immediate access to valuable resources on any device. This convenience allows for efficient studying, researching, and reading on the go. Moreover, the cost-effective nature of downloading Popy Library Physics Question has democratized knowledge. Traditional books and academic journals can be expensive, making it difficult for individuals with limited financial resources to access information. By offering free PDF downloads, publishers and authors are enabling a wider audience to benefit from their work. This inclusivity promotes equal opportunities for learning and personal growth. There are numerous websites and platforms where individuals can download Popy Library Physics Question. These websites range from academic databases offering research papers and journals to online libraries with an expansive collection of books from various genres. Many authors and publishers also upload their work to specific websites, granting readers access to their content without any charge. These platforms not only provide access to existing literature but also serve as an excellent platform for undiscovered authors to share their work with the world. However, it is essential to be cautious while downloading Popy Library Physics Question. Some websites may offer pirated or illegally obtained copies of copyrighted material. Engaging in such activities not only violates copyright laws but also undermines the efforts of authors, publishers, and researchers. To ensure ethical downloading, it is advisable to utilize reputable websites that prioritize the legal distribution of content. When downloading Popy Library Physics Question, users should also consider the potential security risks associated with online platforms. Malicious actors may exploit vulnerabilities in unprotected websites to distribute malware or steal personal information. To protect themselves, individuals should ensure their devices have reliable antivirus software installed and validate the legitimacy of the websites they are downloading from. In conclusion, the ability to download Popy Library Physics Question has transformed the way we access information. With the convenience, cost-effectiveness, and accessibility it offers, free PDF downloads have become a popular choice for students, researchers, and book lovers worldwide. However, it is crucial to engage in ethical downloading practices and prioritize personal security when utilizing online platforms. By doing so, individuals can make the most of the vast array of free PDF resources available and embark on a journey of

continuous learning and intellectual growth.

### **FAQs About Popy Library Physics Question Books**

**What is a Popy Library Physics Question PDF?** A PDF (Portable Document Format) is a file format developed by Adobe that preserves the layout and formatting of a document, regardless of the software, hardware, or operating system used to view or print it. **How do I create a Popy Library Physics Question PDF?** There are several ways to create a PDF: Use software like Adobe Acrobat, Microsoft Word, or Google Docs, which often have built-in PDF creation tools. Print to PDF: Many applications and operating systems have a "Print to PDF" option that allows you to save a document as a PDF file instead of printing it on paper. Online converters: There are various online tools that can convert different file types to PDF. **How do I edit a Popy Library Physics Question PDF?** Editing a PDF can be done with software like Adobe Acrobat, which allows direct editing of text, images, and other elements within the PDF. Some free tools, like PDFescape or Smallpdf, also offer basic editing capabilities. **How do I convert a Popy Library Physics Question PDF to another file format?** There are multiple ways to convert a PDF to another format: Use online converters like Smallpdf, Zamzar, or Adobe Acrobats export feature to convert PDFs to formats like Word, Excel, JPEG, etc. Software like Adobe Acrobat, Microsoft Word, or other PDF editors may have options to export or save PDFs in different formats. **How do I password-protect a Popy Library Physics Question PDF?** Most PDF editing software allows you to add password protection. In Adobe Acrobat, for instance, you can go to "File" -> "Properties" -> "Security" to set a password to restrict access or editing capabilities. Are there any free alternatives to Adobe Acrobat for working with PDFs? Yes, there are many free alternatives for working with PDFs, such as: LibreOffice: Offers PDF editing features. PDFsam: Allows splitting, merging, and editing PDFs. Foxit Reader: Provides basic PDF viewing and editing capabilities. How do I compress a PDF file? You can use online tools like Smallpdf, ILovePDF, or desktop software like Adobe Acrobat to compress PDF files without significant quality loss. Compression reduces the file size, making it easier to share and download. Can I fill out forms in a PDF file? Yes, most PDF viewers/editors like Adobe Acrobat, Preview (on Mac), or various online tools allow you to fill out forms in PDF files by selecting text fields and entering information. Are there any restrictions when working with PDFs? Some PDFs might have restrictions set by their creator, such as password protection, editing restrictions, or print restrictions. Breaking these restrictions might require specific software or tools, which may or may not be legal depending on the circumstances and local laws.

**Find Popy Library Physics Question :**

renault radiosat bluetooth manual

renault megane cabrio manual

**reloading manual for m1a**

*renault clio workshop manual*

religious education books for children

*renault megane petrol and diesel service and repair manual 2002 to 2005*

**renault scenic repair manual**

**renault koleos workshop manual**

**renault megane iii body service manual**

renault kangoo 2015 service manual

renaissance and reformation study guide answers

**renault trafic dci workshop manual**

renault logan service manual mcv

renault dacia duster workshop service repair manual 2009 2011

renault clio 3 rs manual

**Popy Library Physics Question :**

STAGES OF THE HUMAN MENSTRUAL CYCLE May 28, 2019 — LAB. Period. Date. STAGES OF THE HUMAN MENSTRUAL CYCLE. When a human female is born, her ovaries already contain all the immature eggs that will ... LAB: STAGES OF THE HUMAN MENSTRUAL CYCLE When a human female is born, her ovaries already contain all the immature eggs that will later mature and produce functional eggs during her lifetime. LAB \_\_\_\_\_. STAGES OF THE HUMAN MENSTRUAL CYCLE When a human female is born, her ovaries already contain all the immature eggs that will later mature and produce functional eggs during her lifetime. Menstrual Cycle Graphing - Lab #12 Purpose: The purpose of this laboratory experience is: to examine the events of the human menstrual cycle with regard to hormone levels, ovarian function, and ... Menstrual Cycle Lab Flashcards Study with Quizlet and memorize flashcards containing terms like What gland secretes FSH (follicle-stimulating hormone)?, On what day does the FSH reach its ... LAB \_\_\_\_\_. STAGES OF THE HUMAN MENSTRUAL CYCLE When a human female is born, her ovaries already contain all the immature eggs that will later mature and produce functional eggs during her lifetime. Menstrual cycle lab and graphs Menstrual cycle lab and graphs. Ch 36. Menstrual cycle



(ovulation). The Menstrual Cycle; About every 28 days, some blood and other products of the ... Follicle-Stimulating Hormone (FSH) Levels Test by FSH/FSHL Test — This test measures the level of follicle-stimulating hormone (FSH) in your blood. FSH affects sexual development in children and fertility ... Top Labs To Run Bi-Annually On Your Irregular Menstrual ... Aug 7, 2023 — Lab tests like anti-Müllerian hormone (AMH) and follicle-stimulating hormone (FSH) levels provide a comprehensive overview of ovarian function. The Premarital Counseling Handbook by Wright, H. Norman Very helpful resource for counseling couples. Provides down to earth perspective for ministering to couples and their extended family as they prepare for ... The Premarital Counseling Handbook | Christian Books Since its introduction in 1977 as Premarital Counseling, this book has been used by thousands of churches throughout the country as both a guide and reference ... Premarital Counseling Handbook | Cokesbury Since its introduction in 1977 as Premarital Counseling, this book has been used by thousands of churches throughout the country as both a guide and reference ... The Premarital Counseling Handbook - Norman Wright Writing for both pastors and other premarital counselors, H. Norman Wright sets you at ease about the counseling process, even if you've had only limited ... The Premarital Counseling Handbook - Scripture Truth Since its introduction in 1977 as Premarital Counseling, this book has been used by literally thousands of churches throughout the country as both a guide and ... The Premarital Counseling Handbook: H. Norman Wright Since its introduction in 1977 as Premarital Counseling, this book has been used by thousands of churches throughout the country as both a guide and reference ... The Premarital Counseling Handbook - Biblestore.com Since its introduction in 1977 as Premarital Counseling, this book has been used by thousands of churches throughout the country as both a guide and reference ... The Premarital Counseling Handbook: Wright, Norman Wright encourages pastors to take very seriously the premarital counseling process and shows them step-by-step how to conduct counseling sessions that will ... The Premarital Counseling Handbook The Premarital Counseling Handbook. \$24.99 Contact store for availability! ... In any endeavor, dreams and goals not backed by concrete plans and preparations can ... The Premarital Counseling Handbook - Heaven & Earth Non-Fiction / Self Help / Recovery , Love & Marriage. The Premarital Counseling Handbook. H. Norman Wright. The Premarital Counseling Handbook. \$24.99. Add To ... Hospital Housekeeping: Training, Standards & Checklist Oct 23, 2022 — This lesson will discuss the benefits of hospital housekeeping and the importance of standards for housekeeping employees. This lesson will ... Quiz & Worksheet - Hospital Housekeeping Basics By taking this quiz, you'll measure your understanding of hospital housekeeping basics. The quiz/worksheet is printable, which allows you to view... 10-hour Healthcare: Housekeeping Safety Program Access 100% of our training material for free, including the study guide, knowledge check activities, course activities and resources, and course exams. Hospital Housekeeping Training Manual This convenient guide summarizes the contents of each of the hospital housekeeping training videos available through ISSA (Theory of Infectious Cleaning; BSI ... HP\_Housekeeping-Manual.pdf Feb 16, 2016 — The Manual is to assist you to develop your own cleaning policies and procedures, or to use as it

is if you prefer, and consists of three ... Full Guide To Hospital Housekeeping Checklist - DataMyte's Nov 29, 2022 — A hospital housekeeping checklist is a tool that lists tasks and areas that need to be cleaned in a hospital. It outlines the Frequency, method, ... a study to determine the effectiveness of the texas hospital ... by MEB Blodgett · 1971 — The purpose of this study was to determine the effectiveness of the Texas Hospital Association Shared Management Systems Housekeeping Study Guide in ... Environmental Services Cleaning Guidebook Adapted from Allina Hospitals and Clinics Environmental Services Cleaning Guidebook by the Minnesota Hospital Association. (MHA), Minnesota Department of ... Free Hospital Housekeeping Checklists | PDF Jul 11, 2023 — Download our collection of free hospital housekeeping checklists to identify high-risk areas and ensure patient and staff safety. HOSPITAL HOUSEKEEPING In one year, duration, the trainee learns about elementary first-aid, firefighting, environment regulation and housekeeping, etc.