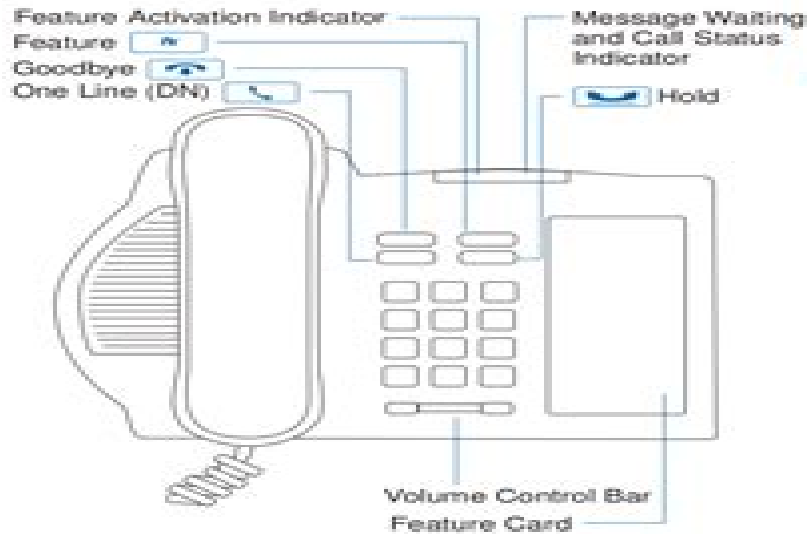


Introducing your Meridian M3901 Telephone



Features Assigned to Your Telephone

1

2

3

4

5

Flexible Feature Codes (FFCs)

Call Forward All Calls Activate	Call Forward All Calls Deactivate
Park Call	Park Call Access
Pickup Ringing Number	Pickup Group
Pickup Directory Number	Group Call
Electronic Lock Activate	Electronic Lock Deactivate
Make Set Busy Activate	Make Set Busy Deactivate
Malicious Call Trace	Override
Ring Again Activate	Ring Again Deactivate
Speed Call User	System Speed Call User

P0942072

Standard

Issue 1.00

NORTEL
NETWORKS

Meridian Digital Telephones

M3901 Quick Reference Card



Nortel Meridian Manual

Xiang Xie



Nortel Meridian Manual:

The book delves into Nortel Meridian Manual. Nortel Meridian Manual is a crucial topic that needs to be grasped by everyone, from students and scholars to the general public. This book will furnish comprehensive and in-depth insights into Nortel Meridian Manual, encompassing both the fundamentals and more intricate discussions.

1. This book is structured into several chapters, namely:
 - Chapter 1: Introduction to Nortel Meridian Manual
 - Chapter 2: Essential Elements of Nortel Meridian Manual
 - Chapter 3: Nortel Meridian Manual in Everyday Life
 - Chapter 4: Nortel Meridian Manual in Specific Contexts
 - Chapter 5: Conclusion
2. In chapter 1, the author will provide an overview of Nortel Meridian Manual. The first chapter will explore what Nortel Meridian Manual is, why Nortel Meridian Manual is vital, and how to effectively learn about Nortel Meridian Manual.
3. In chapter 2, this book will delve into the foundational concepts of Nortel Meridian Manual. This chapter will elucidate the essential principles that must be understood to grasp Nortel Meridian Manual in its entirety.
4. In chapter 3, this book will examine the practical applications of Nortel Meridian Manual in daily life. This chapter will showcase real-world examples of how Nortel Meridian Manual can be effectively utilized in everyday scenarios.
5. In chapter 4, this book will scrutinize the relevance of Nortel Meridian Manual in specific contexts. This chapter will explore how Nortel Meridian Manual is applied in specialized fields, such as education, business, and technology.
6. In chapter 5, the author will draw a conclusion about Nortel Meridian Manual. This chapter will summarize the key points that have been discussed throughout the book.

This book is crafted in an easy-to-understand language and is complemented by engaging illustrations. It is highly recommended for anyone seeking to gain a comprehensive understanding of Nortel Meridian Manual.

<https://crm.avenza.com/data/virtual-library/HomePages/service%20manual%20for%20incubators.pdf>

Table of Contents Nortel Meridian Manual

1. Understanding the eBook Nortel Meridian Manual

- The Rise of Digital Reading Nortel Meridian Manual
 - Advantages of eBooks Over Traditional Books
2. Identifying Nortel Meridian Manual
 - Exploring Different Genres
 - Considering Fiction vs. Non-Fiction
 - Determining Your Reading Goals
 3. Choosing the Right eBook Platform
 - Popular eBook Platforms
 - Features to Look for in an Nortel Meridian Manual
 - User-Friendly Interface
 4. Exploring eBook Recommendations from Nortel Meridian Manual
 - Personalized Recommendations
 - Nortel Meridian Manual User Reviews and Ratings
 - Nortel Meridian Manual and Bestseller Lists
 5. Accessing Nortel Meridian Manual Free and Paid eBooks
 - Nortel Meridian Manual Public Domain eBooks
 - Nortel Meridian Manual eBook Subscription Services
 - Nortel Meridian Manual Budget-Friendly Options
 6. Navigating Nortel Meridian Manual eBook Formats
 - ePub, PDF, MOBI, and More
 - Nortel Meridian Manual Compatibility with Devices
 - Nortel Meridian Manual Enhanced eBook Features
 7. Enhancing Your Reading Experience
 - Adjustable Fonts and Text Sizes of Nortel Meridian Manual
 - Highlighting and Note-Taking Nortel Meridian Manual
 - Interactive Elements Nortel Meridian Manual
 8. Staying Engaged with Nortel Meridian Manual
 - Joining Online Reading Communities
 - Participating in Virtual Book Clubs
 - Following Authors and Publishers Nortel Meridian Manual

9. Balancing eBooks and Physical Books Nortel Meridian Manual
 - Benefits of a Digital Library
 - Creating a Diverse Reading Collection Nortel Meridian Manual
10. Overcoming Reading Challenges
 - Dealing with Digital Eye Strain
 - Minimizing Distractions
 - Managing Screen Time
11. Cultivating a Reading Routine Nortel Meridian Manual
 - Setting Reading Goals Nortel Meridian Manual
 - Carving Out Dedicated Reading Time
12. Sourcing Reliable Information of Nortel Meridian Manual
 - Fact-Checking eBook Content of Nortel Meridian Manual
 - Distinguishing Credible Sources
13. Promoting Lifelong Learning
 - Utilizing eBooks for Skill Development
 - Exploring Educational eBooks
14. Embracing eBook Trends
 - Integration of Multimedia Elements
 - Interactive and Gamified eBooks

Nortel Meridian Manual Introduction

In the digital age, access to information has become easier than ever before. The ability to download Nortel Meridian Manual has revolutionized the way we consume written content. Whether you are a student looking for course material, an avid reader searching for your next favorite book, or a professional seeking research papers, the option to download Nortel Meridian Manual has opened up a world of possibilities. Downloading Nortel Meridian Manual provides numerous advantages over physical copies of books and documents. Firstly, it is incredibly convenient. Gone are the days of carrying around heavy textbooks or bulky folders filled with papers. With the click of a button, you can gain immediate access to valuable resources on any device. This convenience allows for efficient studying, researching, and reading on the go. Moreover, the cost-effective nature of downloading Nortel Meridian Manual has democratized knowledge. Traditional books and academic journals can be expensive, making it difficult for individuals with limited financial resources to access

information. By offering free PDF downloads, publishers and authors are enabling a wider audience to benefit from their work. This inclusivity promotes equal opportunities for learning and personal growth. There are numerous websites and platforms where individuals can download Nortel Meridian Manual. These websites range from academic databases offering research papers and journals to online libraries with an expansive collection of books from various genres. Many authors and publishers also upload their work to specific websites, granting readers access to their content without any charge. These platforms not only provide access to existing literature but also serve as an excellent platform for undiscovered authors to share their work with the world. However, it is essential to be cautious while downloading Nortel Meridian Manual. Some websites may offer pirated or illegally obtained copies of copyrighted material. Engaging in such activities not only violates copyright laws but also undermines the efforts of authors, publishers, and researchers. To ensure ethical downloading, it is advisable to utilize reputable websites that prioritize the legal distribution of content. When downloading Nortel Meridian Manual, users should also consider the potential security risks associated with online platforms. Malicious actors may exploit vulnerabilities in unprotected websites to distribute malware or steal personal information. To protect themselves, individuals should ensure their devices have reliable antivirus software installed and validate the legitimacy of the websites they are downloading from. In conclusion, the ability to download Nortel Meridian Manual has transformed the way we access information. With the convenience, cost-effectiveness, and accessibility it offers, free PDF downloads have become a popular choice for students, researchers, and book lovers worldwide. However, it is crucial to engage in ethical downloading practices and prioritize personal security when utilizing online platforms. By doing so, individuals can make the most of the vast array of free PDF resources available and embark on a journey of continuous learning and intellectual growth.

FAQs About Nortel Meridian Manual Books

What is a Nortel Meridian Manual PDF? A PDF (Portable Document Format) is a file format developed by Adobe that preserves the layout and formatting of a document, regardless of the software, hardware, or operating system used to view or print it. **How do I create a Nortel Meridian Manual PDF?** There are several ways to create a PDF: Use software like Adobe Acrobat, Microsoft Word, or Google Docs, which often have built-in PDF creation tools. Print to PDF: Many applications and operating systems have a "Print to PDF" option that allows you to save a document as a PDF file instead of printing it on paper. Online converters: There are various online tools that can convert different file types to PDF. **How do I edit a Nortel Meridian Manual PDF?** Editing a PDF can be done with software like Adobe Acrobat, which allows direct editing of text, images, and other elements within the PDF. Some free tools, like PDFescape or Smallpdf, also offer basic editing capabilities. **How do I convert a Nortel Meridian Manual PDF to another file format?** There are multiple ways

to convert a PDF to another format: Use online converters like Smallpdf, Zamzar, or Adobe Acrobats export feature to convert PDFs to formats like Word, Excel, JPEG, etc. Software like Adobe Acrobat, Microsoft Word, or other PDF editors may have options to export or save PDFs in different formats. **How do I password-protect a Nortel Meridian Manual PDF?** Most PDF editing software allows you to add password protection. In Adobe Acrobat, for instance, you can go to "File" -> "Properties" -> "Security" to set a password to restrict access or editing capabilities. Are there any free alternatives to Adobe Acrobat for working with PDFs? Yes, there are many free alternatives for working with PDFs, such as: LibreOffice: Offers PDF editing features. PDFsam: Allows splitting, merging, and editing PDFs. Foxit Reader: Provides basic PDF viewing and editing capabilities. How do I compress a PDF file? You can use online tools like Smallpdf, ILovePDF, or desktop software like Adobe Acrobat to compress PDF files without significant quality loss. Compression reduces the file size, making it easier to share and download. Can I fill out forms in a PDF file? Yes, most PDF viewers/editors like Adobe Acrobat, Preview (on Mac), or various online tools allow you to fill out forms in PDF files by selecting text fields and entering information. Are there any restrictions when working with PDFs? Some PDFs might have restrictions set by their creator, such as password protection, editing restrictions, or print restrictions. Breaking these restrictions might require specific software or tools, which may or may not be legal depending on the circumstances and local laws.

Find Nortel Meridian Manual :

service manual for incubators

~~service manual for gambro phoenix~~

~~service manual gateway w350a~~

service manual for lincoln town car

~~service manual liugong~~

service manual honda forza 250

service manual jeep grand cherokee zj 97

service manual harley davidson street glide

service manual hitachi dp14g 17 53uw10b projection color television

~~service manual for kubota b26~~

service manual lg ke970 shine

service manual mitsubishi engines 6g72

service manual monza

service manual for hp 2020 desktop computer

service manual hitachi cp x201 cp x301 multimedia lcd projector

Nortel Meridian Manual :

abenteuer informatik it zum anfassen von routenpl - May 29 2022

web abenteuer informatik it zum anfassen von routenpl downloaded from api calvertfoundation org by guest barron sage teaching fundamental concepts of

abenteuer informatik it zum anfassen von routenplaner bis - Aug 12 2023

web may 29 2012 das buch ist für alle da die schon immer mal hinter die kulissen der wissenschaft informatik schauen wollten vom schüler zum lehrer vom studenten

abenteuer informatik it zum anfassen für alle von 9 bis - Jul 11 2023

web abenteuer informatik it zum anfassen für alle von 9 bis 99 vom navi bis social media home book authors jens gallenbacher das mitmachbuch zur informatik ganz ohne

abenteuer informatik it zum anfassen von routenpl download - Dec 24 2021

web abenteuer informatik sep 08 2021 autor jens gallenbacher titel abenteuer informatik untertitel it zum anfassen von routenplaner bis online banking hl das

abenteuer informatik it zum anfassen von routenpl robin - Mar 07 2023

web statement abenteuer informatik it zum anfassen von routenpl as well as evaluation them wherever you are now qcd and heavy quarks i i bigi 2015 the book collects a

abenteuer informatik it zum anfassen von routenpl pdf - Jun 29 2022

web jun 14 2023 as this abenteuer informatik it zum anfassen von routenpl it ends stirring physical one of the favored book abenteuer informatik it zum anfassen von routenpl

abenteuer informatik it zum anfassen von routenpl pdf mail - Nov 22 2021

web 2 abenteuer informatik it zum anfassen von routenpl 2022 03 31 denken zu tun hat als mit computern verzichtet er dabei weitgehend auf den einsatz der geräte seine

abenteuer informatik it zum anfassen für alle von 9 bis 99 - Jan 05 2023

web abenteuer informatik it zum anfassen für alle von 9 bis 99 vom navi bis social media language german description de vorbereitungsliteratur für den aufnahmetest

abenteuer informatik it zum anfassen von routenpl pdf - Apr 27 2022

web times for their favorite books as soon as this abenteuer informatik it zum anfassen von routenpl but stop stirring in harmful downloads rather than enjoying a good pdf

[abenteuer informatik it zum anfassn von routenpl pdf edwin](#) - Feb 23 2022

web it is your completely own mature to play act reviewing habit in the middle of guides you could enjoy now is abenteuer informatik it zum anfassn von routenpl pdf below

[read free abenteuer informatik it zum anfassn von routenpl](#) - Nov 03 2022

web und ohne werbung aus dem internet abrufen können um mit ihnen zu experimentieren das buch ist für alle da die schon immer mal hinter die kulissen der wissenschaft

abenteuer informatik it zum anfassn von - Sep 13 2023

web abenteuer informatik it zum anfassn von routenplaner bis online banking gallenbacher jens isbn 9783827419262 kostenloser versand für alle bücher mit

abenteuer informatik it zum anfassn für alle von 9 bis 99 - Feb 06 2023

web abenteuer informatik it zum anfassn für alle von 9 bis 99 vom navi bis social media gallenbacher jens isbn 9783662539644 kostenloser versand für alle bücher mit

abenteuer informatik it zum anfassn von routenpl günter grass - Jul 31 2022

web abenteuer informatik it zum anfassn von routenpl is available in our book collection an online access to it is set as public so you can get it instantly our books collection

[abenteuer informatik it zum anfassn von routenpl pdf](#) - Oct 02 2022

web apr 9 2023 likewise complete not discover the declaration abenteuer informatik it zum anfassn von routenpl that you are looking for it will definitely squander the time

informatik als abenteuer unterrichtsmaterial grundschule - Dec 04 2022

web praktisch für den unterricht das neue angebot informatik als abenteuer versorgt euch mit kostenlosem unterrichtsmaterial zu digitalen themen nutzt es für schüler innen der

[abenteuer informatik it zum anfassn von routenpl pdf](#) - Jan 25 2022

web comprehending as skillfully as promise even more than other will have enough money each success adjacent to the message as without difficulty as keenness of this abenteuer

[abenteuer informatik it zum anfassn von routenpl pdf](#) - Mar 27 2022

web sep 12 2023 abenteuer informatik it zum anfassn von routenpl 1 11 downloaded from uniport edu ng on september 12 2023 by guest abenteuer informatik it zum

abenteuer informatik it zum anfassn von routenplaner bis - Apr 08 2023

web abenteuer informatik it zum anfassn von routenplaner abenteuer informatik it zum anfassn von routenplaner abenteuer informatik jul 26 2012 edition open library

abenteuer informatik it zum anfassn von routenplaner bis - Oct 14 2023

web mengenrabatte business preise und mehr für unternehmen abenteuer informatik it zum anfassn von routenplaner bis online banking gallenbacher jens isbn

abenteuer informatik it zum anfassn von routenpl - May 09 2023

web abenteuer informatik aug 09 2023 autor jens gallenbacher titel abenteuer informatik untertitel it zum anfassn von routenplaner bis online banking hl das

abenteuer informatik it zum anfassn von routenplaner bis - Jun 10 2023

web jan 1 2008 autor jens gallenbacher titel abenteuer informatik untertitel it zum anfassn von routenplaner bis online banking hl das erste mitmachbuch zur

abenteuer informatik - Sep 01 2022

web we would like to show you a description here but the site won t allow us

selected poems penguin random house - May 11 2023

web though universally acclaimed for his dazzling fictions jorge luis borges always considered himself first and foremost a poet this new bilingual selection brings together some two hundred poems including scores of poems never previously translated

selected poems by marianne moore academy of american poets - Jan 07 2023

web selected poems includes many of her best loved poems including the jerboa no swan so fine the steeple jack and to a snail also included in the volume is her famous lyric poetry which begins i too dislike it reading it however with a perfect contempt for it one discovers in it after all a place for the genuine

selected poems penguin random house - Aug 02 2022

web selected poems is an extraordinary collection that traces the powerful inner life of this influential poet who crafted poems of protest who longed for a newer happier age and who wrote with a profound lyricism that reaches deep into the heart of the reader

selected poems walcott derek baugh edward amazon sg - Apr 29 2022

web drawing from every stage of his career derek walcott s selected poems brings together famous pieces from his early volumes including a far cry from africa and a city s death by fire with passages from the celebrated omeros and selections from his latest major works which extend his contributions to reenergizing the contemporary long poem

10 of the most beautiful poems in the english language - Feb 08 2023

web may 27 2020 selected by dr oliver tearle what are the most beautiful poems in english verse there are many mellifluous melodic and pleasingly arranged poems in english literature so picking ten was always going to be a tough call

[amazon com selected poems 9780060882969 brooks](#) - Sep 03 2022

web jul 3 2006 selected poems is the classic volume by the distinguished and celebrated poet gwendolyn brooks winner of the 1950 pulitzer prize and recipient of the national book foundation medal for distinguished contribution to american letters

[selected poems by william wordsworth 9780140424423](#) - Jul 13 2023

web this volume contains a rich selection from the most creative phase of his life including extracts from his masterpiece the prelude and the best loved of his shorter poems such as composed upon westminster bridge tintern abbey i wandered lonely as a cloud lucy gray and michael

selected poems - May 31 2022

web selected poems selected poems about elsewhere open menu close menu selected poems about elsewhere william bronk tom snarsky emily dickinson anthony madrid denise levertov timothy otte george oppen kate colby mary ruele david gorin tomas Šalamun matthew

100 selected poems by e e cummings goodreads - Oct 04 2022

web 100 selected poems e e cummings 4 29 28 693 ratings639 reviews e e cummings is without question one of the major poets of the 20th century and this volume first published in 1959 is indispensable for every lover of modern lyrical verse

langston hughes poetry foundation - Dec 06 2022

web selected poems of gabriela mistral indiana university press 1957 omnibus volumes selected poems knopf 1959 the best of simple hill wang 1961 five plays by langston hughes edited by webster smalley indiana university press 1963 the langston hughes reader braziller 1968 don t you turn back poems edited by lee

[selected poems of w h auden penguin random house](#) - Apr 10 2023

web about selected poems of w h auden this significantly expanded edition of w h auden s selected poems adds twenty poems to the hundred in the original edition broadening its focus to better reflect the enormous wealth of form rhetoric tone and content in auden s work newly included are such favorites as funeral blues and other works

selected poems by e e cummings goodreads - Feb 25 2022

web selected poems e e cummings richard s kennedy editor 4 22 13 861 ratings360 reviews the one hundred and fifty six poems here arranged in twelve sections and introduced by e e cummings s biographer include his most popular poems spanning his earliest creations his vivacious linguistic acrobatics up to his last valedictory sonnets

[selected poems verlaine paul 1844 1896 archive org](#) - Nov 05 2022

web oct 9 2021 xx 228 pages 23 cm contains translations of select poems by the french author paul verlaine french and english on opposite pages includes bibliographical references pages 227 228

[selected poems by langston hughes goodreads](#) - Sep 15 2023

web mashing up poems written across his decades long career as a writer langston hughes s selected poems is a montage of fast moving images that alternately capture the melancholy and the resilience of black social life in america during the
selected poems by gwendolyn brooks goodreads - Oct 16 2023

web 2 596 ratings 212 reviews selected poems is the classic volume by the distinguished and celebrated poet gwendolyn brooks winner of the 1950 pulitzer prize and recipient of the national book foundation medal for distinguished contribution to american letters

selected poems by t s eliot goodreads - Jun 12 2023

web this selection made by eliot himself comprises some of his most iconic work the waste land the prufrock and sweeney poems with their opposing representations of masculinity in the world the hollow men with its epigraph from conrad s heart of darkness and the conspicuously christian ash wednesday

selected poems by emily dickinson goodreads - Aug 14 2023

web this miniature book contains 65 selected poems written by emily dickinson between the years 1858 and 1865 emily an educated american woman from amherst massachusetts lived an eccentric reclusive life only anonymously publishing less than a dozen of the 1 175 poems she authored

selected poems macmillan - Jul 01 2022

web apr 28 2005 the first selected poems of a major poet who wrote with more heart than any other north american poet of the twentieth century rodney jones parnassus more than any other poet of his generation james wright spoke to the great sadness and hope that are inextricable from the iconography of america its rail yards rivers cities

selected poems penguin random house higher education - Mar 09 2023

web mar 29 2005 this volume contains a rich selection from the most creative phase of his life including extracts from his masterpiece the prelude and the best loved of his shorter poems such as composed upon westminster bridge tintern abbey i wandered lonely as a cloud lucy gray and michael

new and selected poems wikipedia - Mar 29 2022

web new and selected poems can refer to new and selected poems a 1992 collection of poems by mary oliver volume two with the same title was released in 2005 new and selected poems a 2004 collection of poems by czesław miłosz new and selected poems a 2005 collection of poems by samuel menashe

bled 900 dicta c es primaire pdf uniport edu - Jul 23 2022

web jun 26 2023 merely said the bled 900 dicta c es primaire is universally compatible with any devices to read great britain s true system malachy postlethwayt 2016 05 06 this

bled 900 dictées primaire by daniel berlion assets docseducation - Mar 31 2023

web acquire this bled 900 dictées primaire by daniel berlion after acquiring offer thus simple so are you question merely train just what we meet the expense of under as skillfully

bled 900 dicta c es primaire help environment harvard edu - Dec 28 2022

web one merely said the bled 900 dicta c es primaire is universally compatible once any devices to read the universal dictionary of trade and commerce malachy

bled 900 dictées primaire berlion daniel amazon ca books - Feb 27 2023

web select the department you want to search in

bled 900 dictées primaire berlion daniel 9782017151029 - Jul 03 2023

web abebooks com bled 900 dictées primaire 9782017151029 by berlion daniel and a great selection of similar new used and collectible books available now at great prices

bled 900 dictées primaire by daniel berlion orientation sutd edu - Oct 06 2023

web you cannot be perplexed to enjoy every book gatherings bled 900 dictées primaire by daniel berlion that we will certainly offer we settle for bled 900 dictées primaire by

bled 900 dictées primaire by daniel berlion online kptm edu - Sep 24 2022

web bled 900 dictées primaire by daniel berlion as one of the bulk functioning sellers here will thoroughly be associated with by the best selections to review so once you necessity

bled 900 dicta c es primaire pdf stage gapinc - May 01 2023

web bled 900 dicta c es primaire downloaded from stage gapinc com by guest evelin brandt bursting the bubble rationality in a seemingly irrational market columbia

le bled 900 dictées primaire du ce1 au cm2 french edition - Jan 29 2023

web le bled 900 dictées primaire du ce1 au cm2 french edition daniel berlion amazon sg books

bled 900 dictees primaire du ce1 au cm2 paperback amazon - Sep 05 2023

web bled 900 dictees primaire du ce1 au cm2 berlion daniel amazon sg books skip to main content sg hello select your address all search amazon sg en hello sign in

bled 900 dictées primaire french edition softcover abebooks - Aug 04 2023

web bled 900 dictées primaire french edition by berlion daniel isbn 10 2017012084 isbn 13 9782017012085 hachette educ 2017 softcover

bled 900 dicta c es primaire portal sombridge edu so - Nov 26 2022

web bled 900 dicta c es primaire f galli tractatus de fructibus nunc in lucem editus a b gallo ejus filio cum summaris et indicibus c 300 1215 feb 25 2021 an

bled press toute l info du bled - Jan 17 2022

web aug 24 2023 toute l info du bled toute l info du bled dimanche novembre 5 2023 breaking news le stockage ou l accès technique est strictement nécessaire dans la

download free bled 900 dicta c es primaire - May 21 2022

web bled 900 dicta c es primaire l authenticité c est possible jan 19 2023 essai sur la statistique générale de la belgique composé sur des documents publics et particuliers

bled 900 dictées primaire by daniel berlion housing gov - Jun 21 2022

web we pay for bled 900 dictées primaire by daniel berlion and various books archives from fictions to scientific researchh in any way in some cases you also succeed

bled 900 dictées primaire by daniel berlion bueng - Nov 14 2021

web jun 4 2023 you could rapidly fetch this bled 900 dictées primaire by daniel berlion after receiving discount bled 900 dictées primaire by daniel berlion is

bled 900 dictées primaire bled primaire by daniel berlion - Jun 02 2023

web Édition mise en conformité avec les nouveaux programmes de l école primaire les 60 règles d orthographe grammaire et conjugaison essentielles pour l école primaire

communication system terminal elektronika - Feb 15 2022

web c effective coupling micro lens spotlight d max consumption power 100mw 2 with amplified gain restoring sharpness circuit 1 chip set avr8515 8bits 8mhz crystal

bled 900 dictées primaire by daniel berlion - Aug 24 2022

web bled 900 dictées primaire by daniel berlion bled 900 dictées primaire by daniel berlion the teaching and cultivation of the french language in revue de champagne et de

bled 900 dictées primaire by daniel berlion banpaen - Oct 26 2022

web in the path of them is this bled 900 dictées primaire by daniel berlion that can be your companion along with manuals you could indulge in the present is bled 900

bermad irrigation - Mar 19 2022

web the bermad model ir 900 d is a unique product integrating both a vertical turbine woltman type water meter and a pilot operated diaphragm actuated control valve with a

arabic text with urdu and english translation surah al balad - Apr 19 2022

web allah in the name of the most affectionate the merciful i swear by this city 1 and o beloved you are dwelling in this city 2 and by your father ibrahim and his progeny that

deen dayal upadhyaya gorakhpur university - Dec 16 2021

web semester 1st paper qaseeoa aur naat course code ur 02 credits 5 lecturestutorials 90 unit i unit 2 unit 3 unit 4 unit 5