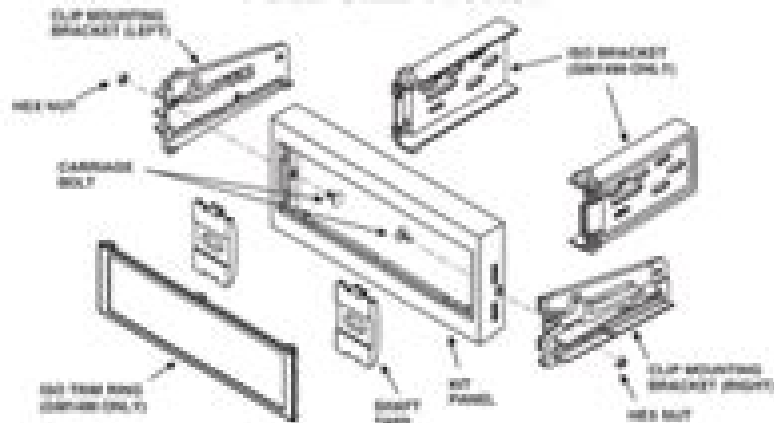


IN-DASH INSTALLATION KIT FOR 1999-UP GENERAL MOTORS FULL SIZE PICKUP



FACTORY WIRE CODES

NOTE: 1-10 wire codes are located on the back of the plug with the wires exiting the rear. Use these wiring codes as a guide. Your vehicle might differ.

1999-UP GENERAL MOTORS

BLACK - POWER

- 1 - GROUND
- 2 - POWER
- 3 - ILLUMINATION
- 4 - POWER ANTENNA
- 5 - +12V SWITCHES, IGNITION
- 6 - 12V CONSTANT BATTERY

(Vehicles equipped with "mini-type" connectors)

WHITE - FRONT SPEAKERS

- 1 - LEFT FRONT NEGATIVE
- 2 - LEFT FRONT POSITIVE
- 3 - RIGHT REAR POSITIVE
- 4 - RIGHT REAR NEGATIVE

BLUE - REAR SPEAKERS

- 1 - LEFT REAR POSITIVE
- 2 - LEFT REAR NEGATIVE
- 3 - RIGHT FRONT NEGATIVE
- 4 - RIGHT FRONT POSITIVE



NOTE: The following connectors are available to easily plug your new stereo cassette/deck player into the factory harness.

PART #	DESCRIPTION
GM22	1999-UP General Motors Vehicles Plug-in Car Harness
MDA-1	MicroDelco Antenna Adapter

STEREO INSTALLATION KIT PREPARATION

GM1485 KIT

SHAFT RADIO (ILLUSTRATION A)

1. Attach the left and right side brackets to the mounting panel with the carriage bolts provided.
2. Snap the supplied shaft support tabs into the radio opening and mount the stereo as shown.

ISO RADIO WITH MOUNTING SLEEVE (ILLUSTRATION B)

1. Attach the left and right side brackets to the mounting panel with the carriage bolts provided with the carriage bolts provided.
2. Secure stereo to kit as shown.



ILLUSTRATION A

CAUTION: REAR SUPPORT IS ESSENTIAL TO THE INSTALLATION'S STRUCTURAL INTEGRITY.



ILLUSTRATION B

GM1486 KIT

ISO BRACKET ISO RADIO WITH ISO MOUNTING HOLES (ILLUSTRATION C)

1. Attach the left and right side brackets to the mounting panel with the carriage bolts provided.
2. Snap the ISO mounting brackets to the back of the mounting panel (1 left and 1 right). For additional support, the ISO brackets can be bolted to the back of the kit panel in four locations with supplied screws.
3. Insert the ISO trim ring into the front of the kit.
4. Release and remove mounting sleeve from radio.



ILLUSTRATION C

5. Load the MicroDelco radio into the REAR of the mounting panel until the recesses of the radio comes through the front of the kit.
6. Adjust the radio to the opening as desired and use the short screws provided from the stereo manufacturer to secure the radio as shown.

RADIO REMOVAL

RADIO REMOVAL:

1. Engage parking brake.
2. Place key in ignition and depress brake to shift vehicle in to lowest gear. This will allow the gear shift pin to be out of the way.
3. Carefully pull out on dash instrument (radio dash bezel) to release spring clips, unplug connectors and remove panel.
4. Compress the two plastic side radio mounting clips, slide radio out of dash, unplug connectors and remove radio.

Notes: Use caution when removing the dash bezel over the hazard switch. The hazard switch may need to be pushed down so it to activate the hazard lights to allow the bezel to slide over it.

Note (2): It is recommended that you use the Scosche GM22 factory connector and the MDA-1 antenna adapter to eliminate the need to cut any of the factory plugs.

Scosche Dash Kit Bonneville 96 Instructions

Yi-Tong Ma



Scosche Dash Kit Bonneville 96 Instructions:

Delve into the emotional tapestry woven by Emotional Journey with in Dive into the Emotion of **Scosche Dash Kit Bonneville 96 Instructions** . This ebook, available for download in a PDF format (Download in PDF: *), is more than just words on a page; it is a journey of connection and profound emotion. Immerse yourself in narratives that tug at your heartstrings. Download now to experience the pulse of each page and let your emotions run wild.

https://crm.avenza.com/About/virtual-library/HomePages/Owners_Manual_Qashqai.pdf

Table of Contents Scosche Dash Kit Bonneville 96 Instructions

1. Understanding the eBook Scosche Dash Kit Bonneville 96 Instructions
 - The Rise of Digital Reading Scosche Dash Kit Bonneville 96 Instructions
 - Advantages of eBooks Over Traditional Books
2. Identifying Scosche Dash Kit Bonneville 96 Instructions
 - Exploring Different Genres
 - Considering Fiction vs. Non-Fiction
 - Determining Your Reading Goals
3. Choosing the Right eBook Platform
 - Popular eBook Platforms
 - Features to Look for in an Scosche Dash Kit Bonneville 96 Instructions
 - User-Friendly Interface
4. Exploring eBook Recommendations from Scosche Dash Kit Bonneville 96 Instructions
 - Personalized Recommendations
 - Scosche Dash Kit Bonneville 96 Instructions User Reviews and Ratings
 - Scosche Dash Kit Bonneville 96 Instructions and Bestseller Lists
5. Accessing Scosche Dash Kit Bonneville 96 Instructions Free and Paid eBooks
 - Scosche Dash Kit Bonneville 96 Instructions Public Domain eBooks
 - Scosche Dash Kit Bonneville 96 Instructions eBook Subscription Services
 - Scosche Dash Kit Bonneville 96 Instructions Budget-Friendly Options

6. Navigating Scosche Dash Kit Bonneville 96 Instructions eBook Formats
 - ePub, PDF, MOBI, and More
 - Scosche Dash Kit Bonneville 96 Instructions Compatibility with Devices
 - Scosche Dash Kit Bonneville 96 Instructions Enhanced eBook Features
7. Enhancing Your Reading Experience
 - Adjustable Fonts and Text Sizes of Scosche Dash Kit Bonneville 96 Instructions
 - Highlighting and Note-Taking Scosche Dash Kit Bonneville 96 Instructions
 - Interactive Elements Scosche Dash Kit Bonneville 96 Instructions
8. Staying Engaged with Scosche Dash Kit Bonneville 96 Instructions
 - Joining Online Reading Communities
 - Participating in Virtual Book Clubs
 - Following Authors and Publishers Scosche Dash Kit Bonneville 96 Instructions
9. Balancing eBooks and Physical Books Scosche Dash Kit Bonneville 96 Instructions
 - Benefits of a Digital Library
 - Creating a Diverse Reading Collection Scosche Dash Kit Bonneville 96 Instructions
10. Overcoming Reading Challenges
 - Dealing with Digital Eye Strain
 - Minimizing Distractions
 - Managing Screen Time
11. Cultivating a Reading Routine Scosche Dash Kit Bonneville 96 Instructions
 - Setting Reading Goals Scosche Dash Kit Bonneville 96 Instructions
 - Carving Out Dedicated Reading Time
12. Sourcing Reliable Information of Scosche Dash Kit Bonneville 96 Instructions
 - Fact-Checking eBook Content of Scosche Dash Kit Bonneville 96 Instructions
 - Distinguishing Credible Sources
13. Promoting Lifelong Learning
 - Utilizing eBooks for Skill Development
 - Exploring Educational eBooks
14. Embracing eBook Trends
 - Integration of Multimedia Elements

- Interactive and Gamified eBooks

Scosche Dash Kit Bonneville 96 Instructions Introduction

Free PDF Books and Manuals for Download: Unlocking Knowledge at Your Fingertips In today's fast-paced digital age, obtaining valuable knowledge has become easier than ever. Thanks to the internet, a vast array of books and manuals are now available for free download in PDF format. Whether you are a student, professional, or simply an avid reader, this treasure trove of downloadable resources offers a wealth of information, conveniently accessible anytime, anywhere. The advent of online libraries and platforms dedicated to sharing knowledge has revolutionized the way we consume information. No longer confined to physical libraries or bookstores, readers can now access an extensive collection of digital books and manuals with just a few clicks. These resources, available in PDF, Microsoft Word, and PowerPoint formats, cater to a wide range of interests, including literature, technology, science, history, and much more. One notable platform where you can explore and download free Scosche Dash Kit Bonneville 96 Instructions PDF books and manuals is the internet's largest free library. Hosted online, this catalog compiles a vast assortment of documents, making it a veritable goldmine of knowledge. With its easy-to-use website interface and customizable PDF generator, this platform offers a user-friendly experience, allowing individuals to effortlessly navigate and access the information they seek. The availability of free PDF books and manuals on this platform demonstrates its commitment to democratizing education and empowering individuals with the tools needed to succeed in their chosen fields. It allows anyone, regardless of their background or financial limitations, to expand their horizons and gain insights from experts in various disciplines. One of the most significant advantages of downloading PDF books and manuals lies in their portability. Unlike physical copies, digital books can be stored and carried on a single device, such as a tablet or smartphone, saving valuable space and weight. This convenience makes it possible for readers to have their entire library at their fingertips, whether they are commuting, traveling, or simply enjoying a lazy afternoon at home. Additionally, digital files are easily searchable, enabling readers to locate specific information within seconds. With a few keystrokes, users can search for keywords, topics, or phrases, making research and finding relevant information a breeze. This efficiency saves time and effort, streamlining the learning process and allowing individuals to focus on extracting the information they need. Furthermore, the availability of free PDF books and manuals fosters a culture of continuous learning. By removing financial barriers, more people can access educational resources and pursue lifelong learning, contributing to personal growth and professional development. This democratization of knowledge promotes intellectual curiosity and empowers individuals to become lifelong learners, promoting progress and innovation in various fields. It is worth noting that while accessing free Scosche Dash Kit Bonneville 96 Instructions PDF books and manuals is convenient and cost-effective, it is vital to respect copyright laws and intellectual property rights. Platforms offering free

downloads often operate within legal boundaries, ensuring that the materials they provide are either in the public domain or authorized for distribution. By adhering to copyright laws, users can enjoy the benefits of free access to knowledge while supporting the authors and publishers who make these resources available. In conclusion, the availability of Scosche Dash Kit Bonneville 96 Instructions free PDF books and manuals for download has revolutionized the way we access and consume knowledge. With just a few clicks, individuals can explore a vast collection of resources across different disciplines, all free of charge. This accessibility empowers individuals to become lifelong learners, contributing to personal growth, professional development, and the advancement of society as a whole. So why not unlock a world of knowledge today? Start exploring the vast sea of free PDF books and manuals waiting to be discovered right at your fingertips.

FAQs About Scosche Dash Kit Bonneville 96 Instructions Books

1. Where can I buy Scosche Dash Kit Bonneville 96 Instructions books? Bookstores: Physical bookstores like Barnes & Noble, Waterstones, and independent local stores. Online Retailers: Amazon, Book Depository, and various online bookstores offer a wide range of books in physical and digital formats.
2. What are the different book formats available? Hardcover: Sturdy and durable, usually more expensive. Paperback: Cheaper, lighter, and more portable than hardcovers. E-books: Digital books available for e-readers like Kindle or software like Apple Books, Kindle, and Google Play Books.
3. How do I choose a Scosche Dash Kit Bonneville 96 Instructions book to read? Genres: Consider the genre you enjoy (fiction, non-fiction, mystery, sci-fi, etc.). Recommendations: Ask friends, join book clubs, or explore online reviews and recommendations. Author: If you like a particular author, you might enjoy more of their work.
4. How do I take care of Scosche Dash Kit Bonneville 96 Instructions books? Storage: Keep them away from direct sunlight and in a dry environment. Handling: Avoid folding pages, use bookmarks, and handle them with clean hands. Cleaning: Gently dust the covers and pages occasionally.
5. Can I borrow books without buying them? Public Libraries: Local libraries offer a wide range of books for borrowing. Book Swaps: Community book exchanges or online platforms where people exchange books.
6. How can I track my reading progress or manage my book collection? Book Tracking Apps: Goodreads, LibraryThing, and Book Catalogue are popular apps for tracking your reading progress and managing book collections. Spreadsheets: You can create your own spreadsheet to track books read, ratings, and other details.
7. What are Scosche Dash Kit Bonneville 96 Instructions audiobooks, and where can I find them? Audiobooks: Audio

- recordings of books, perfect for listening while commuting or multitasking. Platforms: Audible, LibriVox, and Google Play Books offer a wide selection of audiobooks.
8. How do I support authors or the book industry? Buy Books: Purchase books from authors or independent bookstores. Reviews: Leave reviews on platforms like Goodreads or Amazon. Promotion: Share your favorite books on social media or recommend them to friends.
 9. Are there book clubs or reading communities I can join? Local Clubs: Check for local book clubs in libraries or community centers. Online Communities: Platforms like Goodreads have virtual book clubs and discussion groups.
 10. Can I read Scosche Dash Kit Bonneville 96 Instructions books for free? Public Domain Books: Many classic books are available for free as they're in the public domain. Free E-books: Some websites offer free e-books legally, like Project Gutenberg or Open Library.

Find Scosche Dash Kit Bonneville 96 Instructions :

owners manual qashqai

oxford solutions intermediate workbook 2nd edition

[owners manual for sony handycam cdr dvd508](#)

[oz the oscar stories book english edition](#)

owners manual suzuki xl7 2009

owners manual for tikka combo shotguns

owners manual for solaris series dynatron 709

oyster and spinach recipe

p1 november grade 10 physics

oyo state biology joint exam answer for ss 2

~~[owners manual for honda civic lx 2010](#)~~

[p139 micom relay manual](#)

owners manual razor e200

owners manual john deere 522 front loader

owners manual for mitsubishi outlander 2009

Scosche Dash Kit Bonneville 96 Instructions :

Spanish 2 Cuaderno de Vocabulario y Gramática - 1st ... Our resource for Expresate!: Spanish 2 Cuaderno de Vocabulario y Gramática includes answers to chapter exercises, as well as detailed information to walk you ... Expresate!: Spanish 2 - 1st Edition - Solutions and Answers Find step-by-step solutions and answers to Expresate!: Spanish 2 - 9780030453229, as well as thousands of textbooks so you can move forward with confidence. Holt spanish 2 answer key: Fill out & sign online Adhere to the instructions below to complete Holt spanish 2 answer key pdf online easily and quickly: Sign in to your account. Sign up with your credentials or ... Get Holt Spanish 2 Answers Pdf 2020-2023 Complete Holt Spanish 2 Answers Pdf 2020-2023 online with US Legal Forms. Easily fill out PDF blank, edit, and sign them. Save or instantly send your ready ... Amazon.com: ¡Expresate!: Spanish 2 (Holt Spanish: Level 2) It packs a lot of information that would take a high schooler 4 years to complete. It is full of colorful images, explanations in English, and teaches a lot. Holt Spanish 2 Expresate! Cuaderno De Vocabulario Book overview. Book by HOLT, RINEHART AND WINSTON. book Within the depths of this emotional review, we will investigate the book is central harmonies, analyze their enthralling writing fashion, and surrender ... Spanish 1 workbook answers - url-aktuell.de Our resource for Asi se Dice! 1 includes answers to chapter exercises, as well as detailed information to walk you through the process step by step. Mcgraw hill spanish 2 workbook answers Holt Spanish 2 workbook Answer Key Capitulo 1 - Joomlaxe. fsu. Author: Schmitt. Exprésate 1 chapter 2 Vocabulario 1 adjectives and some adverbs. CreateSpace ... Husky 9000 Manual Jun 7, 2017 — Main - Husky 9000 Manual - I work for a Not-For-Profit organisation and I run a sewing class. An acquaintance has donated a Husky 9000 sewing machine for ... User manual Husqvarna Huskylock 900 (English - 27 pages) Manual. View the manual for the Husqvarna Huskylock 900 here, for free. This manual comes under the category sewing machines and has been rated by 1 people ... HUSQVARNA HUSKYLOCK 900 HANDBOOK Pdf Download View and Download Husqvarna HUSKYLOCK 900 handbook online. HUSKYLOCK 900 sewing machine pdf manual download. Also for: Huskylock 800. Husqvarna Sewing Machine User Manuals Download Download 107 Husqvarna Sewing Machine PDF manuals. User manuals, Husqvarna Sewing Machine Operating guides and Service manuals ... HUSKYLOCK 900 · Handbook. O. Husqvarna Viking Huskylock 800 900 instruction user manual Husqvarna Viking Huskylock 800 900 overlock sewing machine instruction and user manual, 27 pages. PDF download. Husqvarna Viking Huskylock 800 900 ... DDL-9000C-S INSTRUCTION MANUAL When you have changed the stitch length, feed dog height or feed timing, run the sewing machine at a low speed to make sure that the gauge does not ... USER'S GUIDE For this sewing machine, foot control model. C-9000 manufactured by CHIENHUNG. TAIWAN., LTD must be used. 1. Connect the foot control cord to the bottom socket ... Memory Craft 9000 INSTRUCTIONS. Your sewing machine is designed and constructed only for HOUSEHOLD use. Read all instructions before using this sewing machine. DANGER-To ... Husky Sewing Machine 9000 Manual request or threading ... Mar 25, 2009 — Manuals and free owners instruction pdf guides. Find the user manual and the help you need for the

products you own at ManualsOnline. Honda TRX420FE Manuals We have 3 Honda TRX420FE manuals available for free PDF download: Owner's Manual. Honda TRX420FE Owner's Manual (266 pages). Honda TRX420FE Rancher Online ATV Service Manual Service your Honda TRX420FE Rancher ATV with a Cyclepedia service manual. Get color photographs, wiring diagrams, specifications and detailed procedures. 420 service manual Sep 19, 2010 — Anyone have the 420 service manual in PDF? I've seen the links floating around here but never the 420. I have a 2010 and any help is greatly ... 2012 420 AT Service Manual Aug 29, 2013 — How 'bout the manual for a 2012 rancher manual trans? 2012 Honda Fourtrax 420FM 12" ITP steelies 26" Kenda Bear Claws 2014-2022 Honda TRX420FA & TRX420TM/TE/FM/FE ... This a Genuine, OEM Factory Service Manual. This manual describes the detailed, step-by-step service, repair, troubleshooting & overhaul procedures for 2014 ... Honda TRX420 FourTrax Rancher (FE/FM/TE/TM/FPE/FPM) The Honda TRX420 (FE/FM/TE/TM/FPE/FPM) 2007-2012 Service Manual is the best book for performing service on your ATV. 2010 Honda TRX420FE FourTrax Rancher 4x4 ES Service ... Jul 14, 2018 — Read 2010 Honda TRX420FE FourTrax Rancher 4x4 ES Service Repair Manual by 163215 on Issuu and browse thousands of other publications on our ... Honda TRX420FE Rancher Service Manual 2014-2020 ThisHonda TRX420FE Rancher Service Manual 2014-2020 is published by Cyclepedia Press LLC. Honda TRX420FE Rancher Service Manual 2014-2020 - Table of ... Honda TRX420FE Rancher Service Manual 2014-2020 This professionally written Cyclepedia service manual is perfect for service, repairs, maintenance, and rebuild projects for your Honda TRX420FE Rancher. Clear ...